

US00D570142S

(12) **United States Design Patent**
Lin

(10) **Patent No.:** **US D570,142 S**
(45) **Date of Patent:** **** Jun. 3, 2008**

(54) **BAG DISPENSER**

D507,715 S * 7/2005 Yang et al. D6/515

(75) Inventor: **Tsong-Yow Lin**, Taichung Hsien (TW)

* cited by examiner

(73) Assignee: **Chen Sung Industrial Co., Ltd.**,
Taichung Hsien (TW)

Primary Examiner—Brian N Vinson
(74) *Attorney, Agent, or Firm*—Alan Kamrath; Kamrath &
Associates PA

(**) Term: **14 Years**

(57) **CLAIM**

(21) Appl. No.: **29/298,554**

The ornamental design for bag dispenser, as shown and
described.

(22) Filed: **Dec. 7, 2007**

(51) **LOC (8) Cl.** **20-02**

(52) **U.S. Cl.** **D6/515**

(58) **Field of Classification Search** D6/515-523;
211/13.1, 44, 45, 49.1, 50, 59.2, 86.01, 87.01;
206/554; 221/222, 33, 45, 134, 181-182
See application file for complete search history.

DESCRIPTION

FIG. 1 is a perspective view of a bag dispenser showing my
new design;

FIG. 2 is a front view thereof; the opposite side being a
mirror image of the shown; and

FIG. 3 is a left view thereof;

FIG. 4 is a right view thereof; and

FIG. 5 is a top view thereof; and,

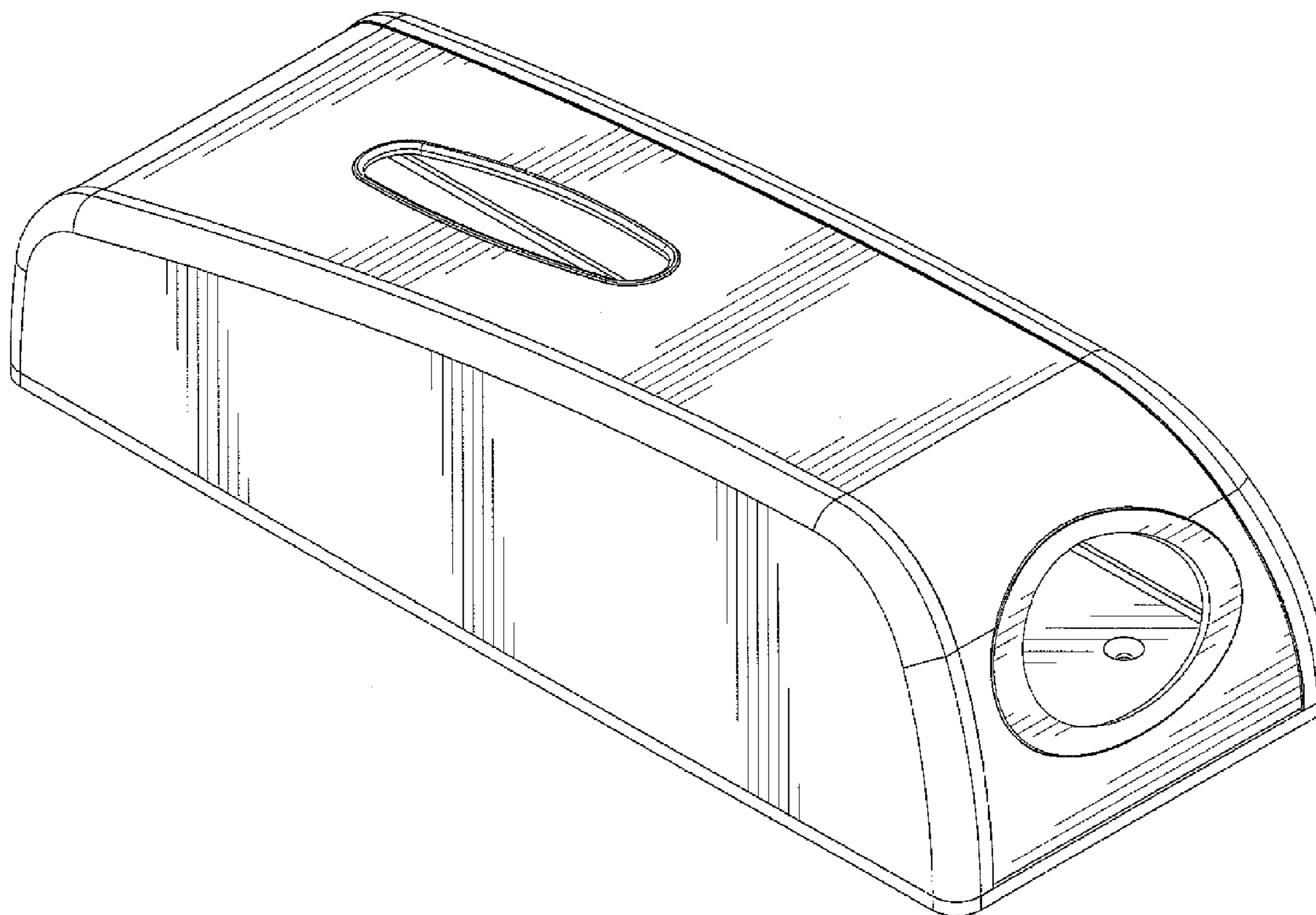
FIG. 6 is a bottom view thereof.

(56) **References Cited**

U.S. PATENT DOCUMENTS

5,368,910 A * 11/1994 Langdon 206/554
D358,325 S * 5/1995 McNaughton D6/515
D482,915 S * 12/2003 Yang et al. D6/515

1 Claim, 4 Drawing Sheets



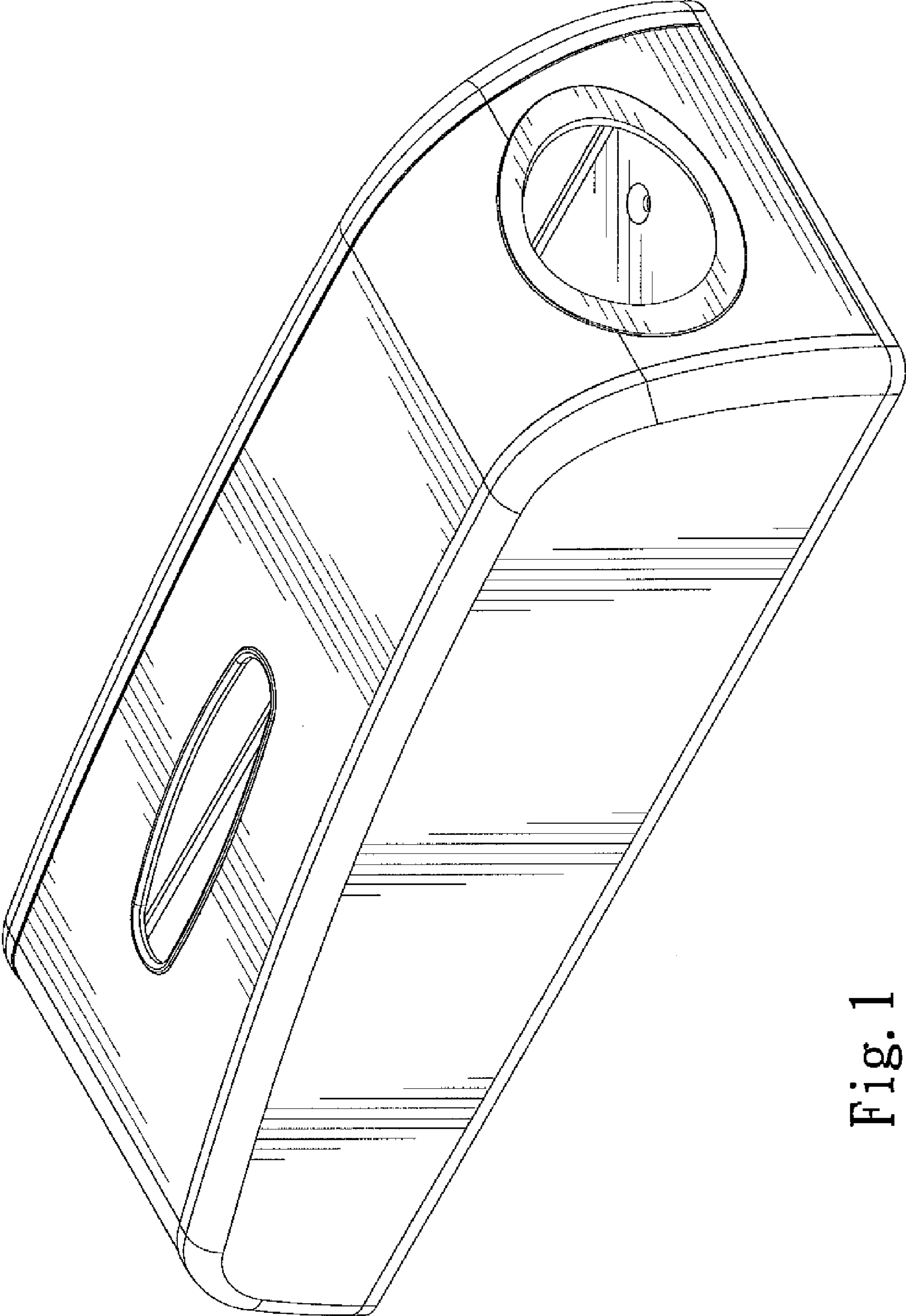


Fig. 1

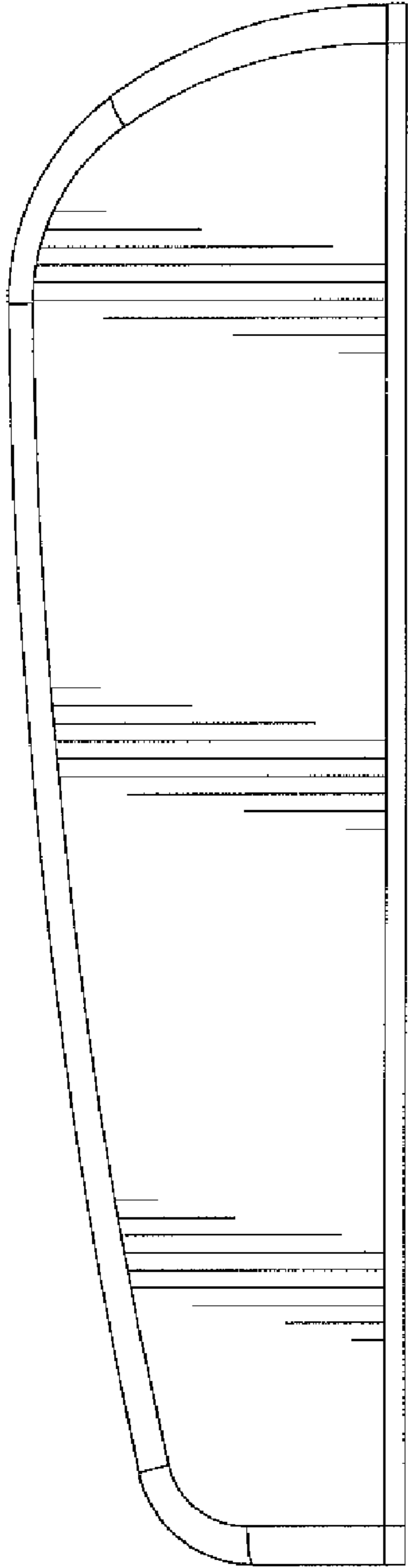


Fig. 2

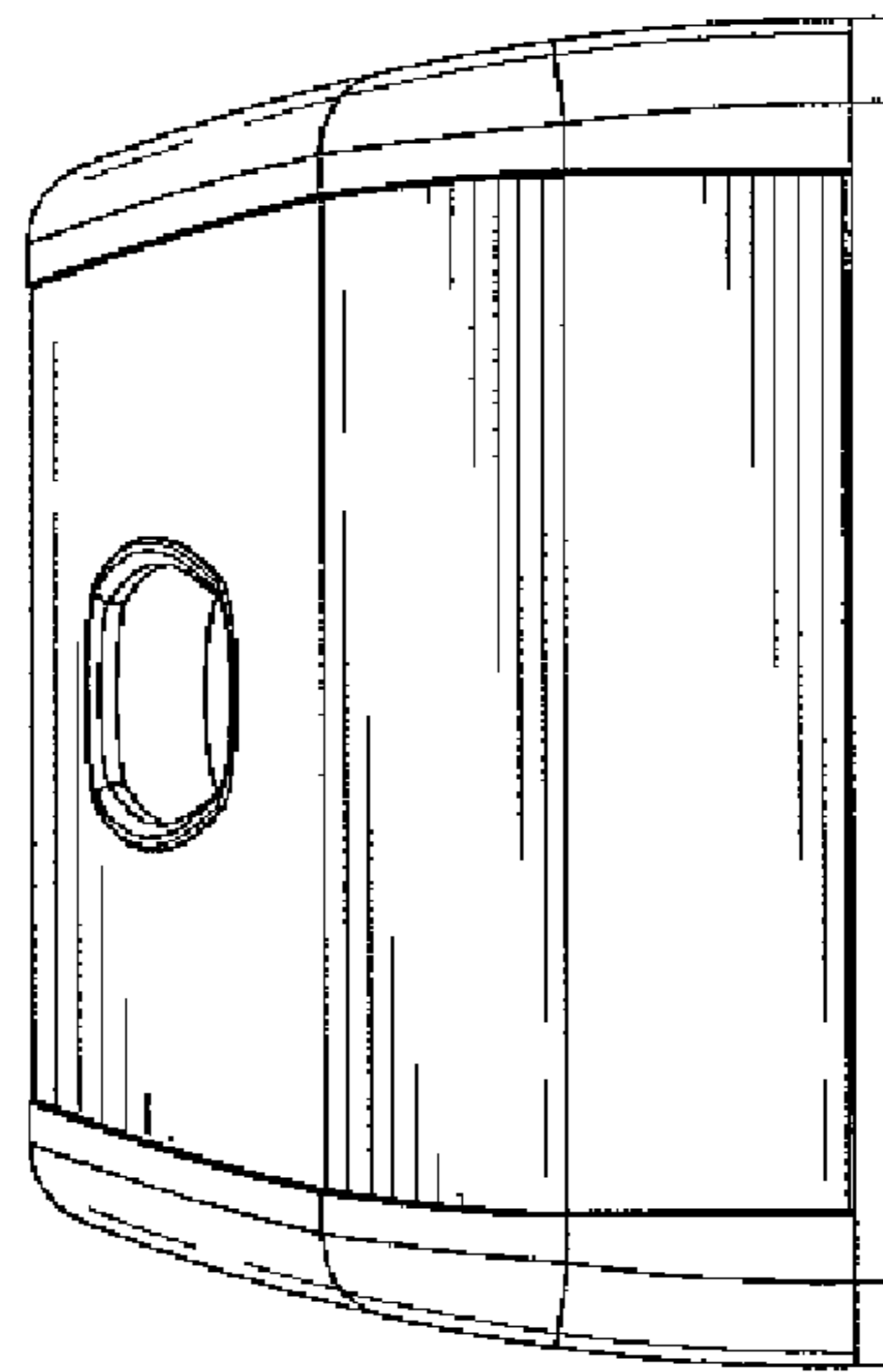


Fig. 3

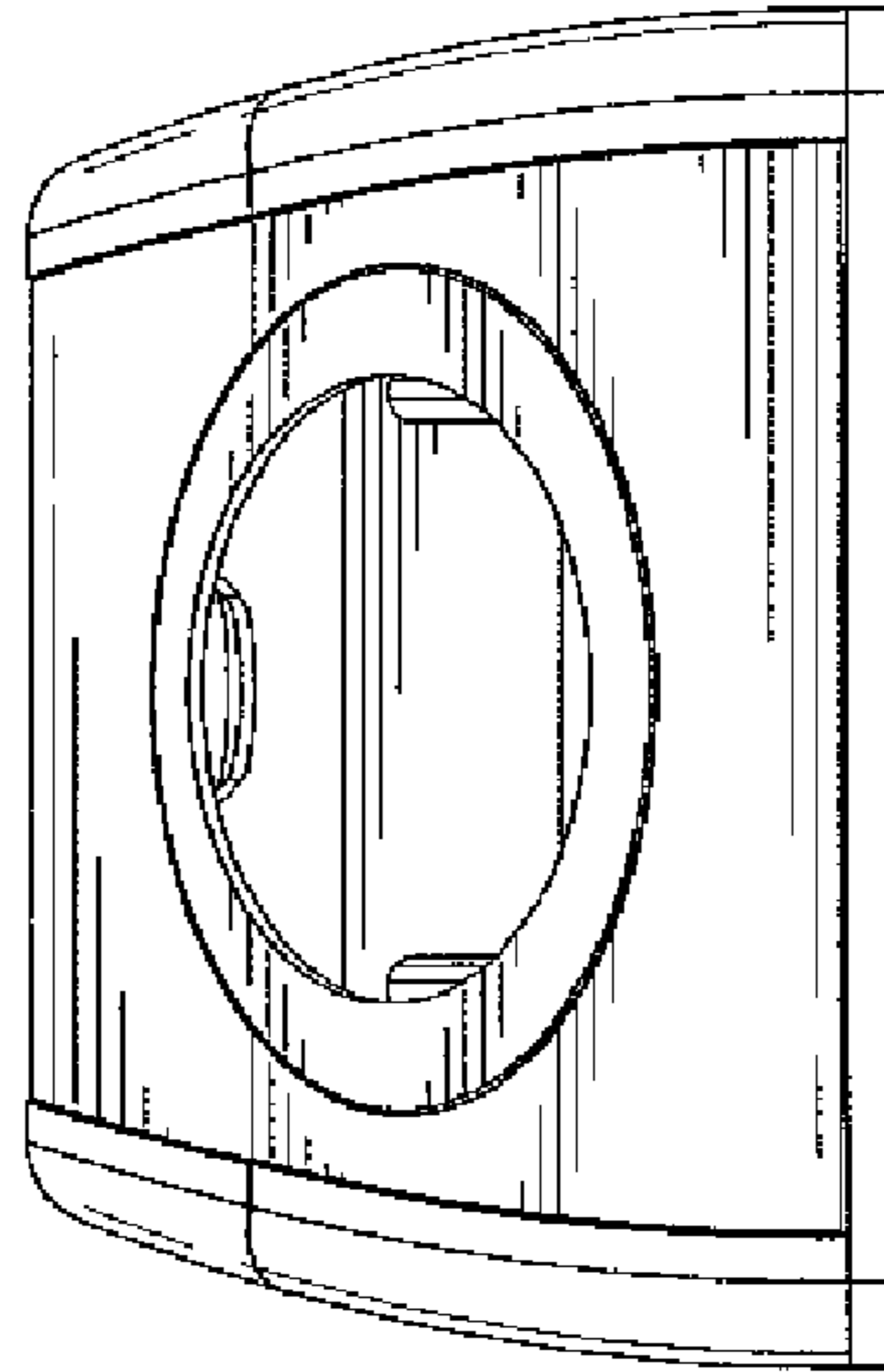


Fig. 4

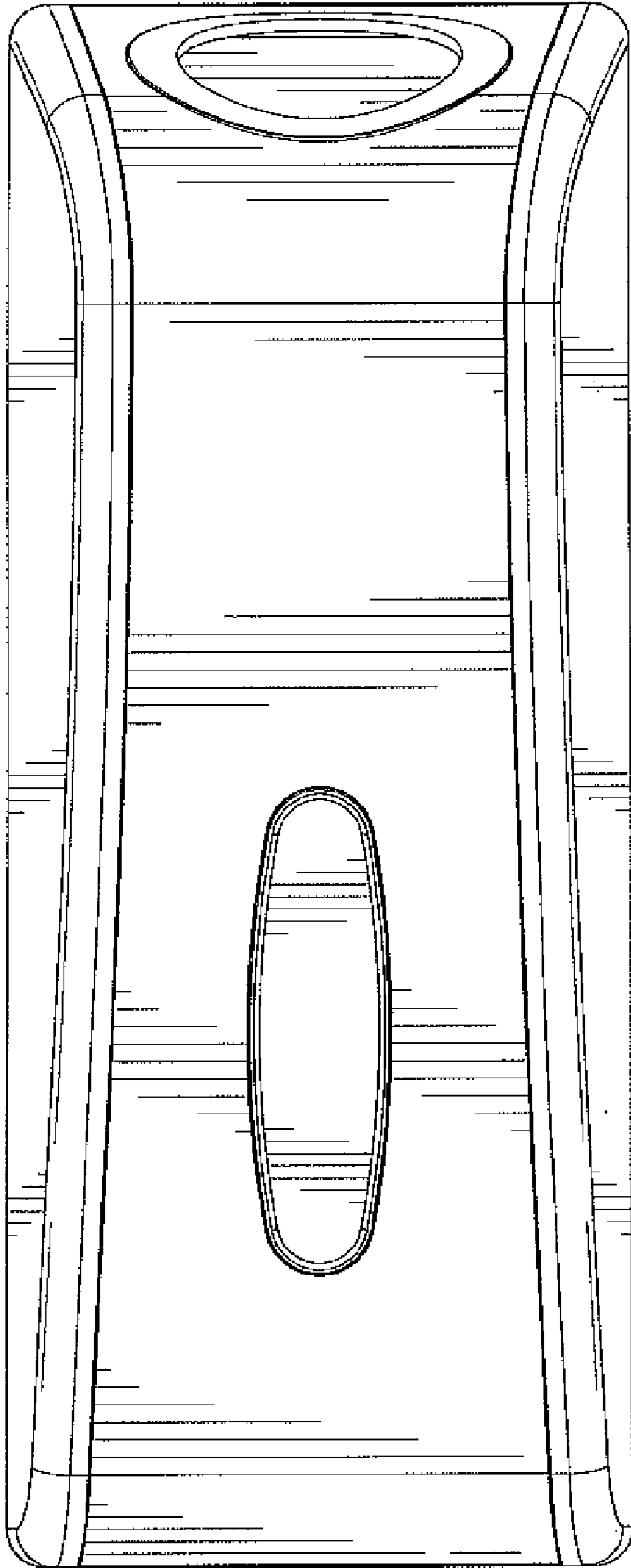


Fig. 5

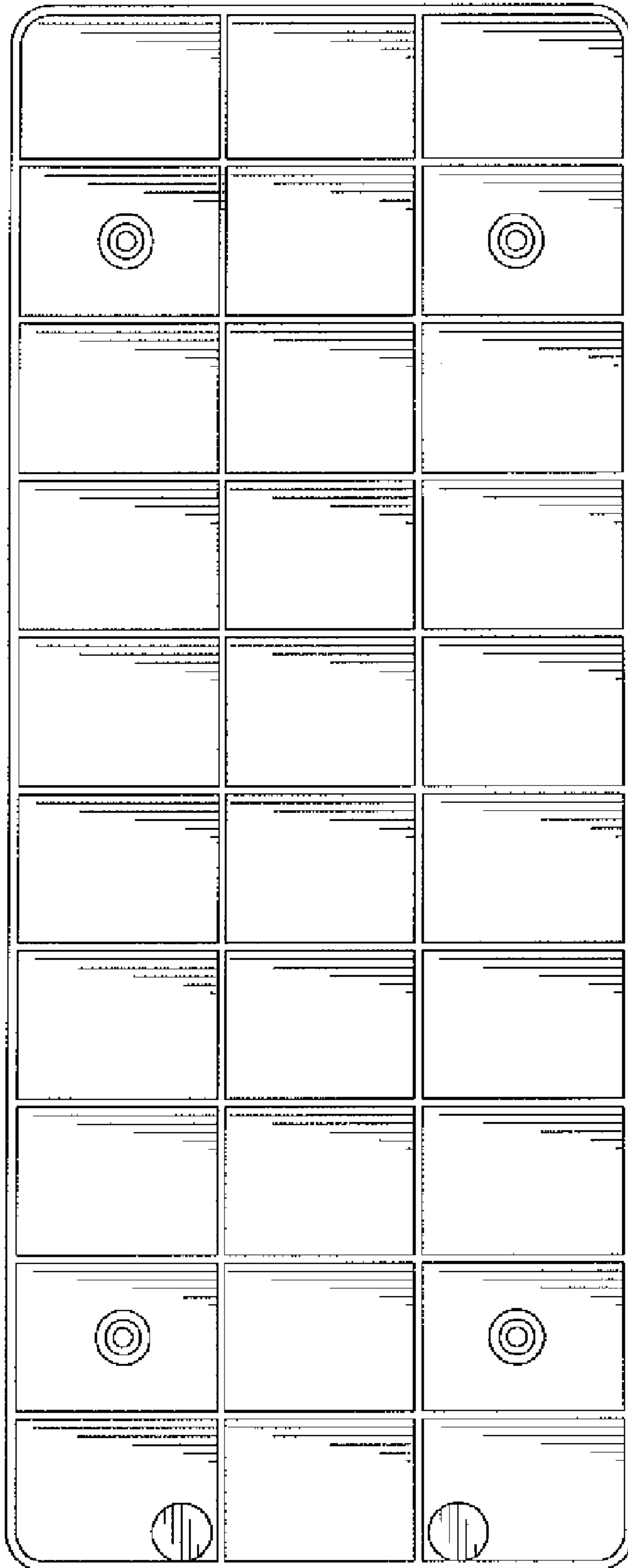


Fig. 6