



US00D570141S

(12) **United States Design Patent**
Snider

(10) **Patent No.:** **US D570,141 S**
(45) **Date of Patent:** **** Jun. 3, 2008**

(54) **ORGANIZER FOR PLASTIC BAGS AND ROLLED SHEET MATERIAL**

(75) Inventor: **Martin Snider**, New City, NY (US)

(73) Assignee: **MSA Products, Inc.**, Nyack, NY (US)

(**) Term: **14 Years**

(21) Appl. No.: **29/292,176**

(22) Filed: **Oct. 1, 2007**

(51) **LOC (8) Cl.** **20-02**

(52) **U.S. Cl.** **D6/515**

(58) **Field of Classification Search** D6/515-523;
211/13.1, 44, 45, 49.1, 50, 59.2, 86.01, 87.01;
206/554; 221/222, 33, 45, 134, 181-182
See application file for complete search history.

(56) **References Cited**

U.S. PATENT DOCUMENTS

5,368,910 A *	11/1994	Langdon	206/554
D358,325 S *	5/1995	McNaughton	D6/515
D482,915 S *	12/2003	Yang et al.	D6/515
D507,715 S *	7/2005	Yang et al.	D6/515

* cited by examiner

Primary Examiner—Brian N Vinson
(74) *Attorney, Agent, or Firm*—Gerald E. Hespos; Anthony J. Casella

(57) **CLAIM**

The ornamental design for an organizer for plastic bags and rolled sheet material, as shown and described.

DESCRIPTION

FIG. 1 is a perspective view of an organizer for plastic bags and rolled sheet material in accordance with my design;

FIG. 2 is a top plan view of the organizer for plastic bags and rolled sheet material shown in FIG. 1;

FIG. 3 is a front elevational view thereof;

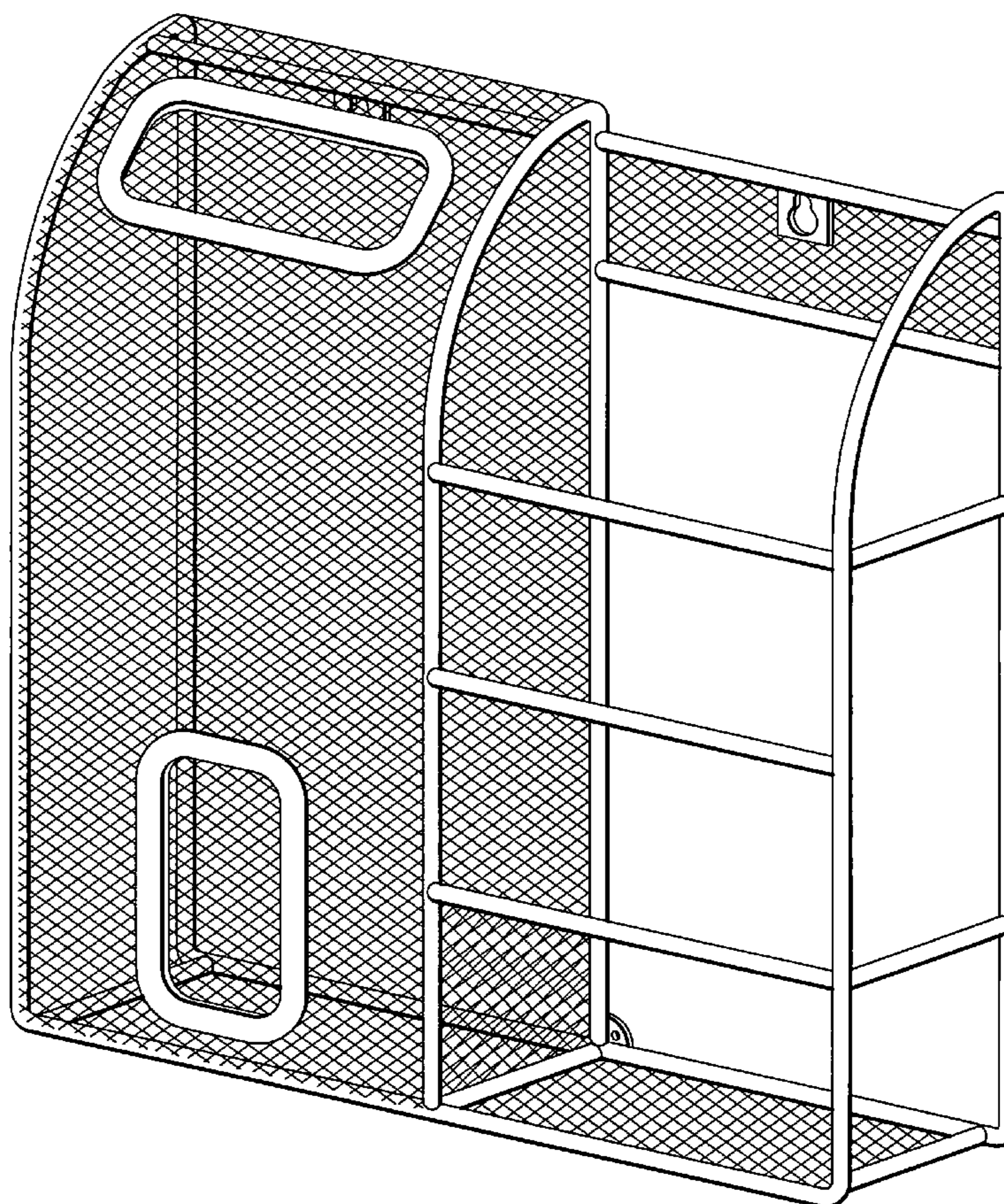
FIG. 4 is a side elevational view as view from the left side in FIG. 3;

FIG. 5 is a side elevational view as view from the right side in FIG. 3;

FIG. 6 is a rear elevational view thereof; and,

FIG. 7 is a bottom plan view thereof.

1 Claim, 4 Drawing Sheets



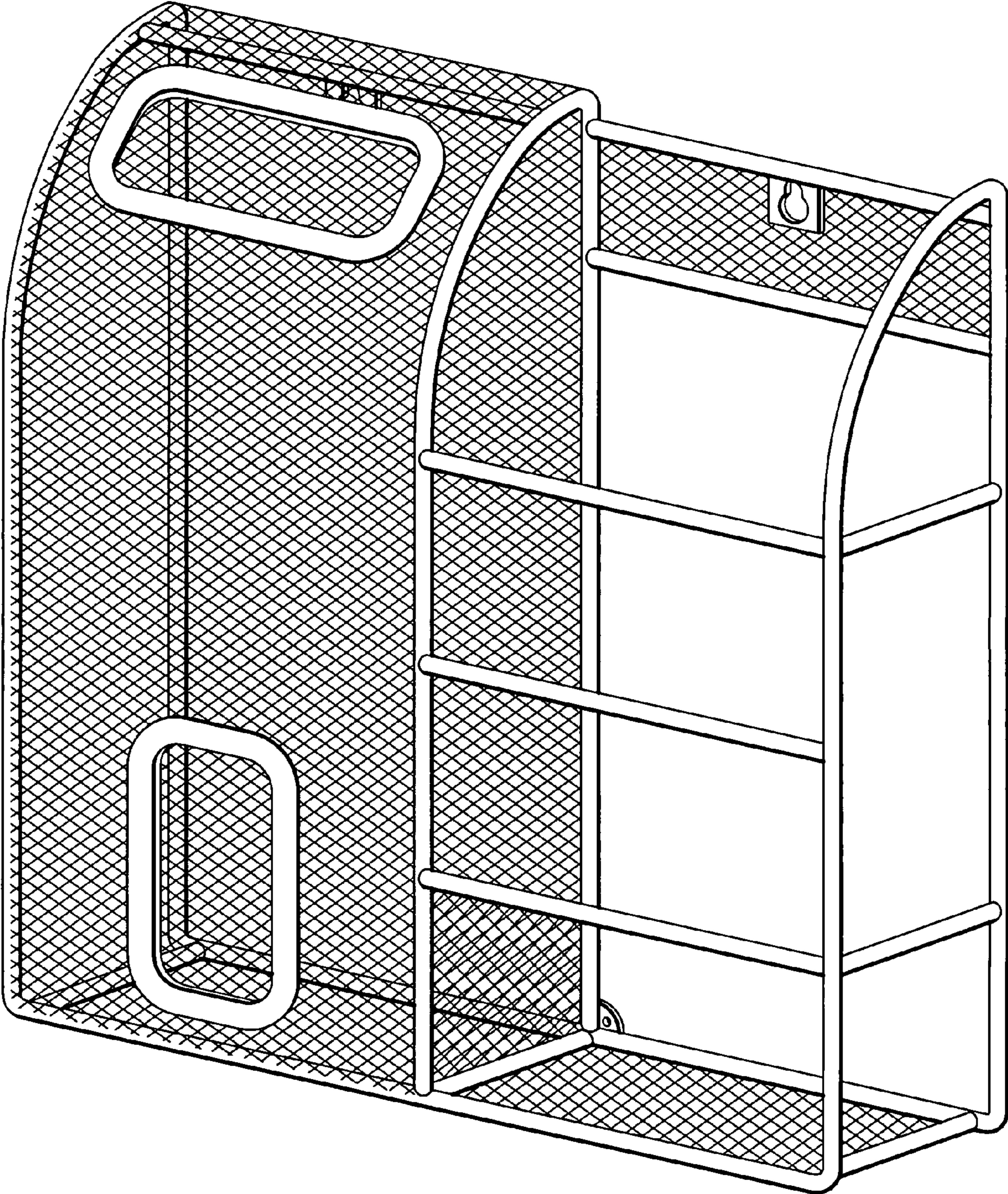


FIG. 1

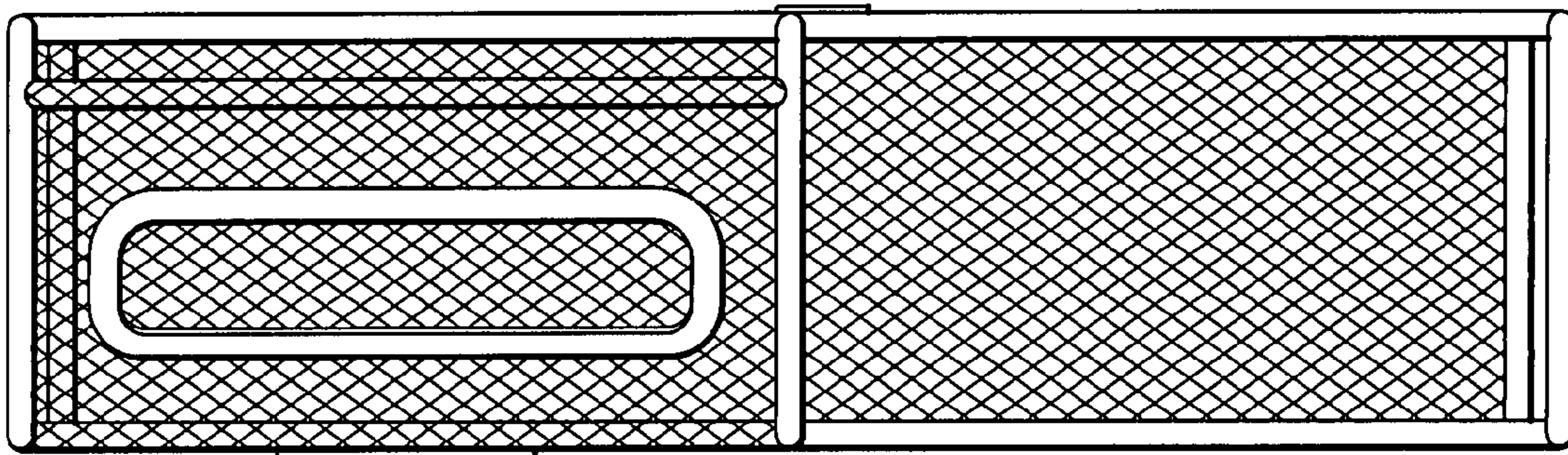


FIG. 2

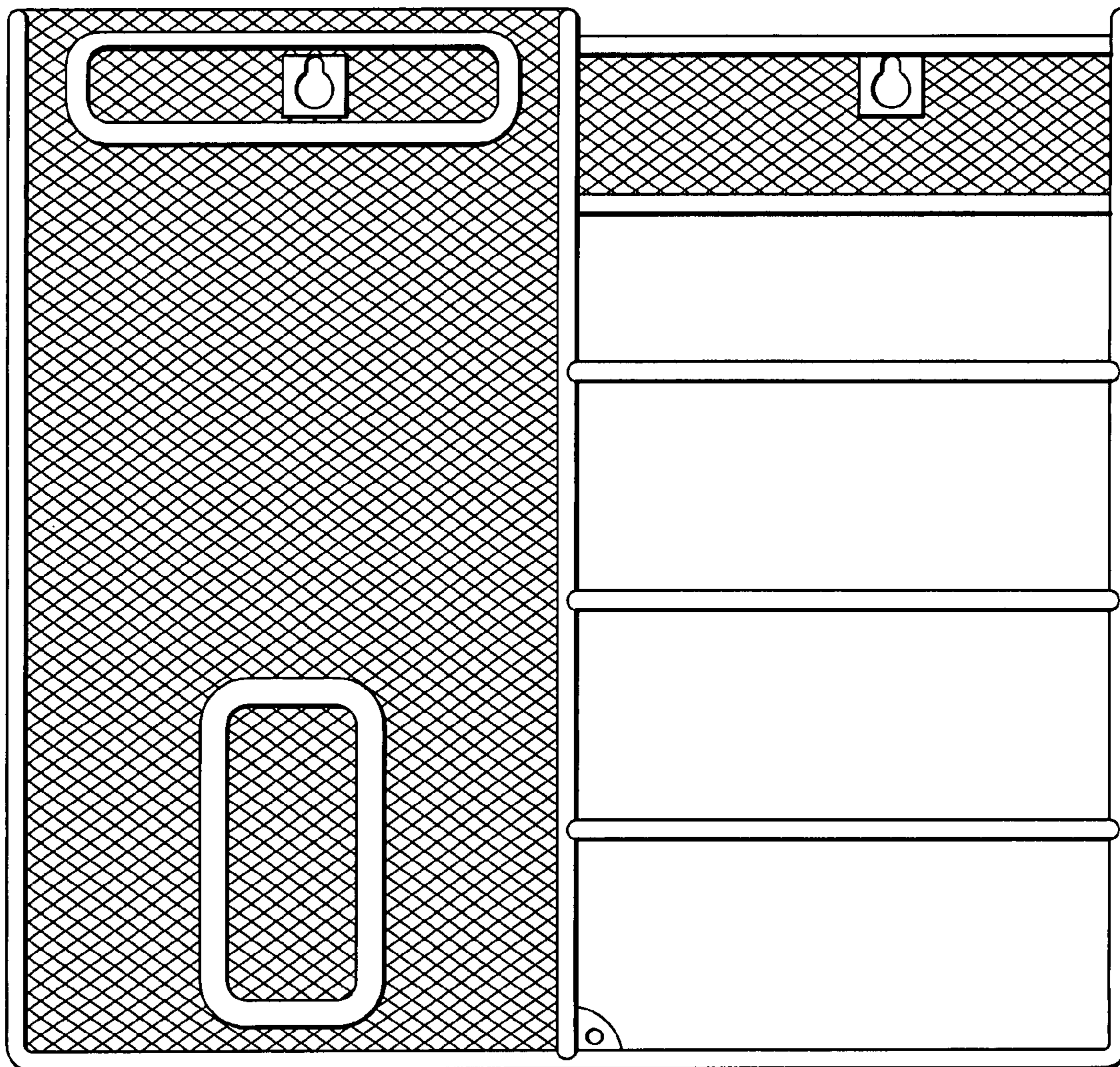


FIG. 3

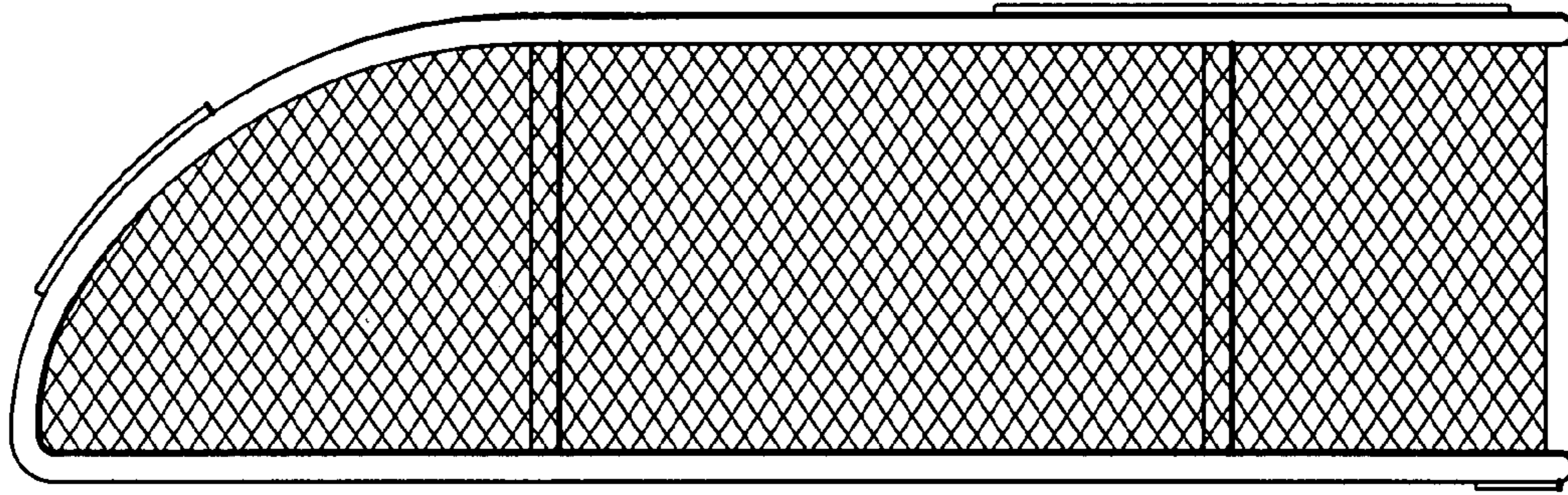


FIG. 4

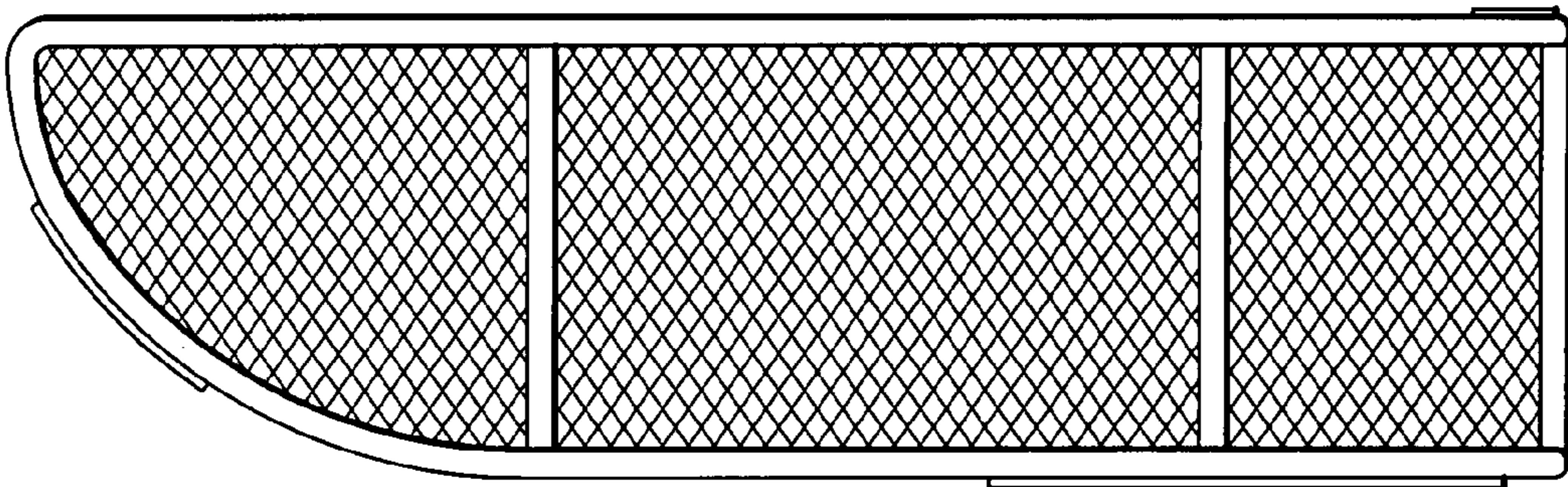


FIG. 5

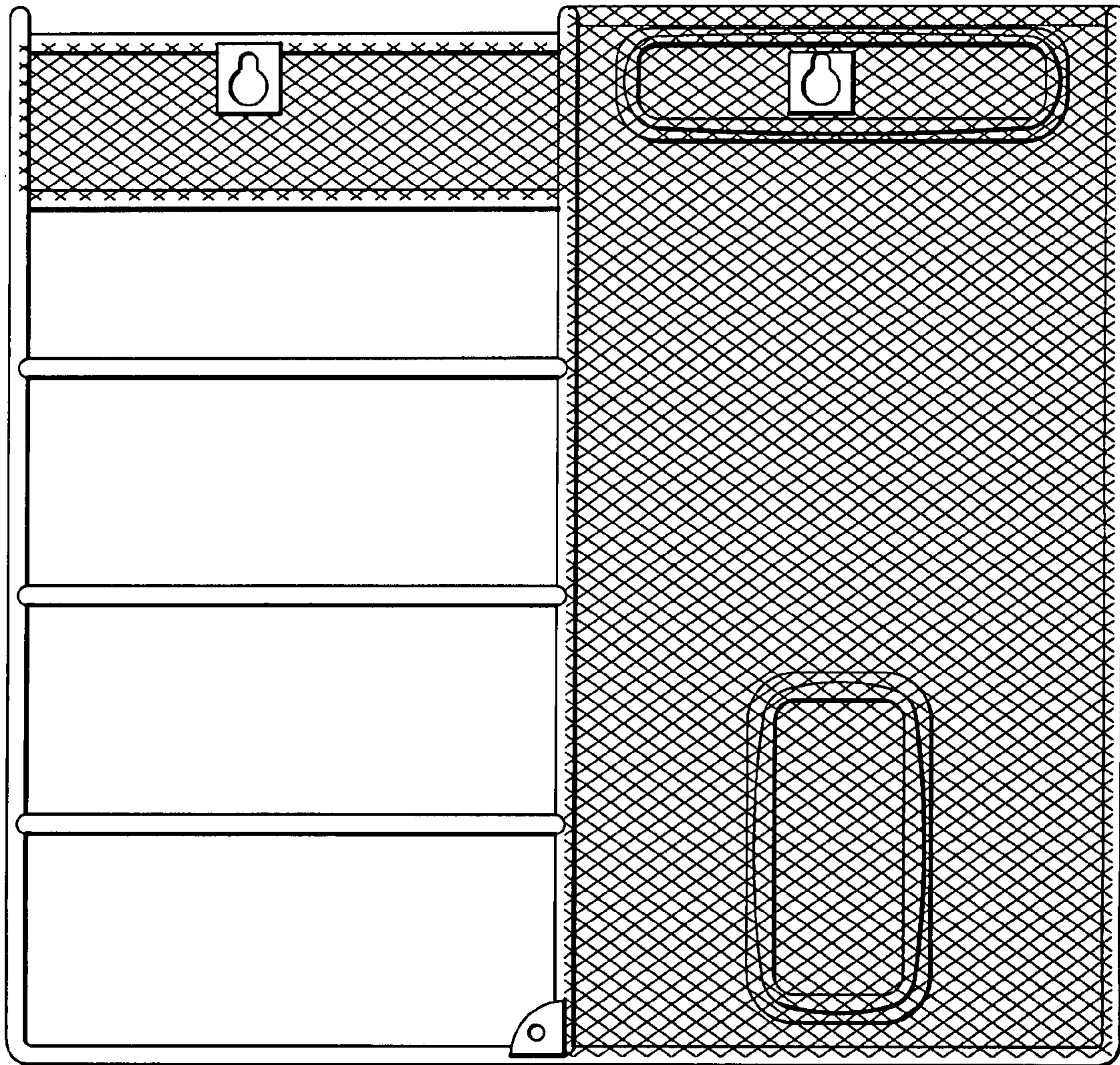


FIG. 6

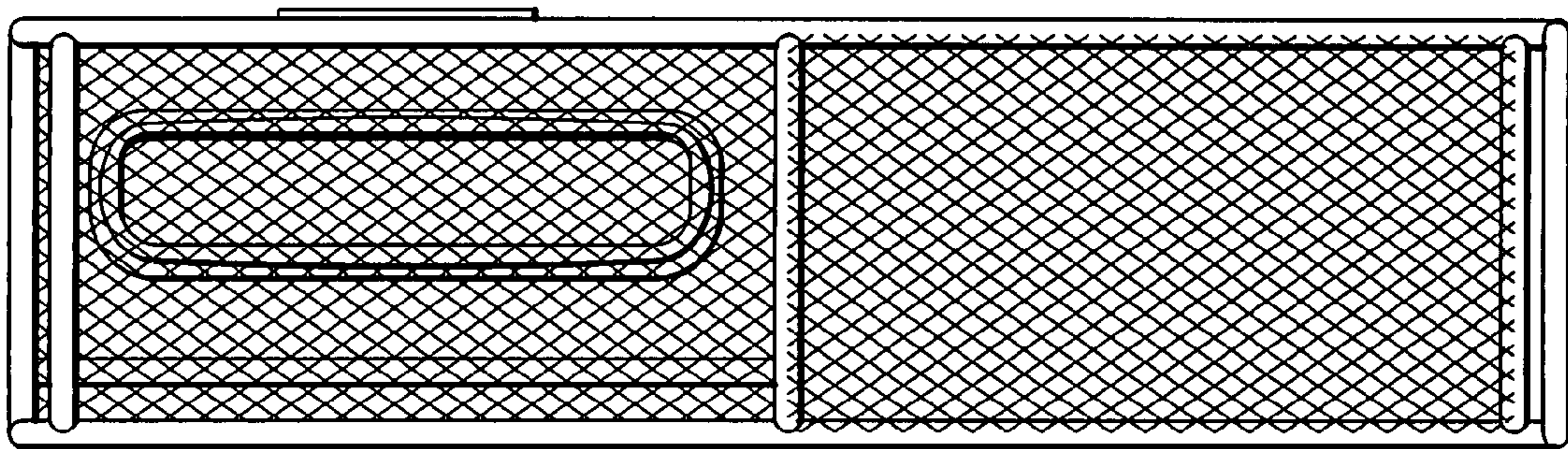


FIG. 7