



US00D570140S

(12) **United States Design Patent**  
**Thompson**

(10) **Patent No.:** **US D570,140 S**  
(45) **Date of Patent:** **\*\* Jun. 3, 2008**

(54) **BED FOOTBOARD**

(75) Inventor: **David W. Thompson**, New Albany, OH  
(US)

(73) Assignee: **American Signature, Inc.**, Columbus,  
OH (US)

(\*\*) Term: **14 Years**

(21) Appl. No.: **29/296,440**

(22) Filed: **Oct. 20, 2007**

**Related U.S. Application Data**

(62) Division of application No. 29/255,922, filed on Mar.  
14, 2006.

(51) **LOC (8) Cl.** ..... **06-06**

(52) **U.S. Cl.** ..... **D6/505**

(58) **Field of Classification Search** ..... D6/382,  
D6/389, 393-395, 505-508, 503, 491, 300,  
D6/495, 497, 493, 434; 5/53.1, 907, 279.1,  
5/280, 281

See application file for complete search history.

(56) **References Cited**

**U.S. PATENT DOCUMENTS**

- D277,157 S 1/1985 Mower et al.
- D282,231 S 1/1986 Scully et al.
- D392,811 S \* 3/1998 Bergelin ..... D6/393
- D414,622 S \* 10/1999 Vaaler ..... D6/393

- D441,980 S 5/2001 McDaniel et al.
- D462,193 S \* 9/2002 Lenger ..... D6/393
- D468,928 S 1/2003 Jones et al.
- D492,502 S 7/2004 Domack
- D502,021 S \* 2/2005 Christian ..... D6/393
- D514,350 S 2/2006 Berry et al.
- D519,745 S \* 5/2006 Stanton ..... D6/505

\* cited by examiner

*Primary Examiner*—Janice E Seeger  
(74) *Attorney, Agent, or Firm*—Wood, Herron & Evans,  
L.L.P.

(57) **CLAIM**

The ornamental design for a bed footboard, as shown and  
described.

**DESCRIPTION**

FIG. 1 is a front elevational view of a bed footboard showing  
my new design.

FIG. 2 is a rear elevational view thereof.

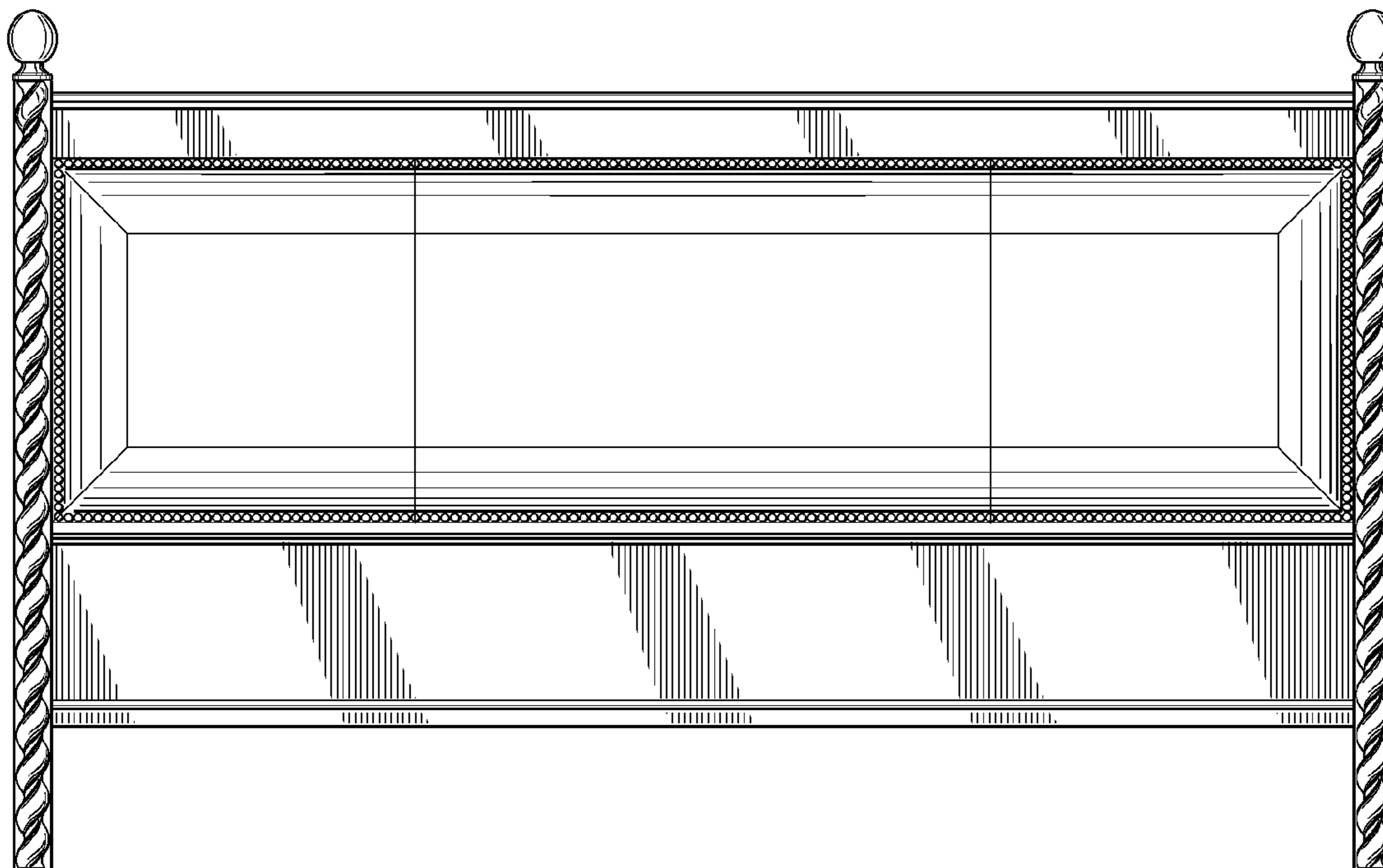
FIG. 3 is a left-side elevational view thereof, with the  
right-side elevational view thereof being a mirror image.

FIG. 4 is a top plan view thereof; and,

FIG. 5 is a bottom plan view thereof.

The claimed design does not include any depth for the tiny  
circle pattern around the perimeter of the headboard.

**1 Claim, 2 Drawing Sheets**



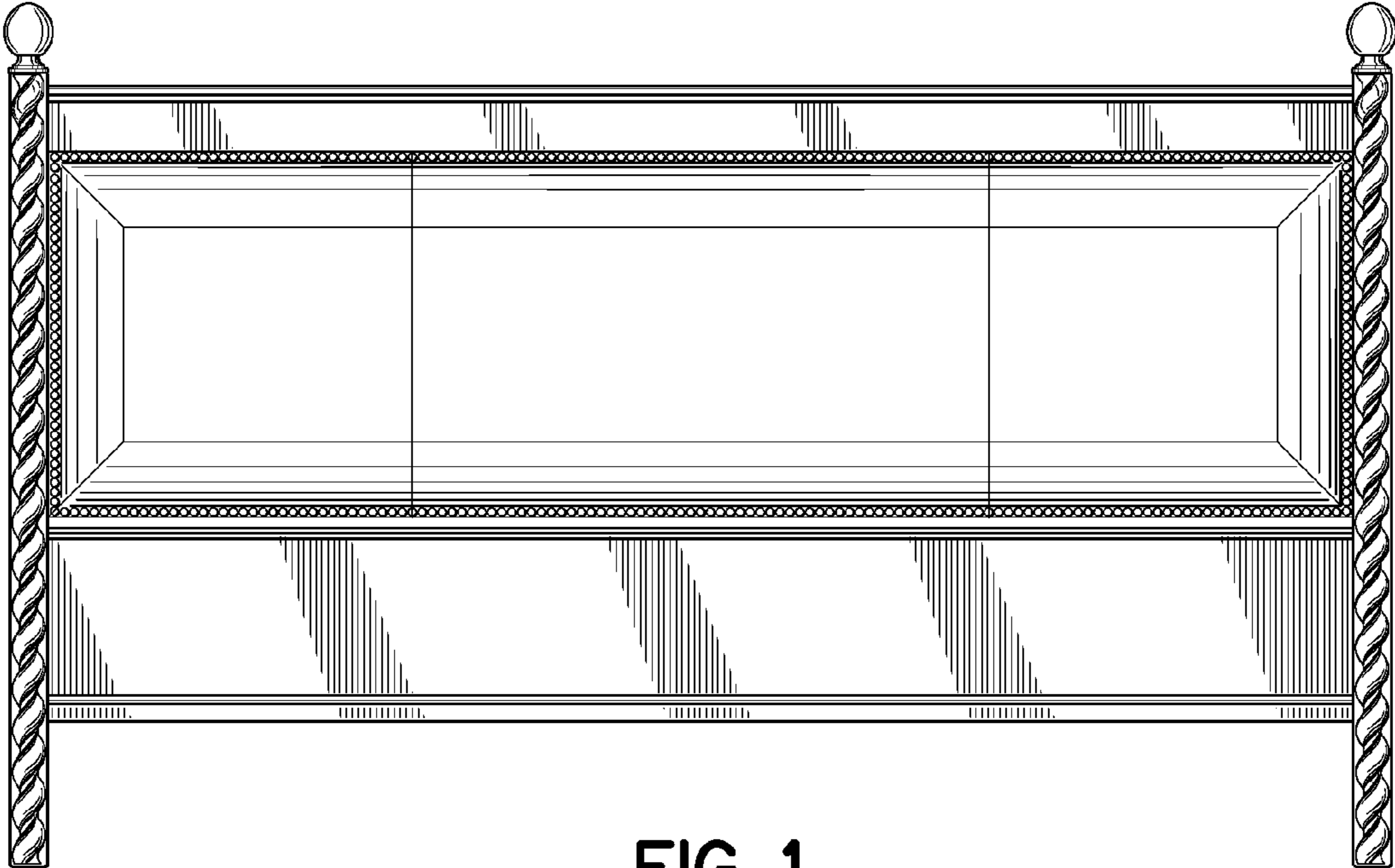


FIG. 1

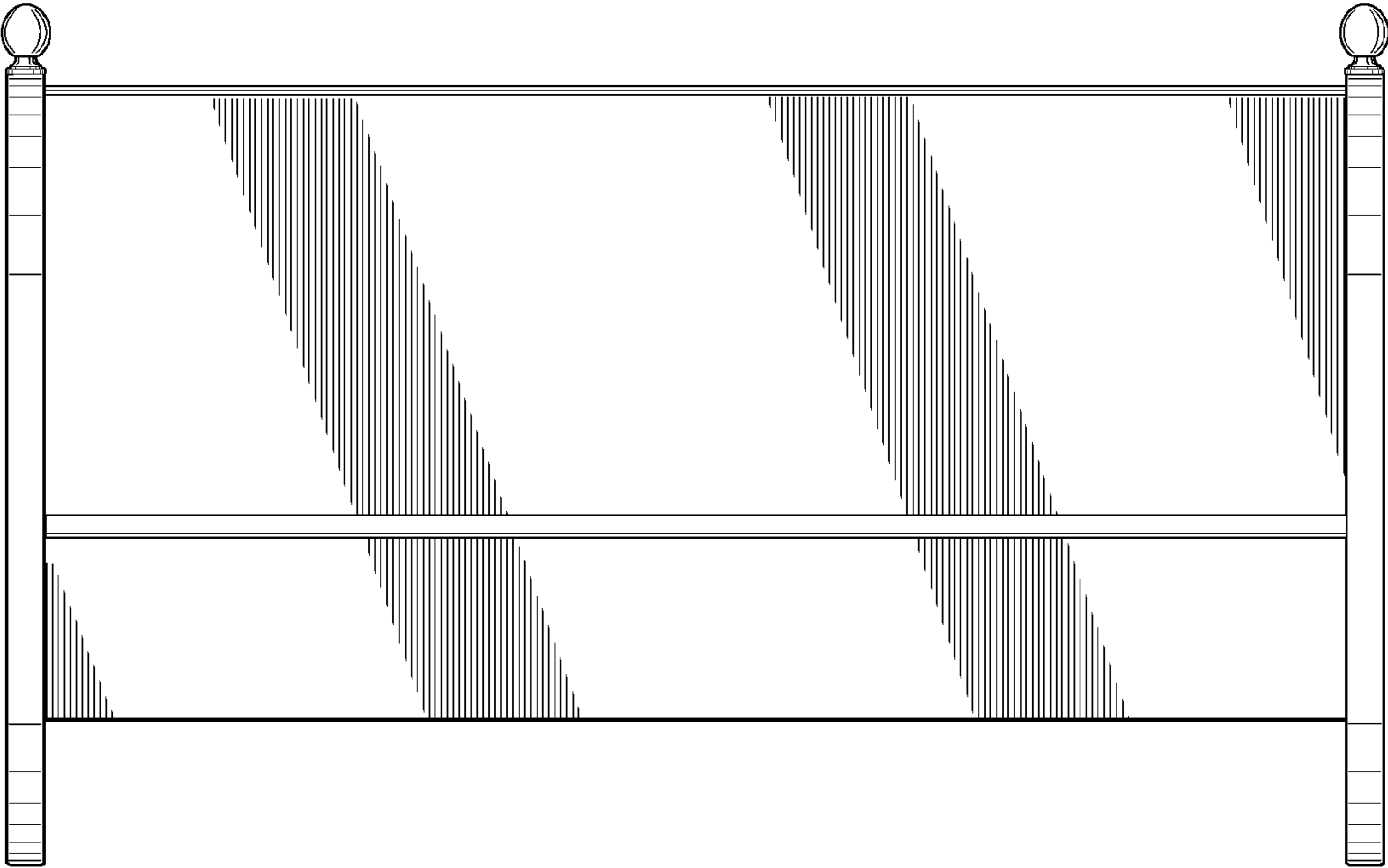


FIG. 2

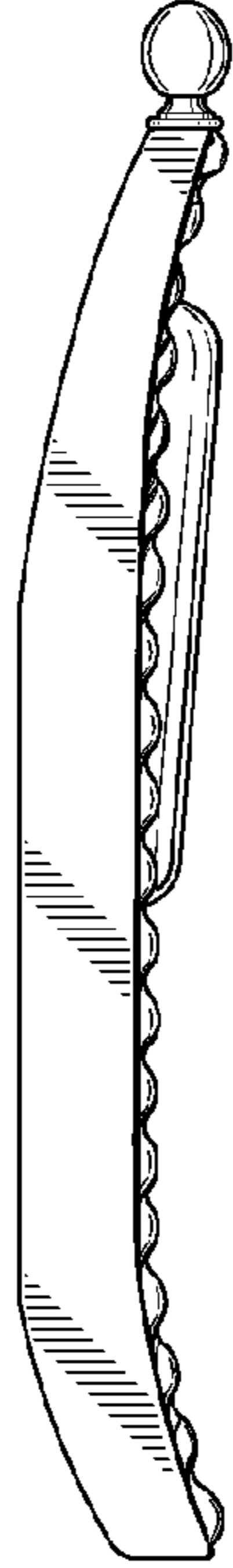


FIG. 3

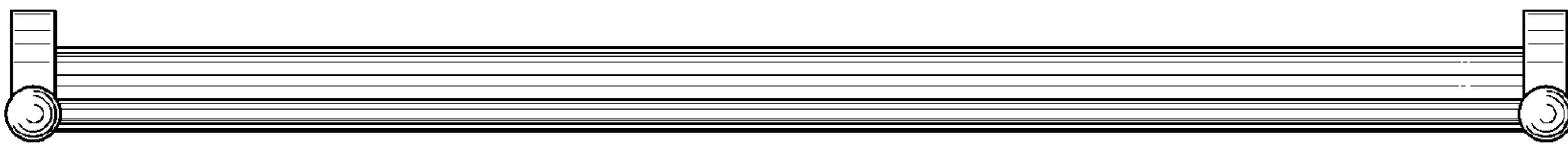


FIG. 4

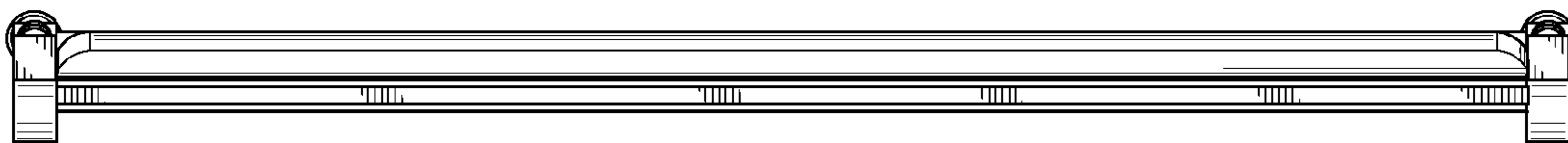


FIG. 5