



US00D570135S

(12) **United States Design Patent**  
**Thompson**

(10) **Patent No.:** **US D570,135 S**  
(45) **Date of Patent:** **\*\* Jun. 3, 2008**

(54) **TABLE BASE LEG STRETCHER AND FEET**

(75) Inventor: **David W. Thompson**, New Albany, OH (US)

(73) Assignee: **American Signature, Inc.**, Columbus, OH (US)

(\*\*) Term: **14 Years**

(21) Appl. No.: **29/296,437**

(22) Filed: **Oct. 20, 2007**

**Related U.S. Application Data**

(62) Division of application No. 29/258,335, filed on Apr. 20, 2006.

(51) **LOC (8) Cl.** ..... **06-06**

(52) **U.S. Cl.** ..... **D6/495**

(58) **Field of Classification Search** ..... D6/480-489,  
D6/495, 498, 491, 349, 432; 248/188, 188.1,  
248/188.7, 188.8, 188.9; 108/153.1, 155,  
108/156, 157.1, 161

See application file for complete search history.

(56) **References Cited**

**U.S. PATENT DOCUMENTS**

- D66,293 S \* 12/1924 Kehoe ..... D6/480
- D79,962 S 11/1929 Gommesen
- D82,622 S 11/1930 Pauli
- 2,273,006 A 2/1942 Carlson

- 2,680,661 A 6/1954 Bremer
- D245,302 S \* 8/1977 Pratt ..... D6/480
- 4,646,654 A 3/1987 Sullivan
- D341,506 S 11/1993 Nourse
- 6,041,722 A 3/2000 Baker
- D455,298 S \* 4/2002 McDaniel et al. .... D6/480
- D455,912 S 4/2002 McDaniel et al.
- D457,748 S 5/2002 Wistehuff, Sr.
- D462,855 S \* 9/2002 McDaniel et al. .... D6/480
- D488,939 S \* 4/2004 Lenger ..... D6/495
- D558,487 S \* 1/2008 Everson et al. .... D6/480

\* cited by examiner

*Primary Examiner*—Janice E Seeger

(74) *Attorney, Agent, or Firm*—Wood, Herron & Evans, L.L.P.

(57) **CLAIM**

The ornamental design for a table base leg stretcher and feet, as shown and described.

**DESCRIPTION**

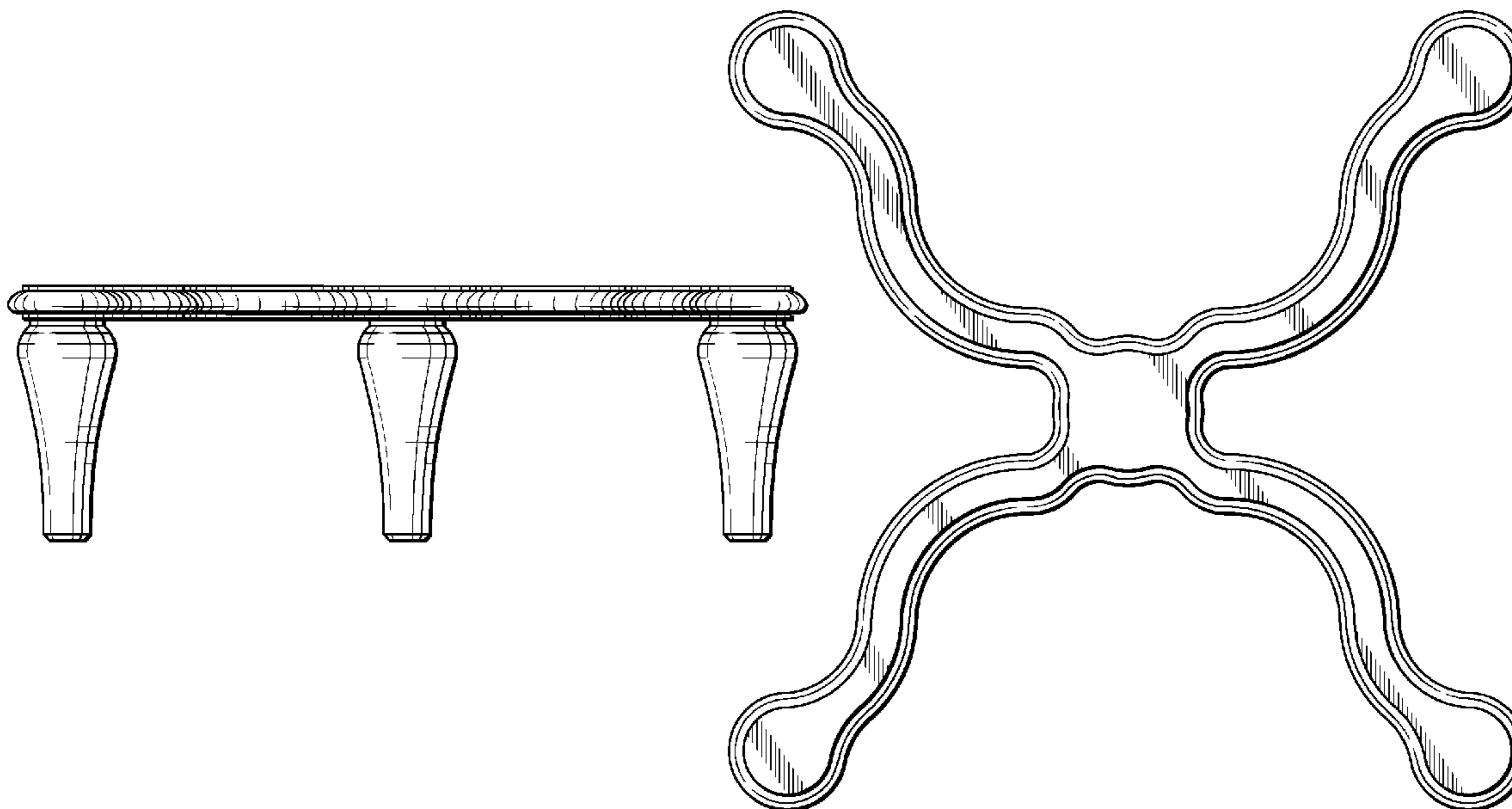
FIG. 1 is a front elevational view of a table base leg stretcher and feet showing my new design, with the rear elevational view thereof being identical.

FIG. 2 is a right-side elevational view thereof, with the left-side elevational view thereof being a mirror image.

FIG. 3 is a top plan view thereof; and,

FIG. 4 is a bottom plan view thereof.

**1 Claim, 2 Drawing Sheets**



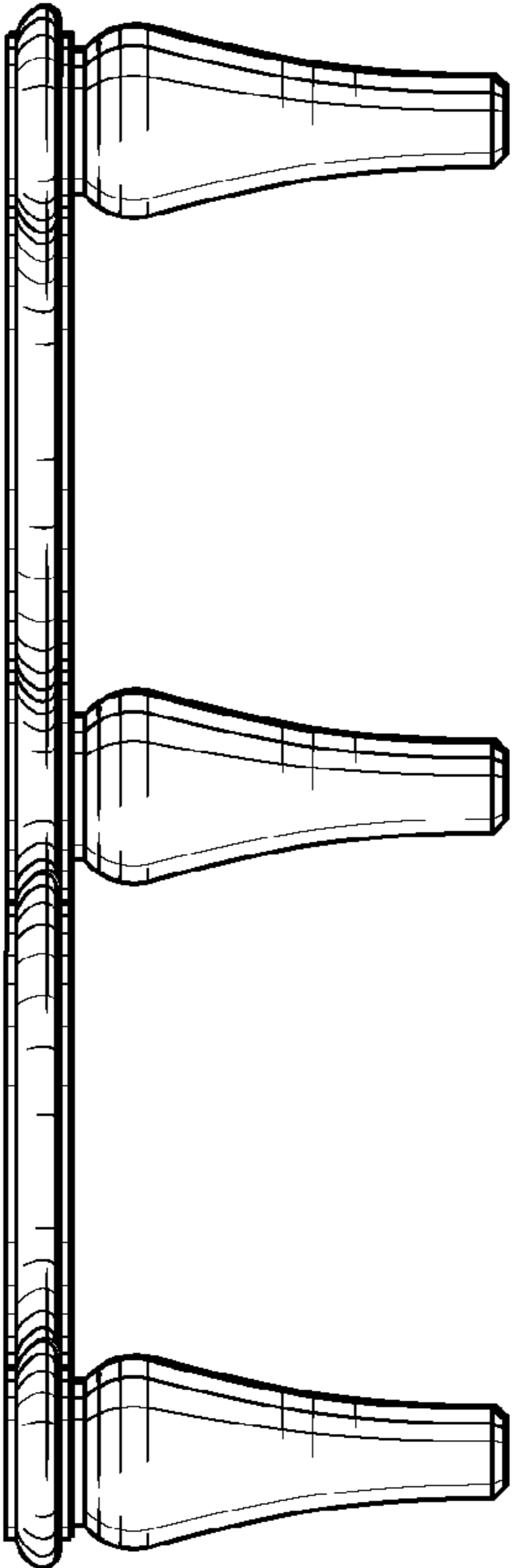


FIG. 1

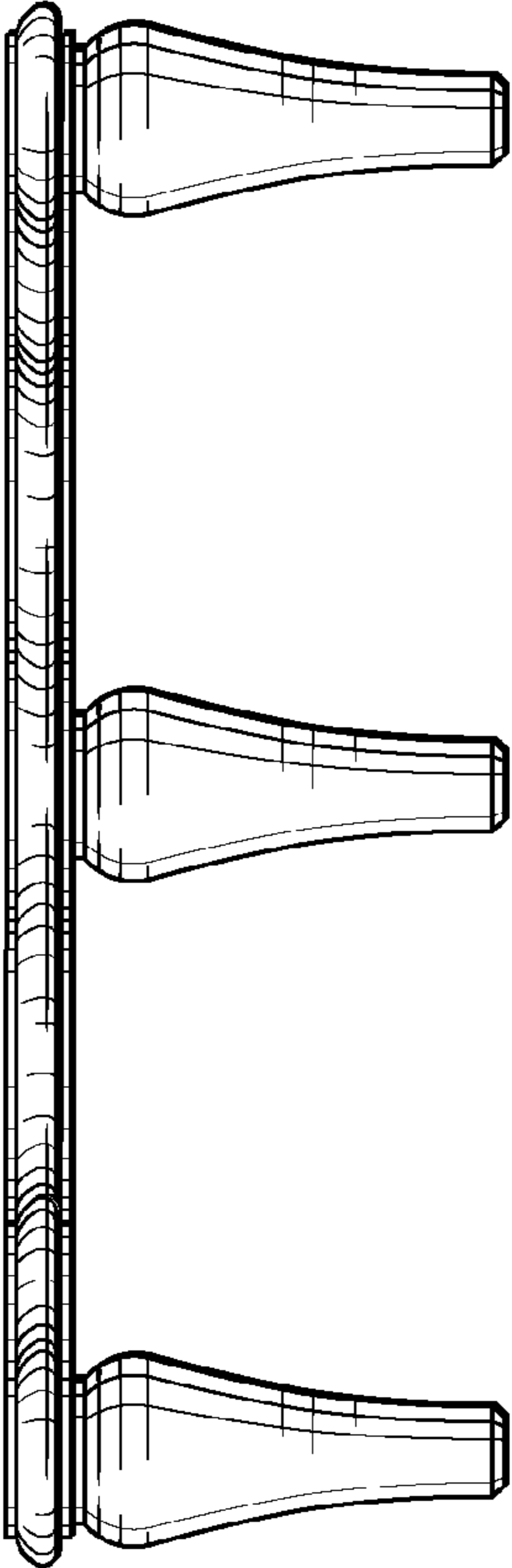


FIG. 2

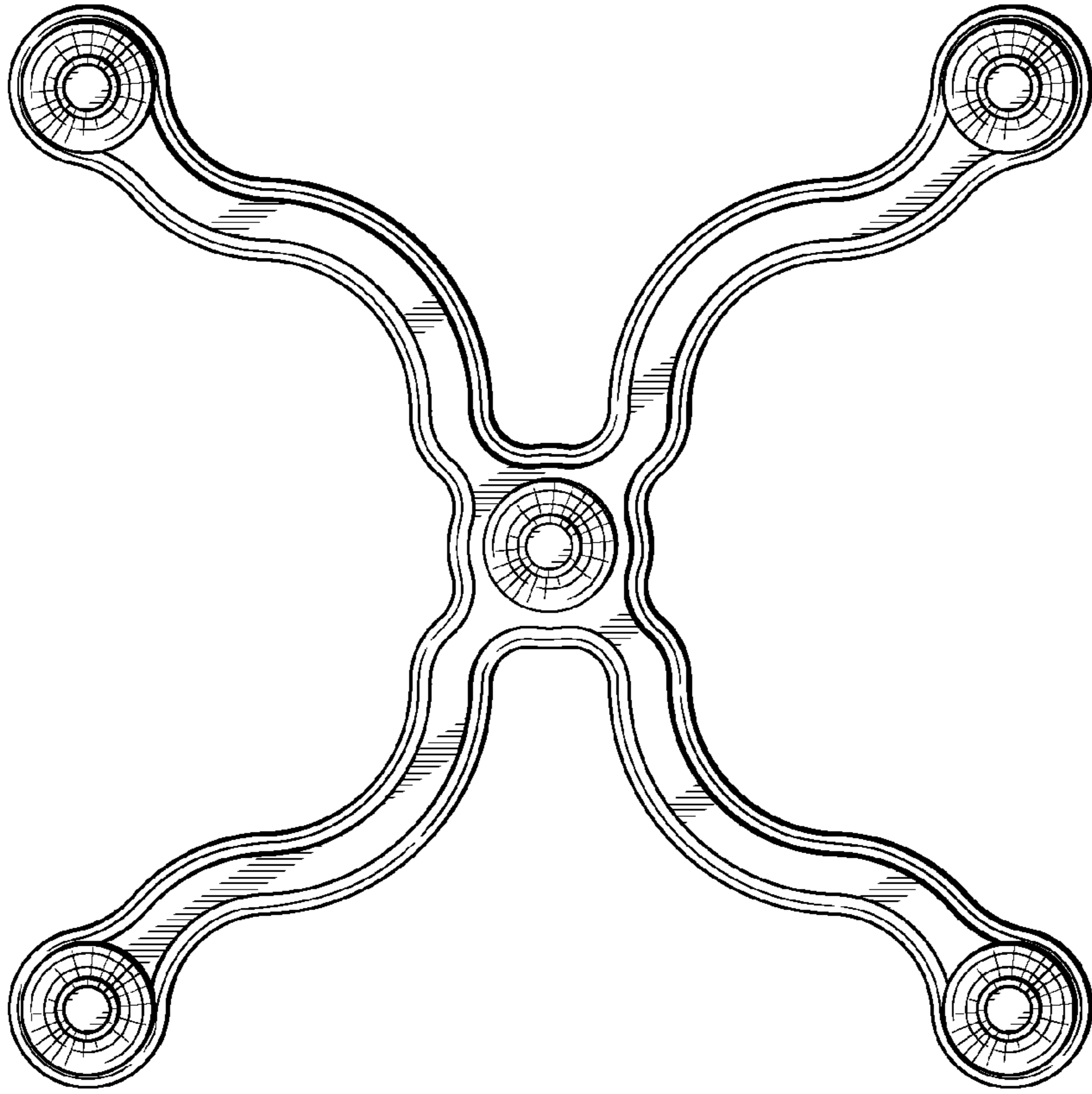


FIG. 4

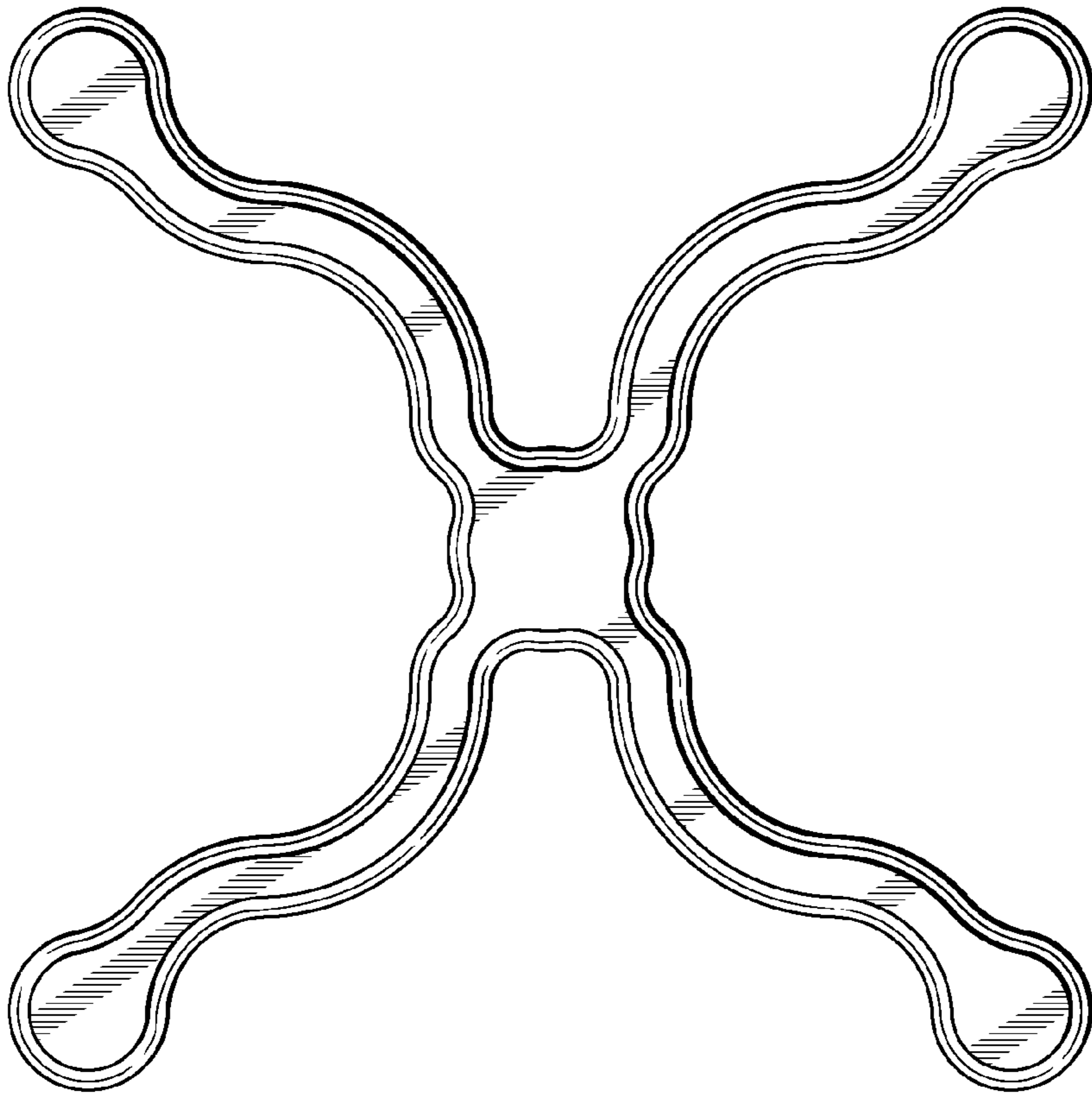


FIG. 3