

US00D570134S

(12) **United States Design Patent**
Swanson

(10) **Patent No.:** **US D570,134 S**

(45) **Date of Patent:** **** Jun. 3, 2008**

(54) **CAFE TABLE**

(75) Inventor: **Charles Swanson**, Fall River, MA (US)

(73) Assignee: **Benchmark Design Group Inc**,
Jacksonville Beach, FL (US)

(**) Term: **14 Years**

(21) Appl. No.: **29/282,771**

(22) Filed: **Jul. 27, 2007**

(51) **LOC (8) Cl.** **06-03**

(52) **U.S. Cl.** **D6/487; D6/488**

(58) **Field of Classification Search** D6/480-489,
D6/495-499, 429-431, 511; 108/150, 153.1,
108/155, 156, 161; 248/188, 188.1, 188.8,
248/188.9

See application file for complete search history.

(56) **References Cited**

U.S. PATENT DOCUMENTS

D109,505 S * 5/1938 Schaffer D6/487
D159,609 S * 8/1950 Goldberg D6/487

D172,870 S * 8/1954 Eppenstein D6/430
D247,401 S * 3/1978 Cohen D6/414
D265,033 S * 6/1982 Sogoian D6/480
D408,177 S * 4/1999 Stout D6/480

* cited by examiner

Primary Examiner—Janice E Seeger

(57) **CLAIM**

I claim the ornamental design for a café table, as shown and described.

DESCRIPTION

FIG. 1 is a perspective view of a café table, showing my new design;

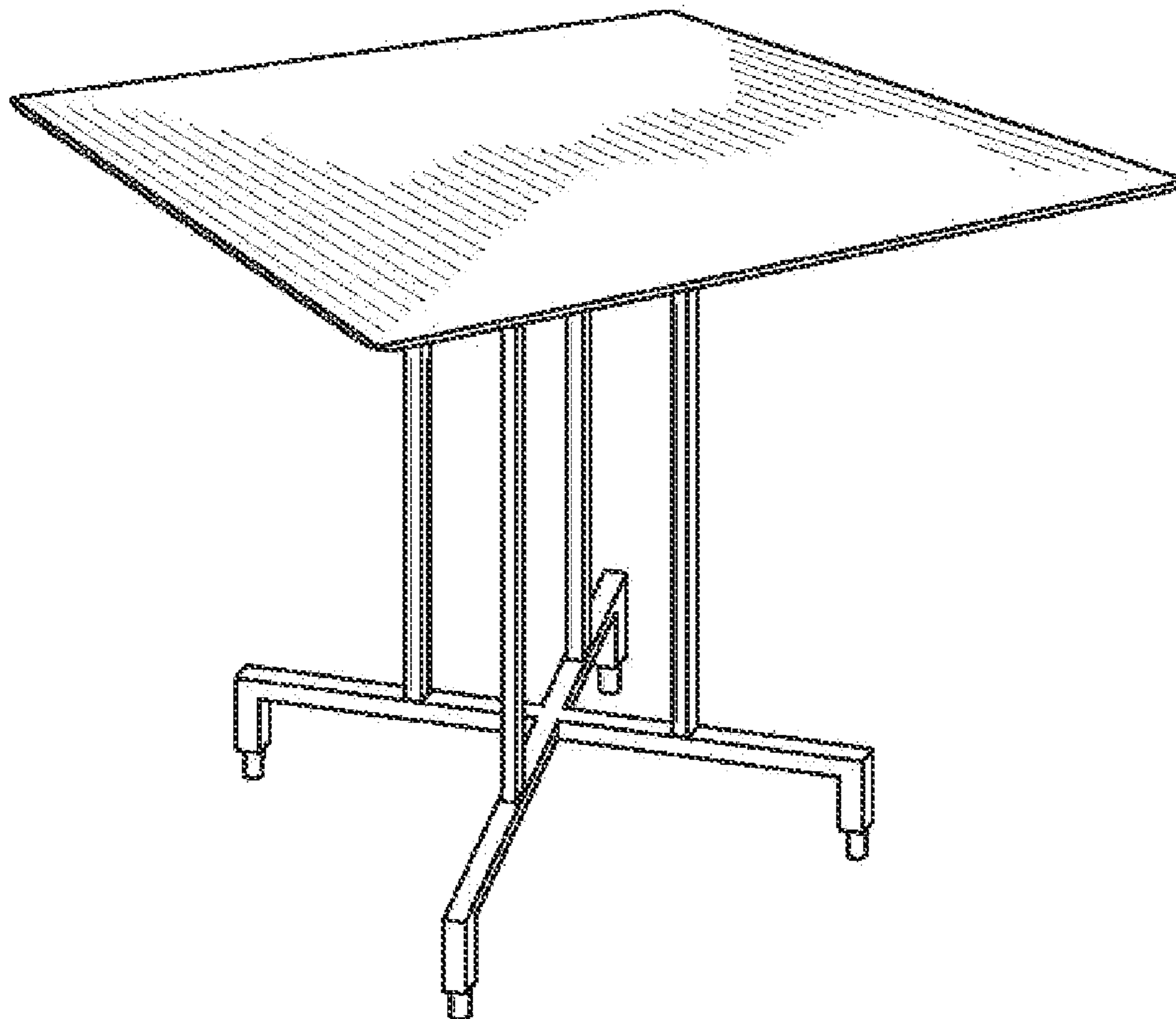
FIG. 2 is a front elevational view of the invention, the rear elevational view being a mirror image thereof;

FIG. 3 is a left-side elevational view of the invention, the right-side elevational view being a mirror image thereof;

FIG. 4 is a top plan view of the invention; and,

FIG. 5 is a bottom plan view of the invention.

1 Claim, 2 Drawing Sheets



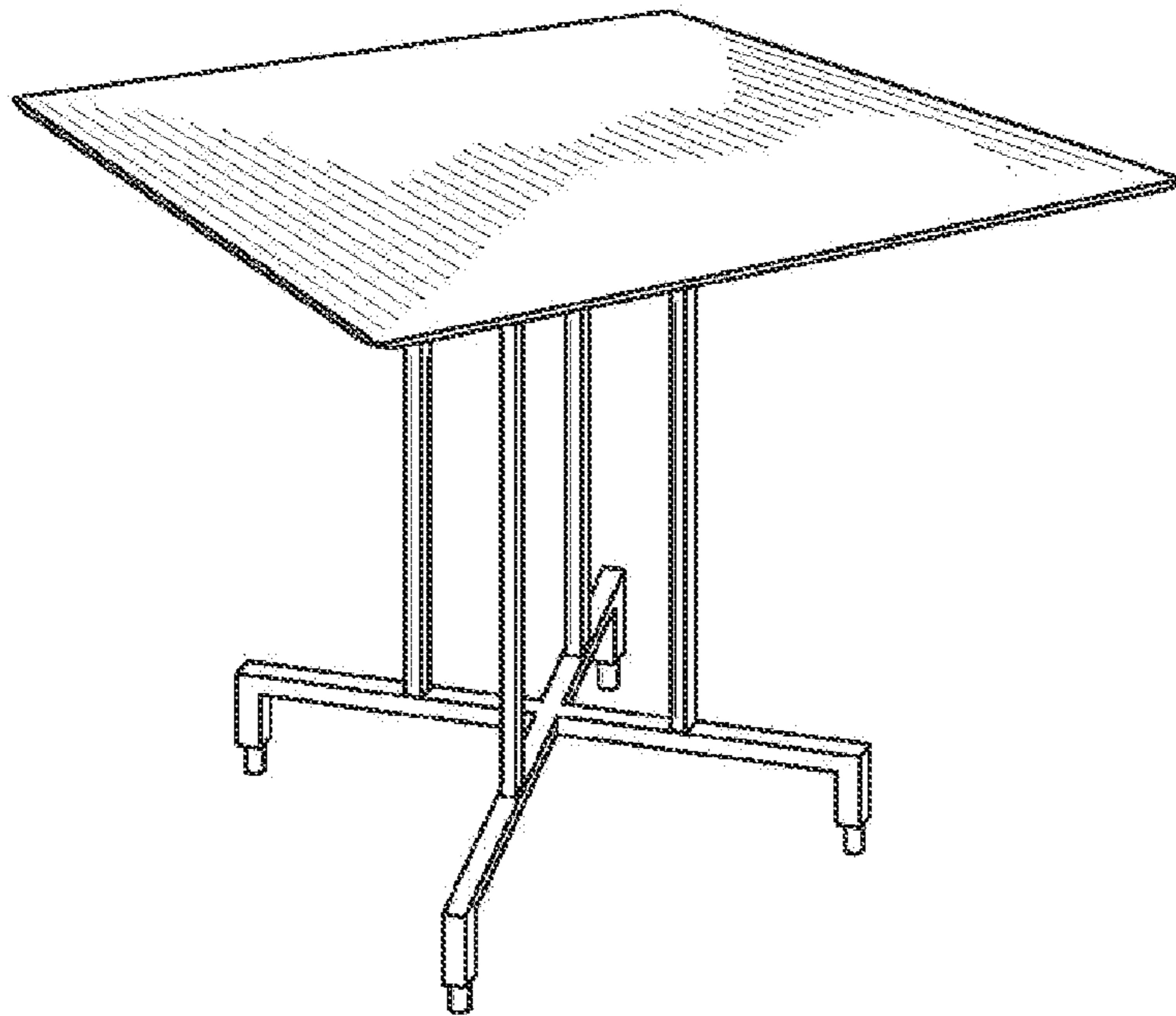


FIG. 1

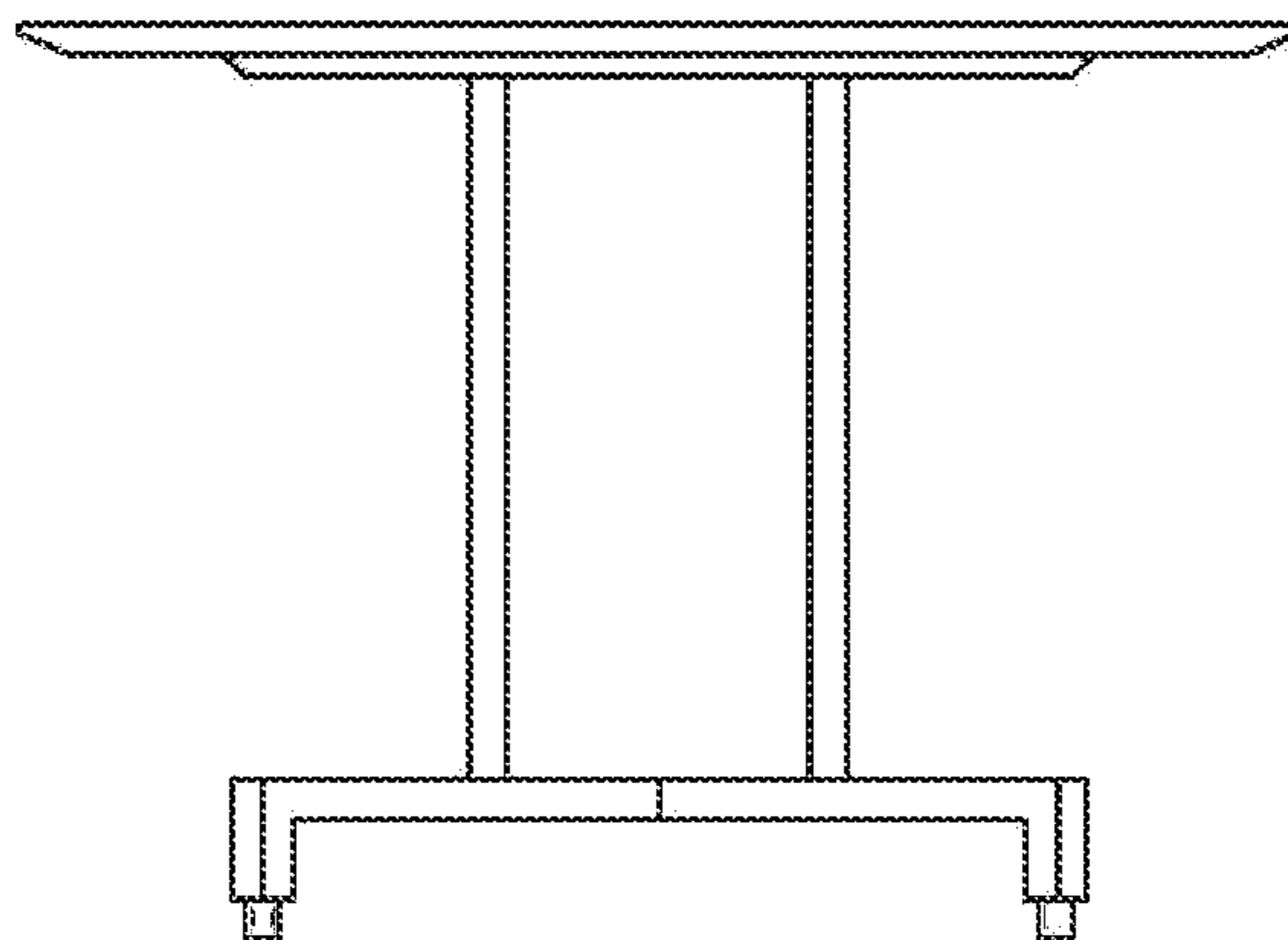


FIG. 2

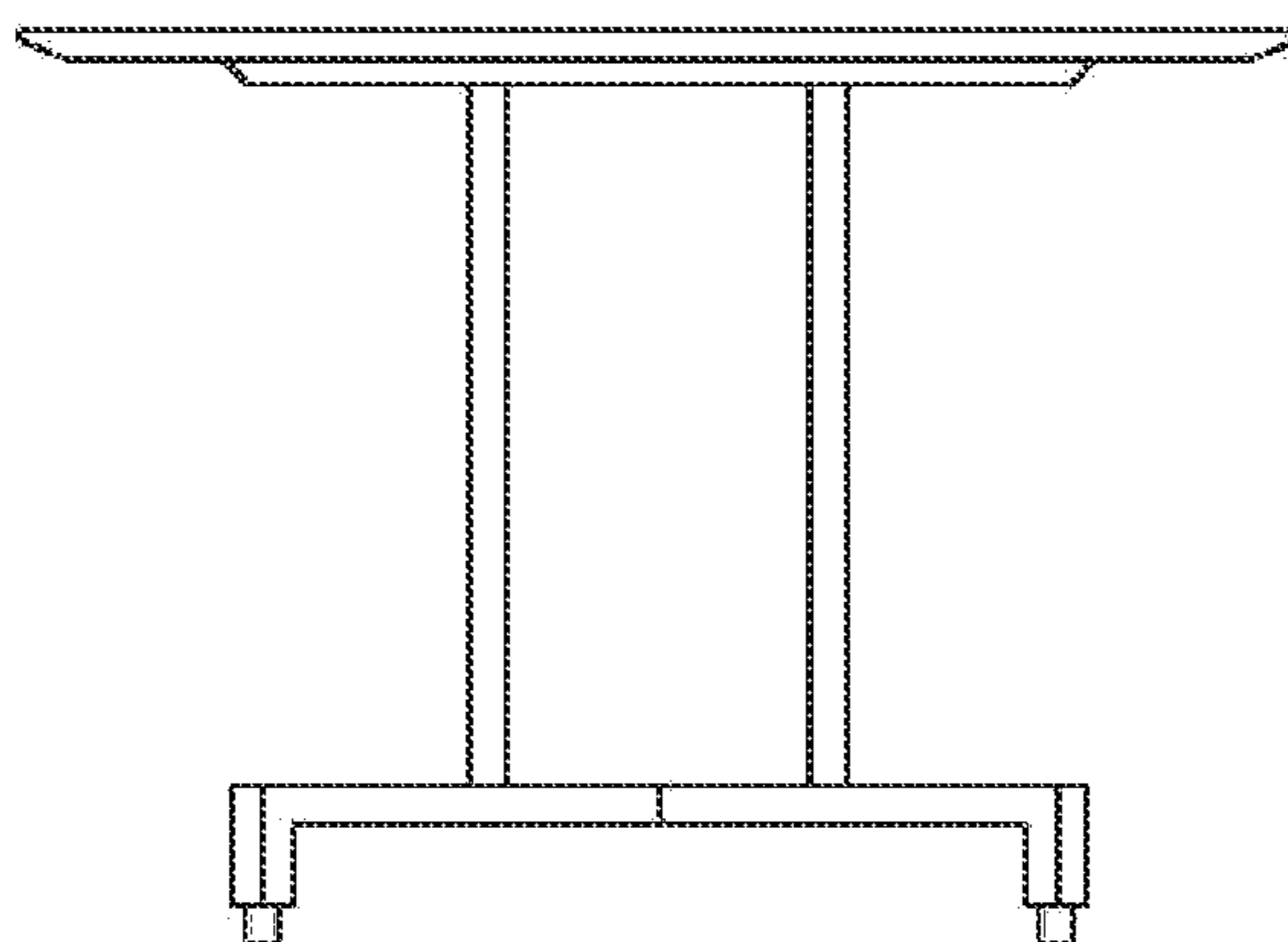


FIG. 3

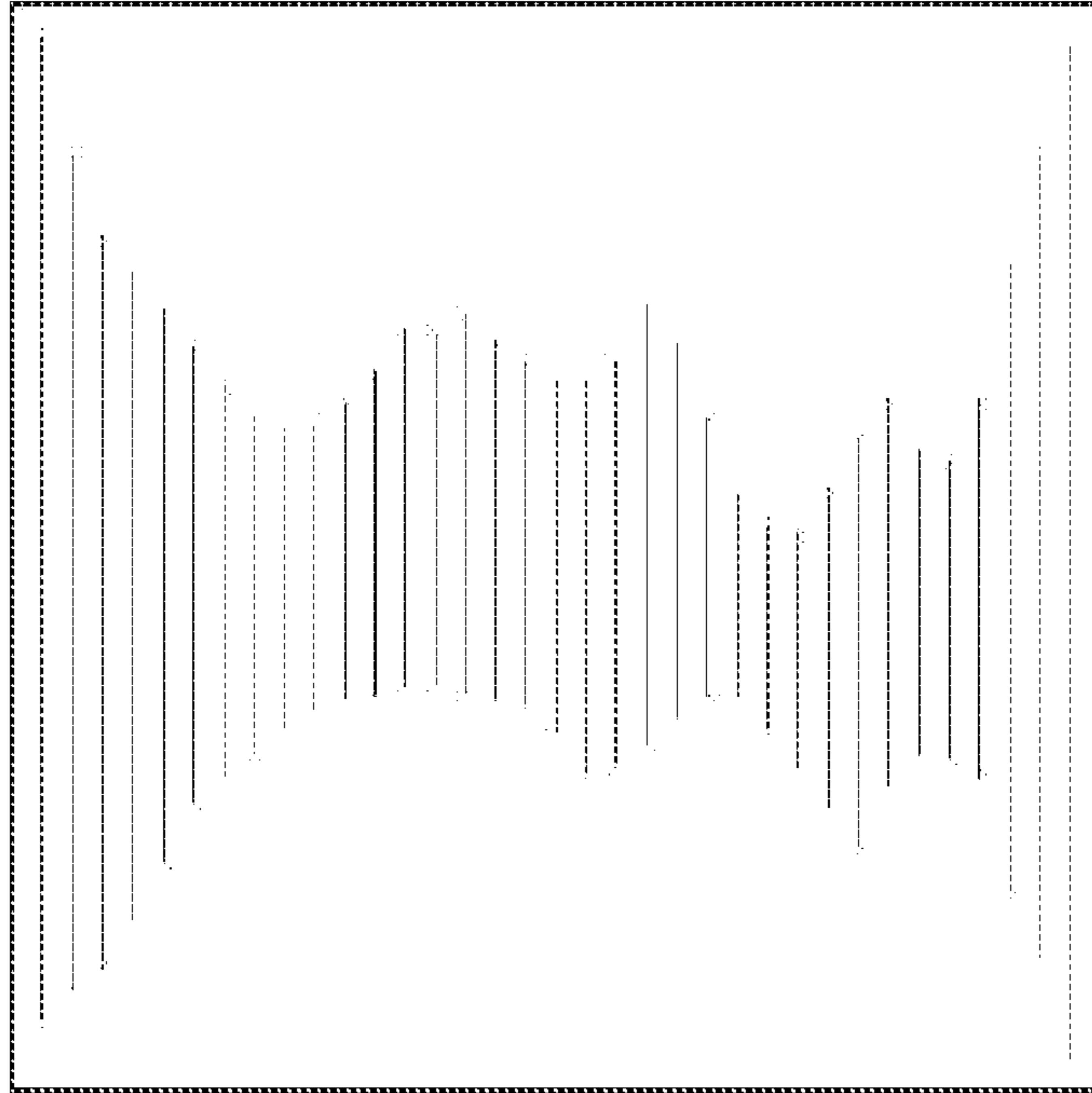


FIG. 4

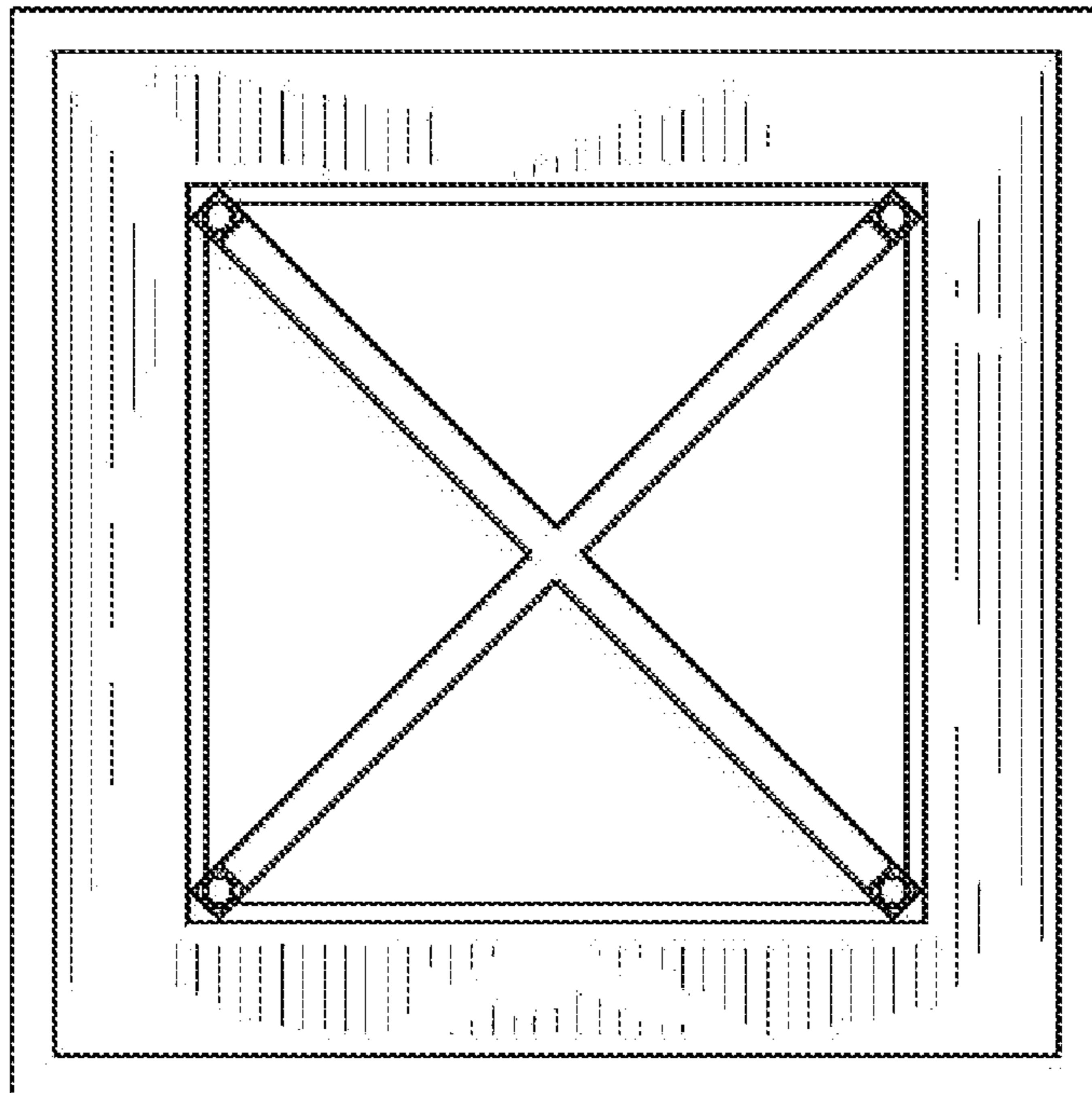


FIG. 5