

US00D570133S

(12) **United States Design Patent**  
**Goodman et al.**

(10) **Patent No.:** **US D570,133 S**  
(45) **Date of Patent:** **\*\* Jun. 3, 2008**

(54) **OVER-THE-SHELF DIVIDER**

D329,762 S \* 9/1992 Weeks ..... D6/419  
D450,543 S \* 11/2001 Hannum et al. .... D7/631

(75) Inventors: **Sheldon H. Goodman**, Solon, OH  
(US); **Kent W. Murphy**, Wooster, OH  
(US)

\* cited by examiner

(73) Assignee: **Spectrum Diversified Designs, Inc.**,  
Streetsboro, OH (US)

*Primary Examiner*—Caron D. Veynar  
*Assistant Examiner*—Sydney R. Buffalow  
(74) *Attorney, Agent, or Firm*—Pearne & Gordon LLP

(\*\*) Term: **14 Years**

(57) **CLAIM**

(21) Appl. No.: **29/275,980**

The ornamental design for an over-the shelf divider, as shown and described.

(22) Filed: **Jan. 11, 2007**

**DESCRIPTION**

(51) **LOC (8) Cl.** ..... **06-07**

(52) **U.S. Cl.** ..... **D6/462**

(58) **Field of Classification Search** ..... D6/462,  
D6/449, 499, 566, 397, 396, 546, 313, 487,  
D6/419; D7/631; 211/43, 51, 41.4, 85.31,  
211/106, 90.03, 112, 119, 126.8, 126.9, 133.2,  
211/133.5, 181.1, 184; 47/80; D19/34.1  
See application file for complete search history.

FIG. 1 is a rear perspective view of an over-the-shelf divider, showing our new design;

FIG. 2 is a front perspective view thereof;

FIG. 3 is a side elevational view thereof;

FIG. 4 is a front elevational view thereof;

FIG. 5 is a top plan view thereof;

FIG. 6 is a rear elevational view thereof; and,

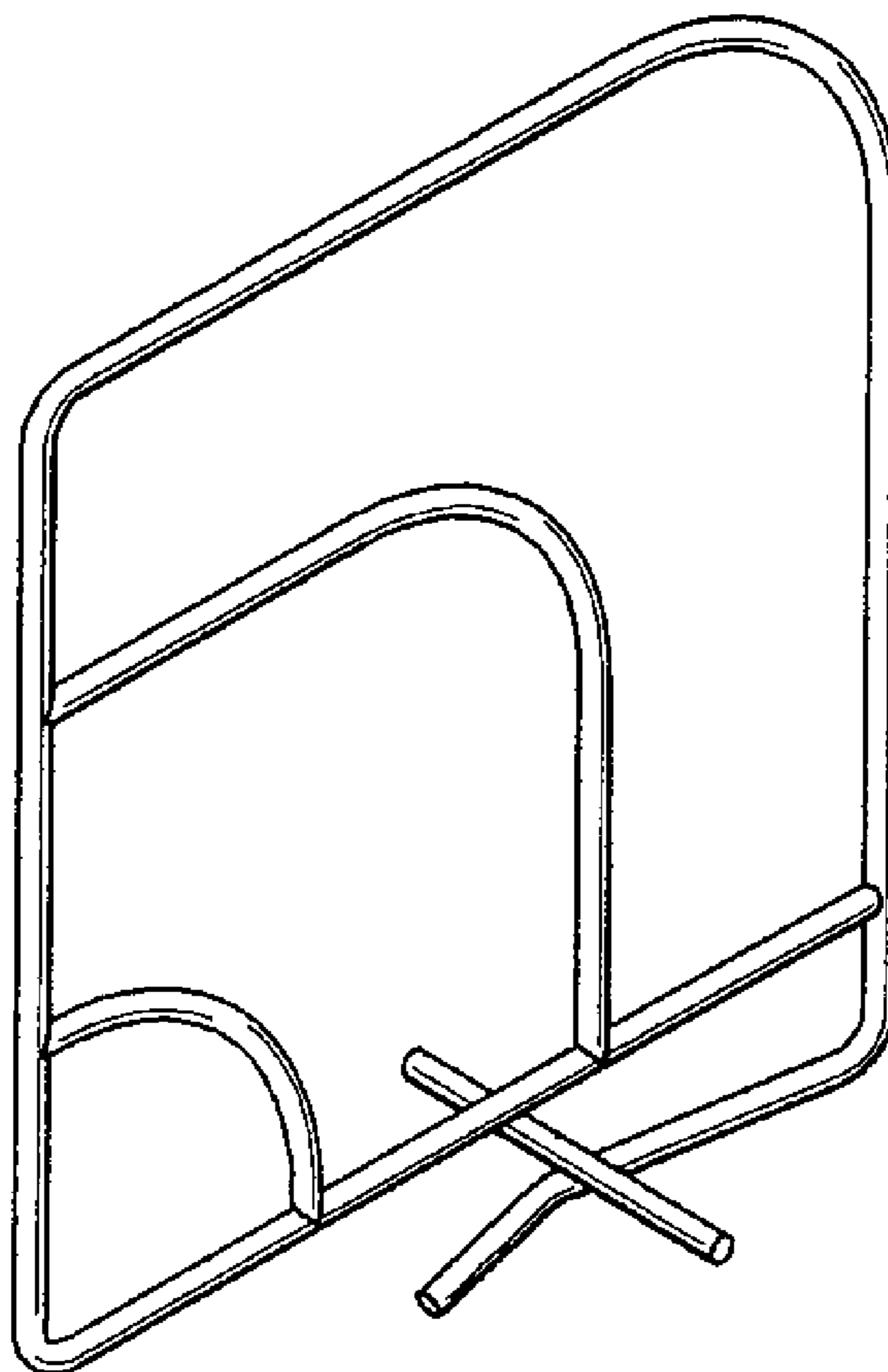
FIG. 7 is a bottom plan view thereof.

(56) **References Cited**

**U.S. PATENT DOCUMENTS**

3,063,567 A \* 11/1962 Campbell ..... 211/43

**1 Claim, 2 Drawing Sheets**



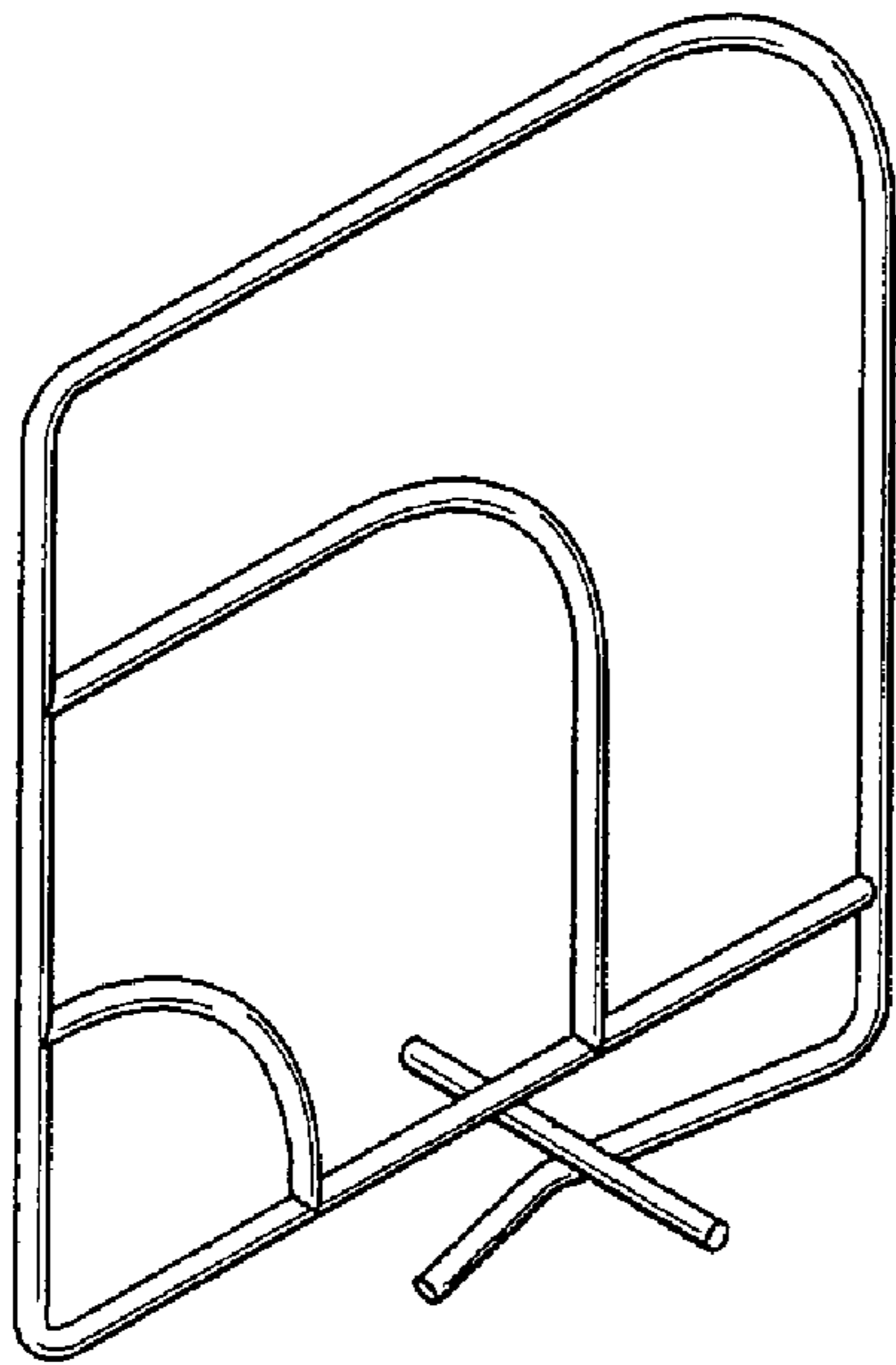


FIG. 1

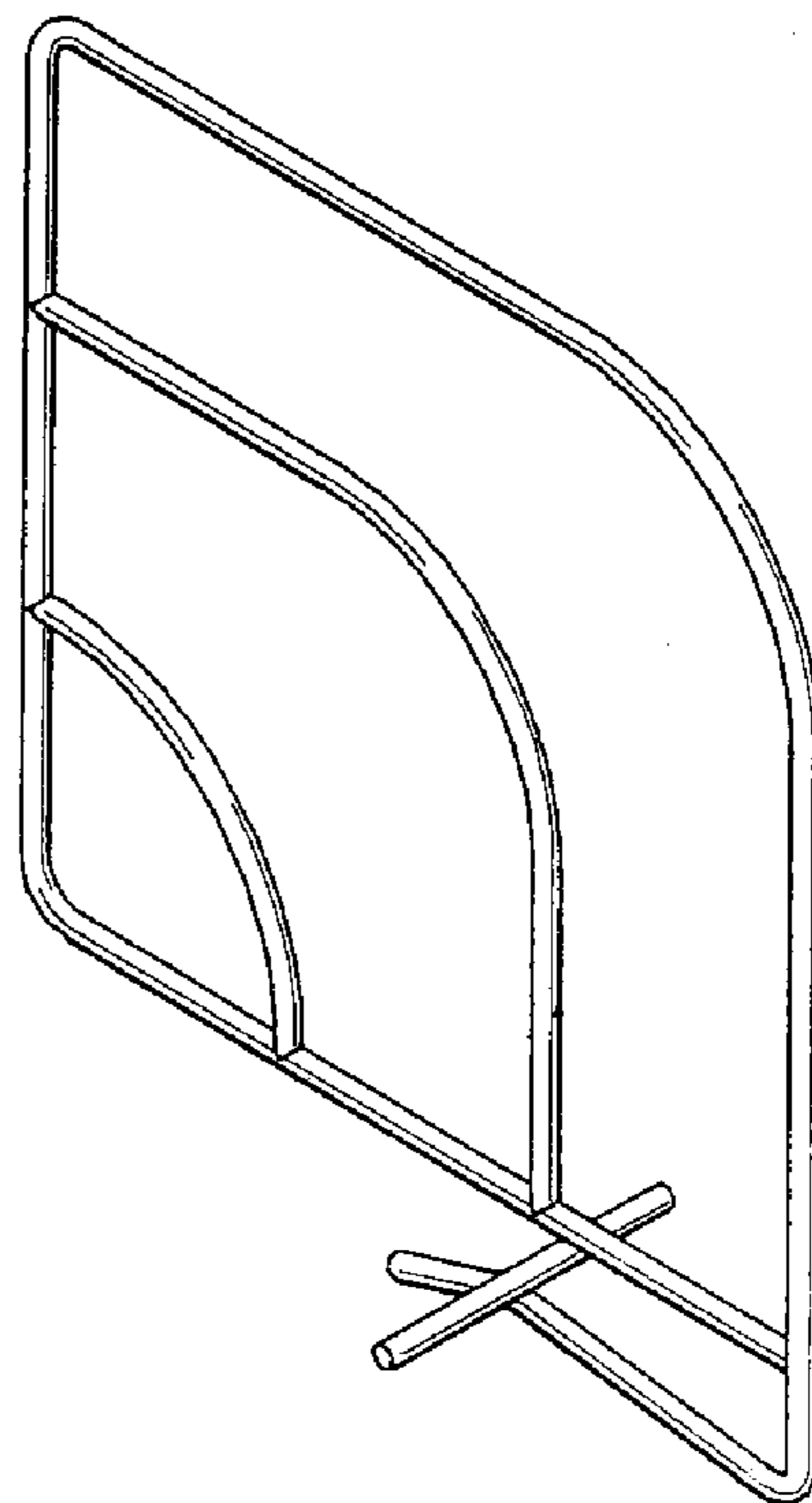


FIG. 2

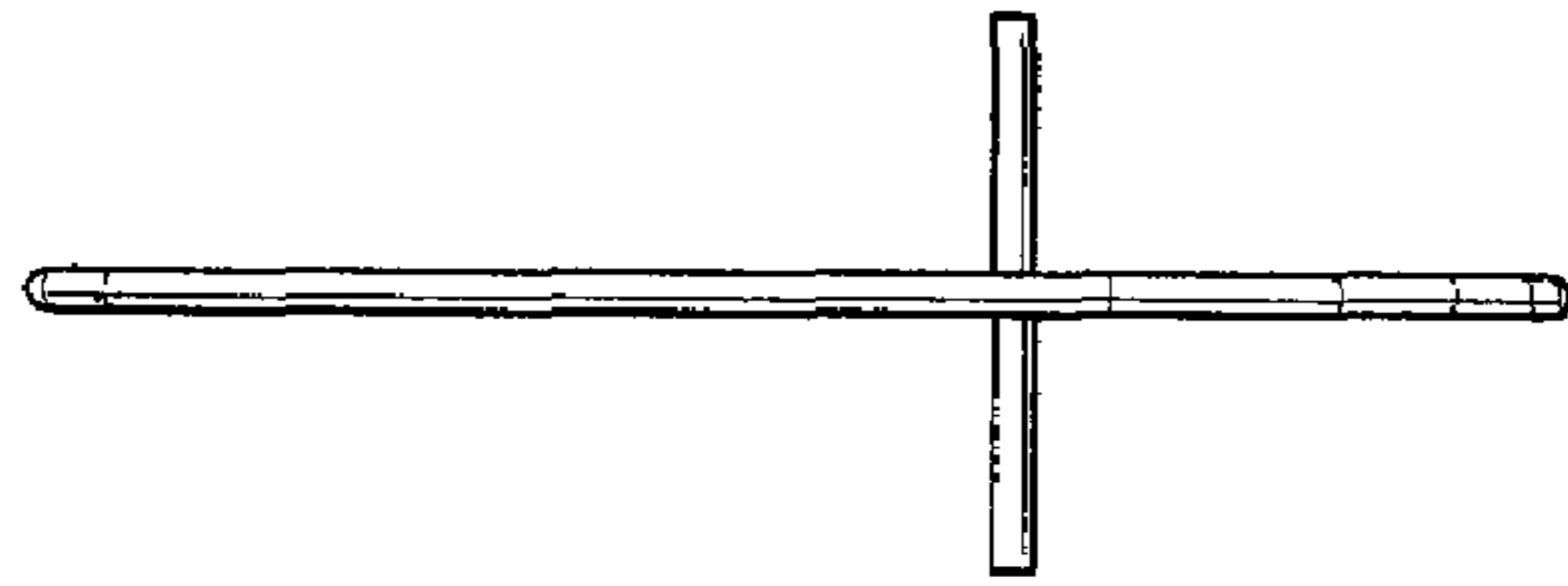


FIG. 5

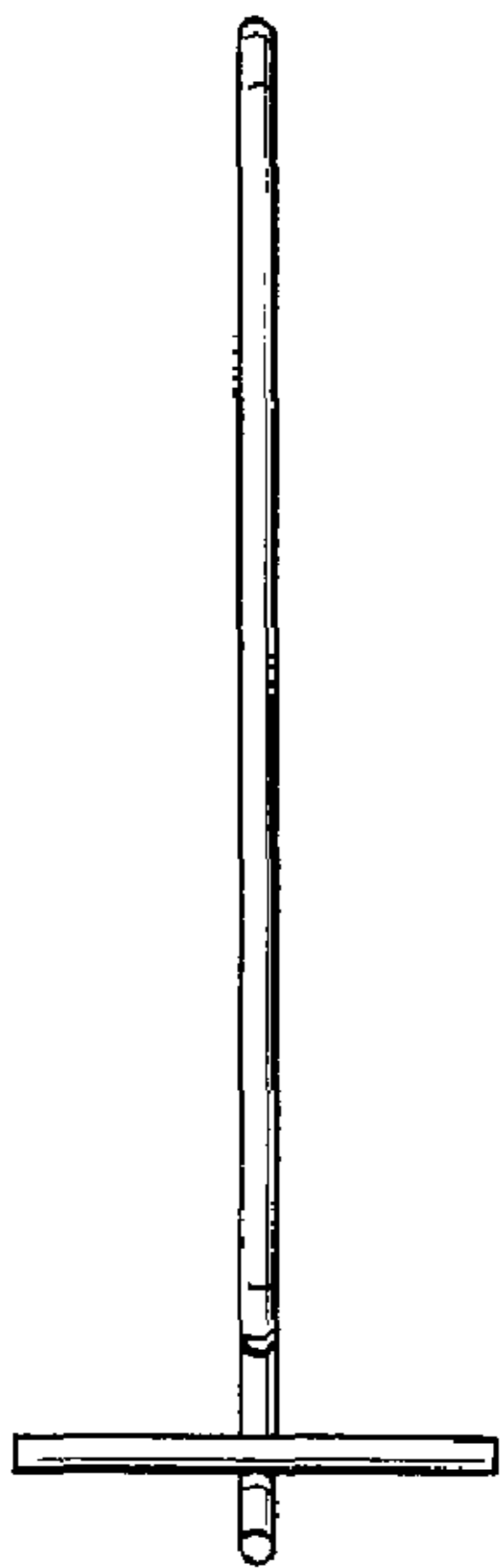


FIG. 6

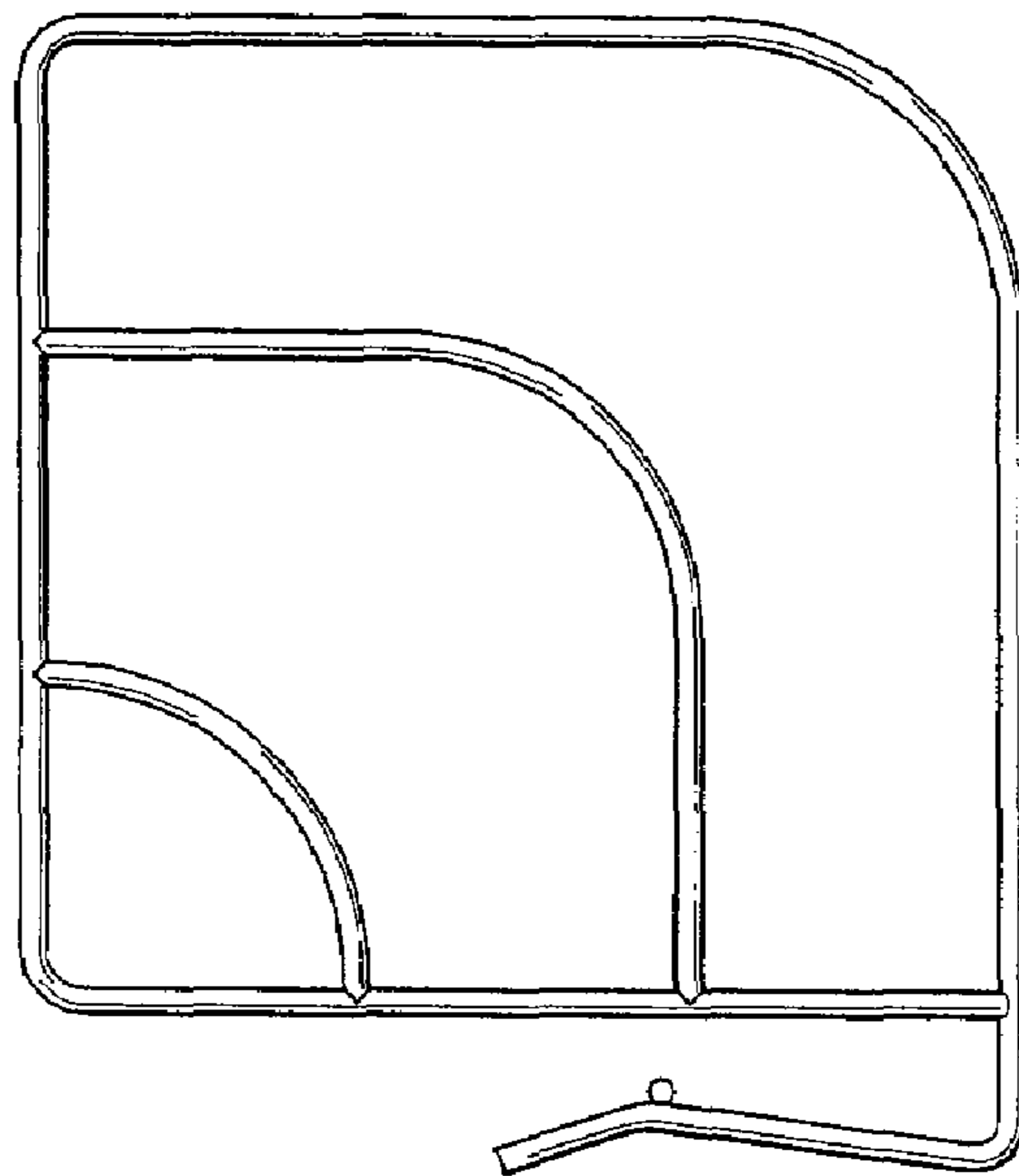


FIG. 3

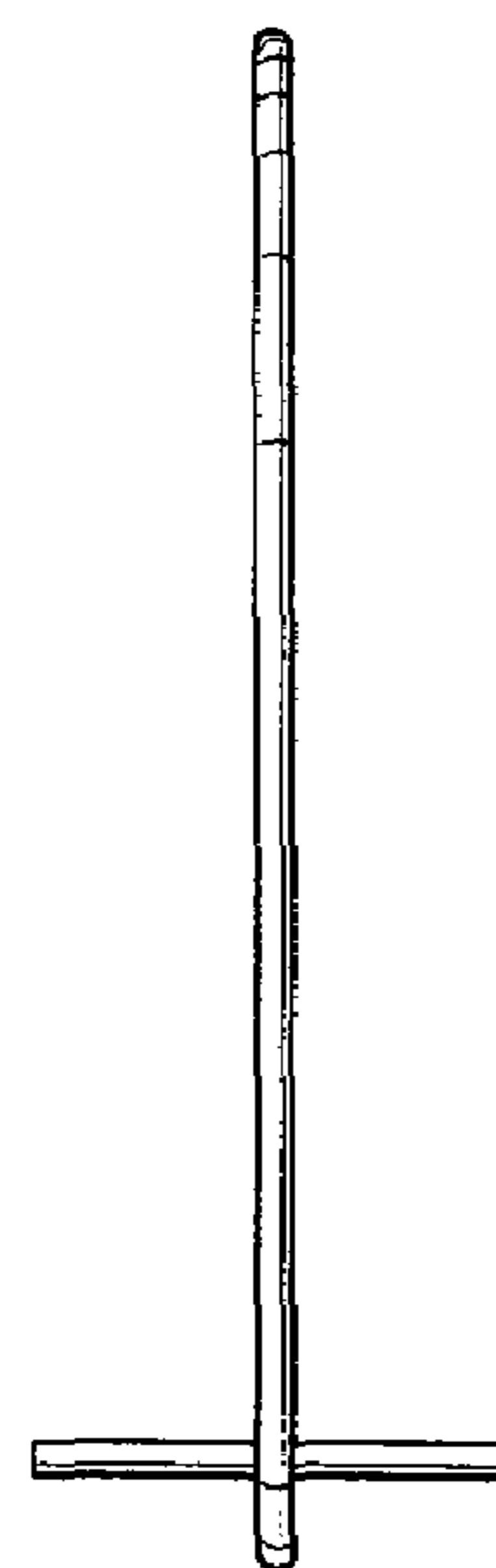


FIG. 4

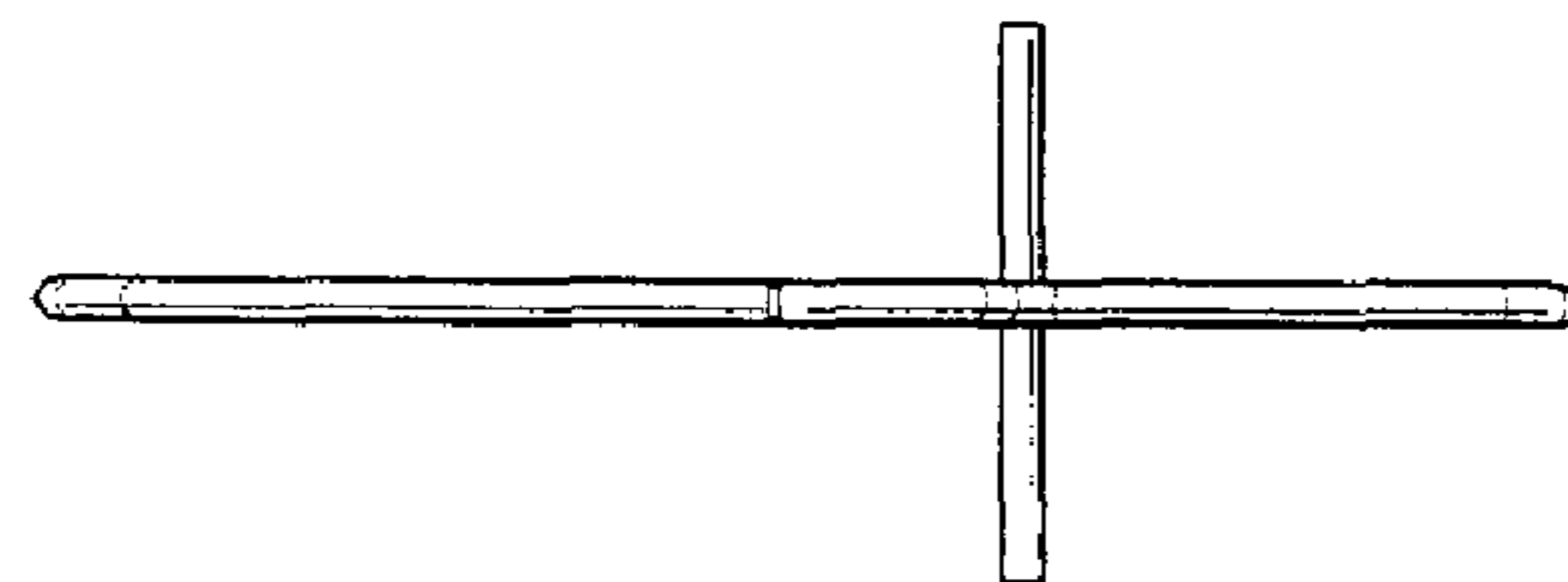


FIG. 7