



US00D570131S

(12) **United States Design Patent**
Trinh

(10) **Patent No.:** **US D570,131 S**
(45) **Date of Patent:** **** Jun. 3, 2008**

(54) **MANICURE TABLE WITH ORGANIZING SHELVES ON DOORS**

(75) Inventor: **Nguyen Trinh**, 12819 Corona, Houston, TX (US) 77072

(73) Assignee: **Nguyen Trinh**, Houston, TX (US)

(**) Term: **14 Years**

(21) Appl. No.: **29/284,528**

(22) Filed: **Sep. 10, 2007**

(51) **LOC (8) Cl.** **06-03**

(52) **U.S. Cl.** **D6/422**

(58) **Field of Classification Search** D6/422-428, D6/397, 429-431; 108/50.01, 50.02, 33, 108/34, 115, 38; 312/194-196, 239
See application file for complete search history.

(56) **References Cited**

U.S. PATENT DOCUMENTS

1,798,800 A *	3/1931	MacKnight	312/198
D118,943 S *	2/1940	Krick	D6/426
D134,727 S *	1/1943	Weber	D6/422
D150,739 S *	8/1948	Thomson	D6/425
D178,427 S *	7/1956	Ritzerfeld	D6/425
3,078,133 A *	2/1963	Schauer	312/321.5

D222,584 S * 11/1971 Lieberman D6/422

* cited by examiner

Primary Examiner—Janice E Seeger

(57) **CLAIM**

The ornamental design for a manicure table with organizing shelves on doors, as shown and described.

DESCRIPTION

FIG. 1 is a perspective view of a manicure table with organizing shelves on doors, the doors illustrated in an open position, showing my new design;

FIG. 2 is a front elevational view of the invention, illustrated with the doors in a closed position;

FIG. 3 is a rear elevational view of the invention;

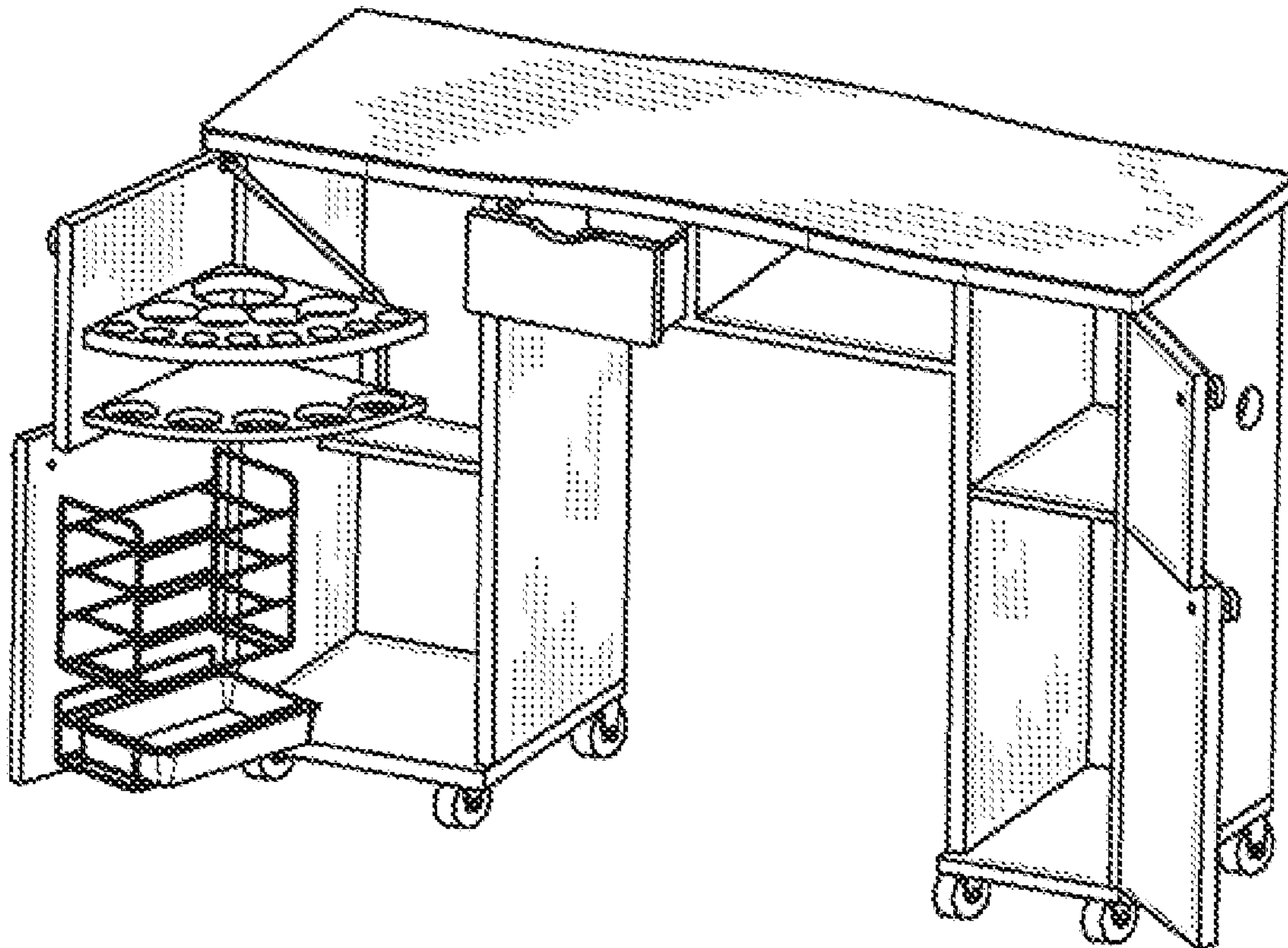
FIG. 4 is a right-side elevational view of the invention, illustrated with the doors in the closed position;

FIG. 5 is a left-side elevational view of the invention, illustrated with the doors in the closed position;

FIG. 6 is a top plan view of the invention, illustrated with the doors in the closed position; and,

FIG. 7 is a bottom plan view of the invention, illustrated with the doors in the closed position.

1 Claim, 2 Drawing Sheets



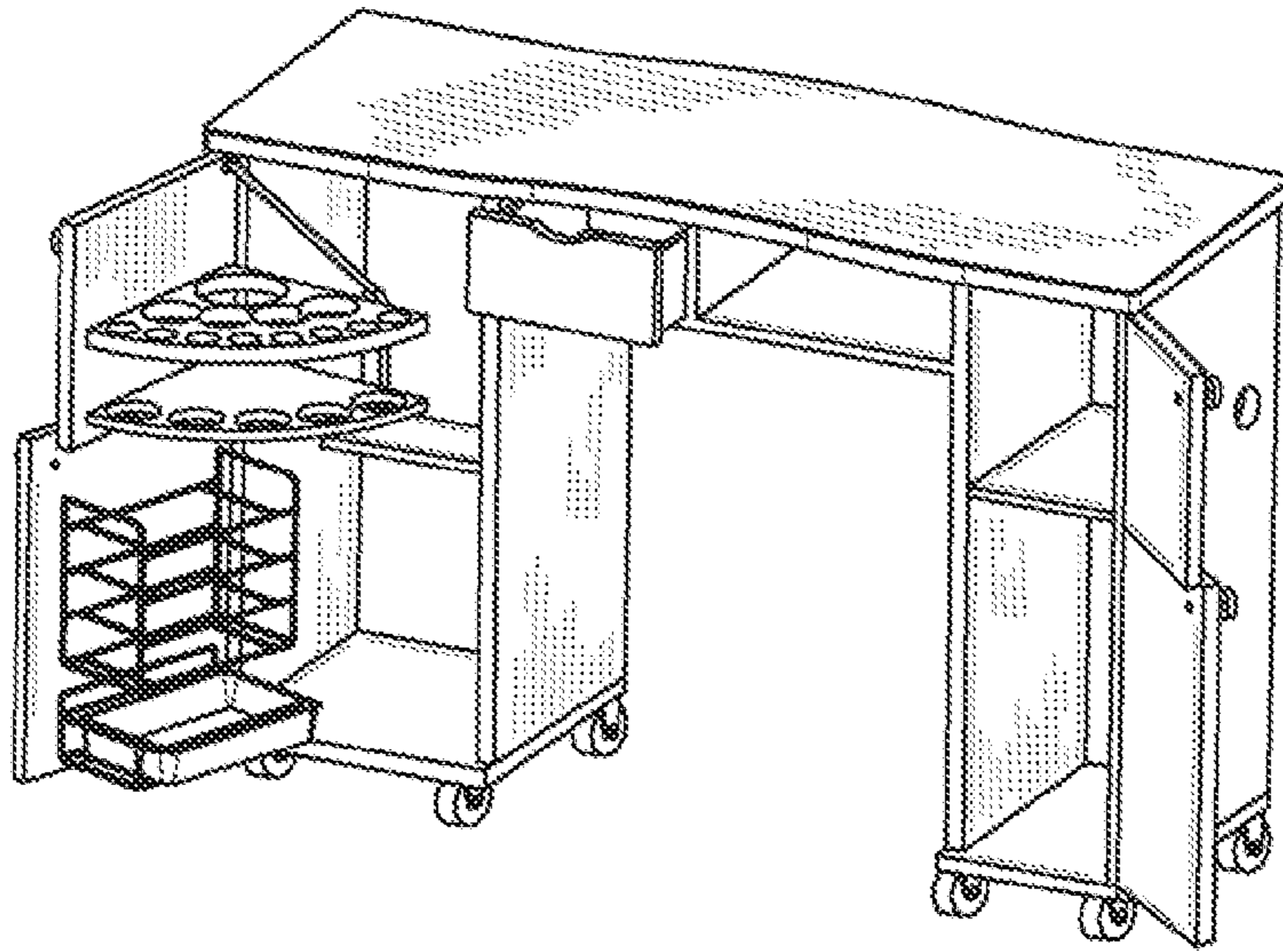


FIG. 1

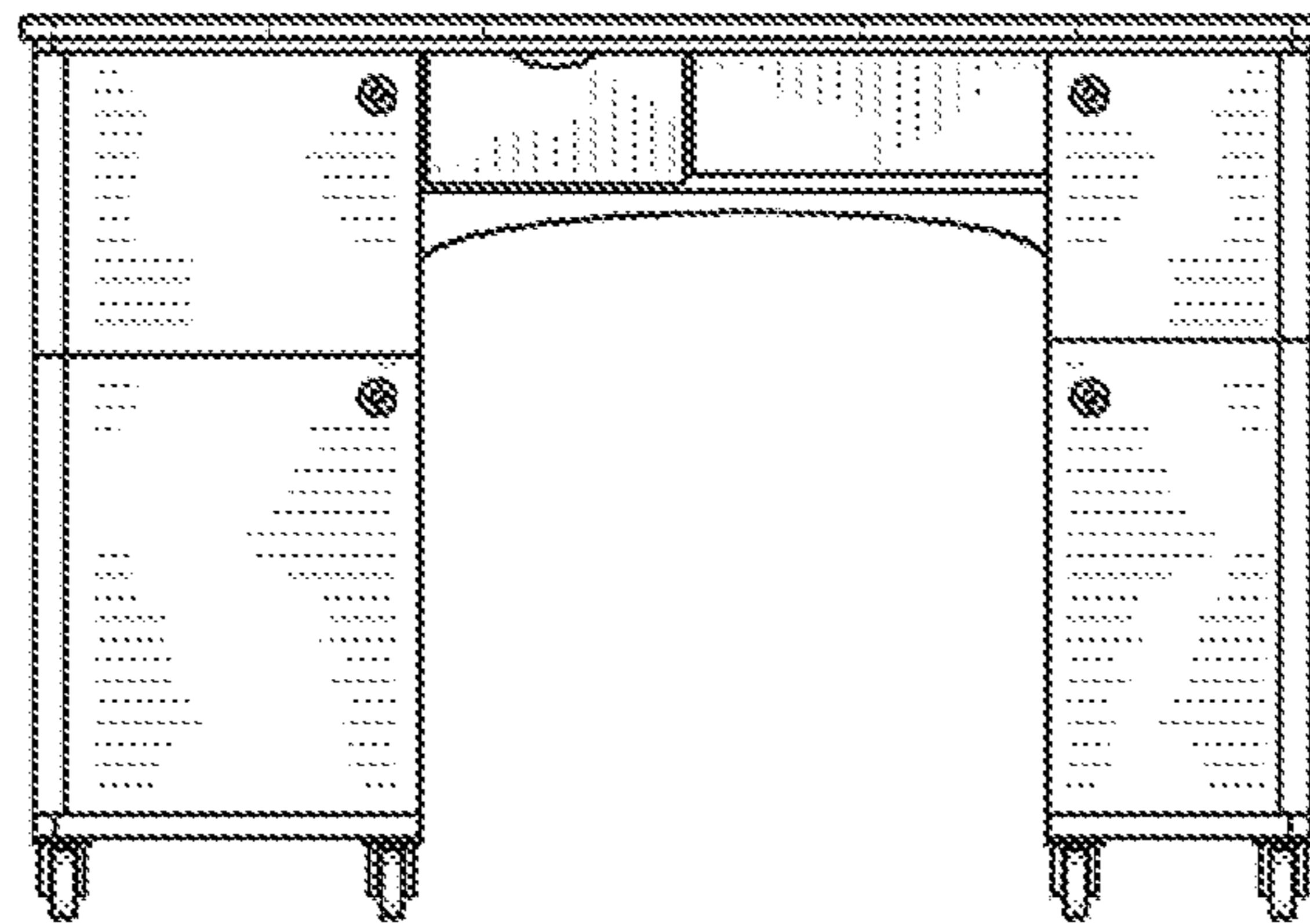


FIG. 2

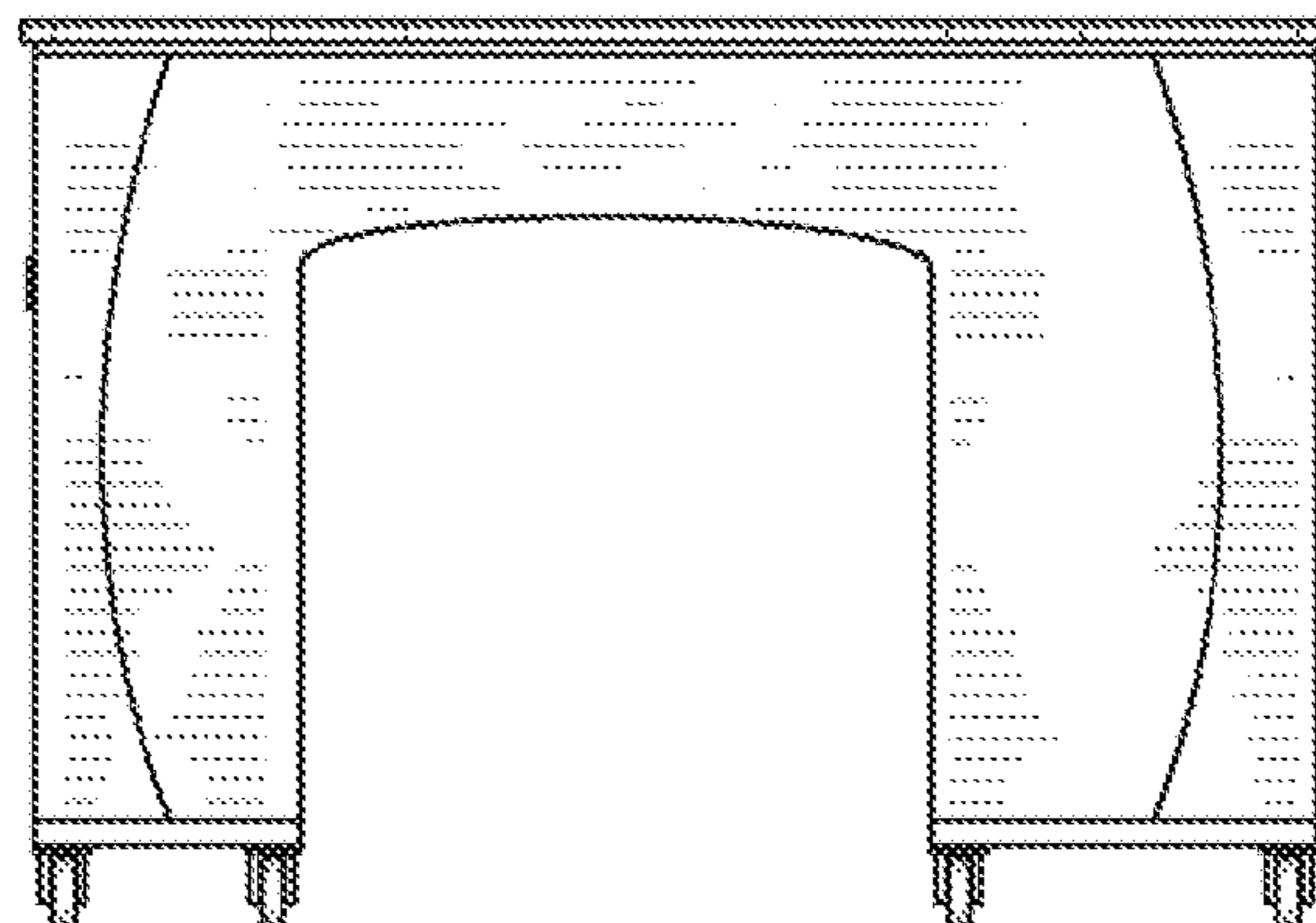


FIG. 3

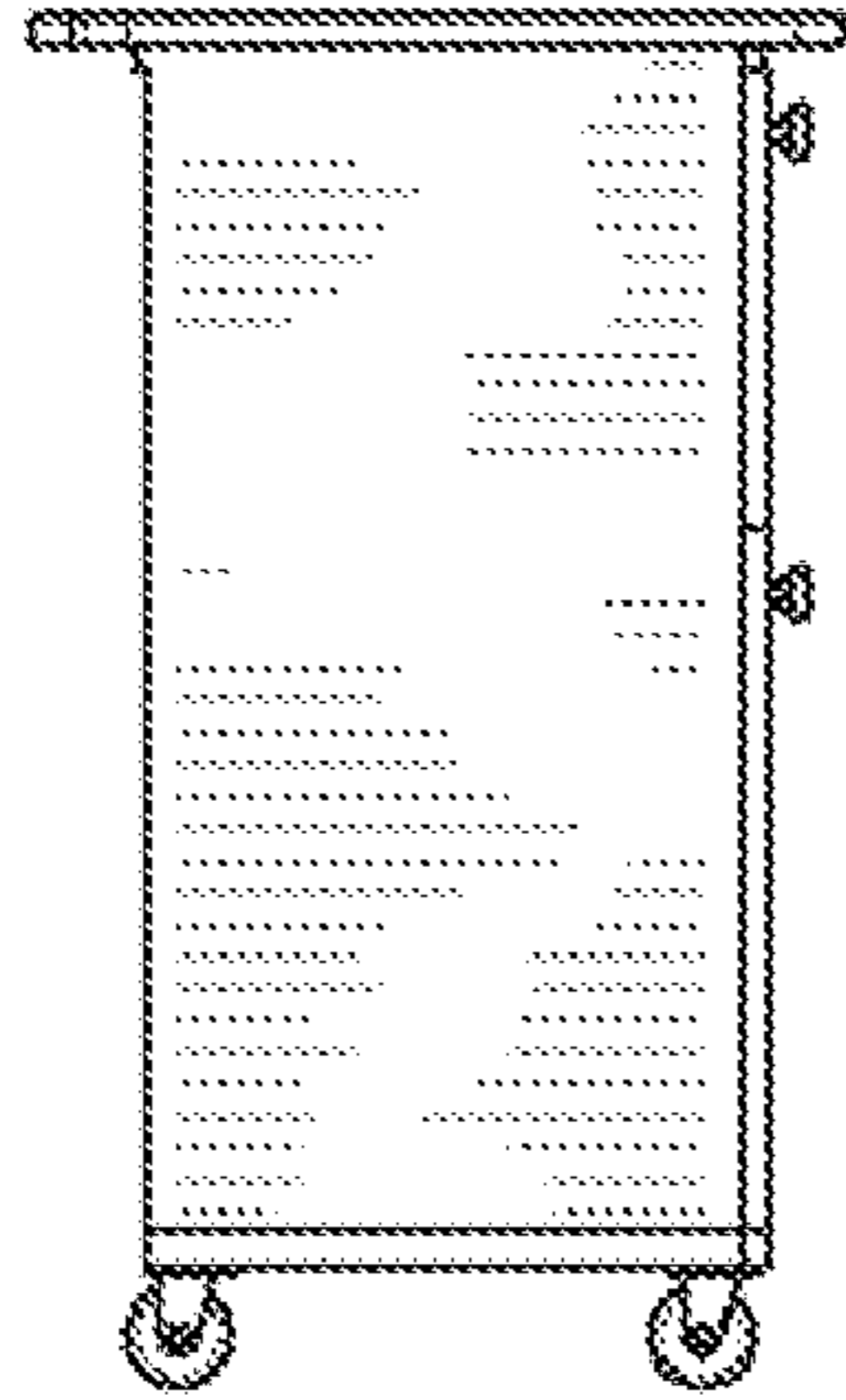


FIG. 4

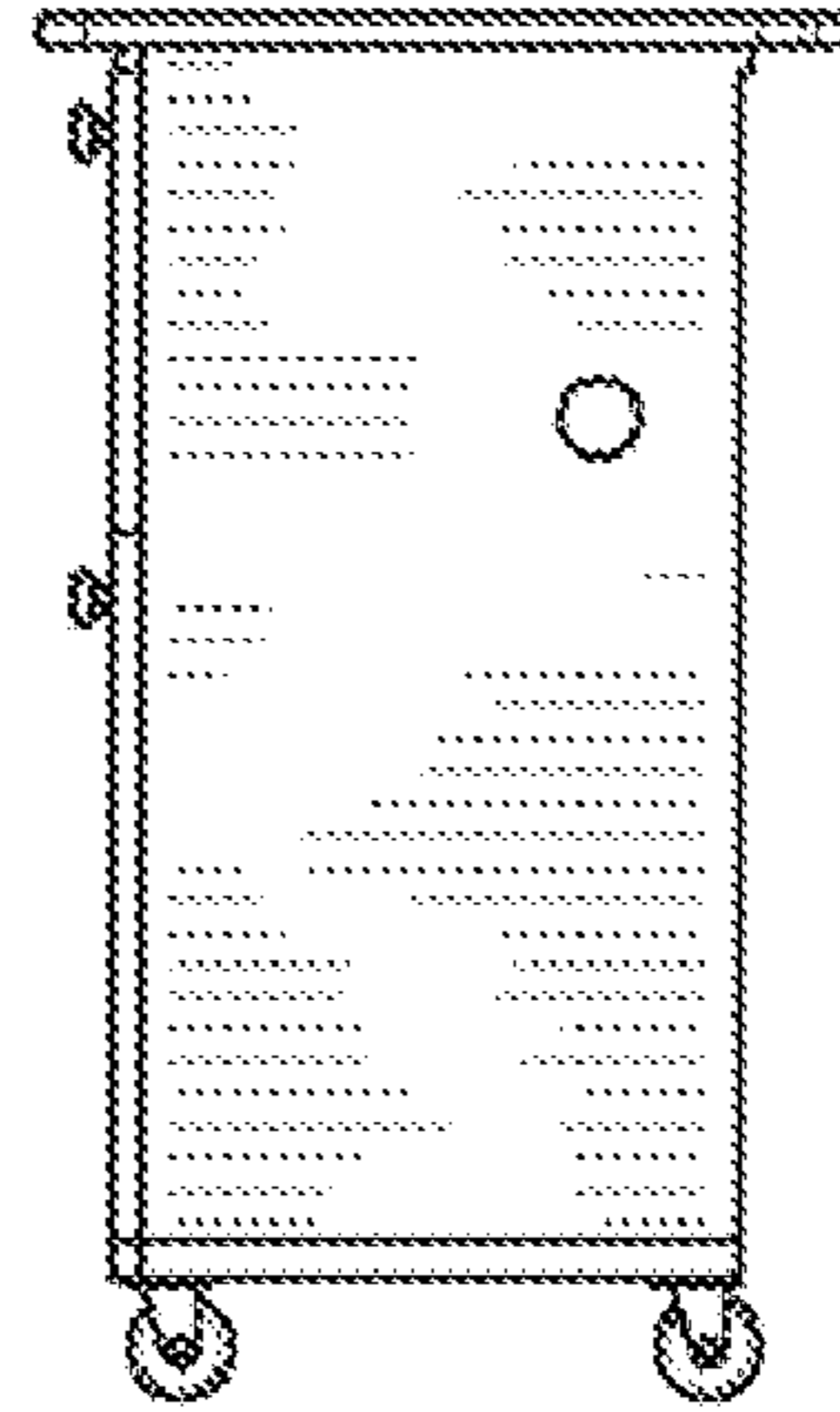


FIG. 5

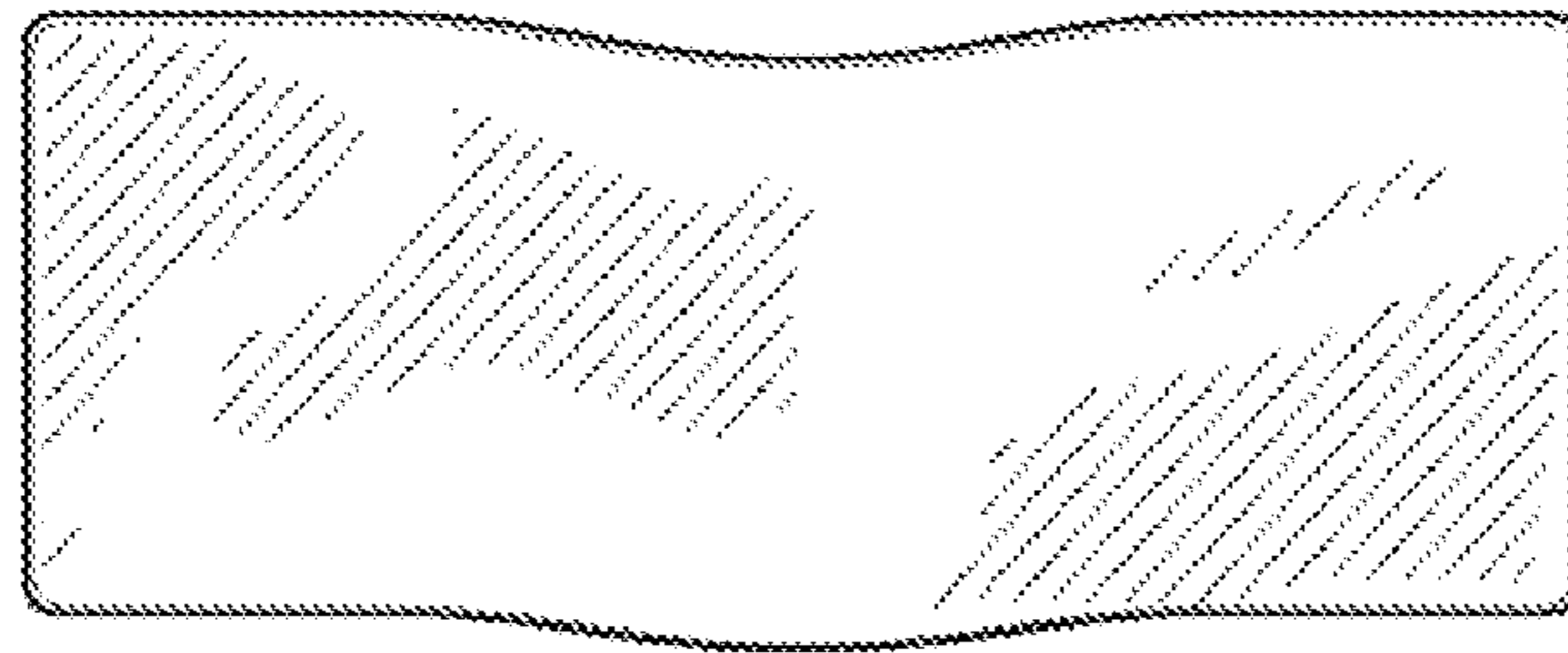


FIG. 6

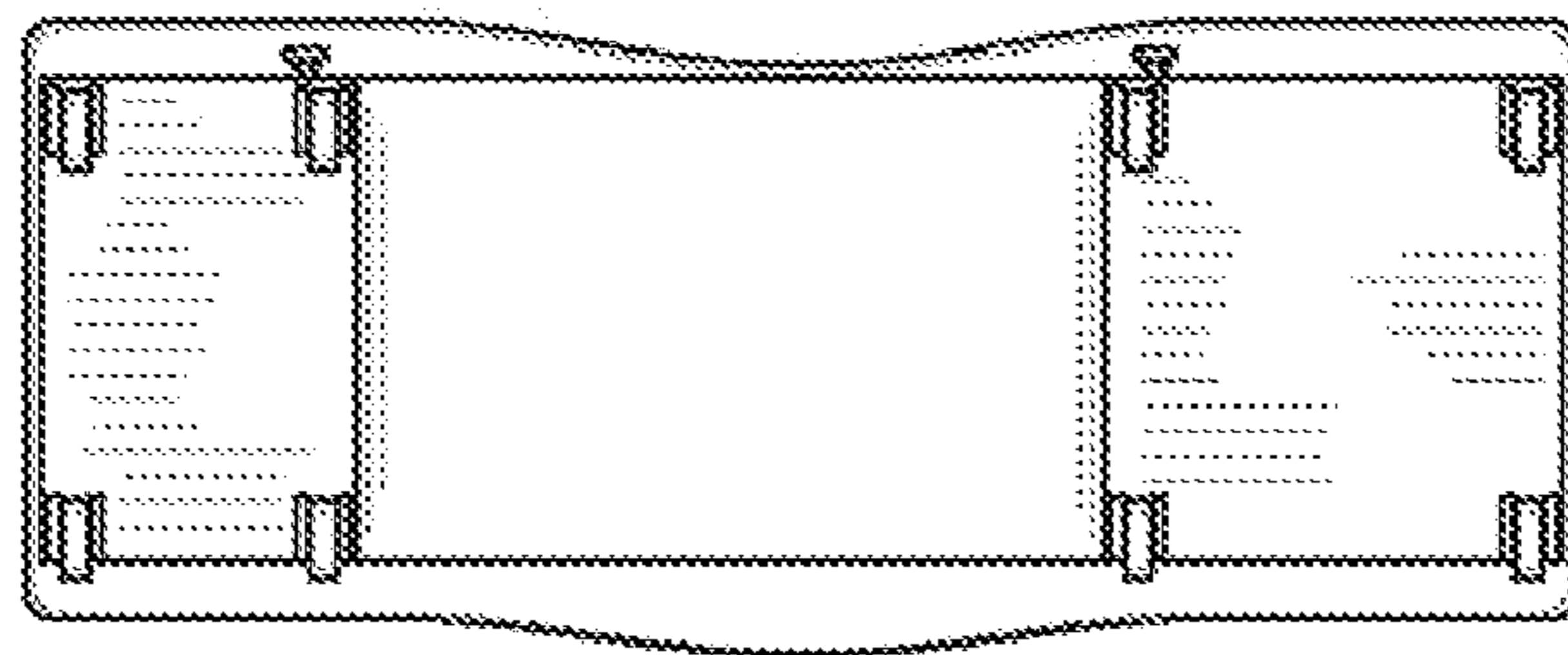


FIG. 7