



US00D570127S

(12) **United States Design Patent**
Spink

(10) **Patent No.:** **US D570,127 S**

(45) **Date of Patent:** **** Jun. 3, 2008**

(54) **PLASTIC CHAIR**

(76) Inventor: **Richard Robert Spink**, 2088 Munden Point Rd., Virginia Beach, VA (US) 23457

(**) Term: **14 Years**

(21) Appl. No.: **29/243,399**

(22) Filed: **Nov. 25, 2005**

(51) **LOC (8) Cl.** **06-01**

(52) **U.S. Cl.** **D6/370**

(58) **Field of Classification Search** D6/334-336, D6/367, 368, 370, 374-376, 379, 380, 500-502; 297/31, 377, 411.43, 423.21, 445.1, 452.63
See application file for complete search history.

(56) **References Cited**

U.S. PATENT DOCUMENTS

| | | | | |
|---------------|---------|----------------|-------|--------|
| D68,027 S * | 8/1925 | Wirdack | | D6/370 |
| D109,239 S * | 4/1938 | Wolpin | | D6/370 |
| D114,478 S * | 4/1939 | Terker | | D6/370 |
| D148,391 S * | 1/1948 | Plourde et al. | | D6/370 |
| 4,707,023 A * | 11/1987 | Hickey | | 297/31 |
| D295,927 S * | 5/1988 | Hickey | | D6/370 |

| | | | | |
|---------------|---------|------------------|-------|------------|
| D319,354 S * | 8/1991 | Wolcott | | D6/370 |
| 5,120,071 A * | 6/1992 | Thibault et al. | | 297/423.21 |
| D503,550 S * | 4/2005 | Miesieski et al. | | D6/336 |
| D511,902 S * | 11/2005 | Mills | | D6/370 |
| D512,577 S * | 12/2005 | Mills | | D6/370 |

* cited by examiner

Primary Examiner—Mimosa De

(74) *Attorney, Agent, or Firm*—William G. Sykes

(57) **CLAIM**

The ornamental design for a plastic chair, as shown.

DESCRIPTION

FIG. 1 is a front right isometric view of a plastic chair showing my new design;

FIG. 2 is a front view thereof;

FIG. 3 is a top plan view thereof;

FIG. 4 is a bottom plan view thereof;

FIG. 5 is a right side view thereof;

FIG. 6 is a left side view thereof; and,

FIG. 7 is a back view.

1 Claim, 7 Drawing Sheets

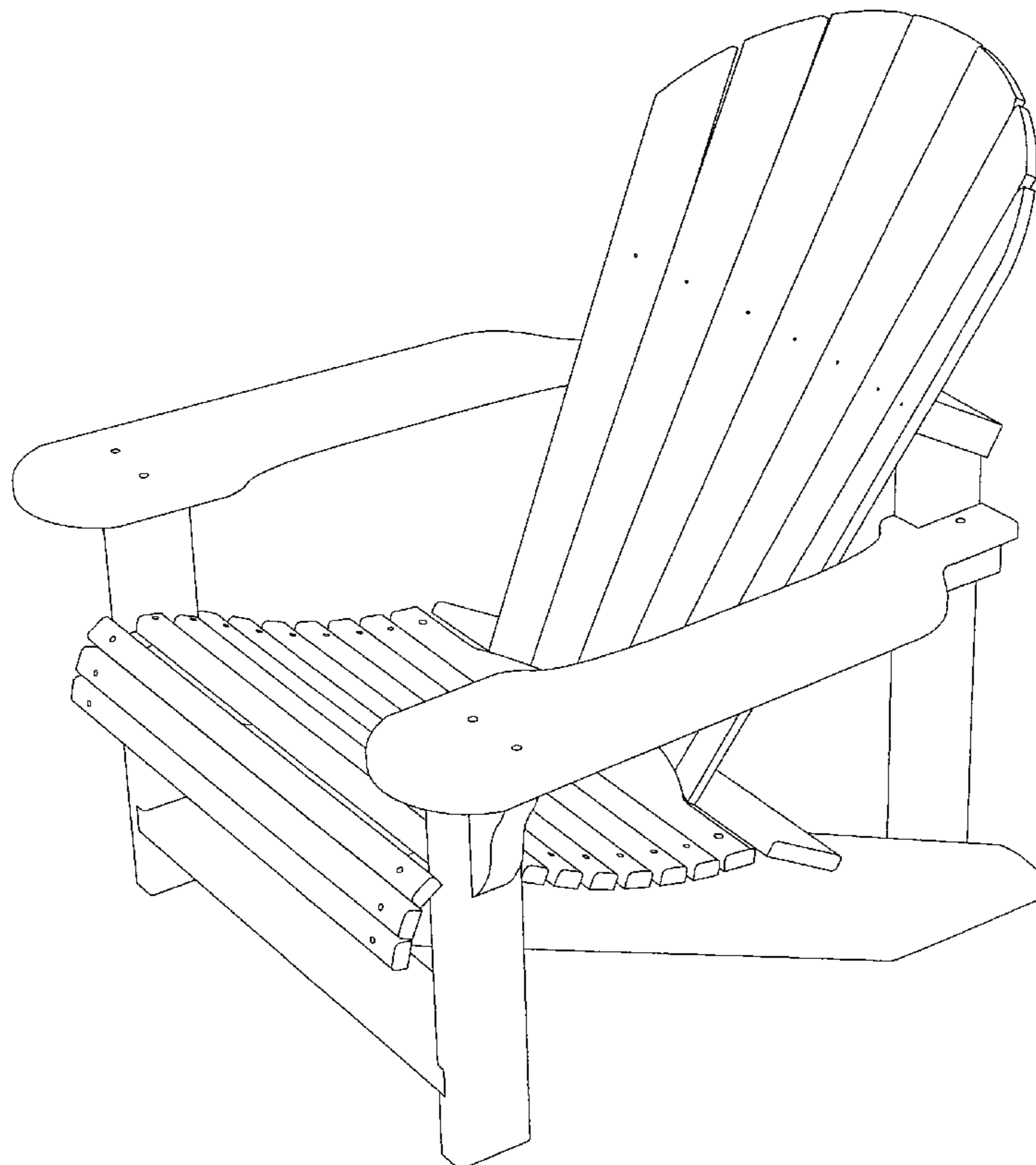




Fig. 1

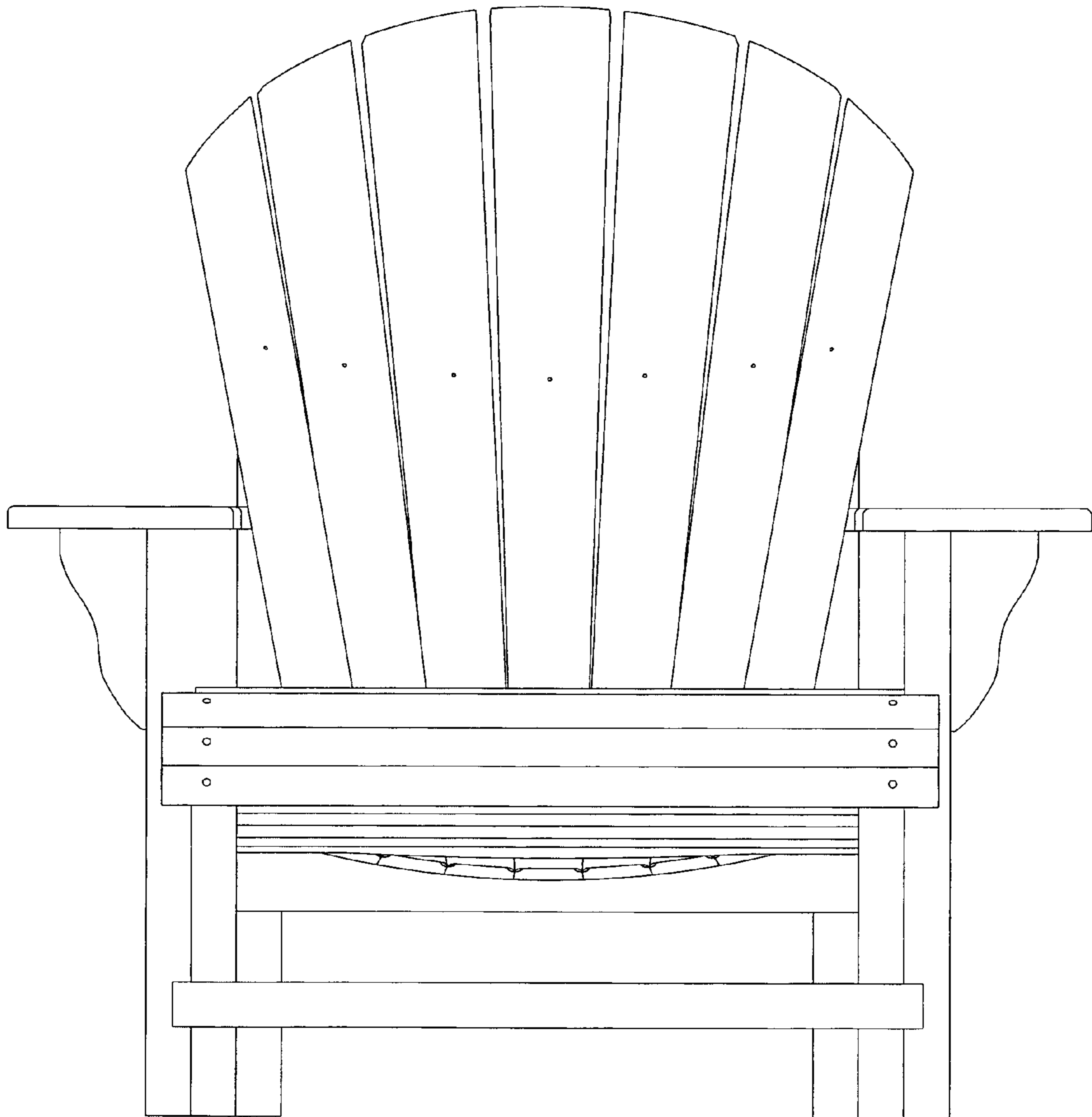


Fig. 2

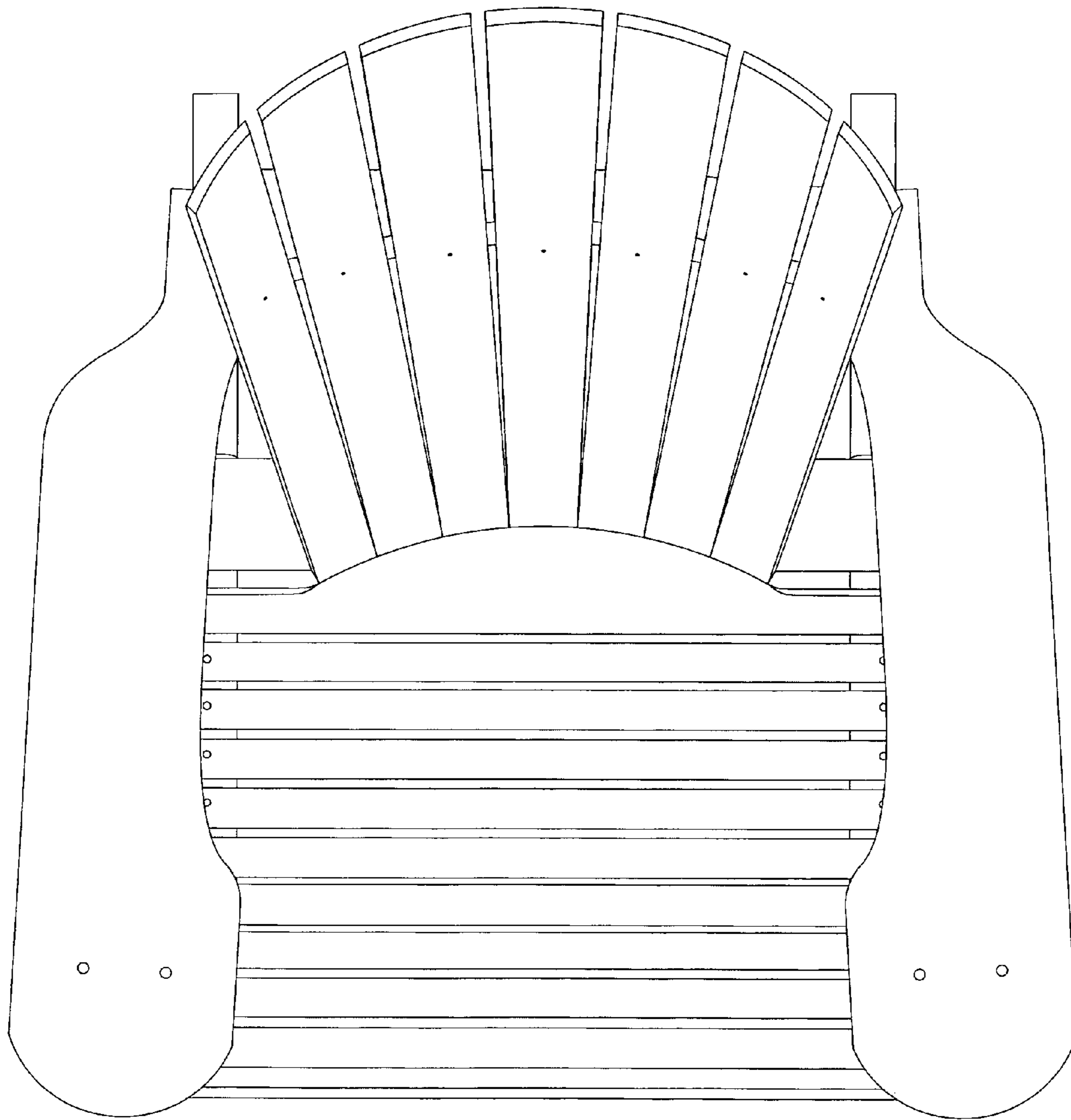


Fig. 3

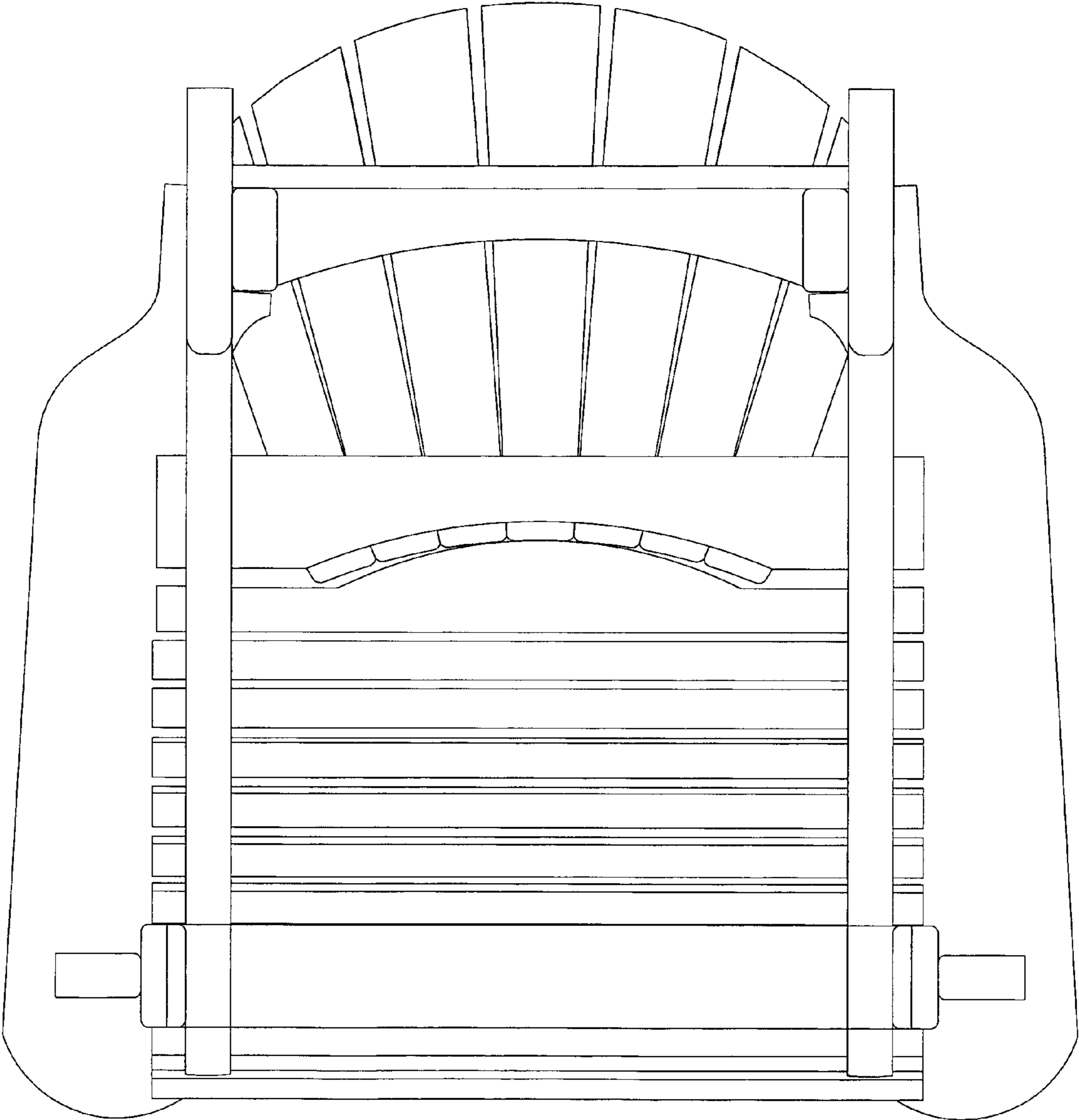


Fig. 4

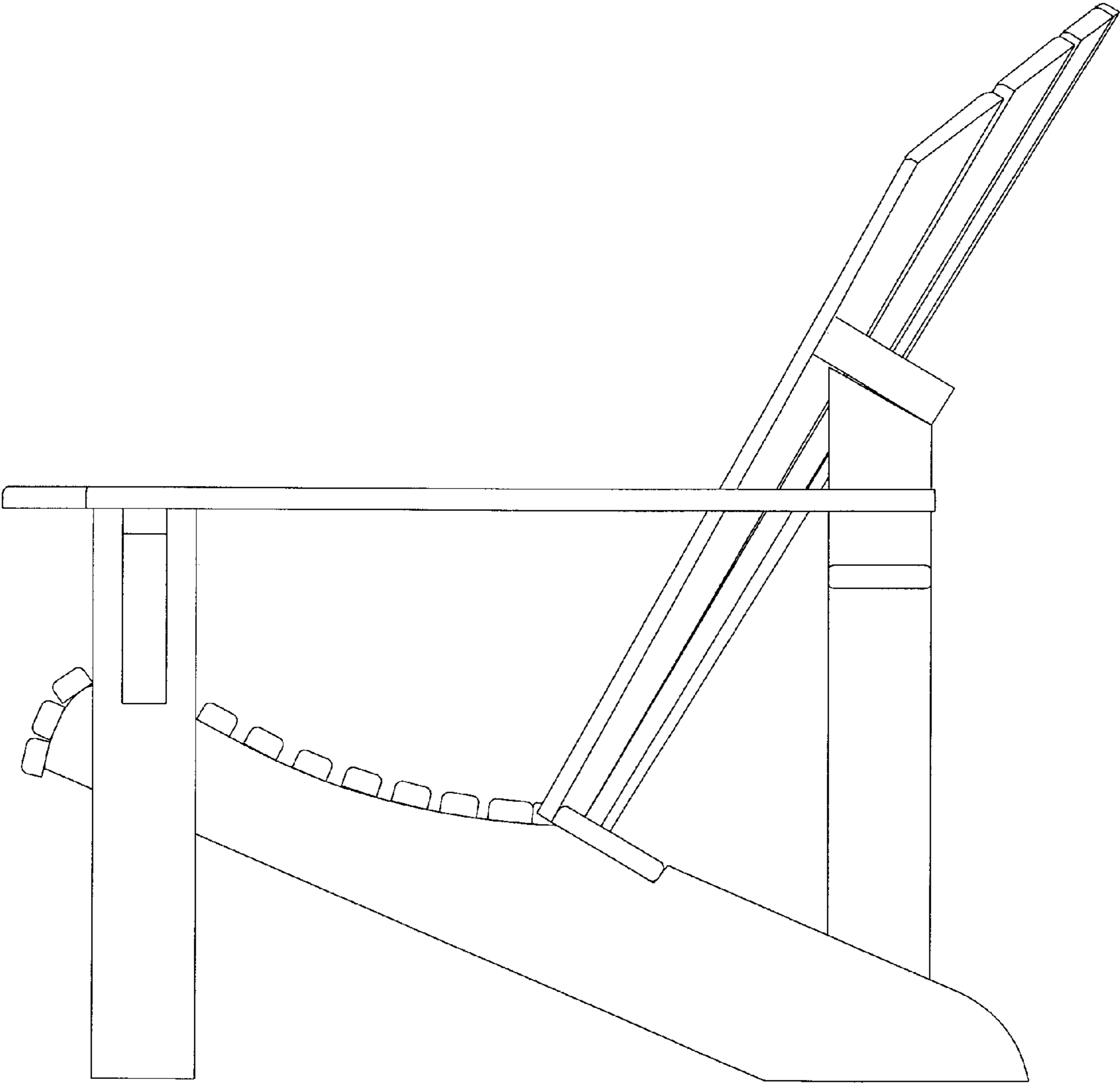


Fig. 5

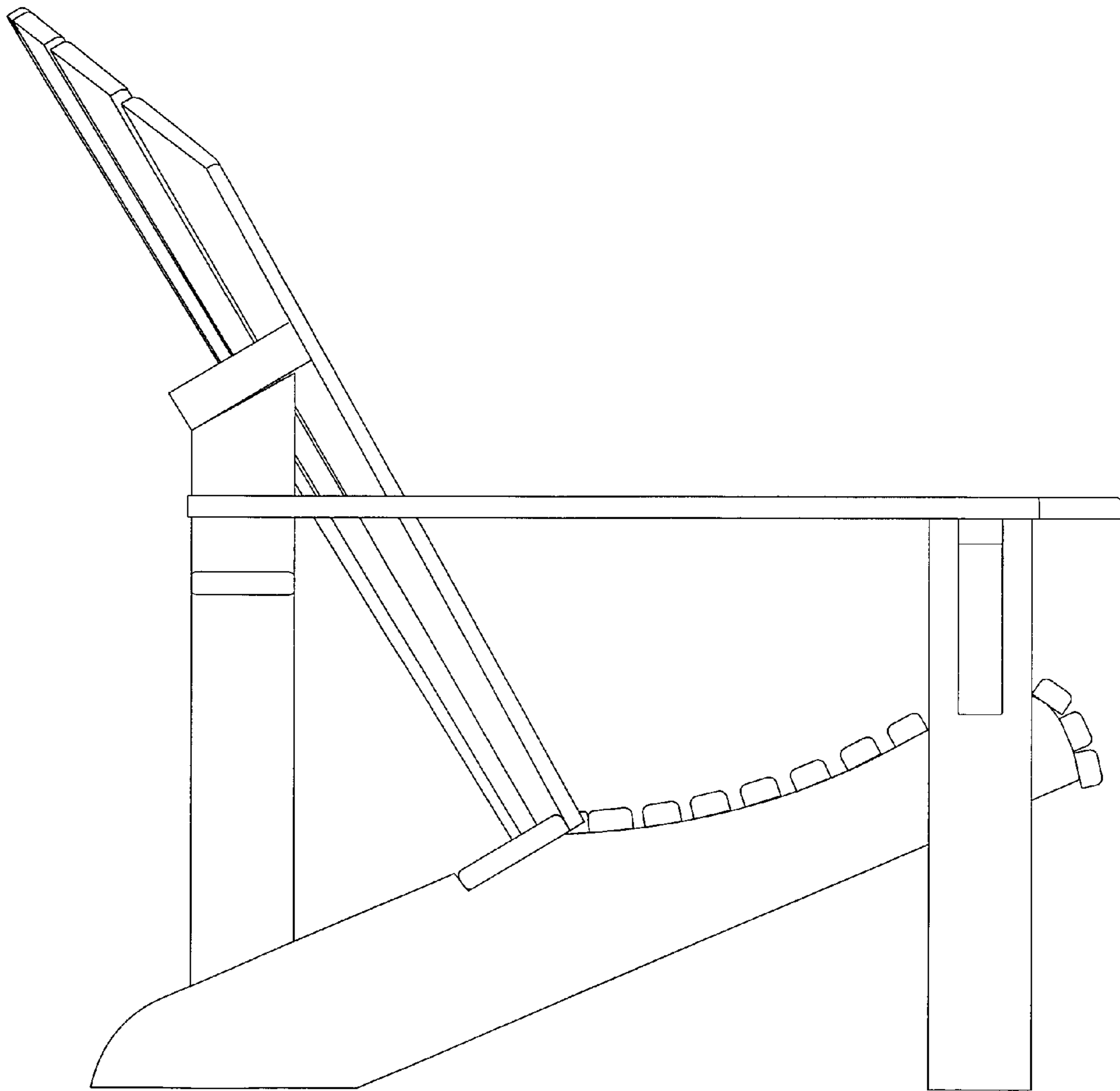


Fig. 6

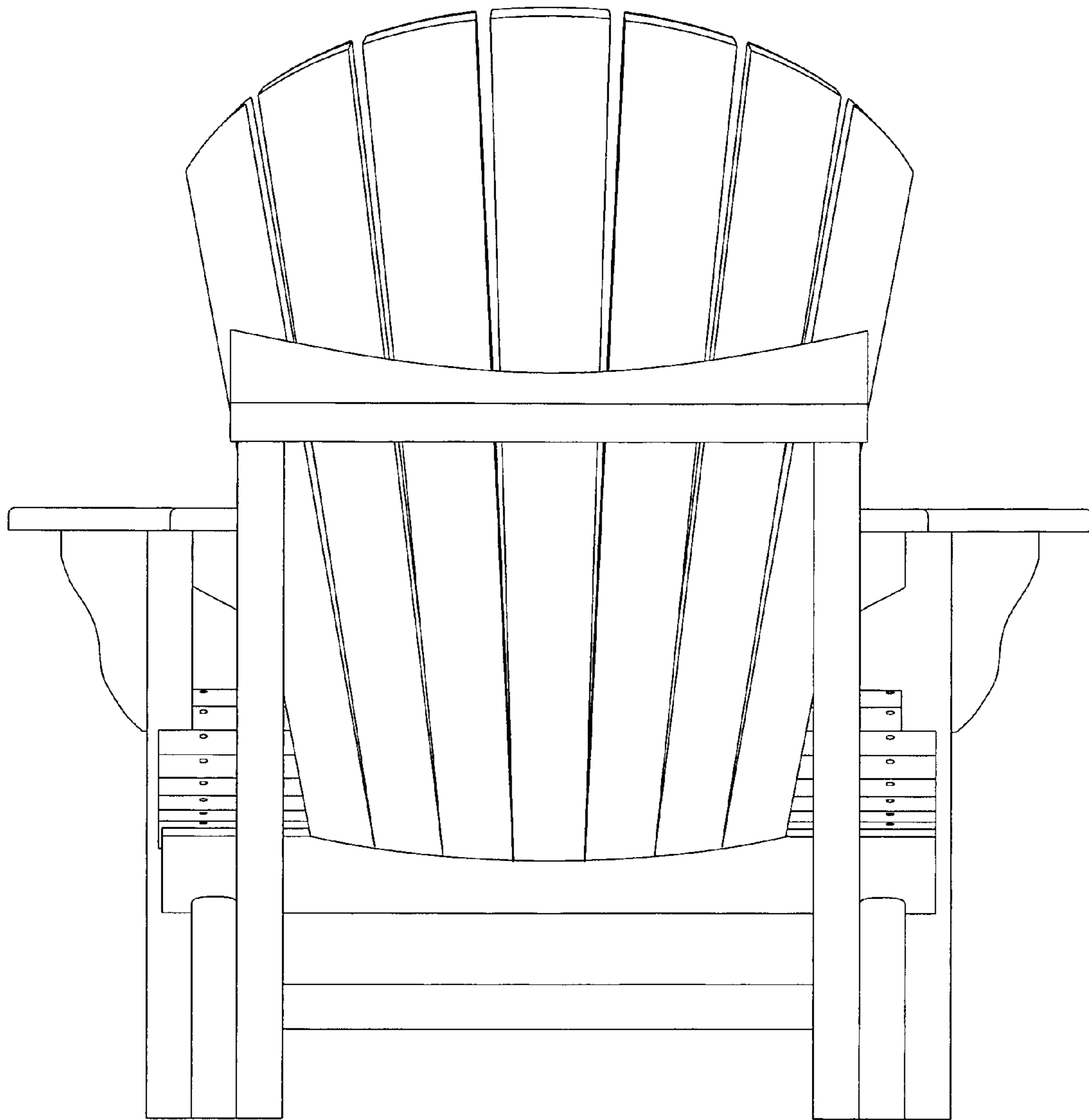


Fig. 7