



US00D570124S

(12) **United States Design Patent**  
**Auberger et al.**

(10) **Patent No.:** **US D570,124 S**  
(45) **Date of Patent:** **\*\* Jun. 3, 2008**

(54) **FURNITURE BENCH WITHOUT BACK**

D482,741 S \* 11/2003 Chaudoreille ..... D21/493  
D484,334 S \* 12/2003 Robbins et al. .... D6/484  
D506,080 S \* 6/2005 Ho ..... D6/349

(75) Inventors: **Benoît Auberger**, Mouilleron en Pareds (FR); **Christelle Boutin**, Bressuire (FR)

(73) Assignee: **WESCO Company S.A.**, Cerizay (FR)

\* cited by examiner

(\*\*) Term: **14 Years**

*Primary Examiner*—Sandra Snapp

(74) *Attorney, Agent, or Firm*—Horst M. Kasper

(21) Appl. No.: **29/288,773**

(57) **CLAIM**

(22) Filed: **Jun. 19, 2007**

The design for furniture bench without back, as shown and described.

(30) **Foreign Application Priority Data**

Dec. 19, 2006 (EM) ..... 000643333-0074

**DESCRIPTION**

(51) **LOC (8) Cl.** ..... **06-01**

(52) **U.S. Cl.** ..... **D6/349**

(58) **Field of Classification Search** ..... D6/334,  
D6/335, 337, 341, 349, 353, 354, 377, 367–369,  
D6/381, 383, 492, 500–502; 5/12.1, 12.2;  
297/16.1, 232, 16.2, 245, 283.2, 353, 354.1,  
297/445.1, 448.1

See application file for complete search history.

FIG. 1 is a front elevational view of furniture bench without back;

FIG. 2 is a top plan view thereof;

FIG. 3 is a rear elevational view thereof;

FIG. 4 is a right side elevational view thereof;

FIG. 5 is a left side elevational view thereof;

FIG. 6 is a bottom plan view thereof; and,

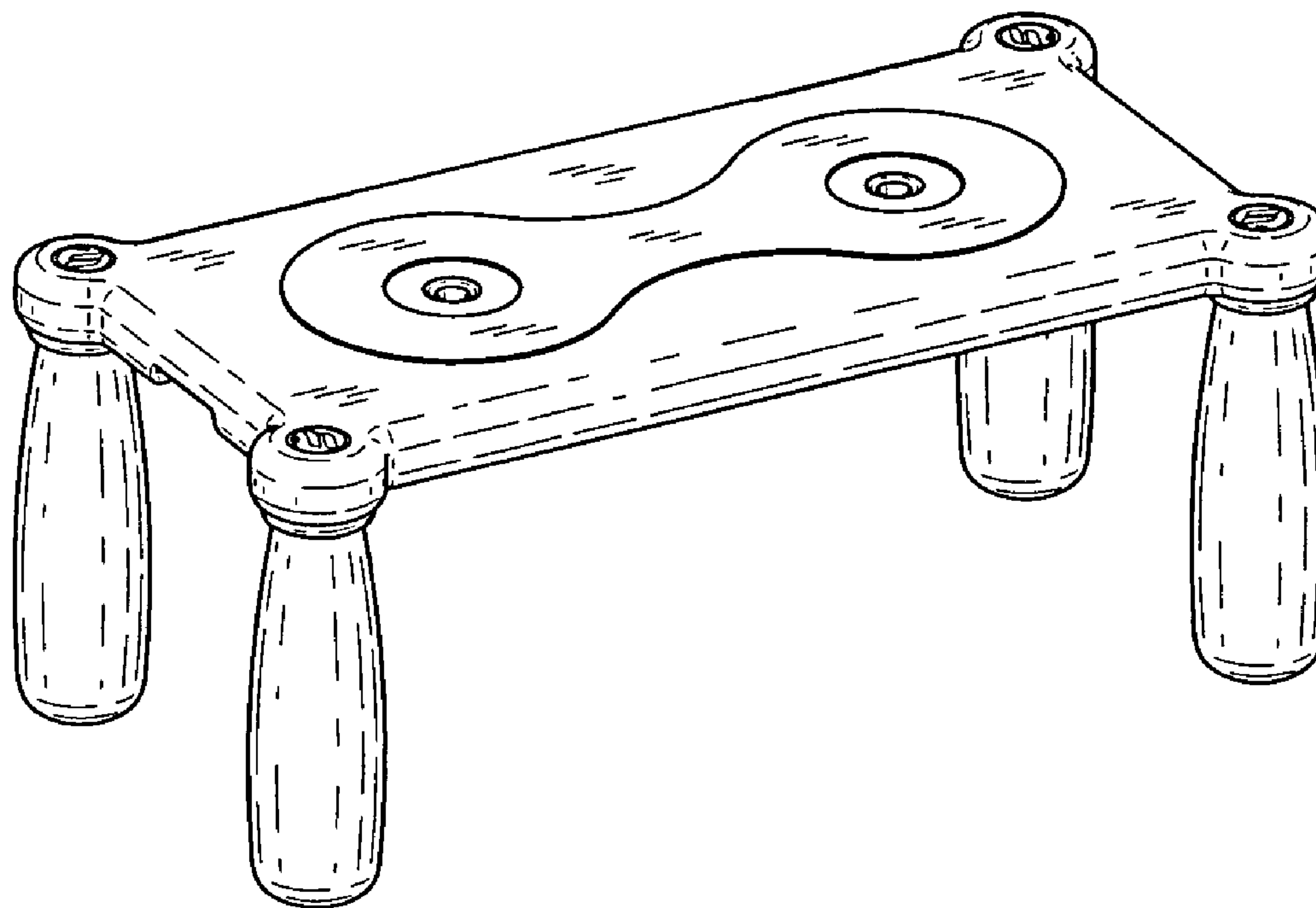
FIG. 7 is a front perspective view thereof.

(56) **References Cited**

**U.S. PATENT DOCUMENTS**

D481,229 S \* 10/2003 Weaver ..... D6/499

**1 Claim, 2 Drawing Sheets**



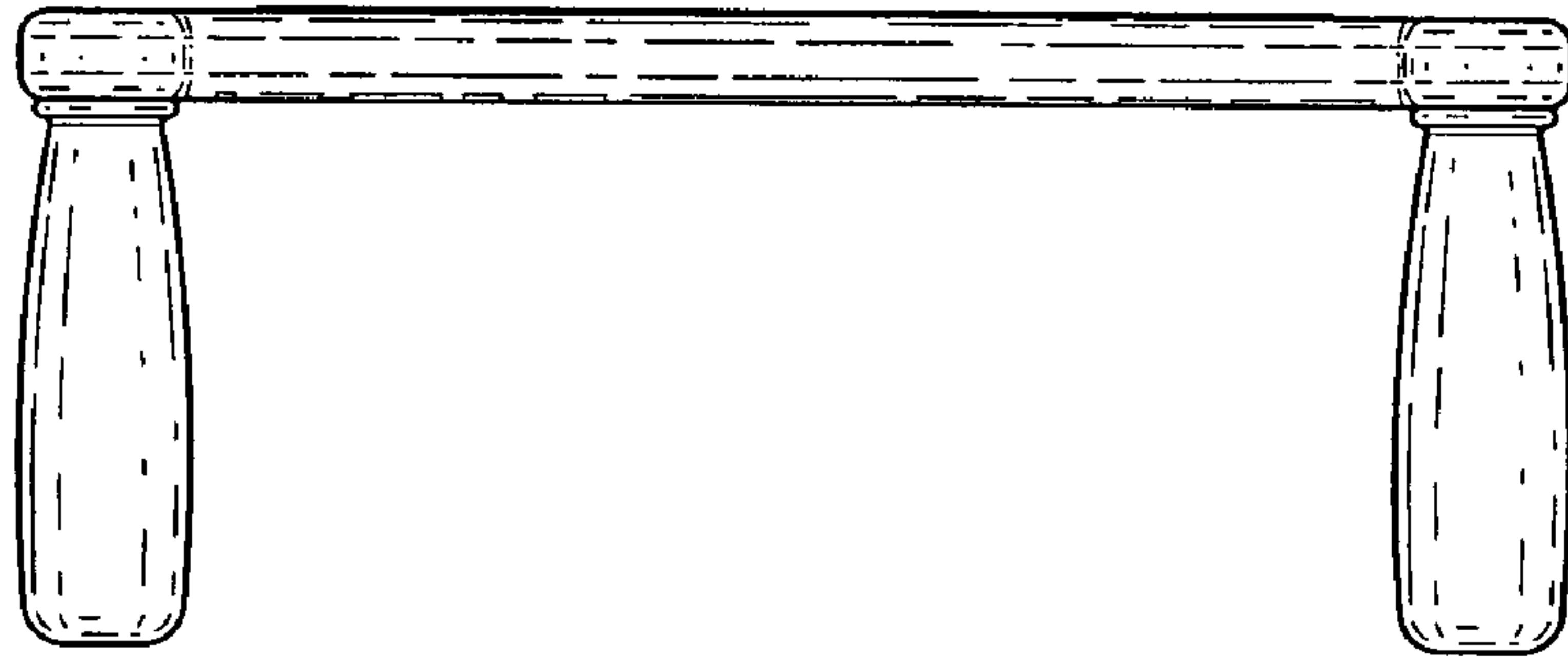


Fig.1

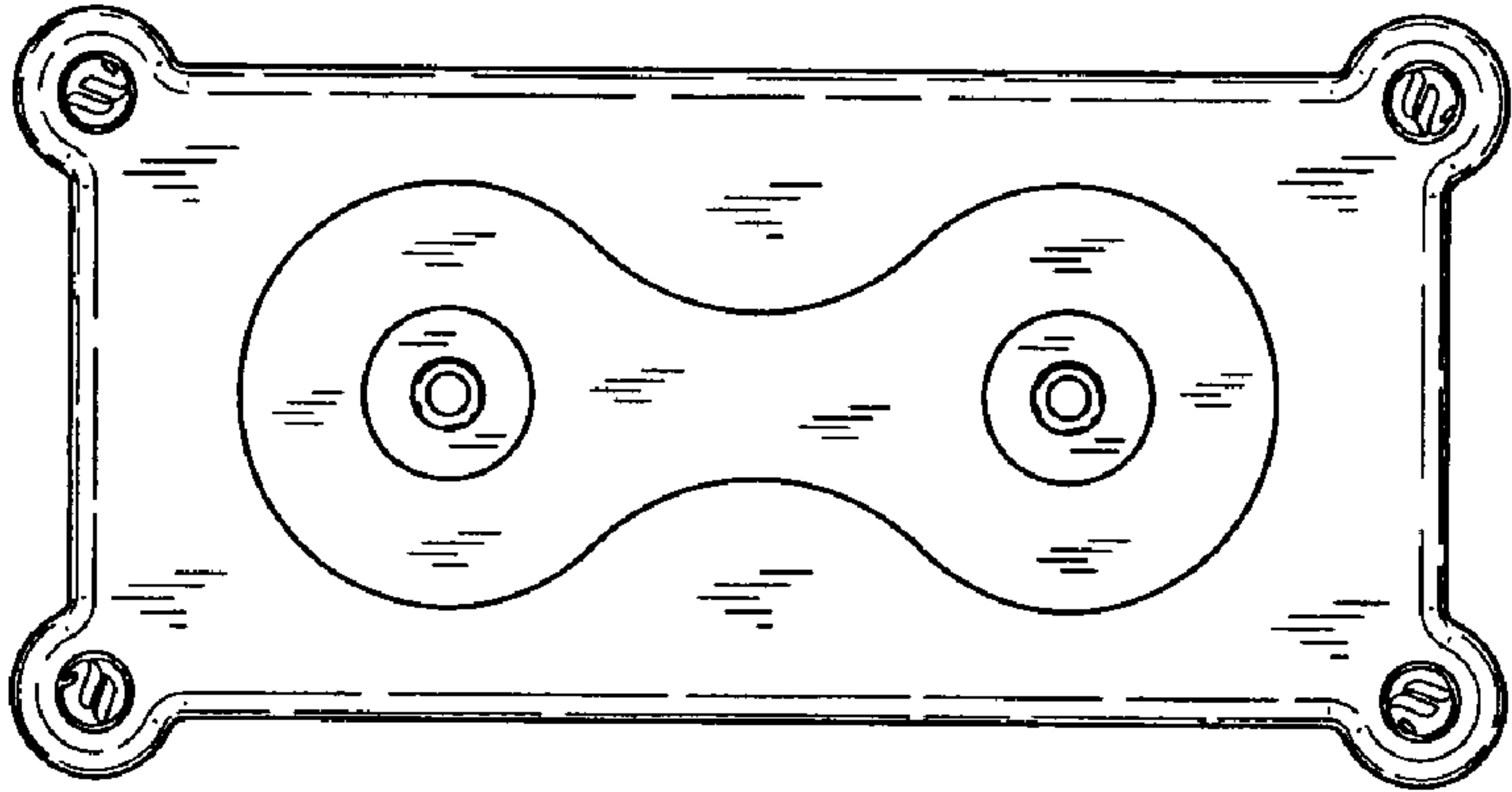


Fig.2

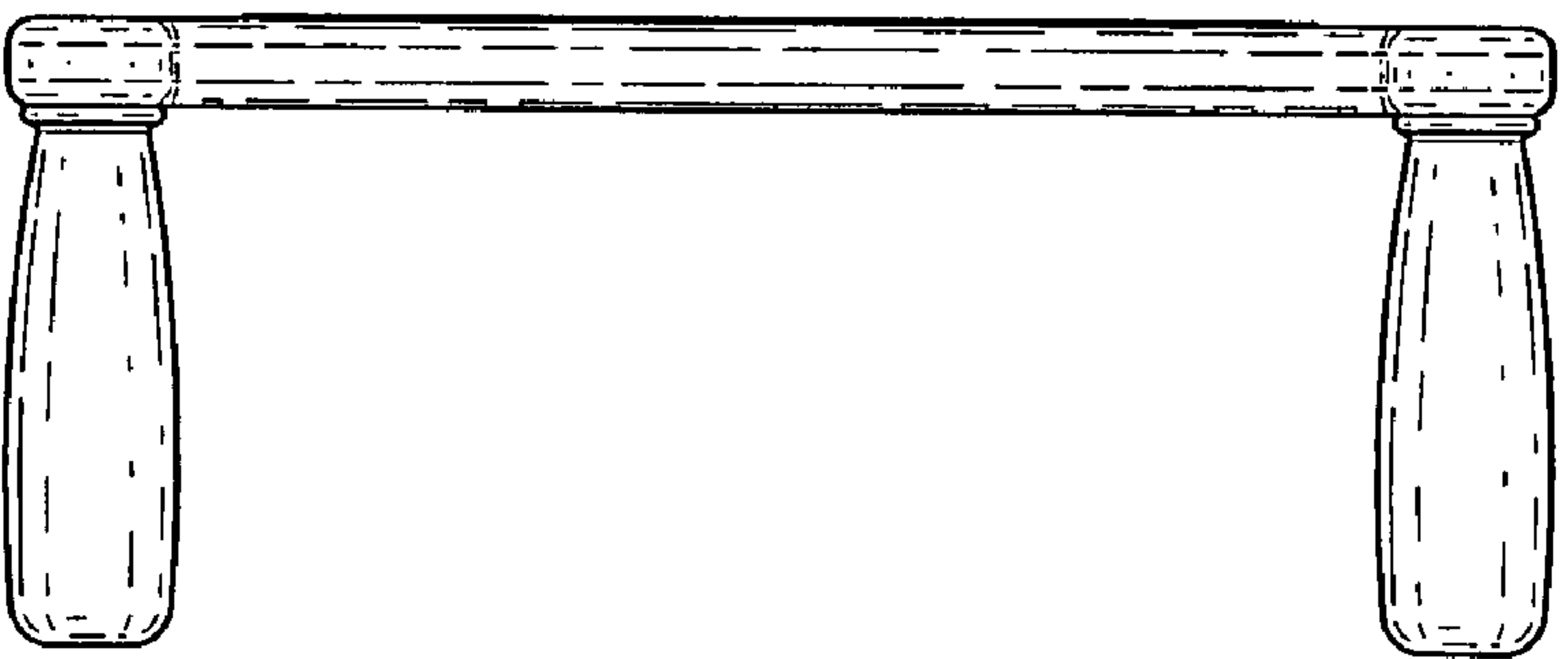


Fig.3

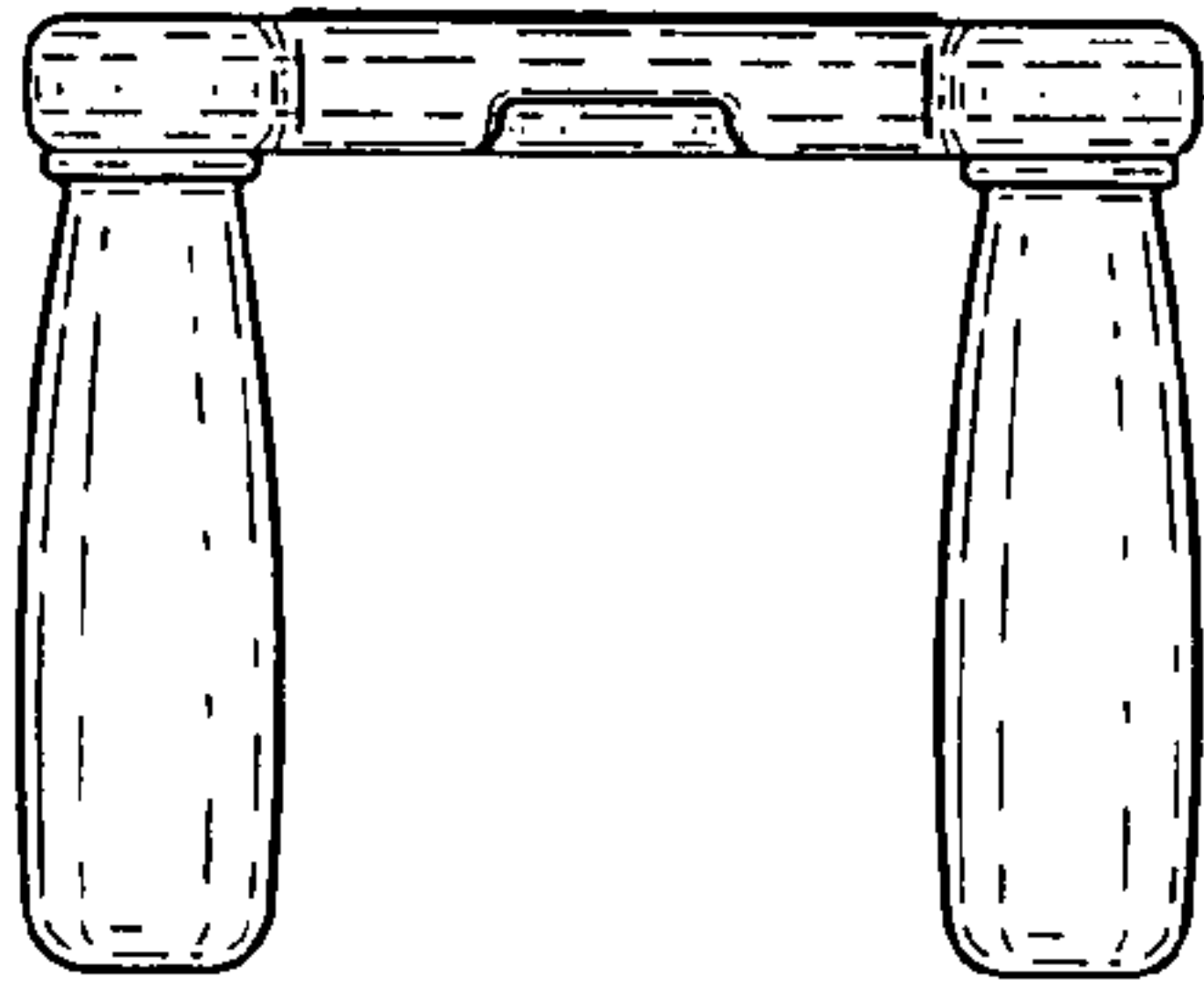


Fig.4

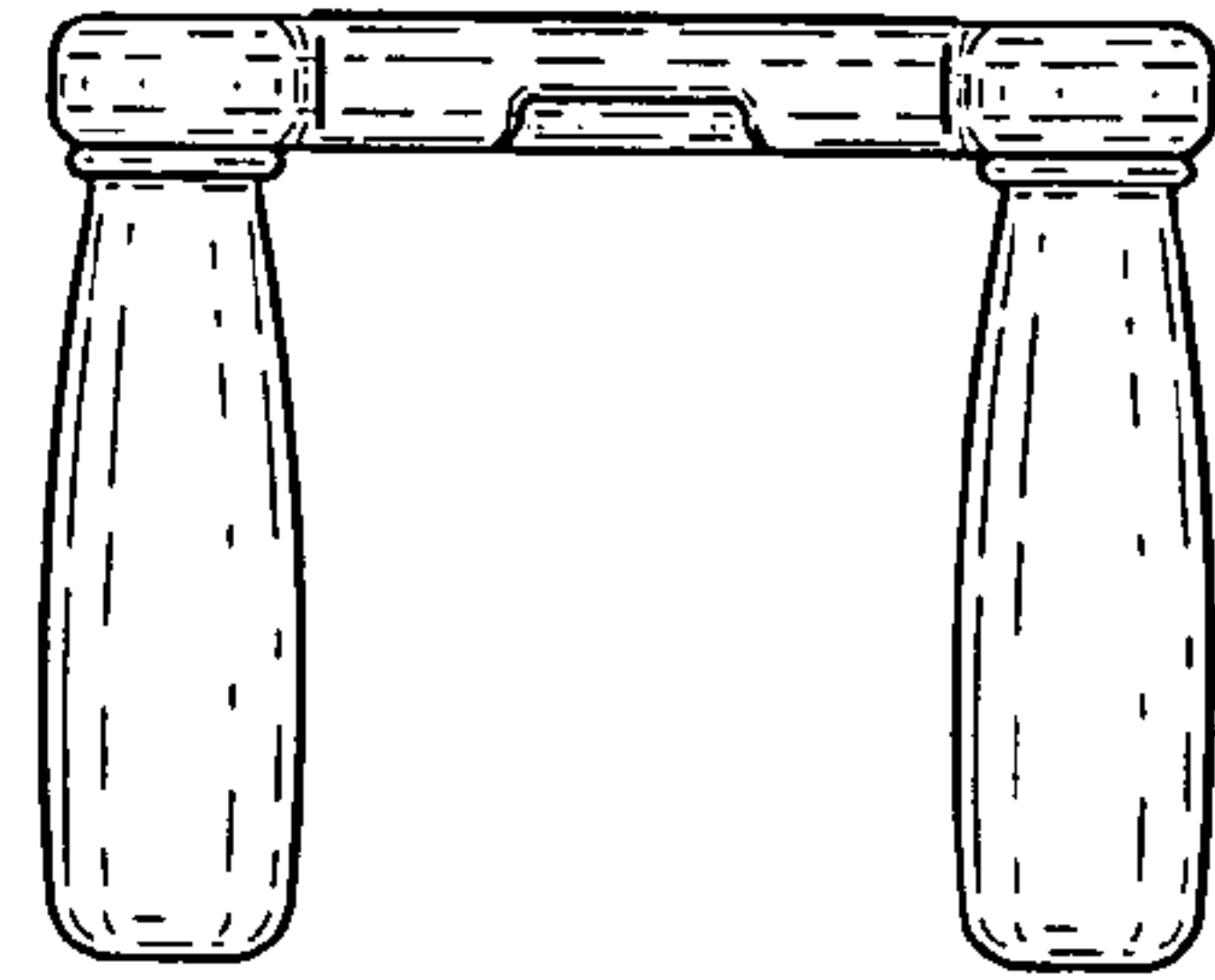


Fig.5

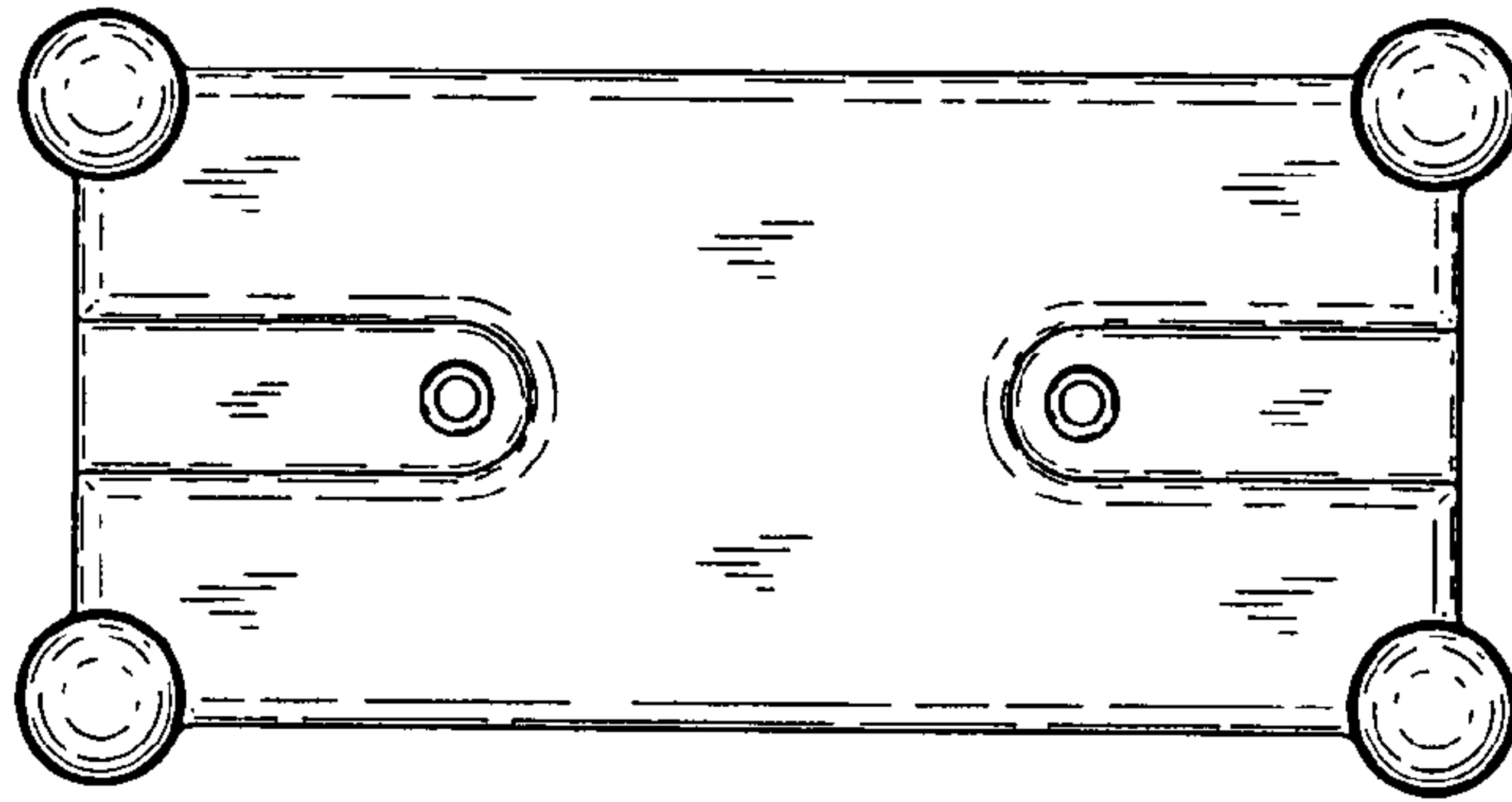


Fig.6

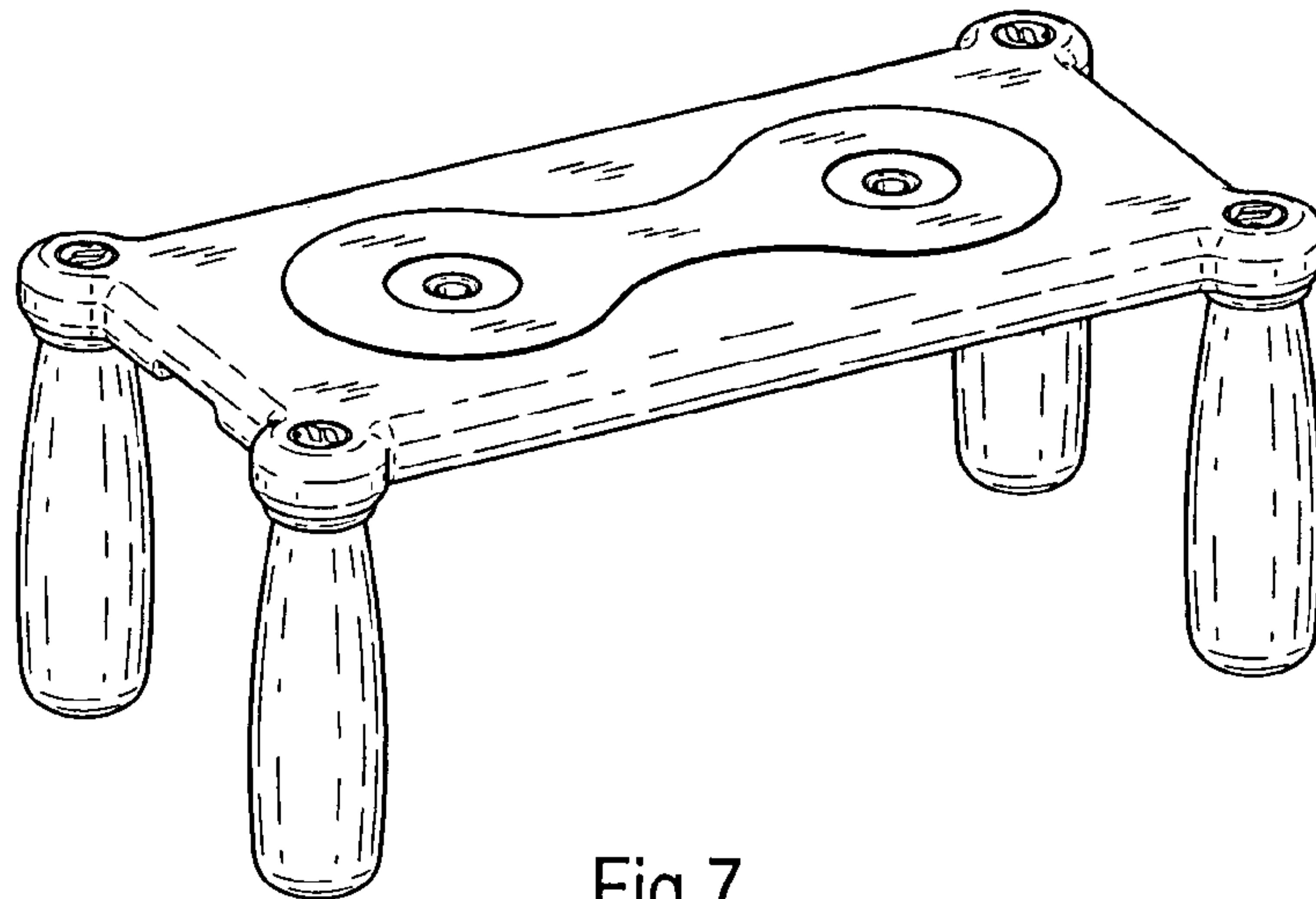


Fig.7