

US00D570116S

(12) **United States Design Patent**
Evans

(10) **Patent No.:** **US D570,116 S**
(45) **Date of Patent:** **** Jun. 3, 2008**

- (54) **SCRUBBER**
- (75) Inventor: **Scott Evans**, Winchester, VA (US)
- (73) Assignee: **Black & Decker Inc.**, Newark, DE (US)
- (**) Term: **14 Years**
- (21) Appl. No.: **29/256,547**
- (22) Filed: **Mar. 22, 2006**
- (51) **LOC (8) Cl.** **04-02**
- (52) **U.S. Cl.** **D4/102; D4/199**
- (58) **Field of Classification Search** D4/100, D4/102, 127, 130, 138, 199; D8/61, 62; D32/14.1, 17, 19, 52; 15/21.1, 22.1, 23, 15/24, 28, 29, 143.1, 146, 159.1, 180, 229.11, 15/229.13, 244.1; 16/430; 451/111, 177, 451/259, 548, 557
See application file for complete search history.

5,978,999 A	11/1999	deBlois et al.	
D418,641 S	1/2000	Yuen	
D427,970 S	7/2000	Sage	
6,314,972 B1	11/2001	Sin	
D458,424 S	6/2002	Chen	
D475,490 S	6/2003	Choi	
D475,818 S	6/2003	Krieger et al.	
D479,405 S	9/2003	Bressler et al.	
6,704,964 B2	3/2004	Knowles	
D489,151 S	4/2004	Krieger et al.	
6,874,190 B2 *	4/2005	Deflander et al.	8/158
D512,567 S *	12/2005	Eckhardt	D4/102
D541,496 S *	4/2007	Bakker	D32/19
7,313,838 B2 *	1/2008	Long et al.	15/22.2
2005/0066458 A1	3/2005	Belcastro	

FOREIGN PATENT DOCUMENTS

DE M 89 03 686 5/1989

(Continued)

Primary Examiner—Cathron Brooks
Assistant Examiner—Lavone D. Tabor
(74) *Attorney, Agent, or Firm*—John Yun; Bruce S. Shapiro; Wesley Muller

(56) **References Cited**

U.S. PATENT DOCUMENTS

D136,952 S	1/1944	Getgey
3,024,883 A	3/1962	Eriksson
3,028,614 A	4/1962	Bristow
3,378,869 A	4/1968	Schwartz
3,733,634 A	5/1973	Golbe
4,005,502 A	2/1977	Stevens (Boyer)
D245,948 S	10/1977	Wolff
4,558,270 A	12/1985	Liautaud et al.
D295,342 S	4/1988	van Asten
D307,216 S	4/1990	Yuen
D313,890 S	1/1991	Machuron
D332,734 S	1/1993	Fushiya et al.
5,233,281 A	8/1993	Chiang et al.
5,280,229 A	1/1994	Faude et al.
D372,129 S	7/1996	Chestnut
D380,950 S	7/1997	Gildersleeve et al.
5,742,149 A	4/1998	Simpson
5,926,005 A	7/1999	Holcomb et al.
5,950,268 A	9/1999	Murphy et al.
D416,112 S	11/1999	Holliday et al.

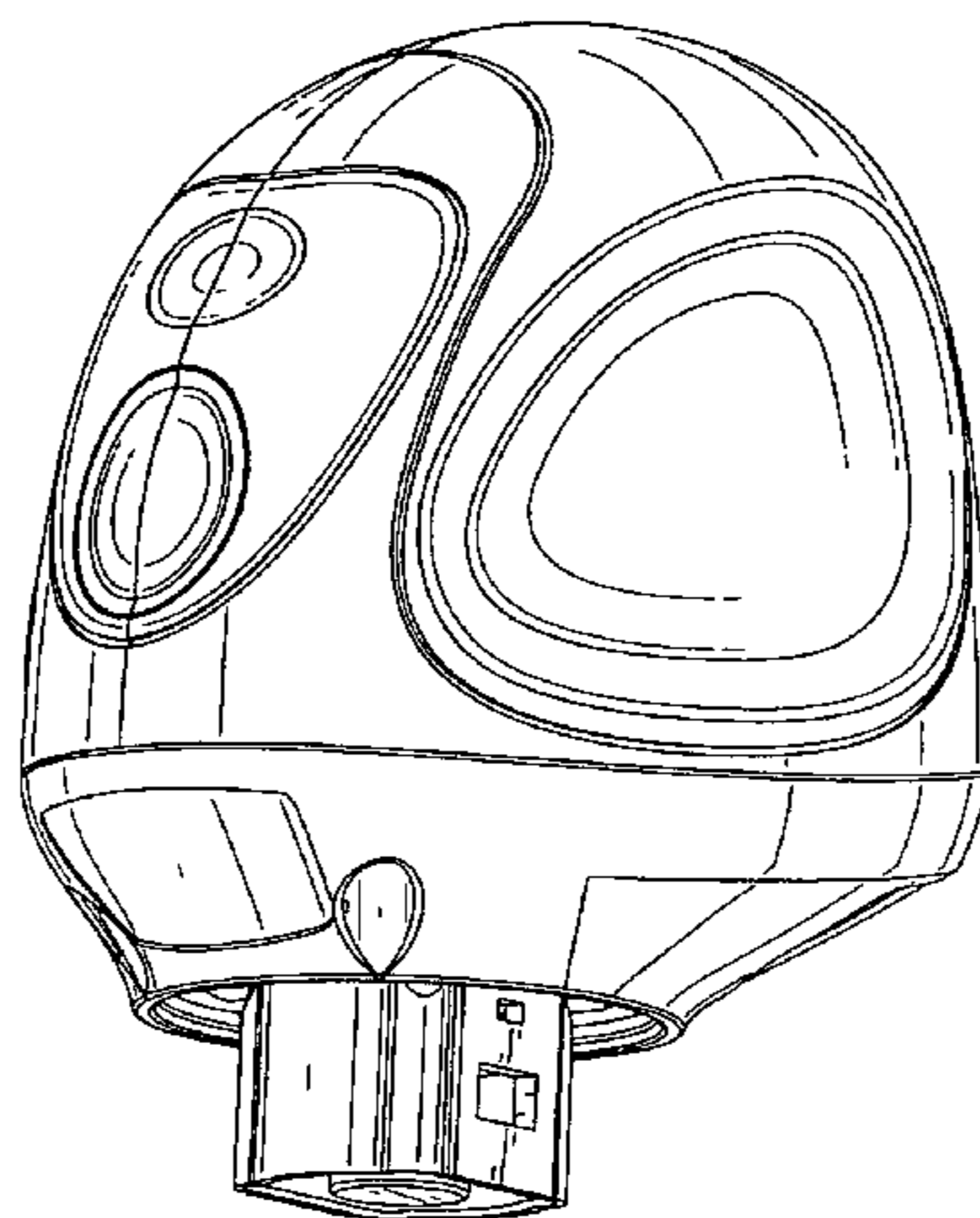
(57) **CLAIM**

The ornamental design for a scrubber, as shown and described.

DESCRIPTION

FIG. 1 is a perspective view of a scrubber of the present invention.
FIG. 2 is a front view of the scrubber according to FIG. 1.
FIG. 3 is a rear side view of the scrubber according to FIG. 1.
FIG. 4 is a right side view of the powered staple gun according to FIG. 1.
FIG. 5 is a left side view of the scrubber according to FIG. 1.
FIG. 6 is a top view of the scrubber according to FIG. 1; and, FIG. 7 is a bottom view of the scrubber according to FIG. 1.

1 Claim, 7 Drawing Sheets



US D570,116 S

Page 2

FOREIGN PATENT DOCUMENTS					
			DE	401 11 245	9/2003
			DE	403 04 850	12/2003
			DE	40305791	3/2004
			DE	40304741	4/2004
			DE	40307955	6/2004
			DE	40403888	1/2005
			DE	40406187	1/2005
			DE	40401966	2/2005
			DE	40406496	5/2005
			DE	40502186	9/2005
			WO	DM/009 154	8/1987
			WO	DM/014 582	9/1989
			* cited by examiner		
DE	M 92 01 104	7/1992			
DE	M 92 08 213	4/1993			
DE	M 95 08 859	5/1996			
DE	M98 02 032	11/1998			
DE	M 98 03 018	12/1998			
DE	498 06 853	4/1999			
DE	498 08 173	4/1999			
DE	498 07 106	5/1999			
DE	400 01 654	5/2000			
DE	400 02 653	7/2000			
DE	400 07 054	1/2001			
DE	402 08 191	6/2003			

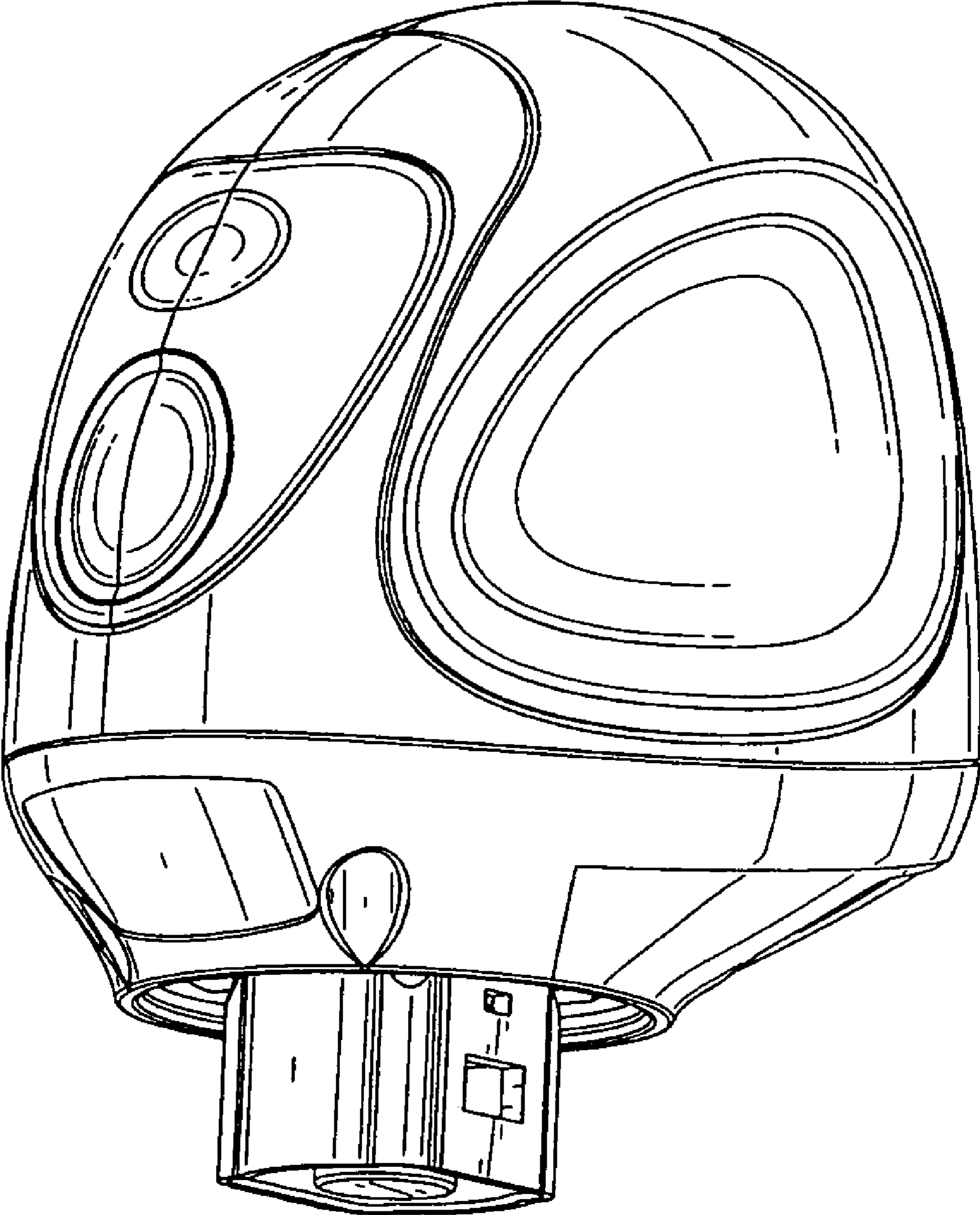


FIG. 1

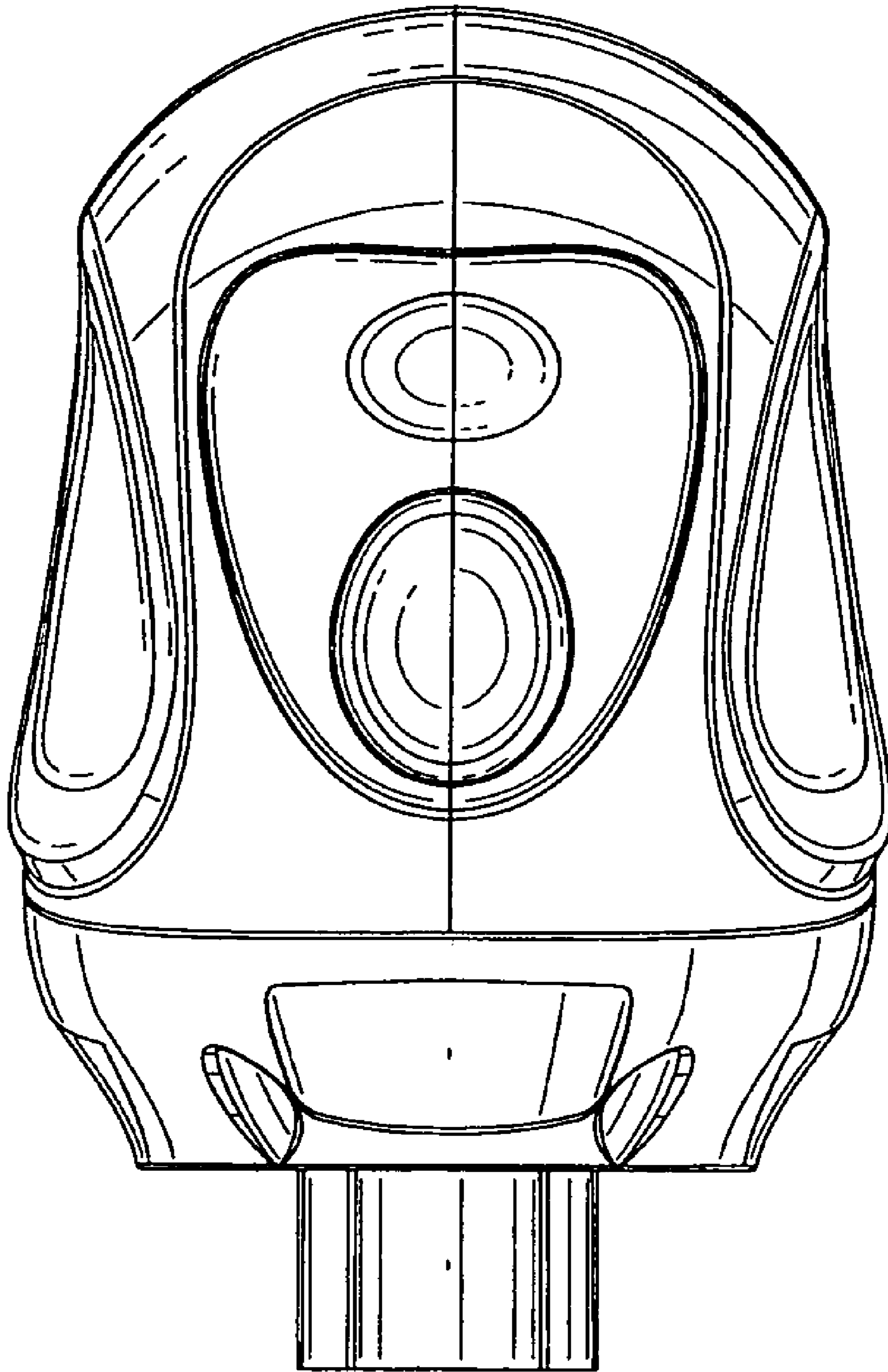


FIG. 2

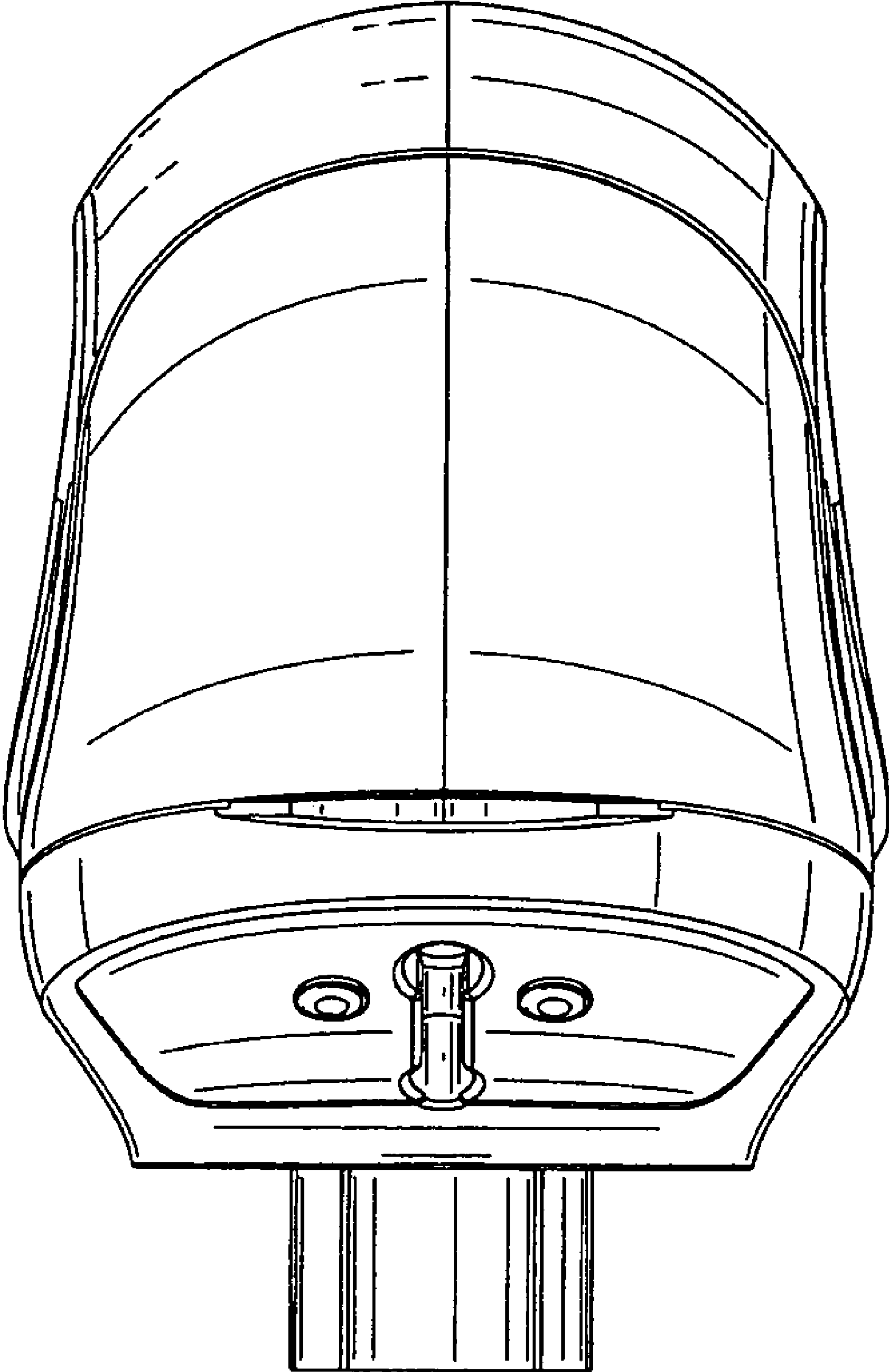


FIG. 3

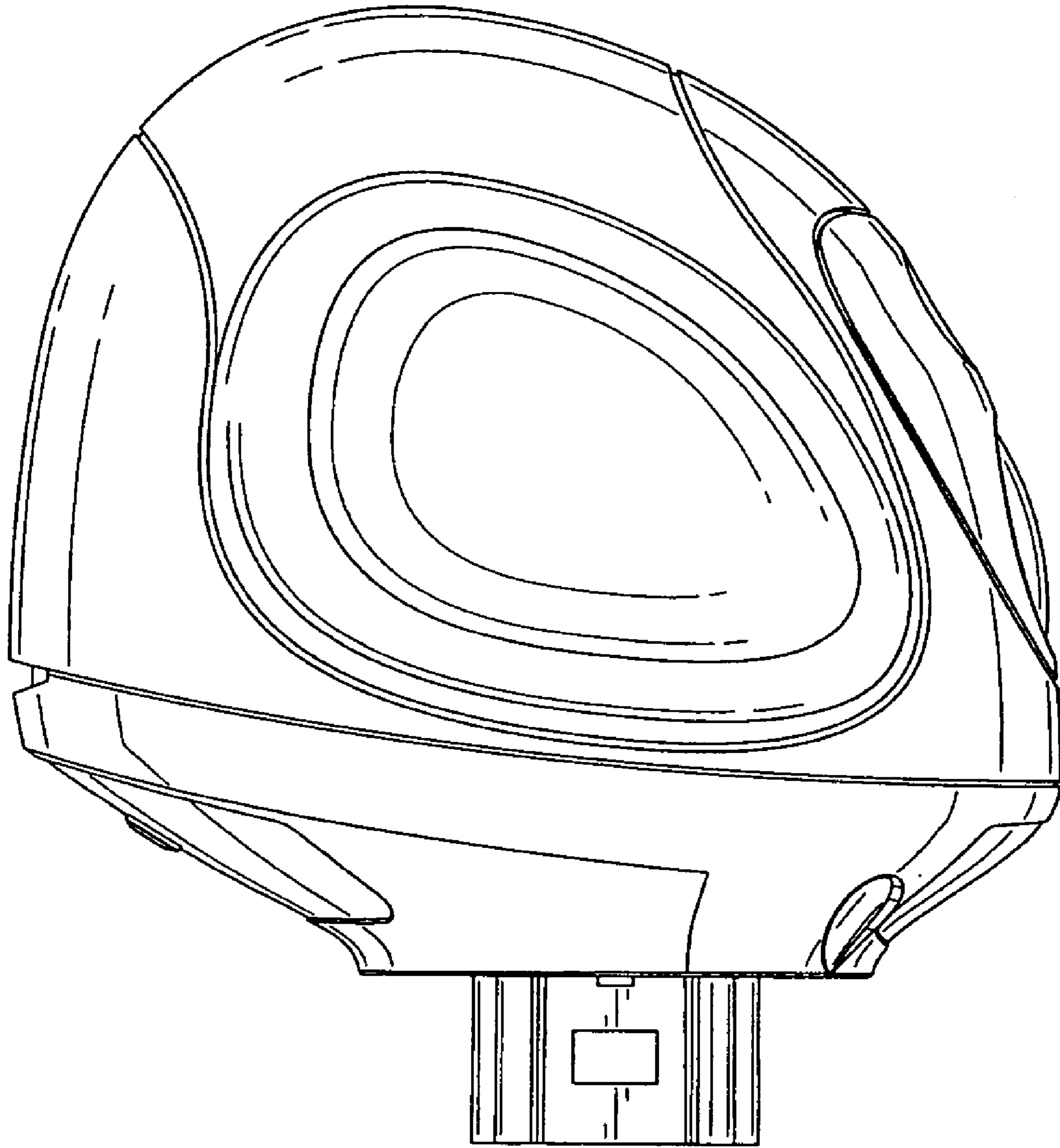


FIG. 4

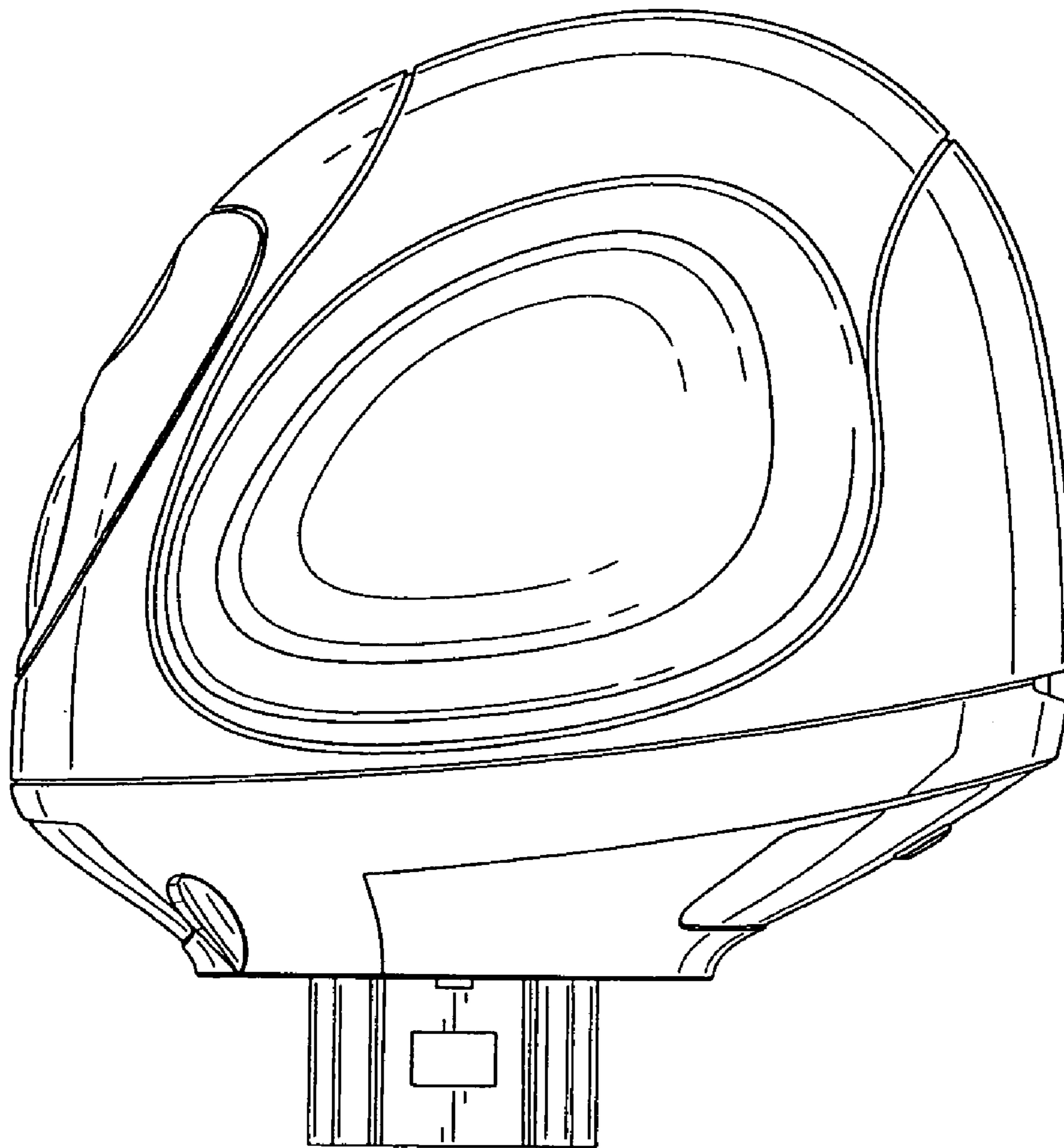


FIG. 5

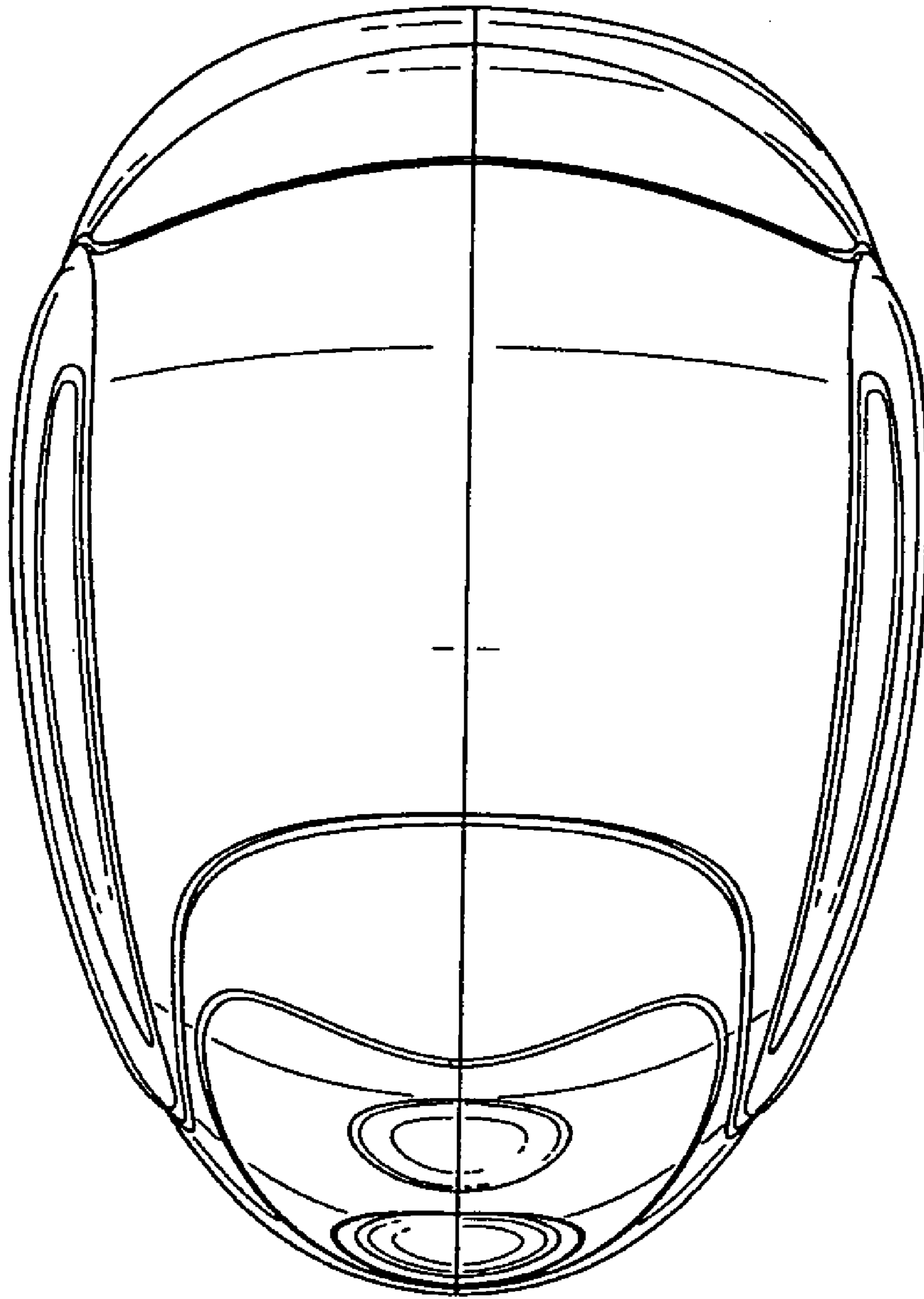


FIG. 6

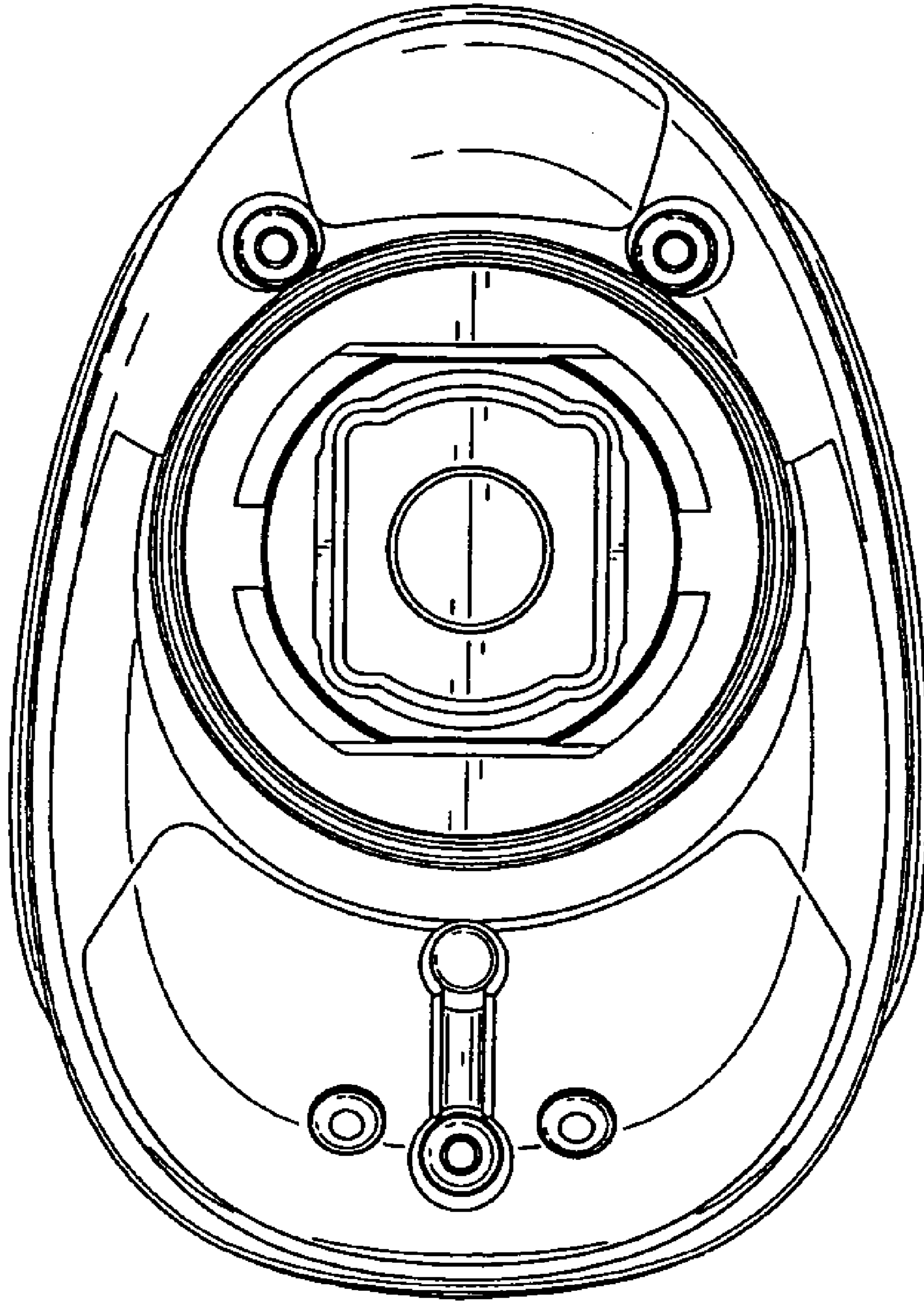


FIG. 7