



US00D570113S

(12) **United States Design Patent**  
**Maraia et al.**

(10) **Patent No.: US D570,113 S**

(45) **Date of Patent: \*\* Jun. 3, 2008**

(54) **CONTACT LENS CONTAINER**

(75) Inventors: **Micah L Maraia**, Menomonie, WI (US); **Christopher L. Peterson**, Chippewa Falls, WI (US)

(73) Assignee: **John O'Hara**, St. Louis, MO (US)

(\*\*) Term: **14 Years**

(21) Appl. No.: **29/276,512**

(22) Filed: **Jan. 26, 2007**

(51) **LOC (8) Cl.** ..... **03-01**

(52) **U.S. Cl.** ..... **D3/264; D3/263**

(58) **Field of Classification Search** ..... **D3/263, D3/264, 266; 206/5, 5.1, 6**  
See application file for complete search history.

(56) **References Cited**

**U.S. PATENT DOCUMENTS**

4,545,479	A *	10/1985	Figari	.....	206/5.1
4,909,382	A	3/1990	Cuppari		
5,280,834	A	1/1994	Berkley		
D354,070	S	1/1995	Chen		
D358,477	S *	5/1995	De Meo	.....	D3/264
5,452,792	A	9/1995	Zautke et al.		
D393,721	S	4/1998	Okada		
6,038,997	A	3/2000	Madden		
6,092,646	A *	7/2000	Glazier	.....	206/5.1
6,382,409	B1	5/2002	Scala		
D474,886	S	5/2003	Fleming		
D498,590	S *	11/2004	Borovsky	.....	D3/264

6,868,963	B2 *	3/2005	Borovsky	.....	206/5.1
D512,565	S *	12/2005	Sasso	.....	D3/264
7,042,805	B1	5/2006	Kallman		
D534,422	S	1/2007	Hallberg		
2002/0069896	A1 *	6/2002	Pankow	.....	134/6
2004/0140229	A1 *	7/2004	Borovsky	.....	206/5.1
2005/0087455	A1 *	4/2005	Mahieu et al.	.....	206/216
2005/0109638	A1 *	5/2005	Eastman	.....	206/5.1
2006/0102496	A1 *	5/2006	Christy et al.	.....	206/5.1
2007/0261970	A1 *	11/2007	Stull	.....	206/5.1

\* cited by examiner

*Primary Examiner*—Celia A Murphy

(74) *Attorney, Agent, or Firm*—Hovey Williams LLP

(57) **CLAIM**

The ornamental design for contact lens container, as shown and described.

**DESCRIPTION**

FIG. 1 is a top right front perspective view showing our new design;

FIG. 2 is a bottom right front perspective view thereof;

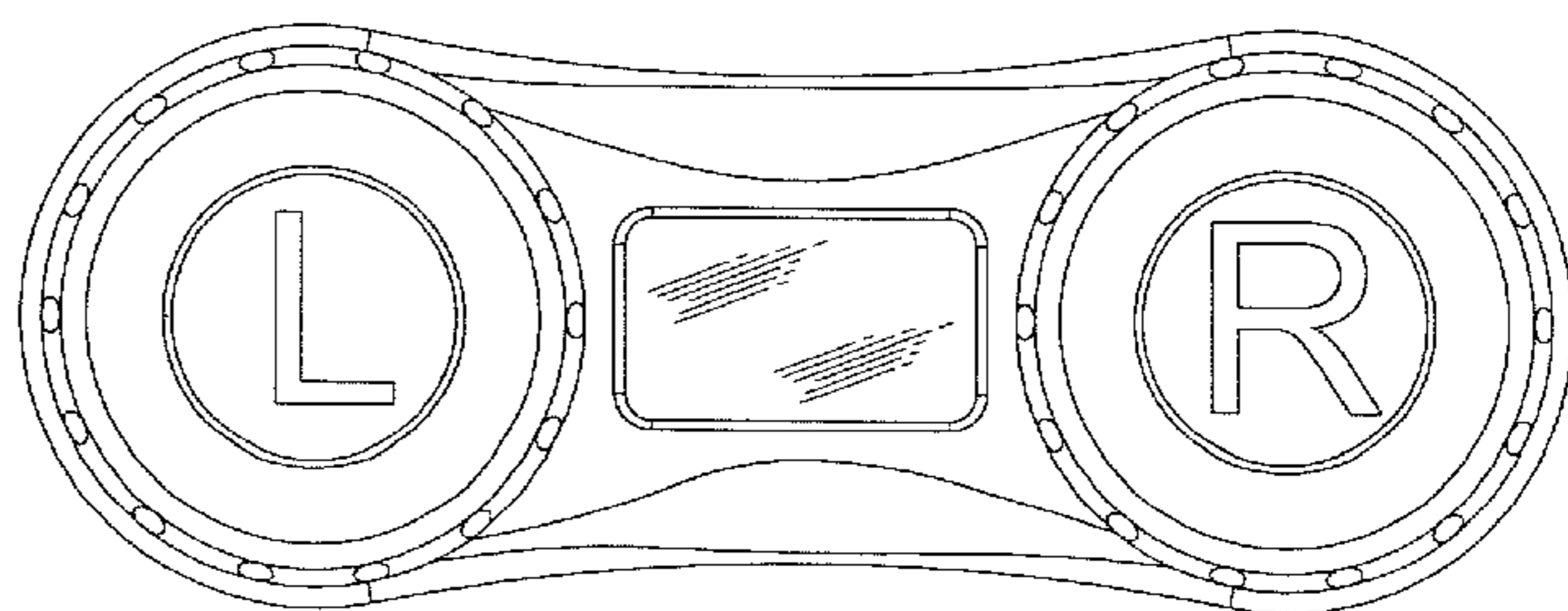
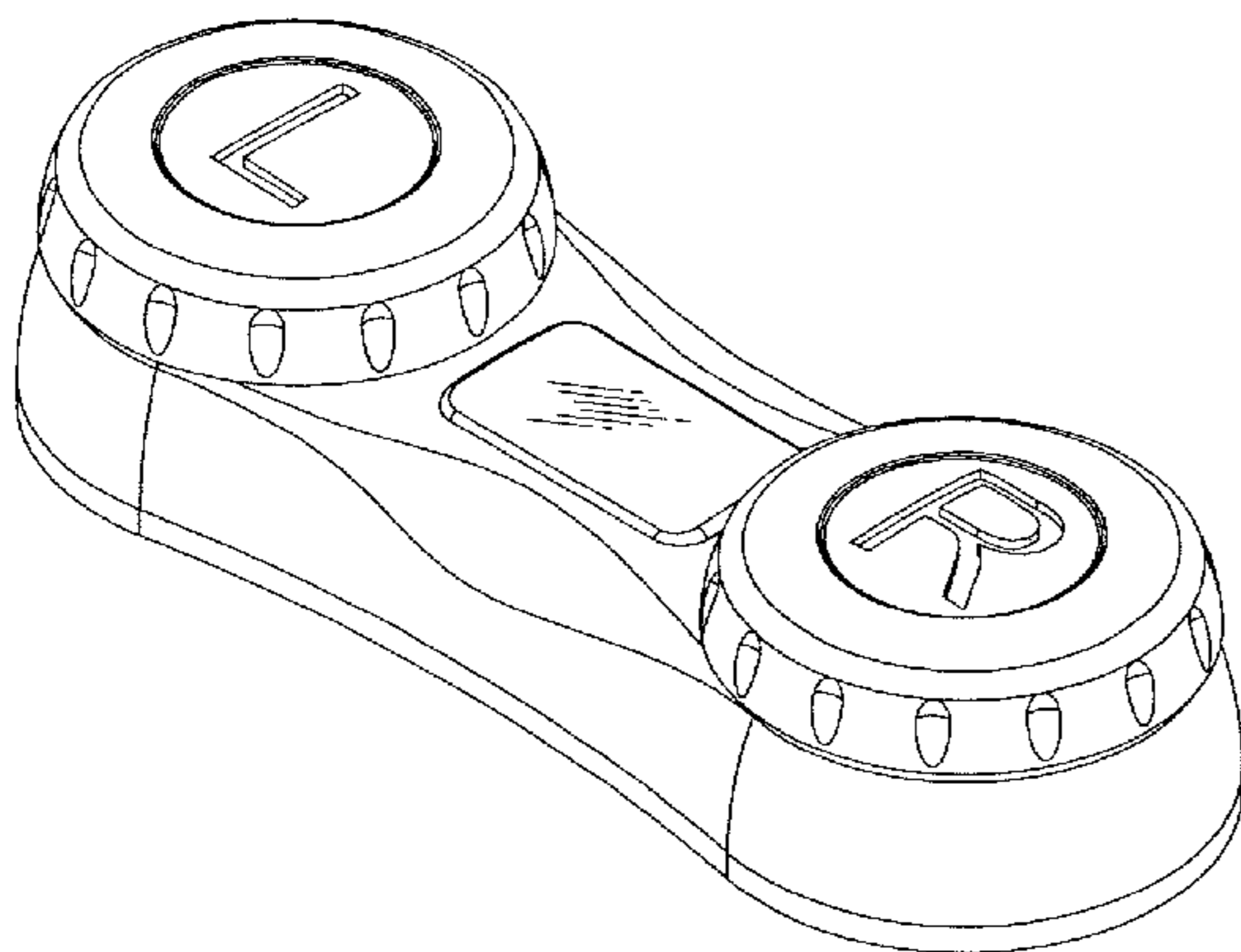
FIG. 3 is a top plan view thereof;

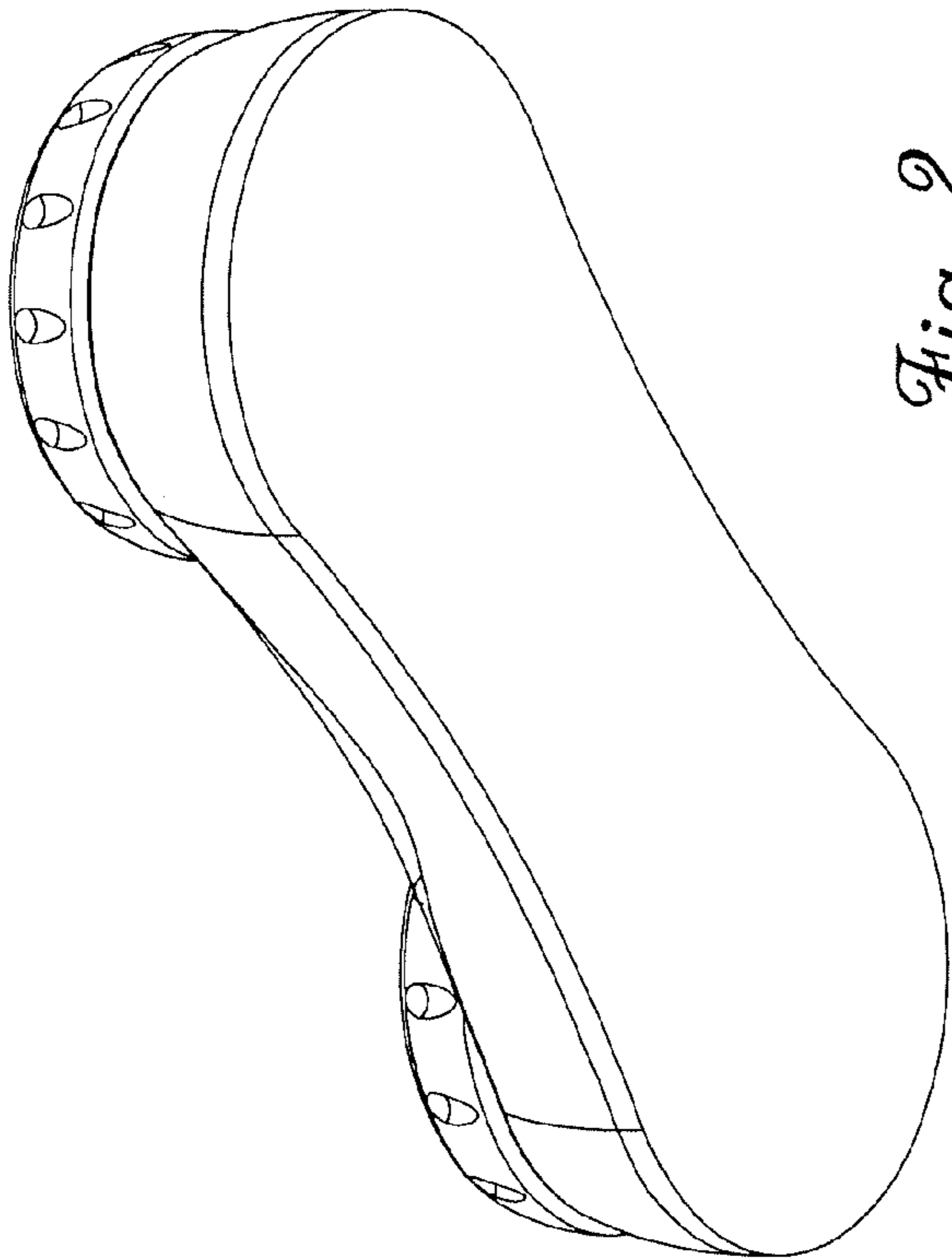
FIG. 4 is a front elevational view thereof, the rear view being a mirror image;

FIG. 5 is a right side view thereof, the left side being a mirror image; and,

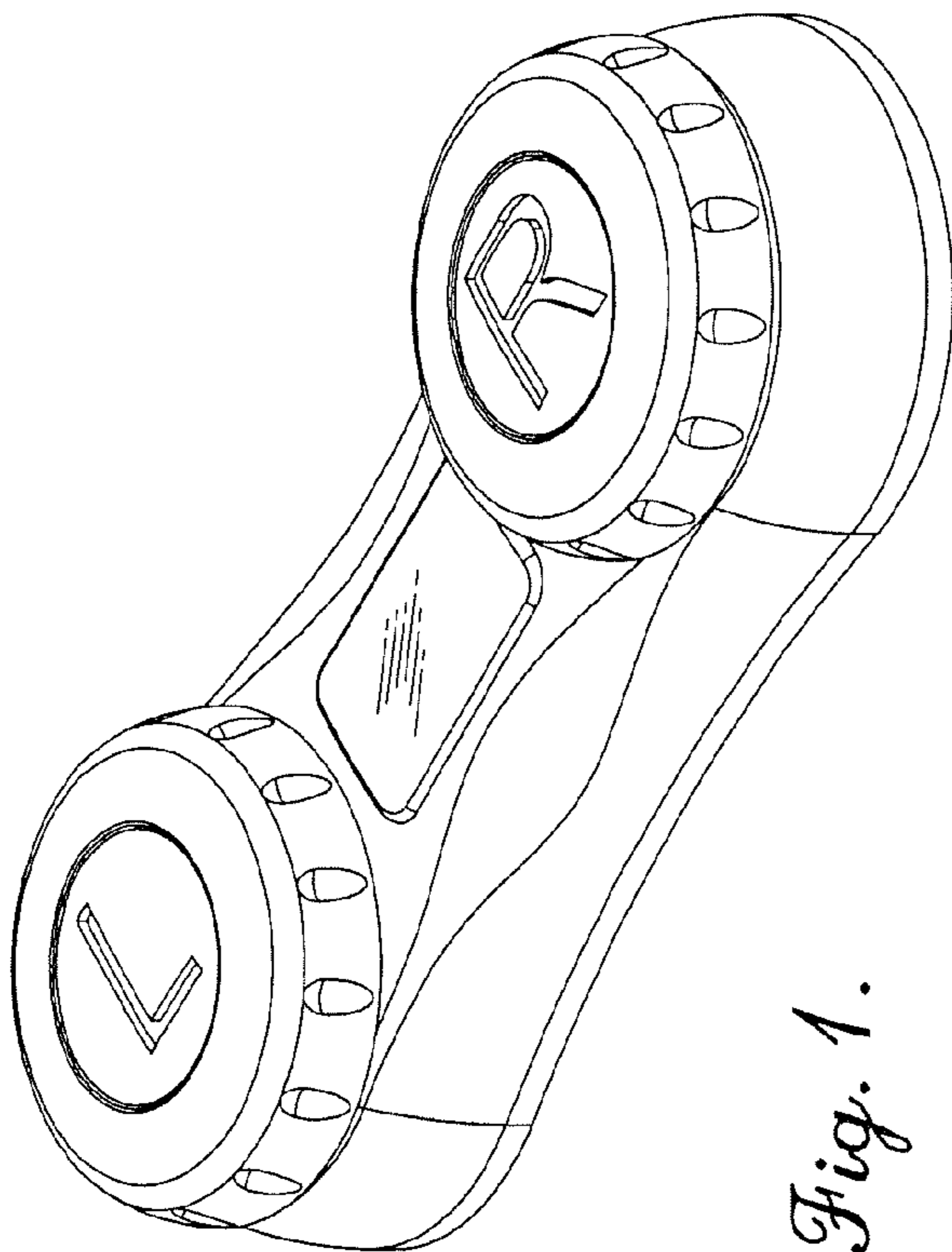
FIG. 6 is a bottom view thereof.

**1 Claim, 2 Drawing Sheets**

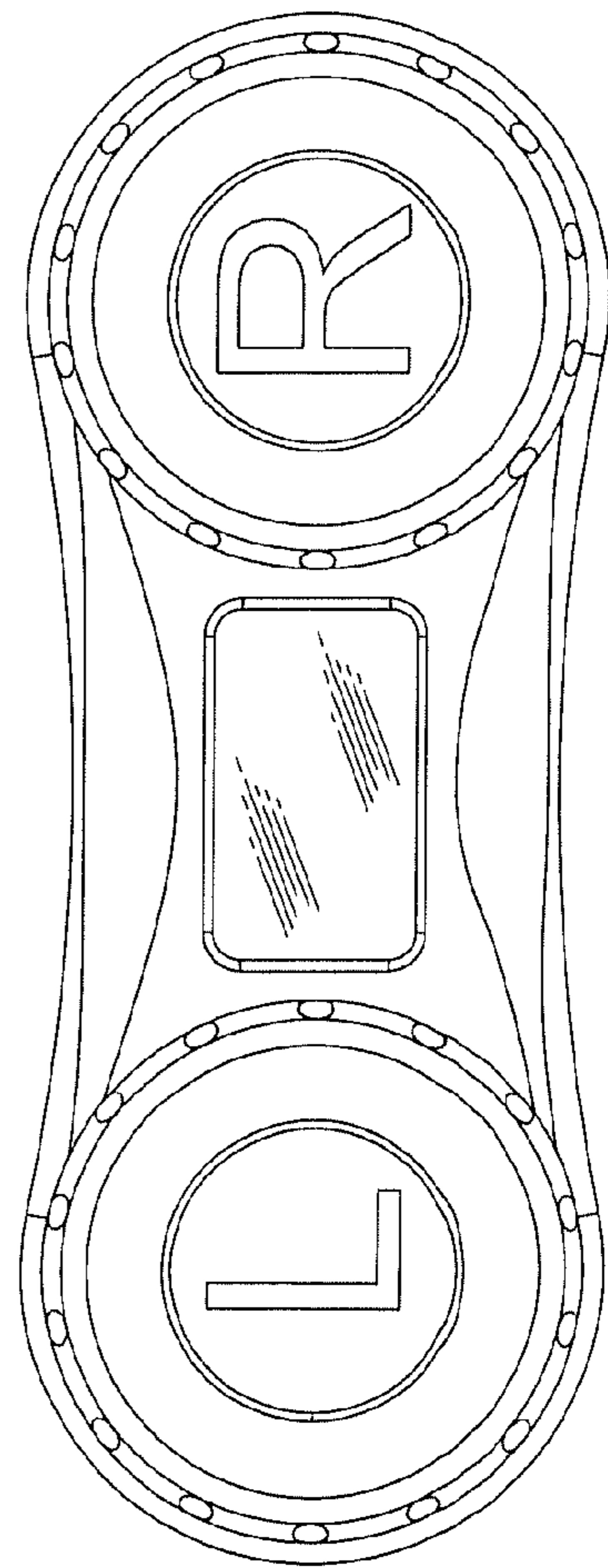




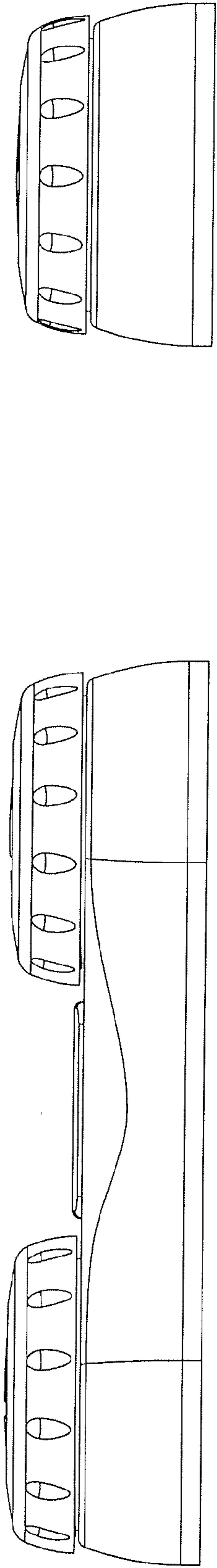
*Fig. 2.*



*Fig. 1.*

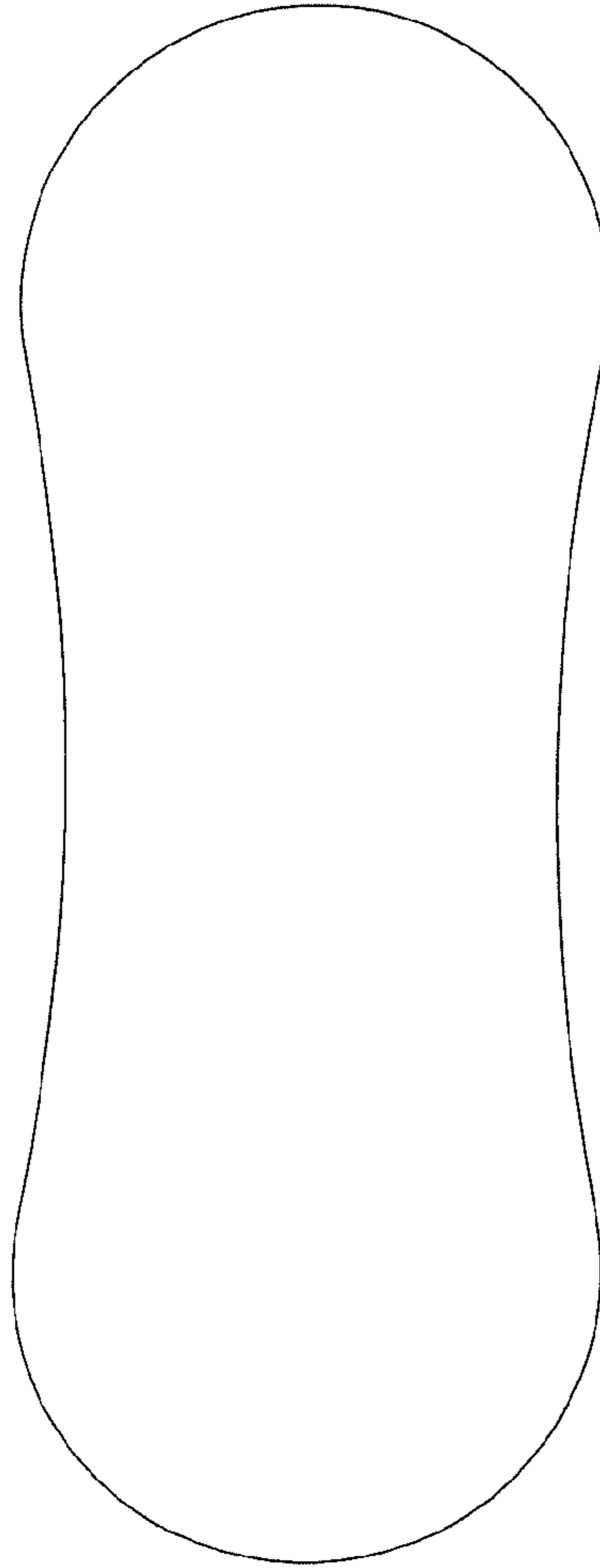


*Fig. 3.*



*Fig. 4.*

*Fig. 5.*



*Fig. 6.*