

US00D570111S

(12) **United States Design Patent**
Guyon et al.

(10) **Patent No.:** **US D570,111 S**

(45) **Date of Patent:** **** Jun. 3, 2008**

(54) **HANDBAG**

(75) Inventors: **Isabelle Guyon**, Paris (FR); **Sophie Delafontaine**, Paris (FR); **Philippe Cassegrain**, Paris (FR)

(73) Assignee: **S.A.S. Jean Cassegrain**, Paris (FR)

(**) Term: **14 Years**

(21) Appl. No.: **29/289,339**

(22) Filed: **Jul. 17, 2007**

(30) **Foreign Application Priority Data**

Jan. 18, 2007 (EM) 000654074

(51) **LOC (8) Cl.** **03-01**

(52) **U.S. Cl.** **D3/246**

(58) **Field of Classification Search** D3/232, D3/233, 234, 238, 239, 240, 241, 243, 245, D3/246, 303, 318, 319, 321, 322, 323, 324, D3/325, 326, 900, 902; 150/100, 106, 107, 150/108, 110, 111, 112, 118; 190/100, 106, 190/108, 109, 112, 113, 115, 900, 902, 903; 383/6, 25, 37, 38, 41, 42, 120

See application file for complete search history.

(56) **References Cited**

U.S. PATENT DOCUMENTS

D116,165 S * 8/1939 Kaufmann 190/112
D245,645 S * 8/1977 Casser D3/243

4,561,525 A * 12/1985 Shidner 190/106
4,756,394 A * 7/1988 Cohen 190/108
D502,314 S * 3/2005 Cassegrain D3/246
D545,566 S 7/2007 Guyon
D546,058 S 7/2007 Guyon
D547,060 S 7/2007 Delafontaine
2007/0137958 A1 * 6/2007 Hamlin 190/109

* cited by examiner

Primary Examiner—Louis S Zarfaz

Assistant Examiner—Monica A Weingart

(74) *Attorney, Agent, or Firm*—Gottlieb, Rackman & Reisman, P.C.

(57) **CLAIM**

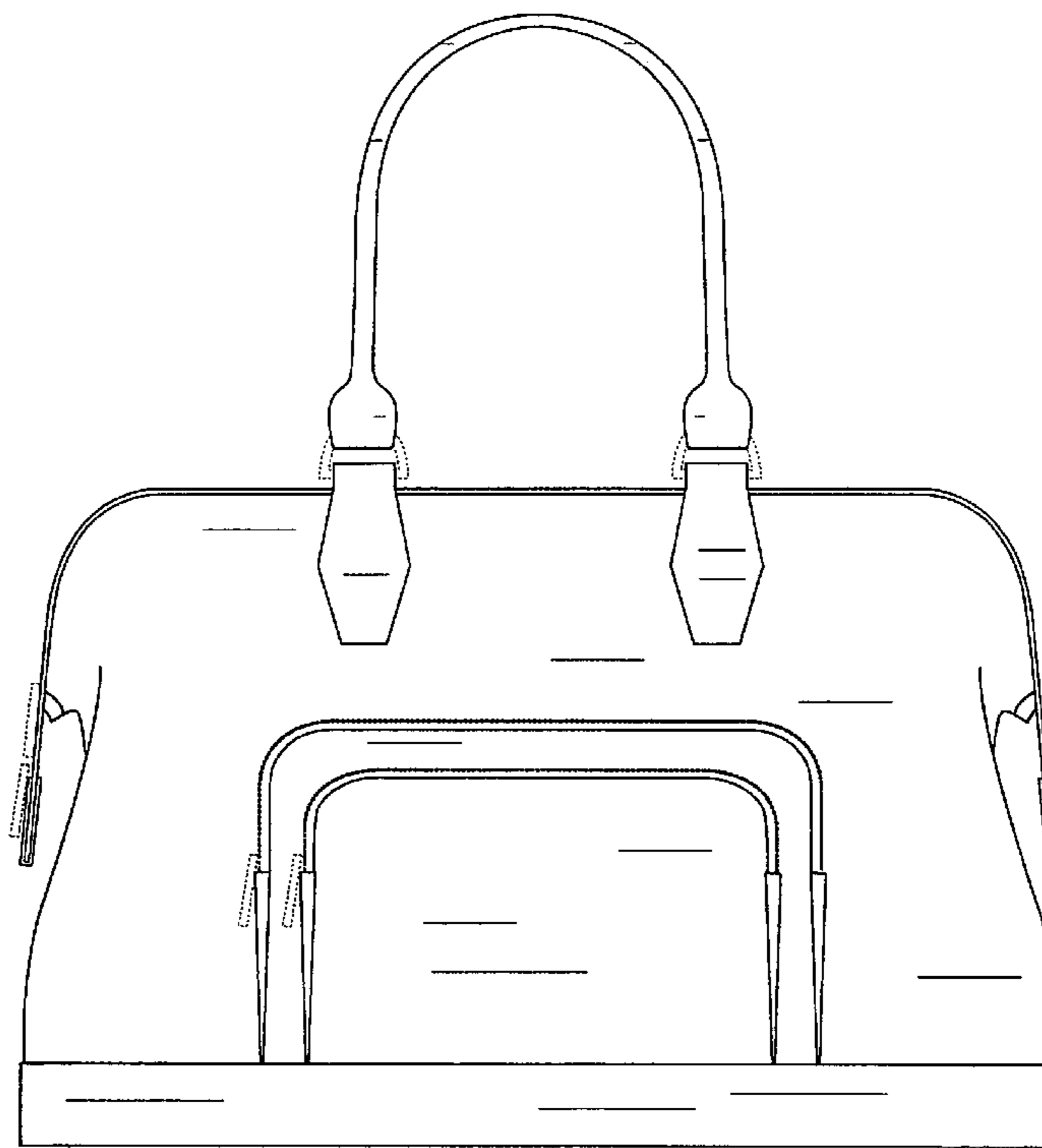
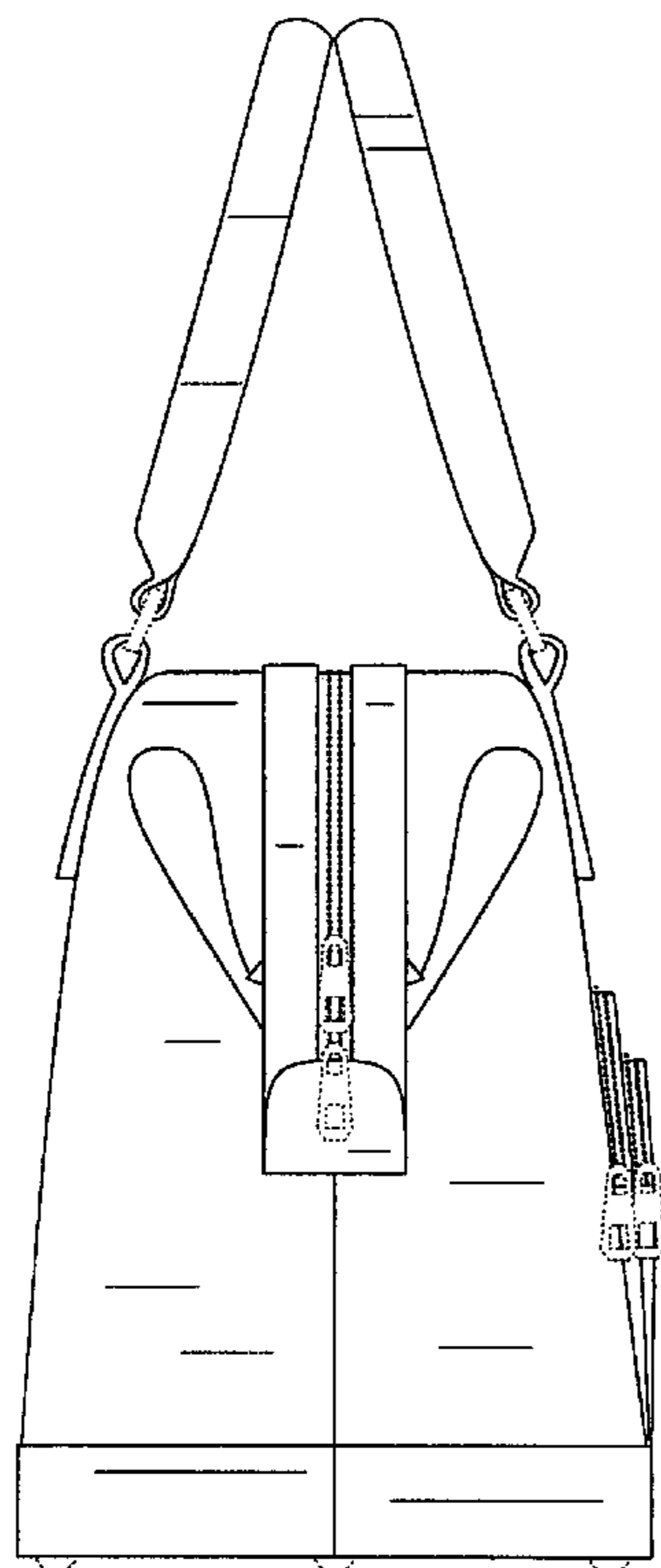
The ornamental design for a handbag, as shown as described.

DESCRIPTION

FIG. 1 is a bottom plan view of our new design;
FIG. 2 is a left side elevation view thereof;
FIG. 3 is a front elevation view thereof;
FIG. 4 is a right side elevation view thereof;
FIG. 5 is a rear elevation view thereof; and,
FIG. 6 is a top plan view thereof.

The broken line showing links in FIGS. 2–6, pulls in FIGS. 2–4 and 6 and other hardware in FIGS. 1–5 is for illustrative purposes only and forms no part of the claimed design.

1 Claim, 5 Drawing Sheets



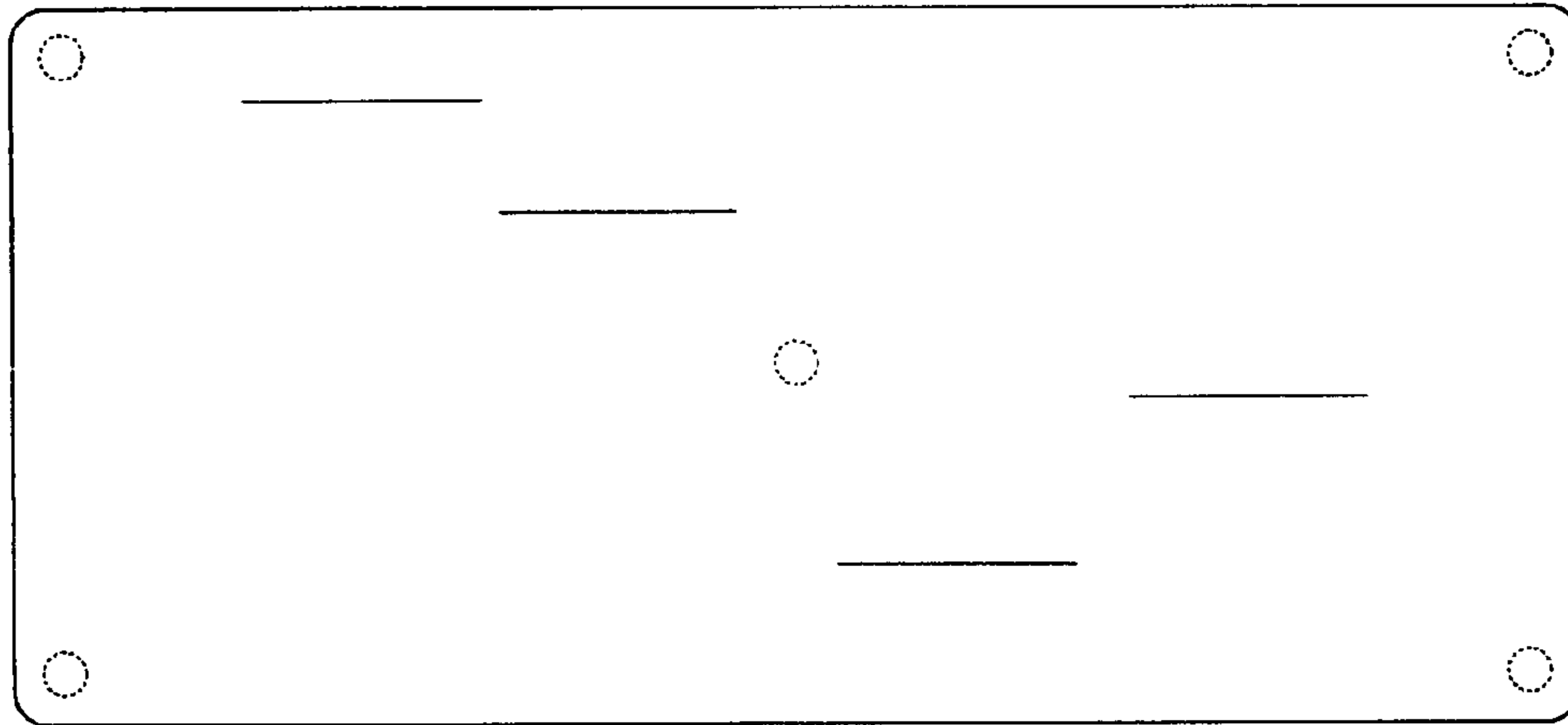


FIG. 1

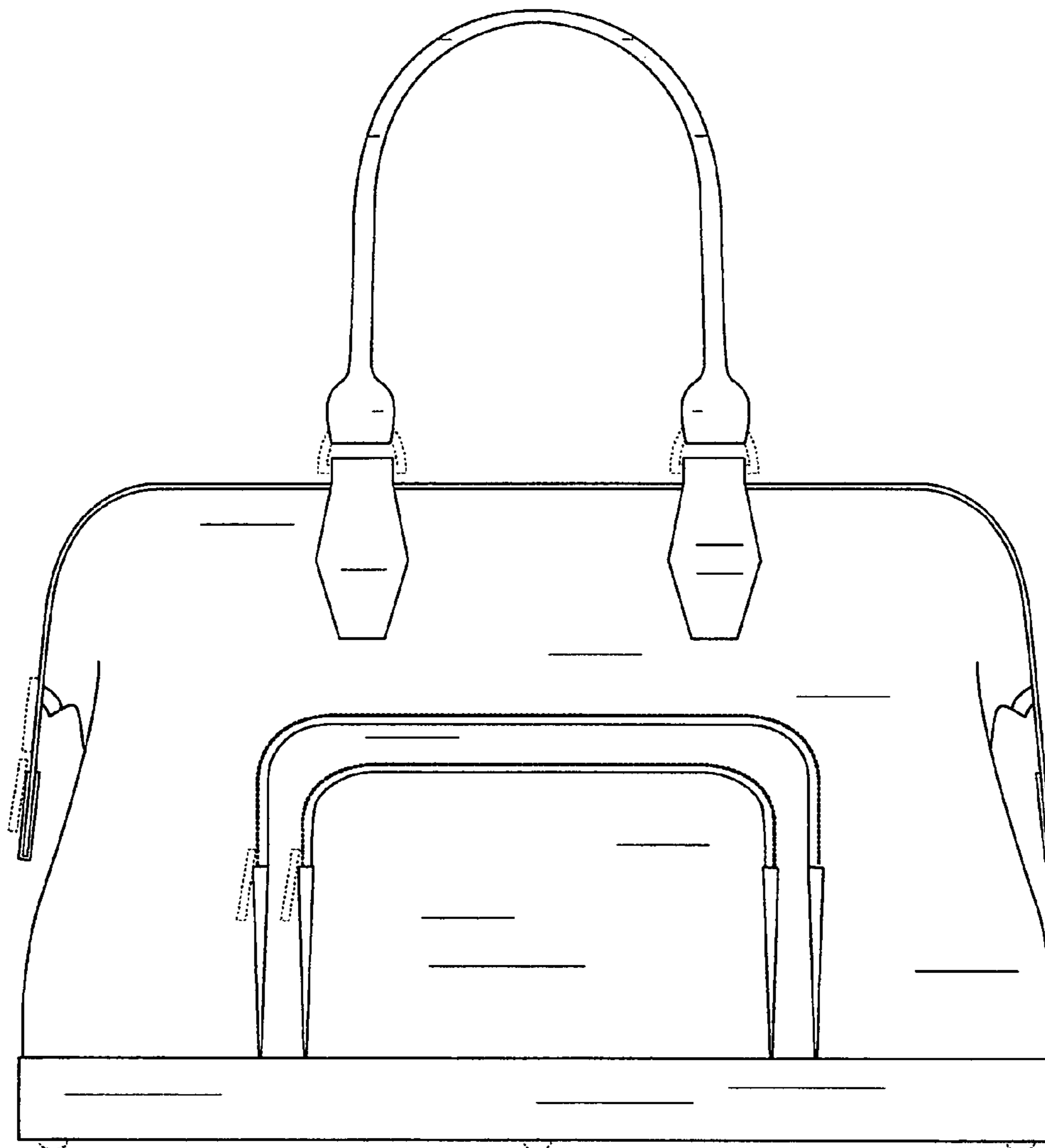


FIG. 3

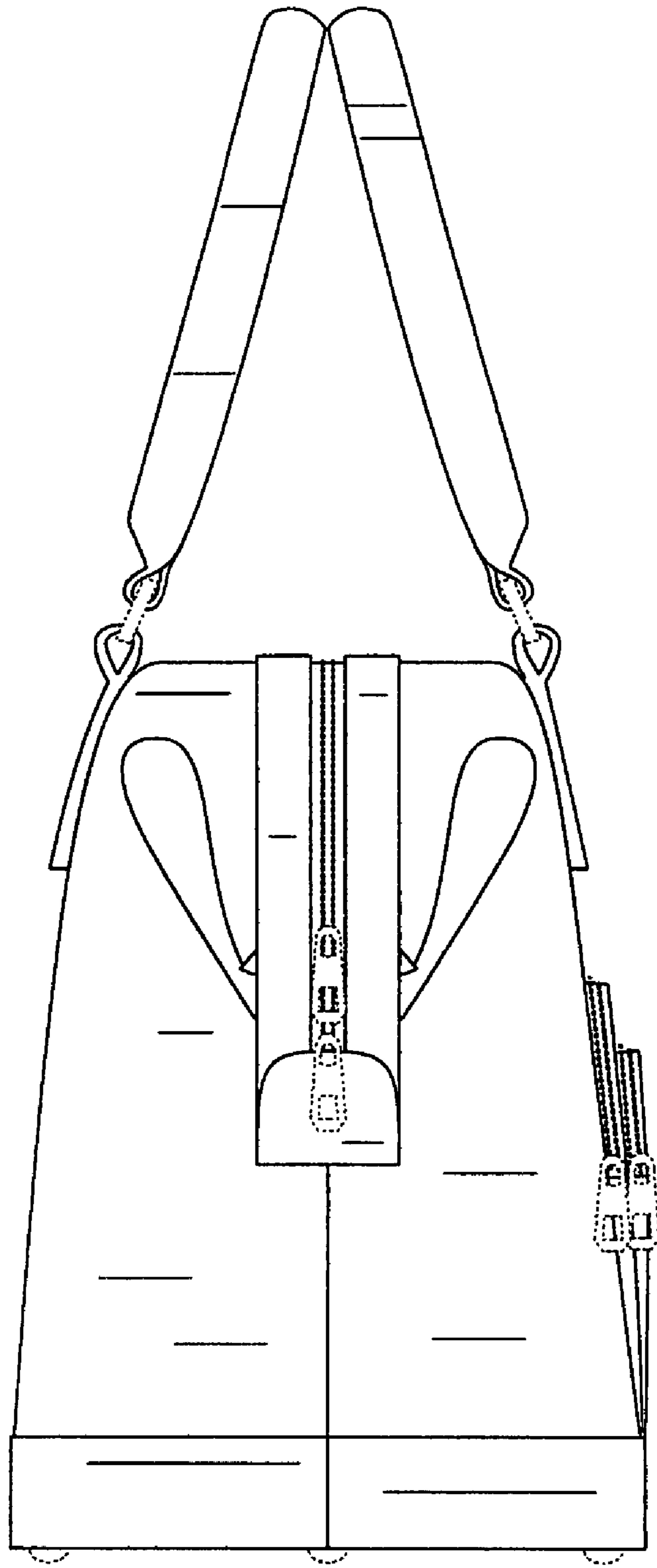


FIG. 2

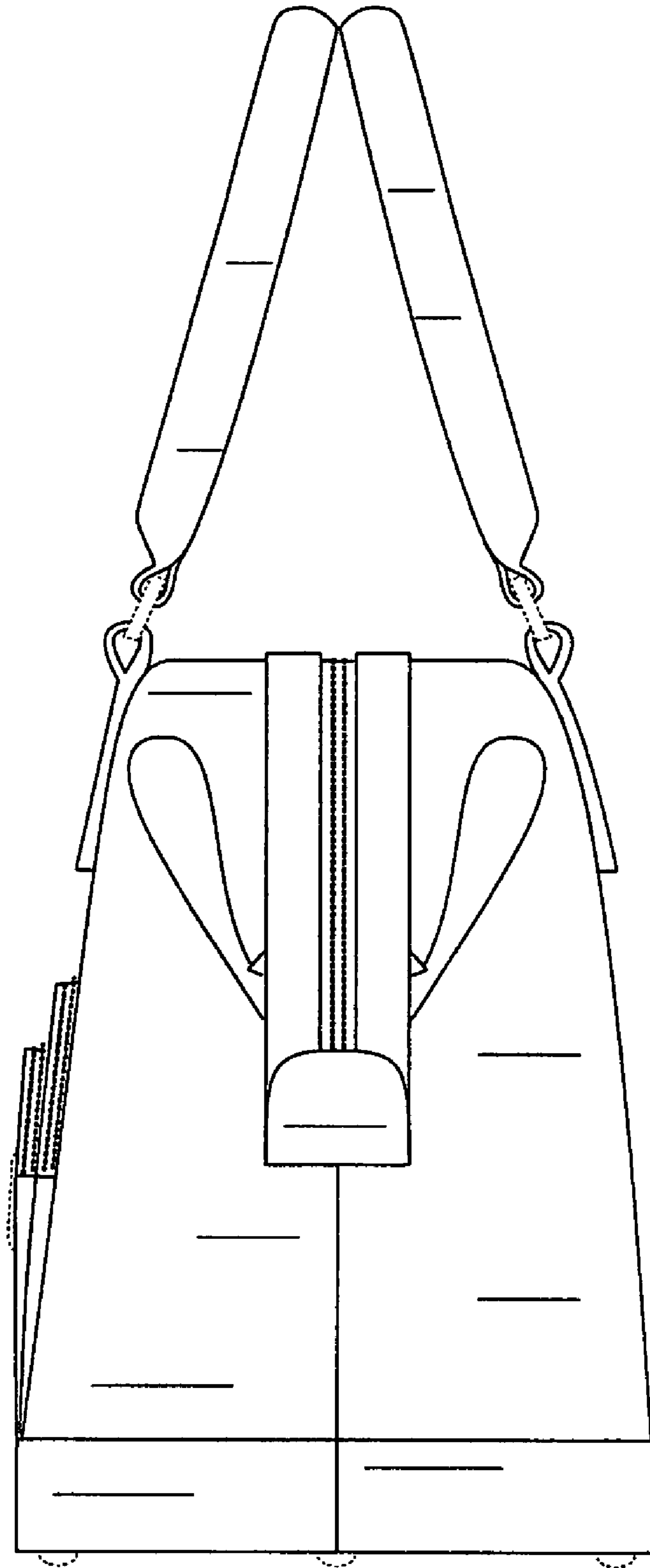


FIG. 4

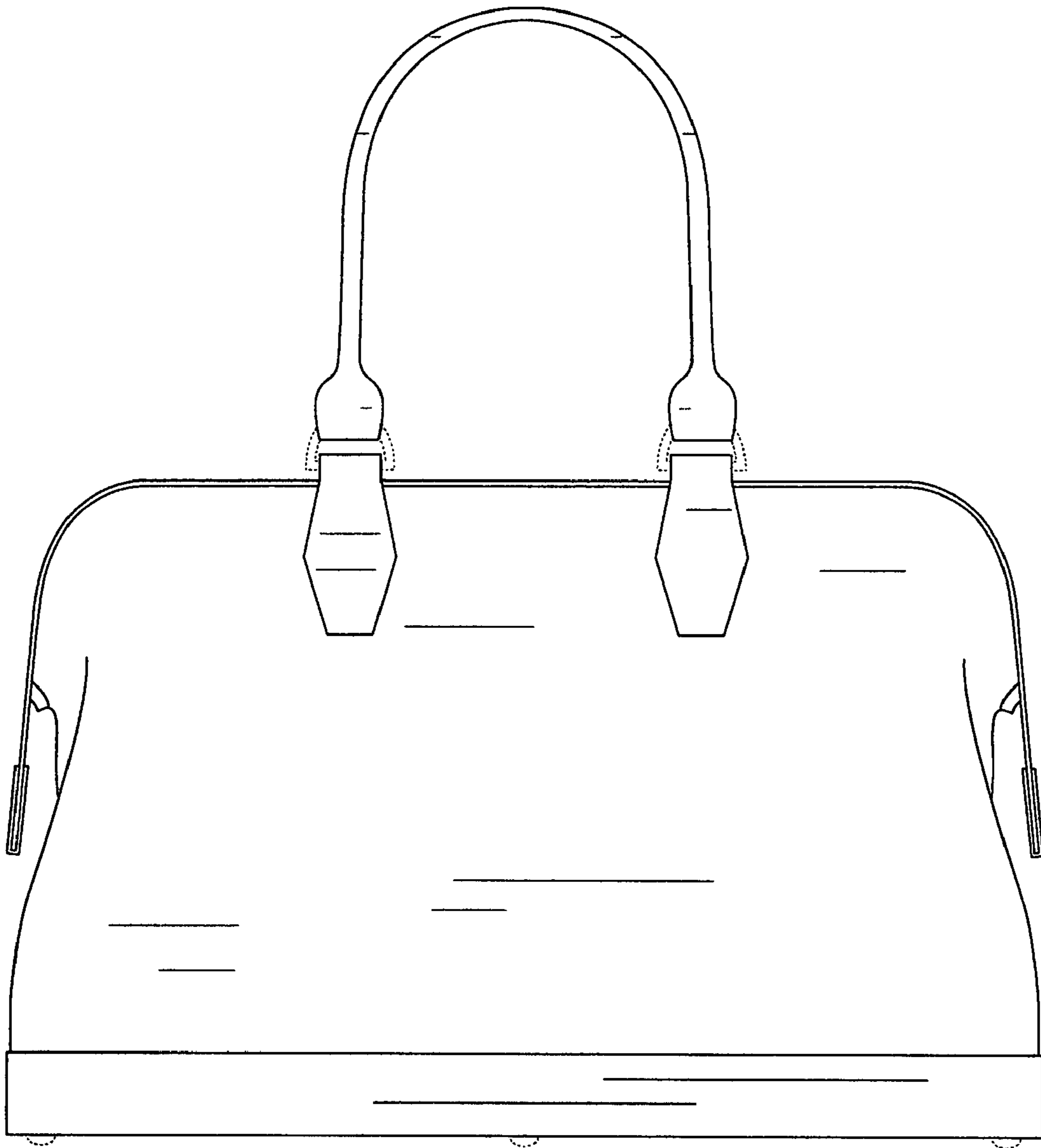


FIG. 5

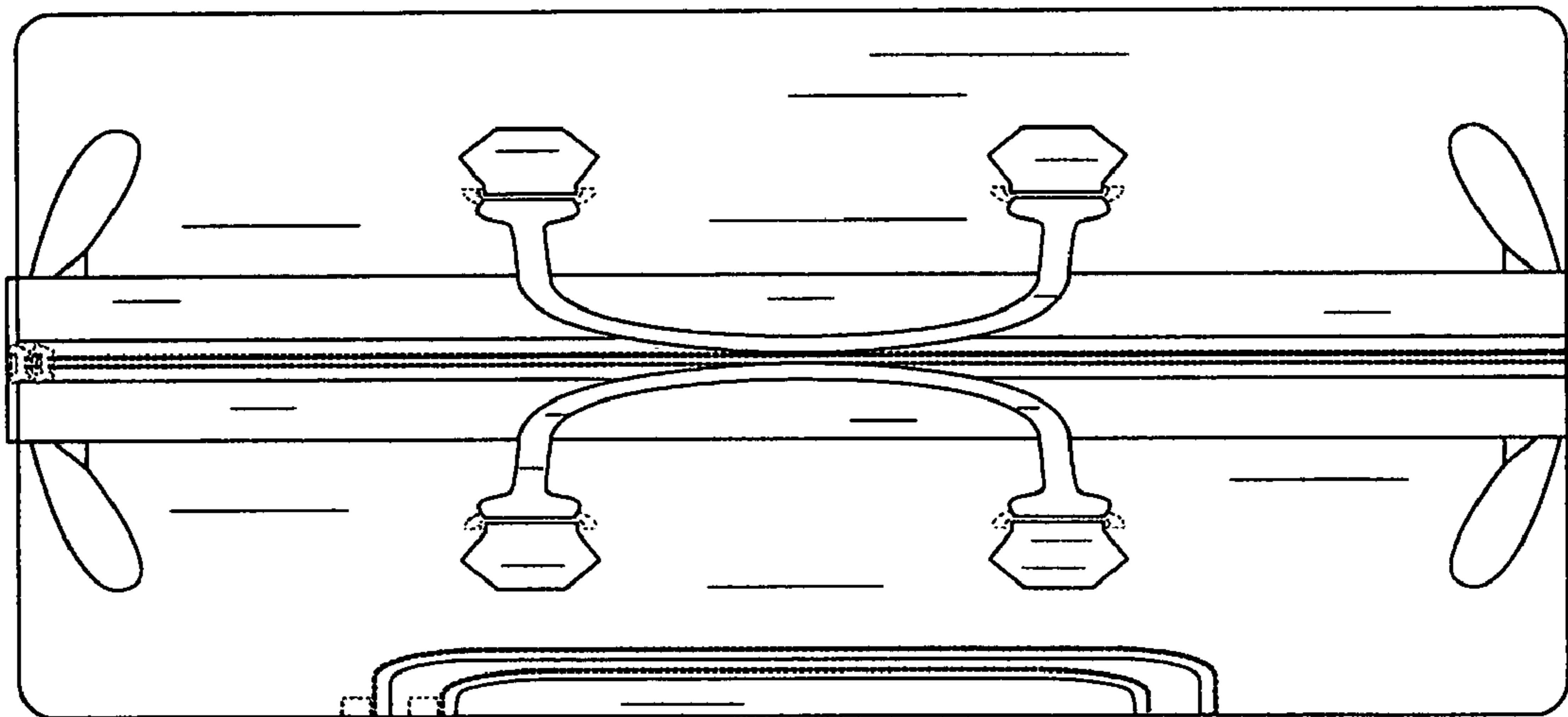


FIG. 6