



US00D570106S

(12) **United States Design Patent**
Della Valle

(10) **Patent No.:** **US D570,106 S**
(45) **Date of Patent:** **** Jun. 3, 2008**

(54) **HANDBAG**

(75) Inventor: **Diego Della Valle**, Sant'Elpidio a Mare (IT)

(73) Assignee: **Gousson-Consultadoria E Marketing LDA**, Funchal-Madeira (PT)

(**) Term: **14 Years**

(21) Appl. No.: **29/284,256**

(22) Filed: **Sep. 4, 2007**

(30) **Foreign Application Priority Data**

Mar. 5, 2007 (EM) 000682596

(51) **LOC (8) Cl.** **03-01**

(52) **U.S. Cl.** **D3/243**

(58) **Field of Classification Search** D3/232, D3/233, 238, 239, 240, 241, 242, 243, 244, D3/245, 246; 150/100, 106, 107, 108, 109, 150/110, 111, 112, 113, 115, 116, 117, 118; 190/100, 103, 104, 105, 108, 109, 110, 111, 190/112, 113, 115, 116, 119; 383/6, 7, 8, 383/9, 10, 12, 13, 17, 18, 20, 21, 22, 26, 383/29, 30, 31, 37, 38, 39, 40, 41, 42, 66, 383/71, 74, 75, 78, 84, 86, 120

See application file for complete search history.

(56) **References Cited**

U.S. PATENT DOCUMENTS

D130,844 S * 12/1941 Pichel D3/243

D471,707 S * 3/2003 Galliano D3/243
D519,732 S * 5/2006 Gonzalez D3/243
D524,045 S * 7/2006 Handley D3/243
D535,818 S * 1/2007 Gonzalez D3/243
D537,626 S * 3/2007 Ghesquiere D3/243

* cited by examiner

Primary Examiner—Louis S Zarfaz

Assistant Examiner—Monica A Weingart

(74) *Attorney, Agent, or Firm*—Knobbe Martens Olson & Bear LLP

(57) **CLAIM**

The ornamental design for a handbag, as shown and described.

DESCRIPTION

FIG. 1 is a right side elevational view of a handbag showing my new design;

FIG. 2 is a front elevational view thereof;

FIG. 3 is rear elevational view thereof;

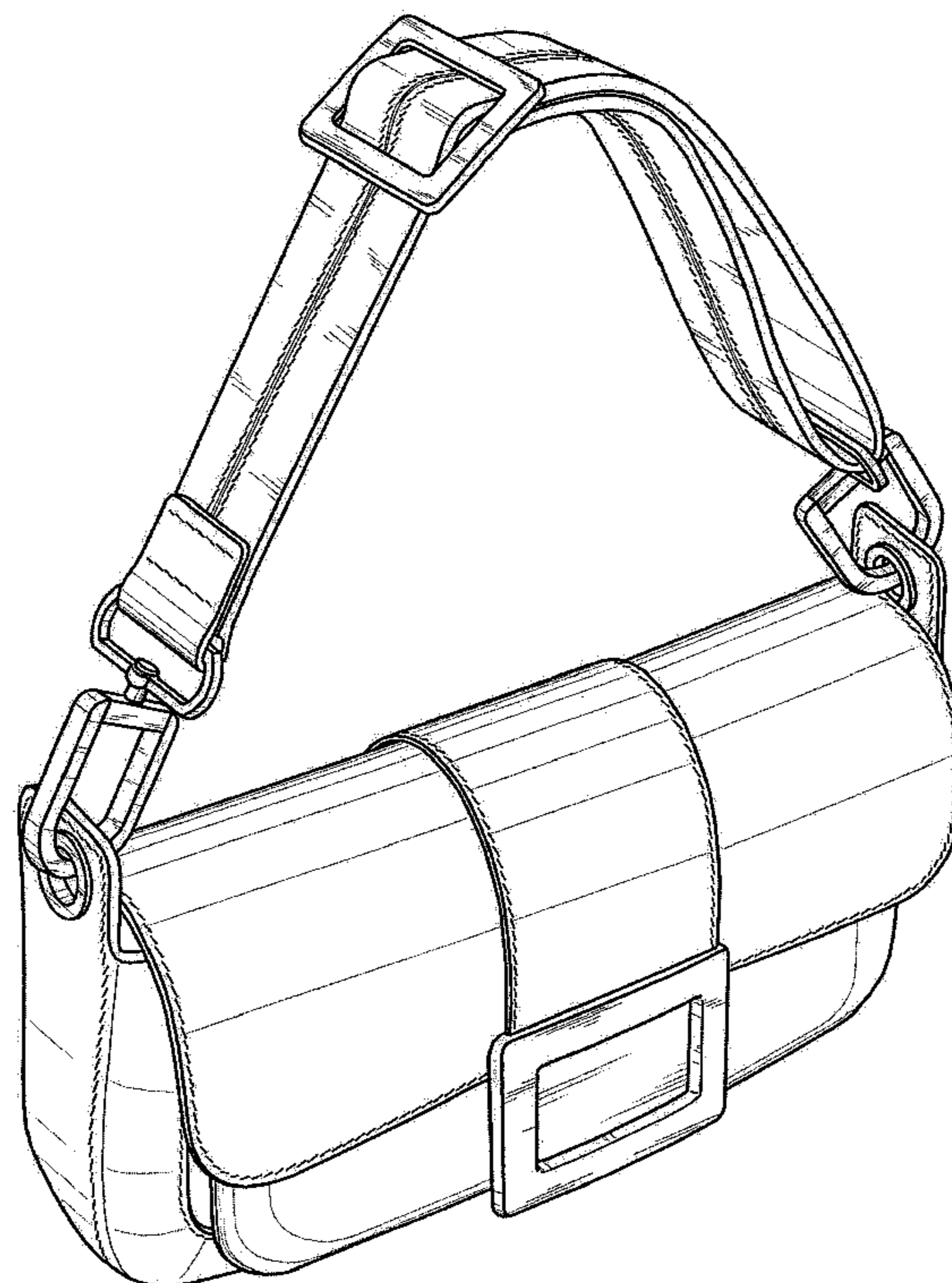
FIG. 4 is a top plan view thereof;

FIG. 5 is a bottom plan view thereof;

FIG. 6 is a left side elevational view thereof; and,

FIG. 7 is a front perspective view thereof.

1 Claim, 7 Drawing Sheets



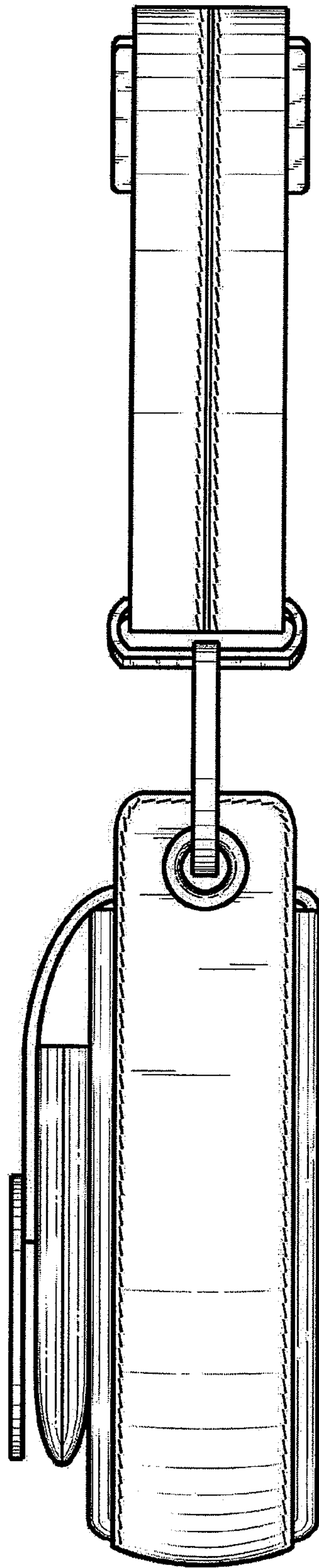


FIG. 1

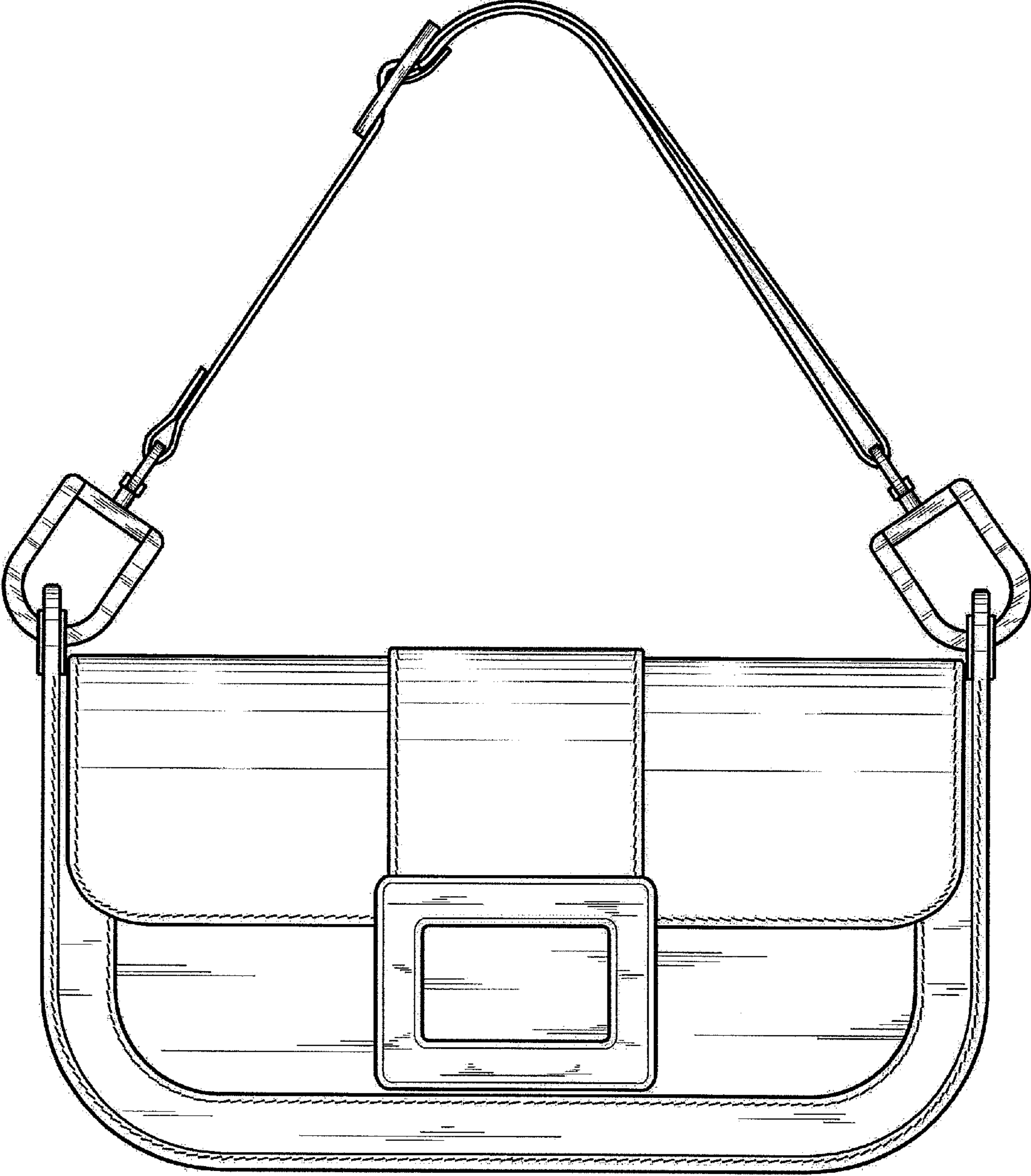


FIG.2

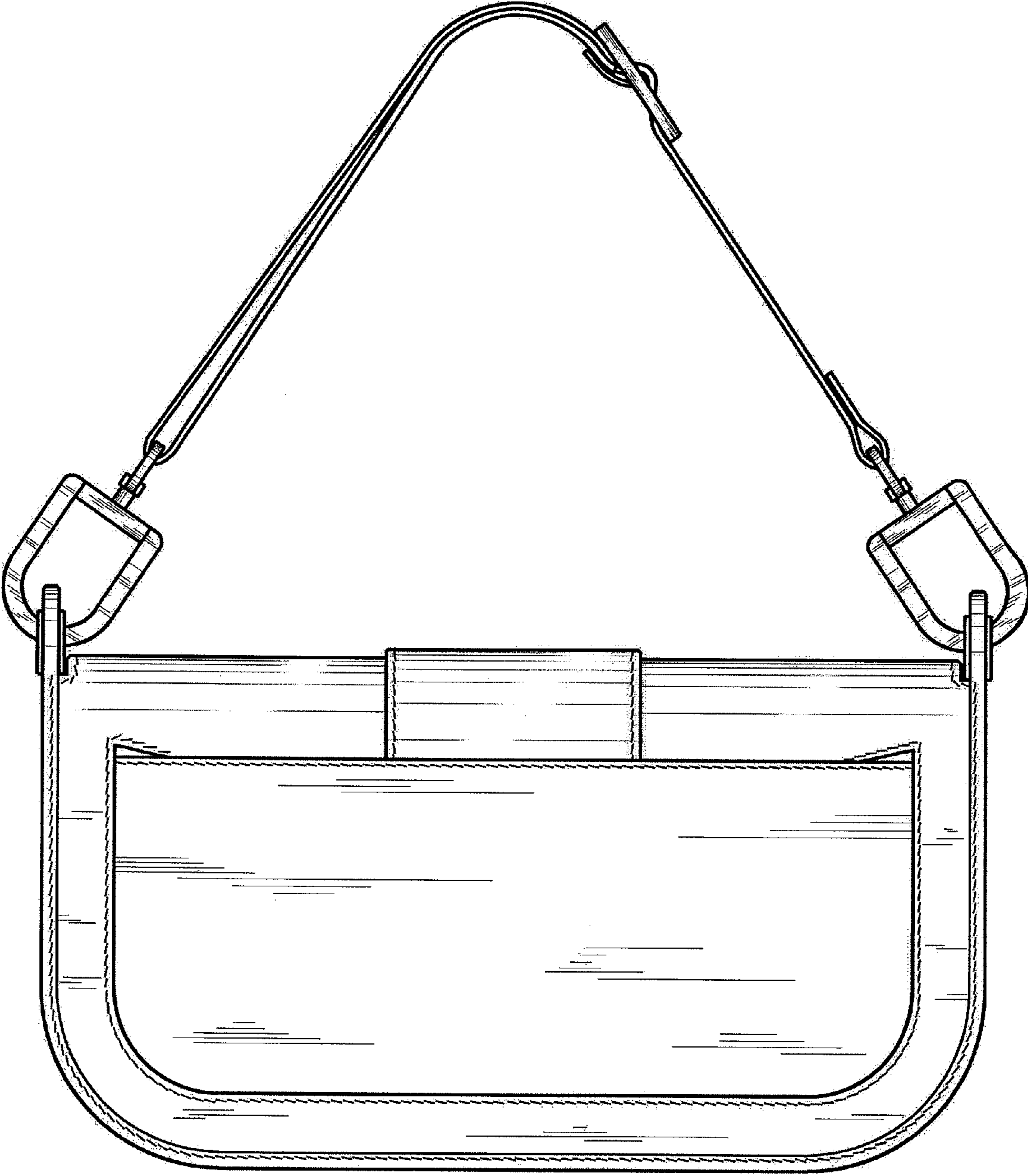


FIG.3

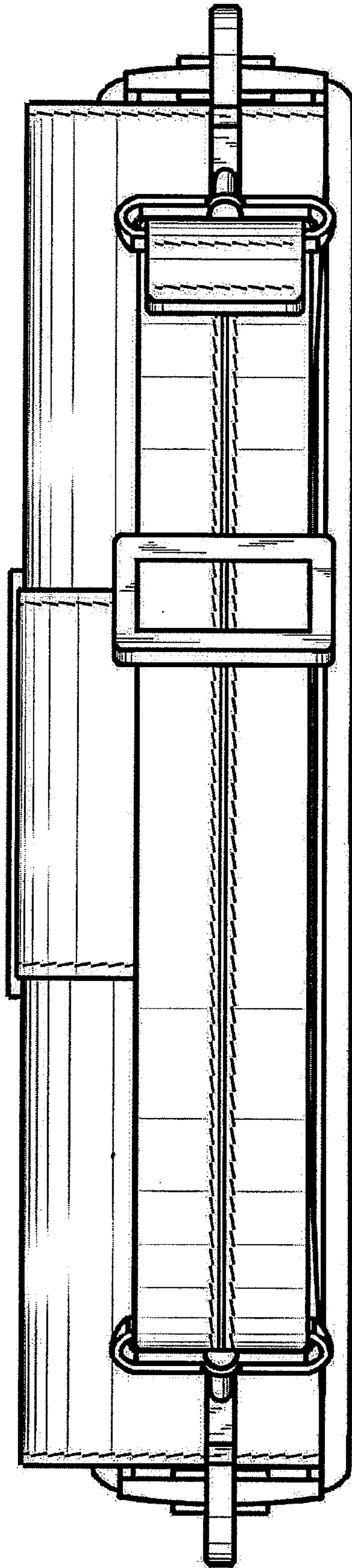


FIG.4

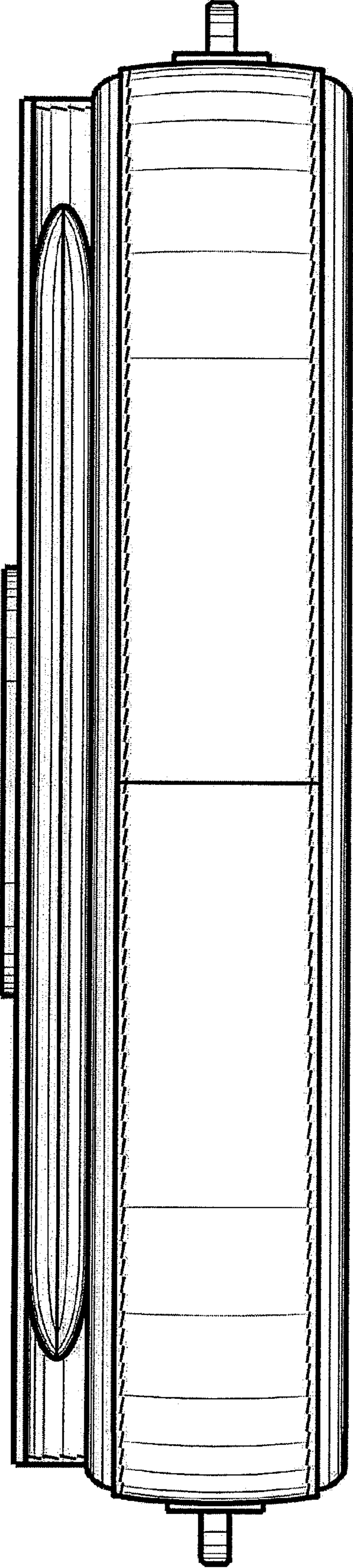


FIG. 5

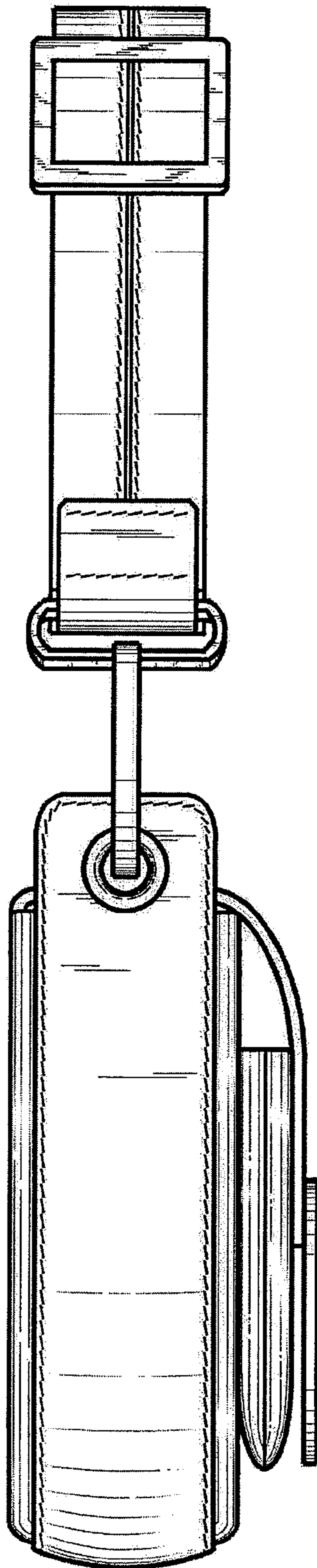


FIG.6

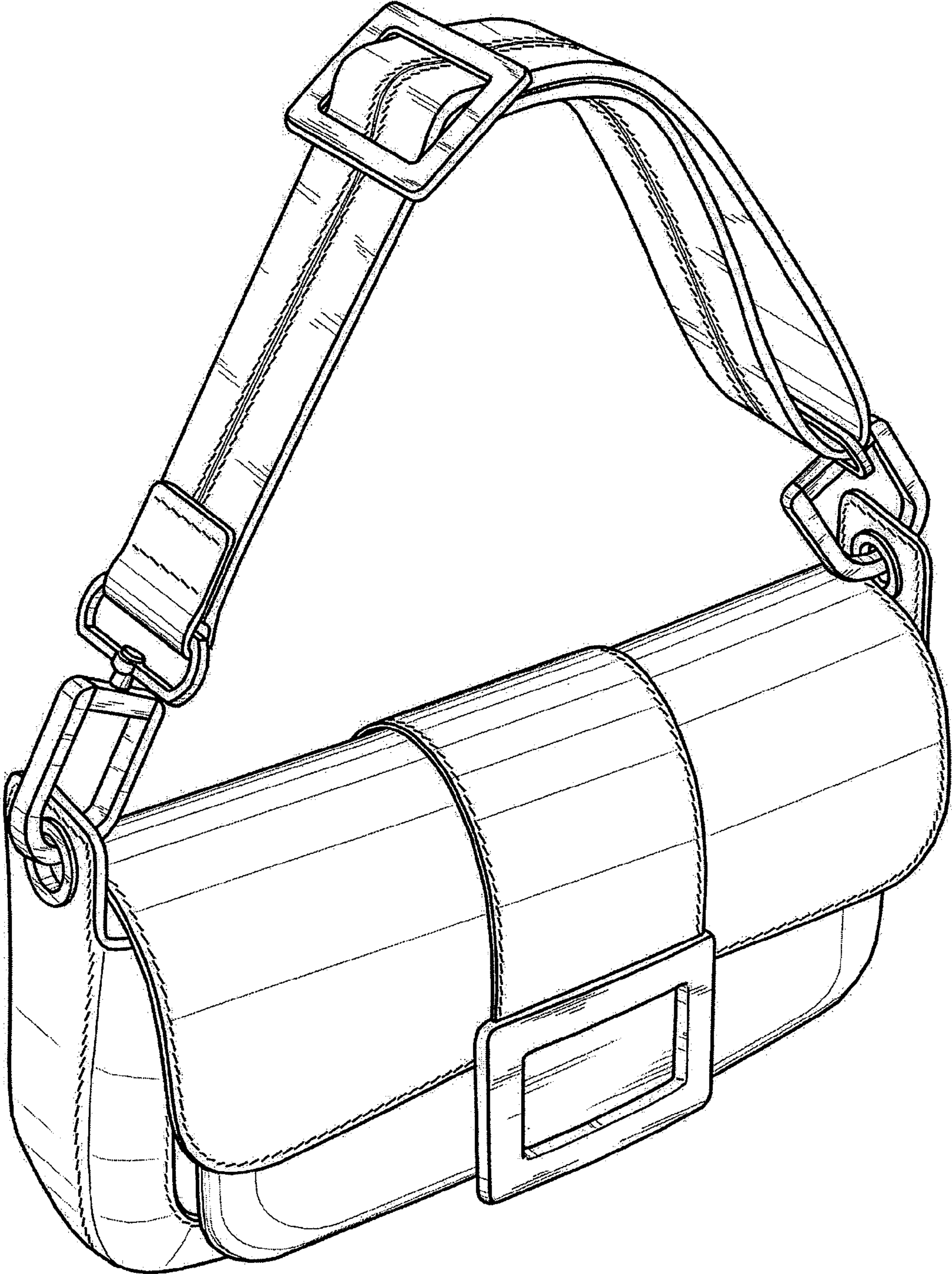


FIG.7