

US00D570100S

(12) **United States Design Patent**
Chen

(10) **Patent No.:** **US D570,100 S**

(45) **Date of Patent:** **** Jun. 3, 2008**

(54) **COVER USED IN ELECTRONIC APPARATUS**

2005/0135603 A1* 6/2005 Stanford 379/454

(75) Inventor: **I-Ming Chen**, Taipei (TW)

* cited by examiner

(73) Assignee: **Singim International Corp.**, Taipei
Hsien (TW)

Primary Examiner—Catherine R Oliver
(74) *Attorney, Agent, or Firm*—Bacon & Thomas, PLLC.

(**) Term: **14 Years**

(57) **CLAIM**

(21) Appl. No.: **29/269,385**

The ornamental design for a cover used in electronic apparatus, as shown and described.

(22) Filed: **Nov. 30, 2006**

DESCRIPTION

(51) **LOC (8) Cl.** **03-01**

(52) **U.S. Cl.** **D3/218**

(58) **Field of Classification Search** D3/218,
D3/215, 219, 228, 226, 230, 303, 232–246;
224/240, 914, 904, 675–677, 242, 647, 666–668,
224/197; 379/454–455; 455/550, 575, 90
See application file for complete search history.

FIG. 1 is a perspective view of a cover used in electronic apparatus showing my design;

FIG. 2 is a front view thereof;

FIG. 3 is a rear view thereof;

FIG. 4 is a left side view thereof;

FIG. 5 is a right side view thereof;

FIG. 6 is a top view thereof;

FIG. 7 is a bottom view thereof; and,

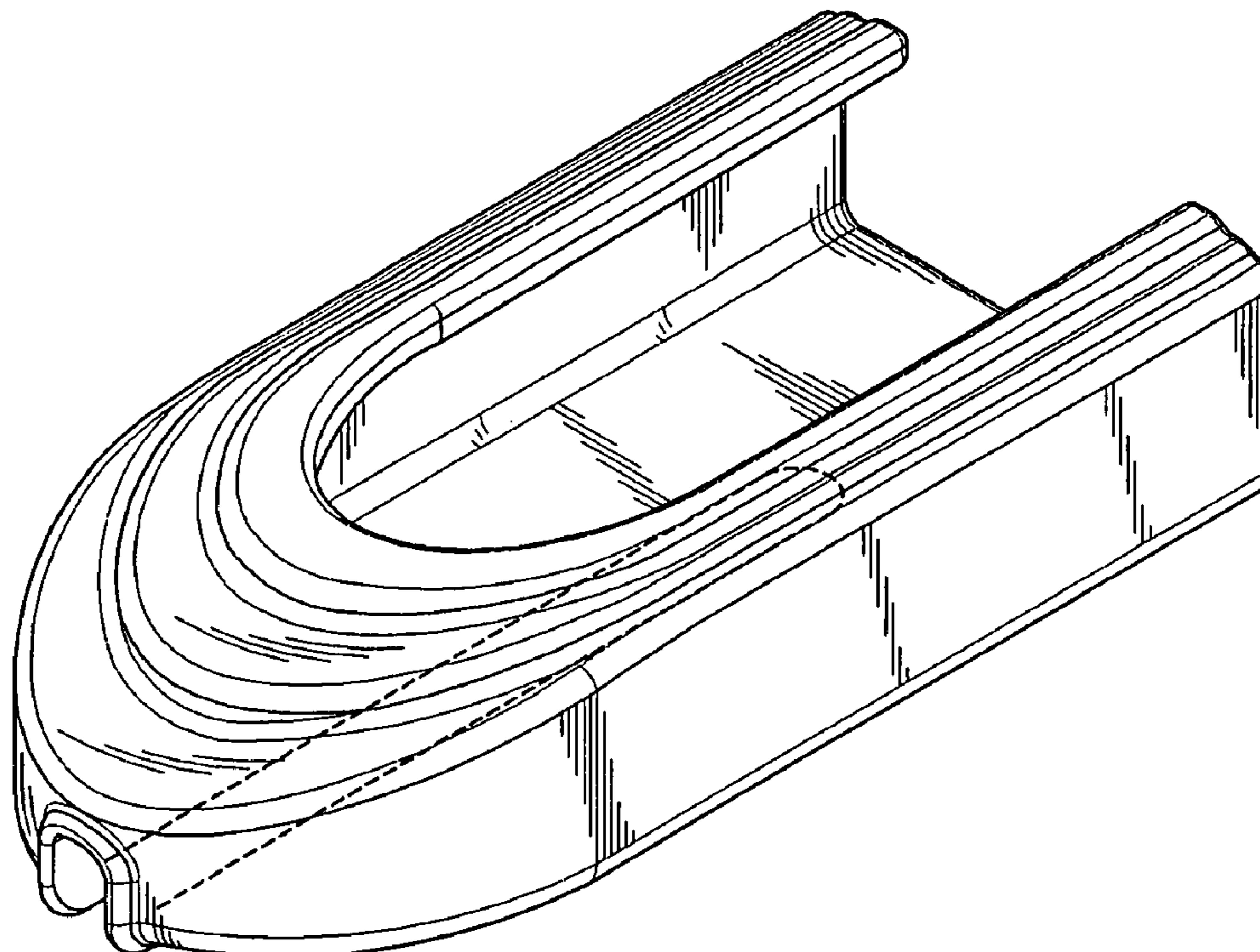
FIG. 8 is a perspective view thereof, and the portion of the cord retainer in broken lines are shown for illustrative purposes only and form no part of the claimed design.

(56) **References Cited**

U.S. PATENT DOCUMENTS

D413,435 S *	9/1999	Chapman et al.	D3/219
D543,022 S *	5/2007	Alon et al.	D3/218
D548,457 S *	8/2007	Reinerio	D3/218
D548,960 S *	8/2007	Tages et al.	D3/218
D550,450 S *	9/2007	Dong	D3/218

1 Claim, 7 Drawing Sheets



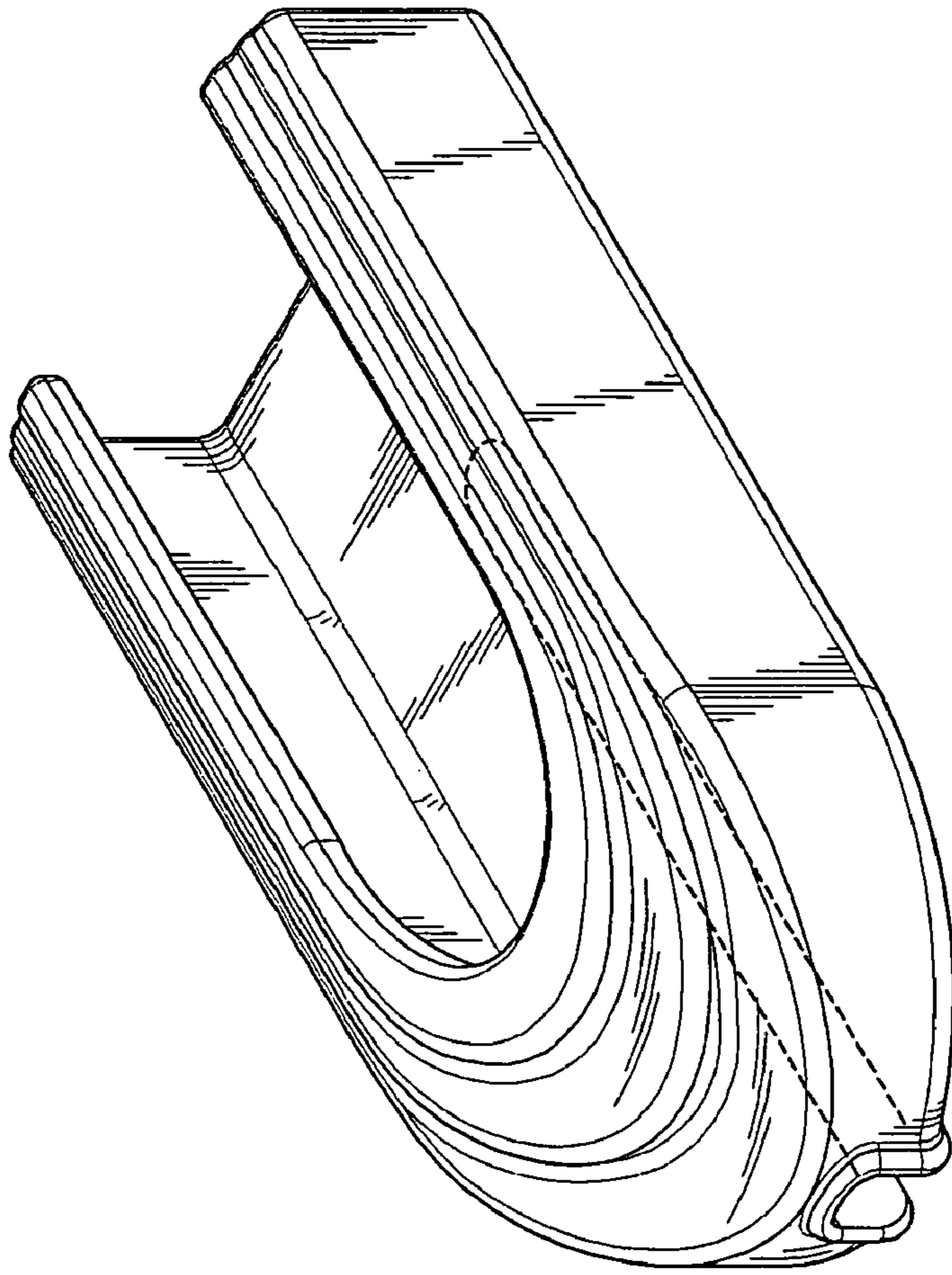


FIG. 1

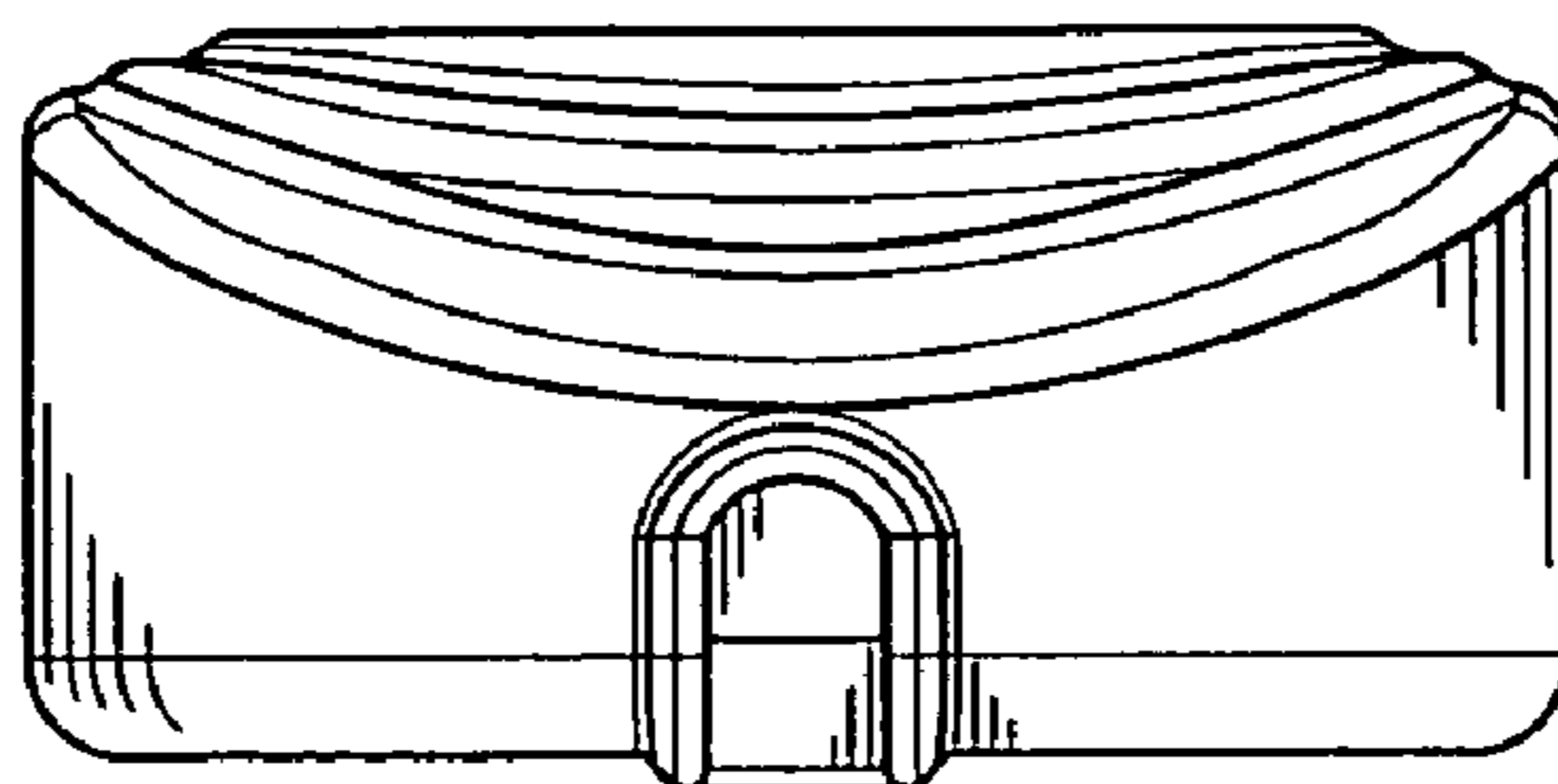


FIG. 2

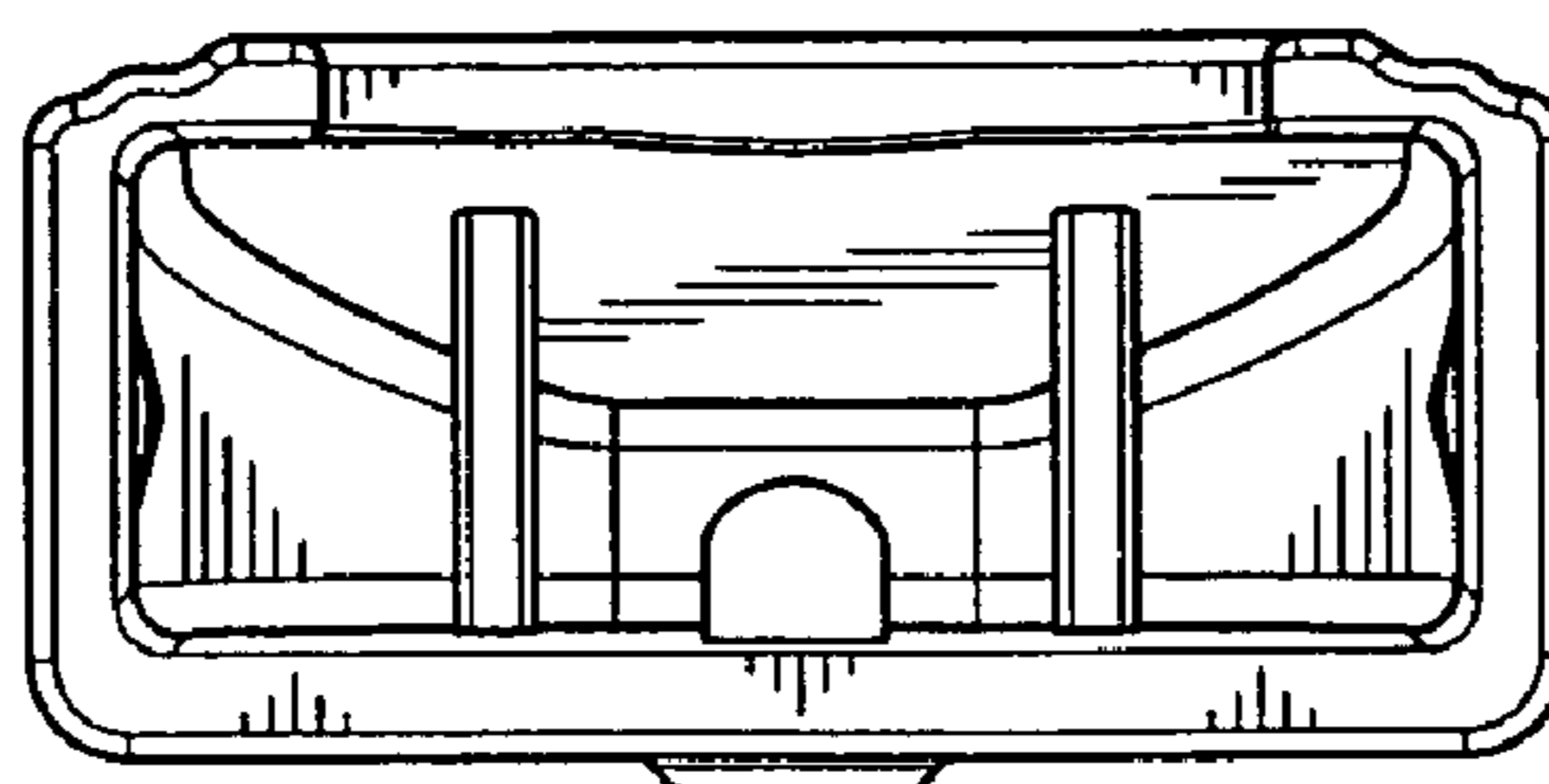


FIG. 3

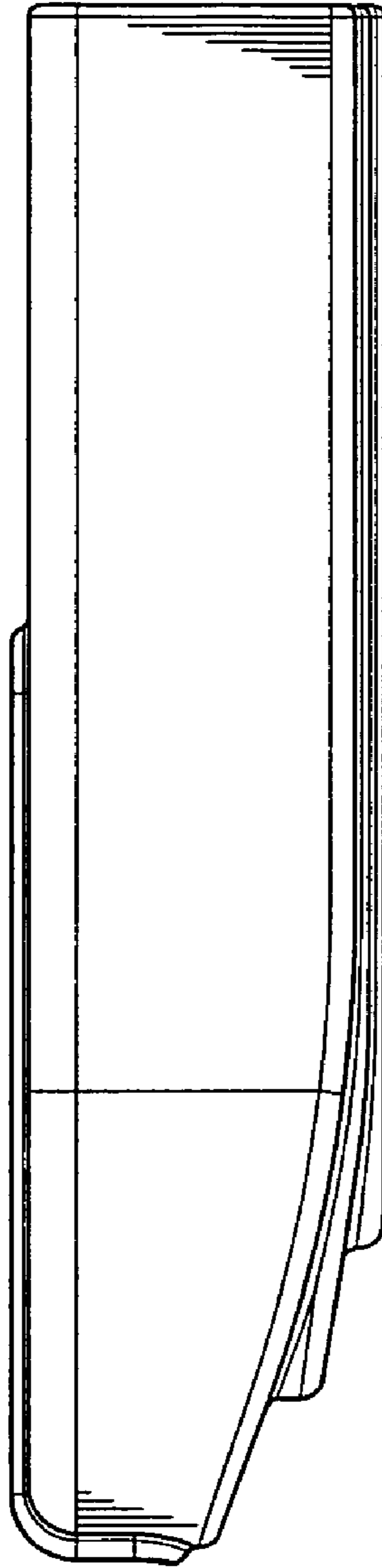


FIG. 4

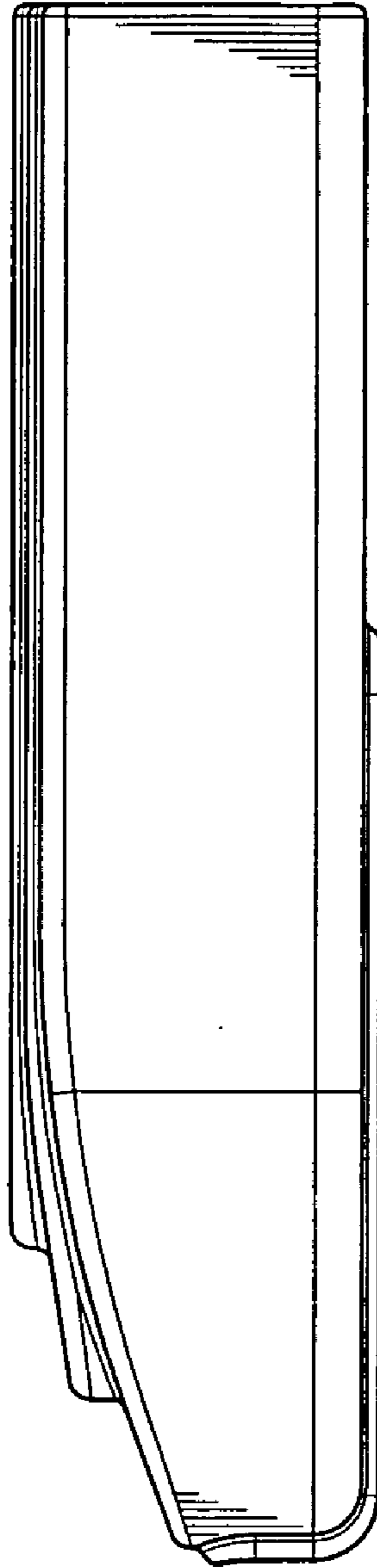


FIG. 5

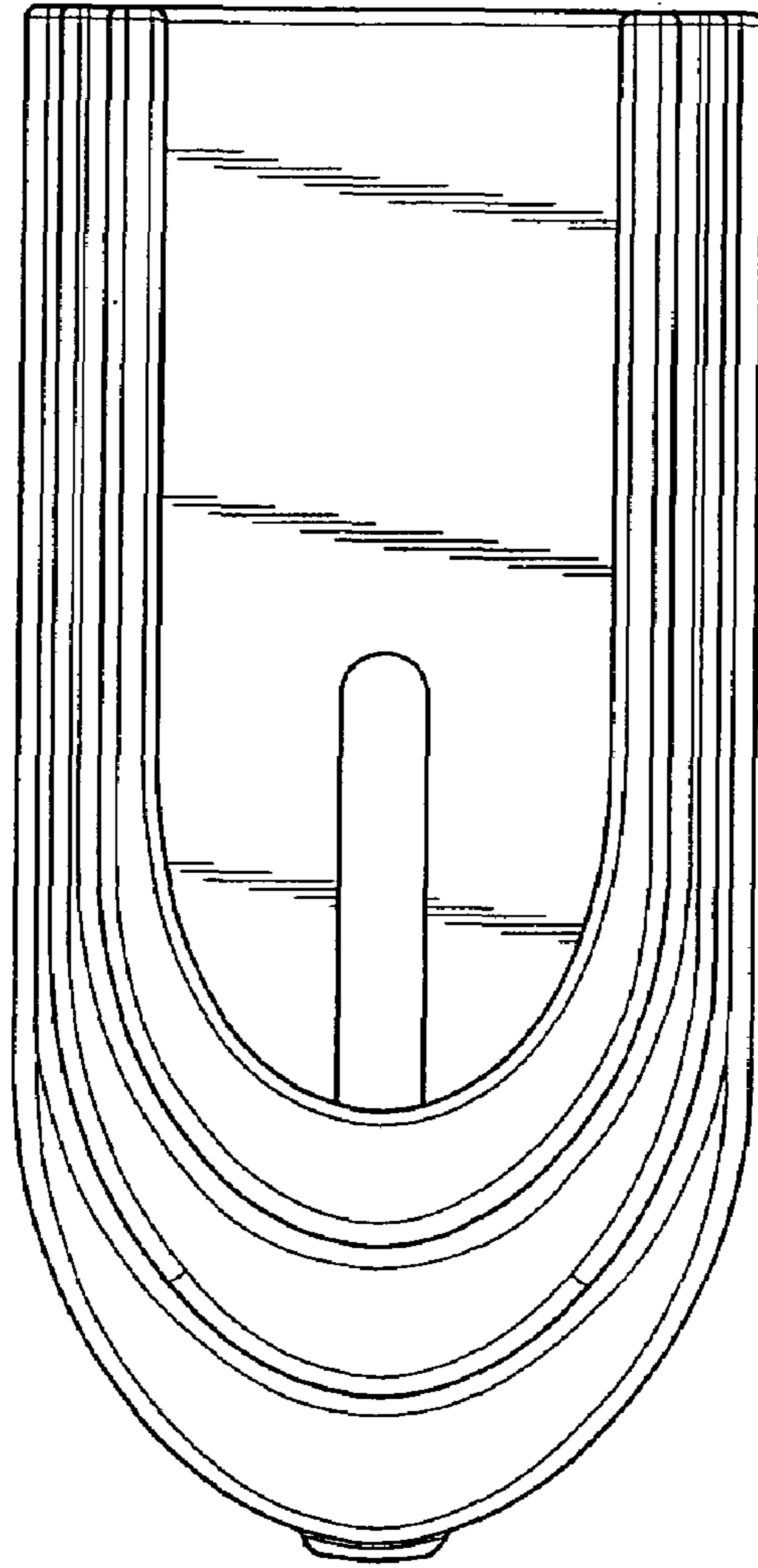


FIG. 6

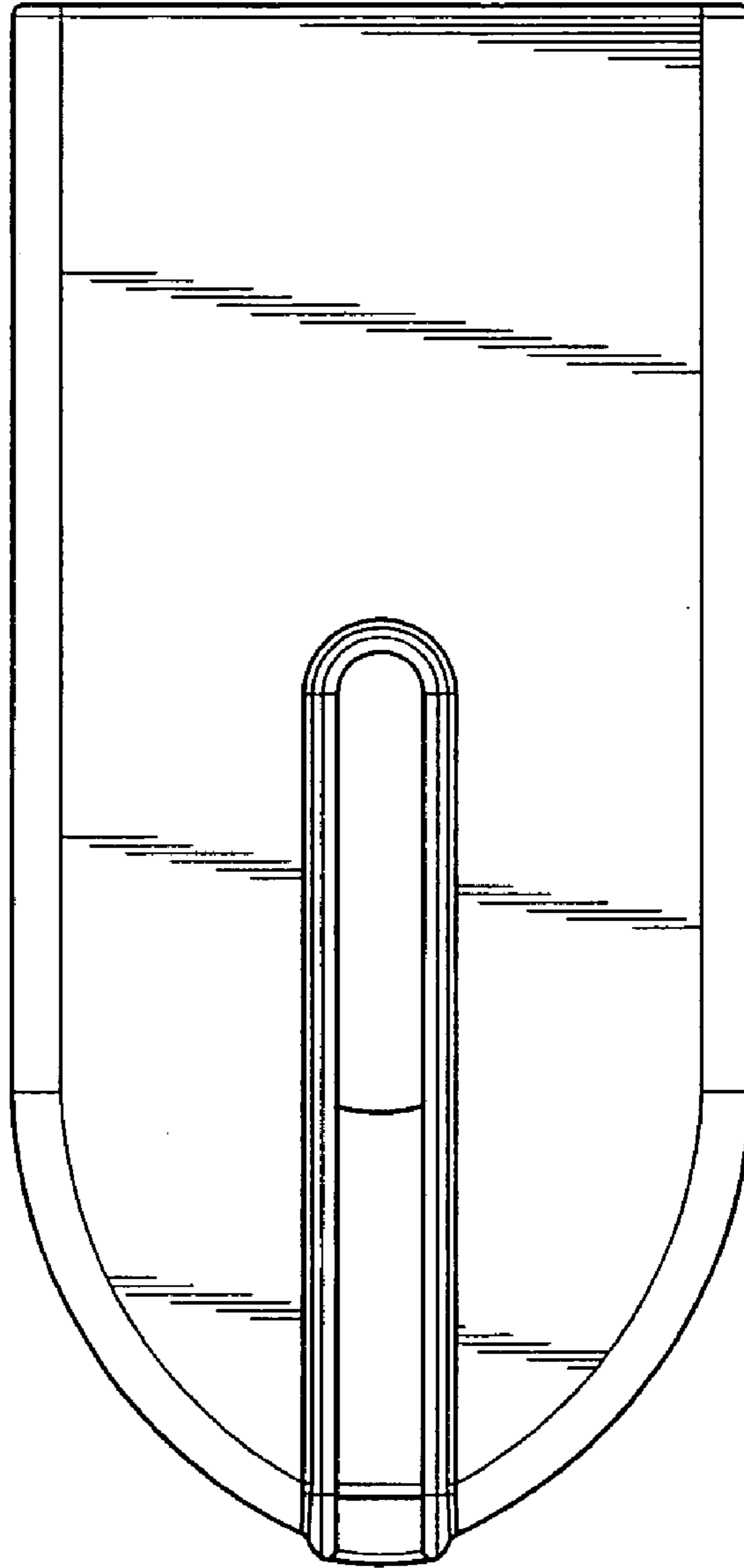


FIG. 7

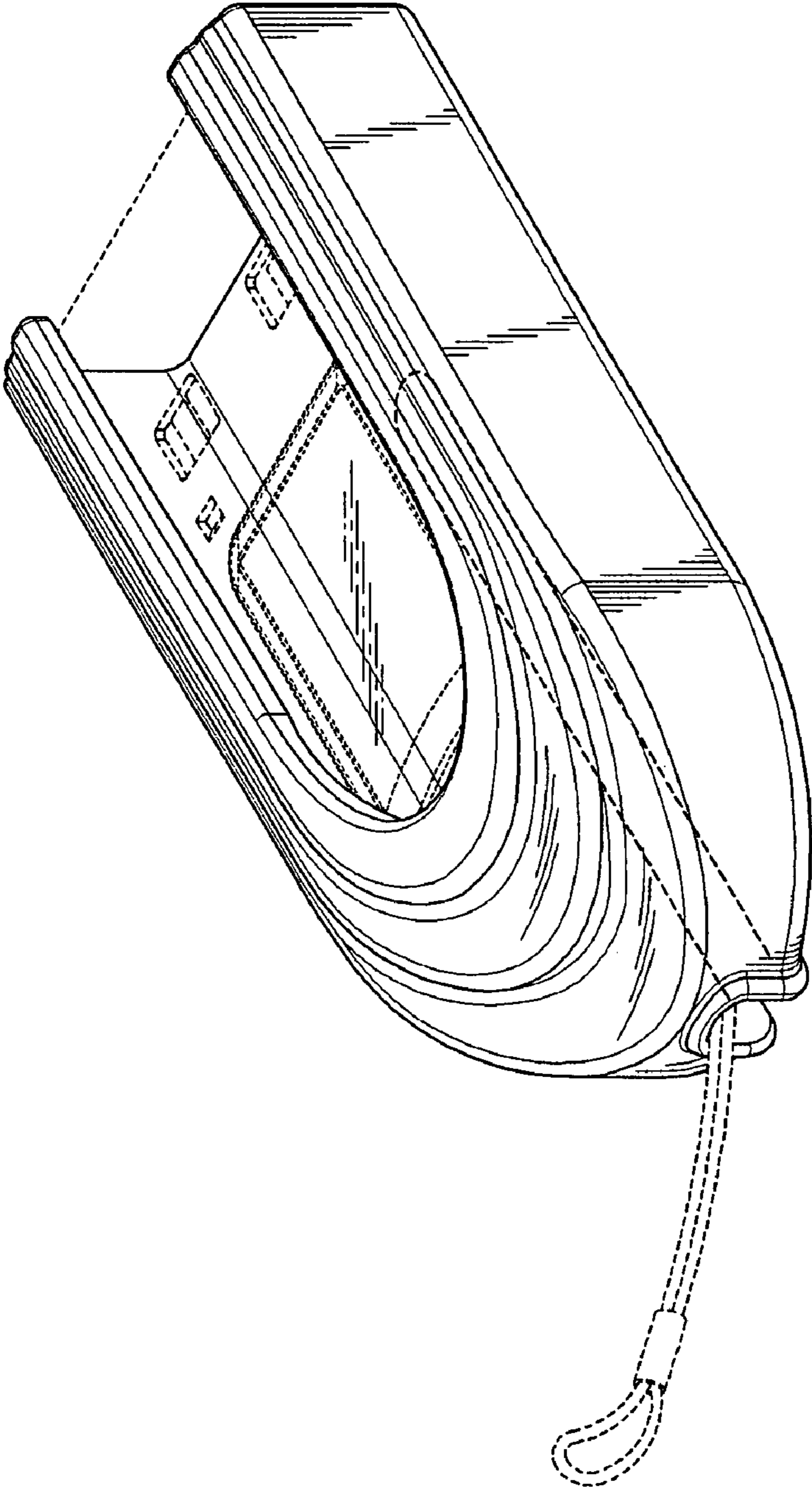


FIG. 8