



US00D570097S

(12) **United States Design Patent**  
**Chen**

(10) **Patent No.:** **US D570,097 S**

(45) **Date of Patent:** **\*\* Jun. 3, 2008**

(54) **MUSICAL INSTRUMENT CASE**

(76) Inventor: **Ming-Wei Chen**, No. 14, Jhuhe Rd.,  
Houll Township, Taichung County 421  
(TW)

(\*\*) Term: **14 Years**

(21) Appl. No.: **29/260,894**

(22) Filed: **Jun. 5, 2006**

(30) **Foreign Application Priority Data**

Dec. 5, 2005 (TW) ..... 94307429

(51) **LOC (8) Cl.** ..... **03-01**

(52) **U.S. Cl.** ..... **D3/204**

(58) **Field of Classification Search** ..... D3/201,  
D3/204, 232, 265, 272-273, 276, 294; D17/20,  
D17/22, 99; 84/453; 190/100, 900; 211/85.6;  
224/910; 150/162

See application file for complete search history.

(56) **References Cited**

**U.S. PATENT DOCUMENTS**

D129,108 S \* 8/1941 Sprague ..... D3/268  
2,316,328 A \* 4/1943 Guenther et al. .... 190/124  
D158,354 S \* 5/1950 Bert ..... D3/292  
D249,584 S \* 9/1978 Atkinson ..... D3/204  
D249,979 S \* 10/1978 Fernandez ..... D3/204  
D378,164 S \* 2/1997 Lee ..... D3/276

D414,037 S \* 9/1999 Akaike et al. .... D3/276  
D499,883 S \* 12/2004 Perella et al. .... D3/276  
D509,357 S \* 9/2005 Perella et al. .... D3/267

\* cited by examiner

*Primary Examiner*—Ian Simmons

*Assistant Examiner*—Anna J Burmeister

(74) *Attorney, Agent, or Firm*—Troxell Law Office, PLLC

(57) **CLAIM**

The ornamental design for an musical instrument case, as shown and described.

**DESCRIPTION**

FIG. 1 is a top, front, and left side perspective view of an musical instrument case, showing my new design;

FIG. 2 is a front elevational view thereof;

FIG. 3 is a rear elevational view thereof;

FIG. 4 is a left side elevational view thereof;

FIG. 5 is a right side elevational view thereof;

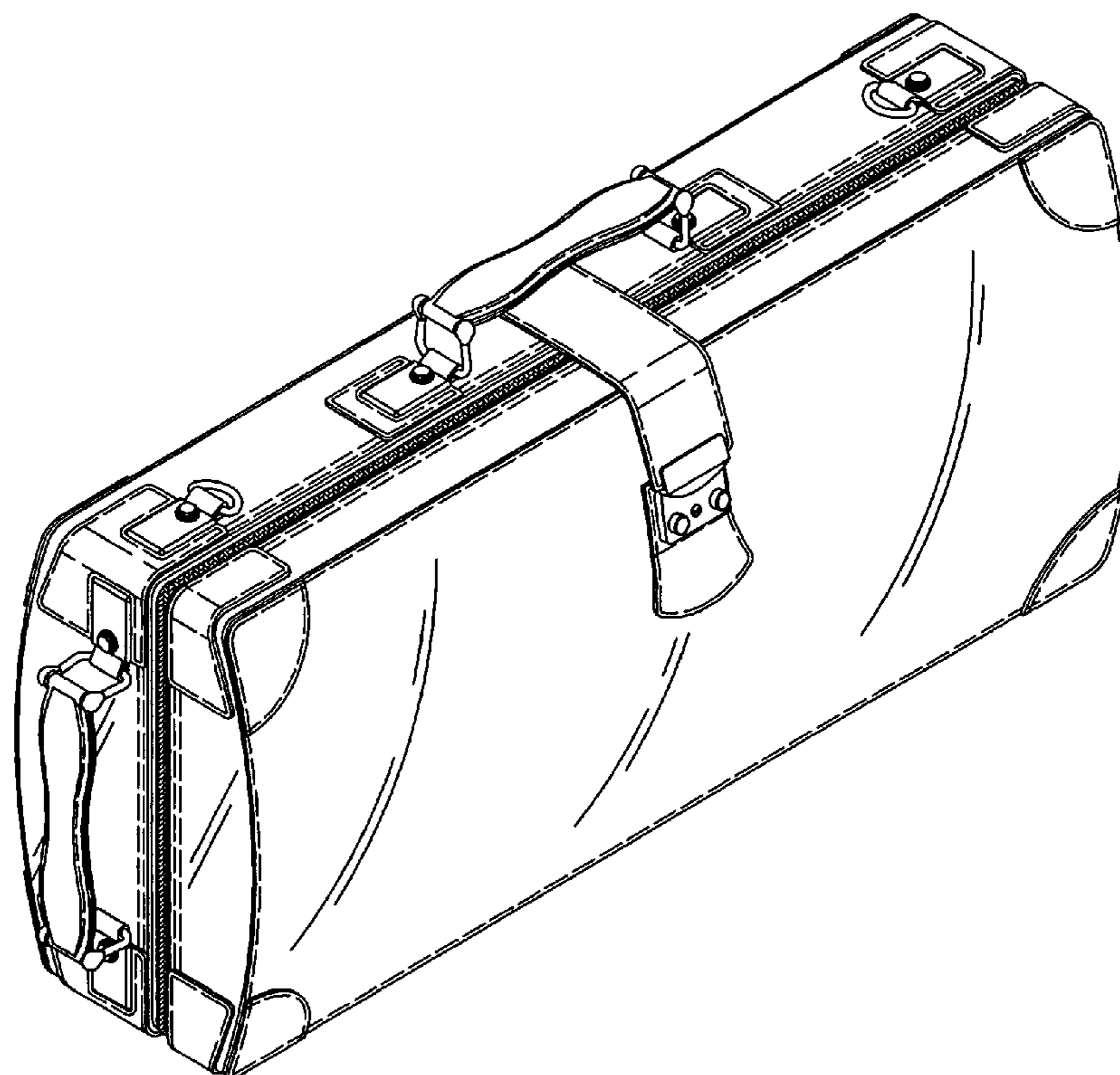
FIG. 6 is a top plan view thereof;

FIG. 7 is a bottom plan thereof; and,

FIG. 8 is bottom, front, and left side perspective view thereof.

The dashed lines featured on the drawing views represents stitching.

**1 Claim, 5 Drawing Sheets**



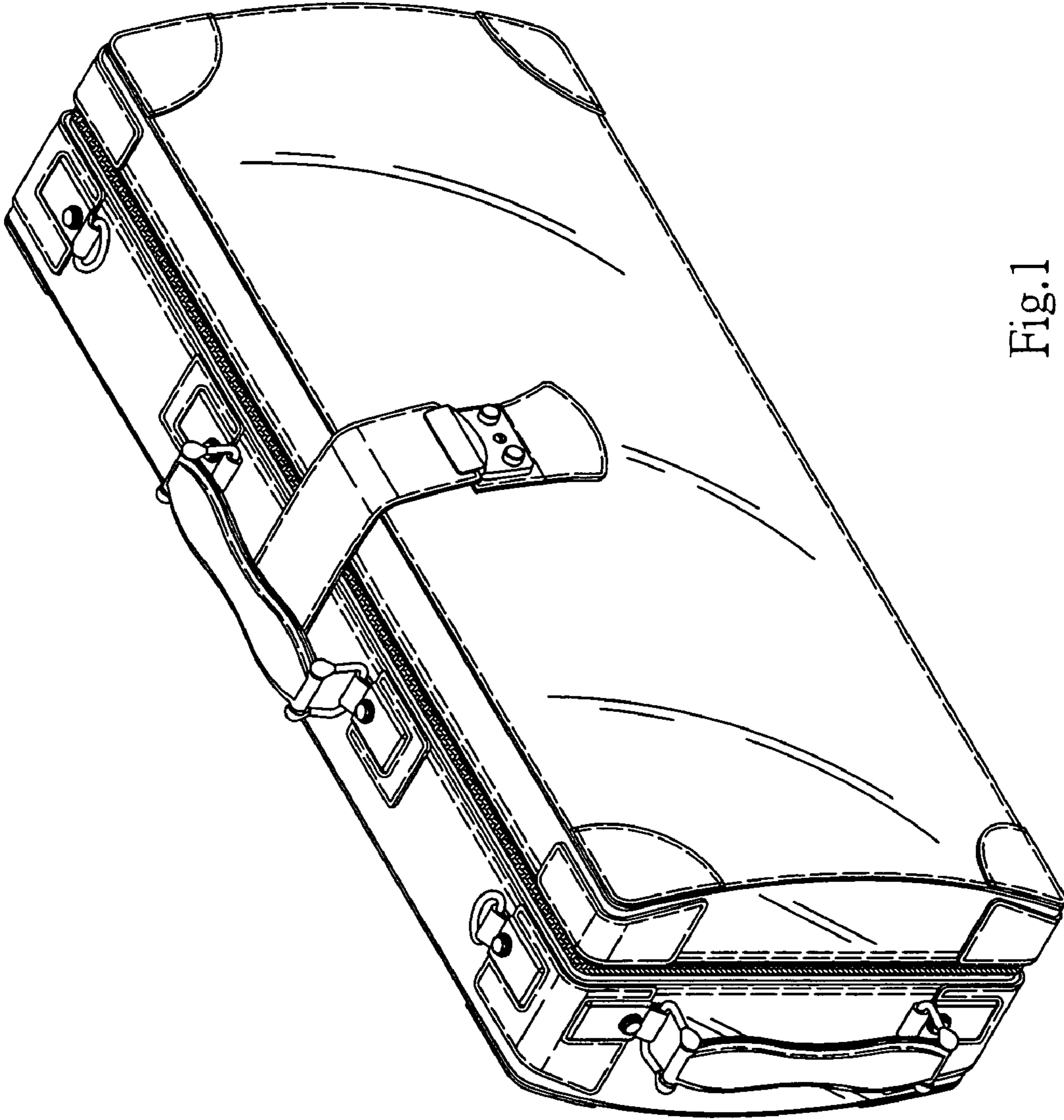


Fig. 1

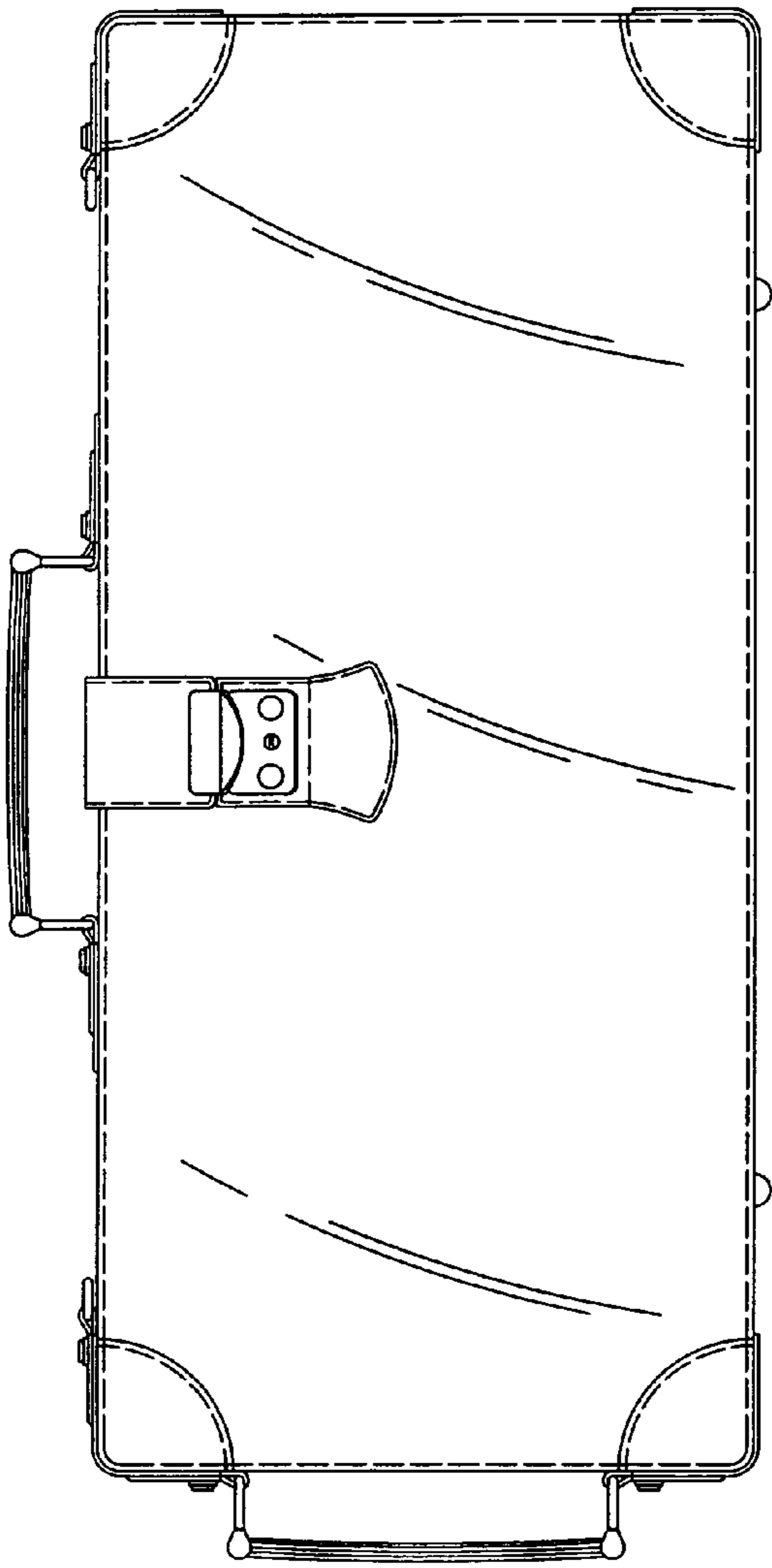


Fig.2

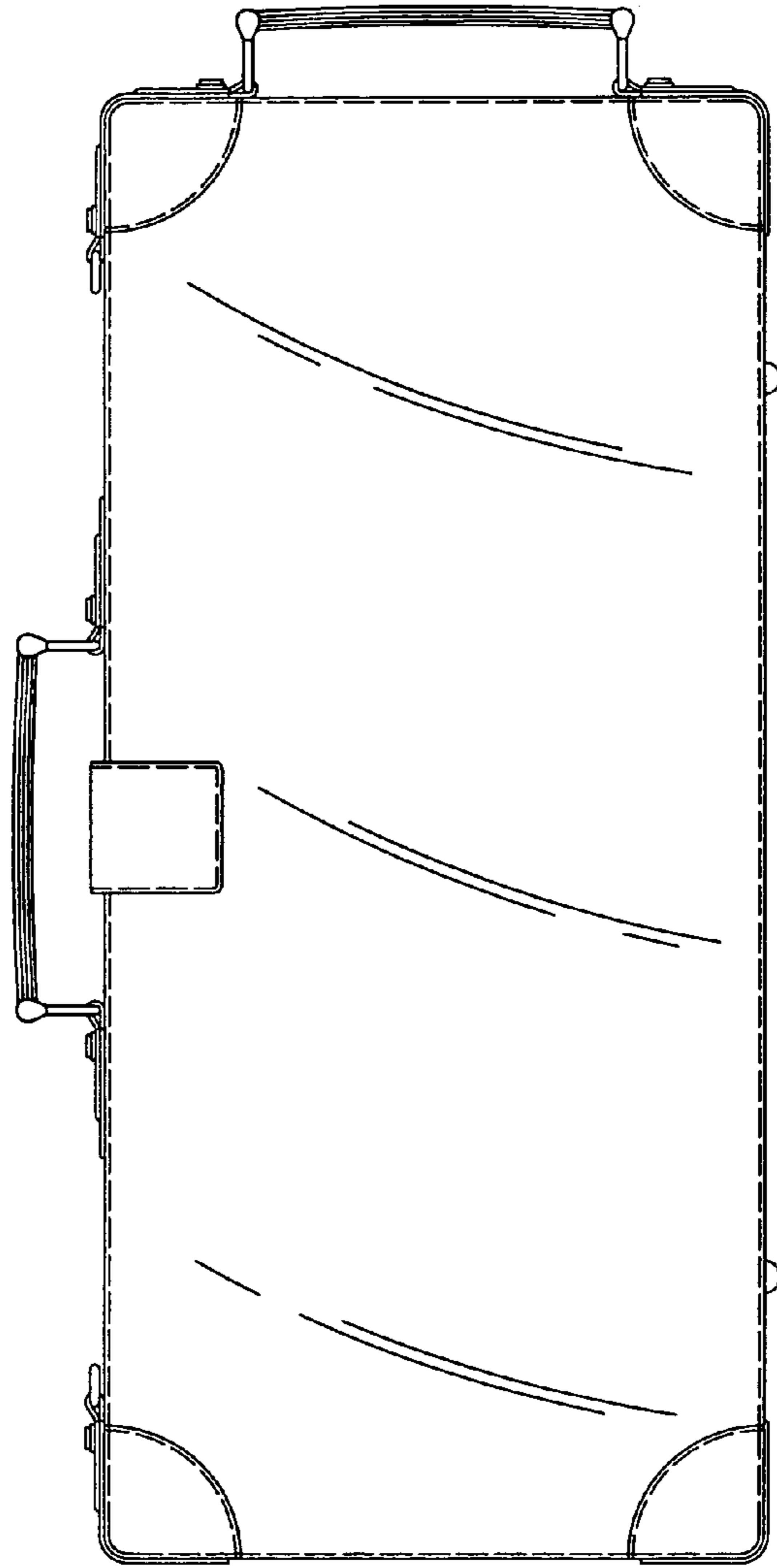


Fig.3

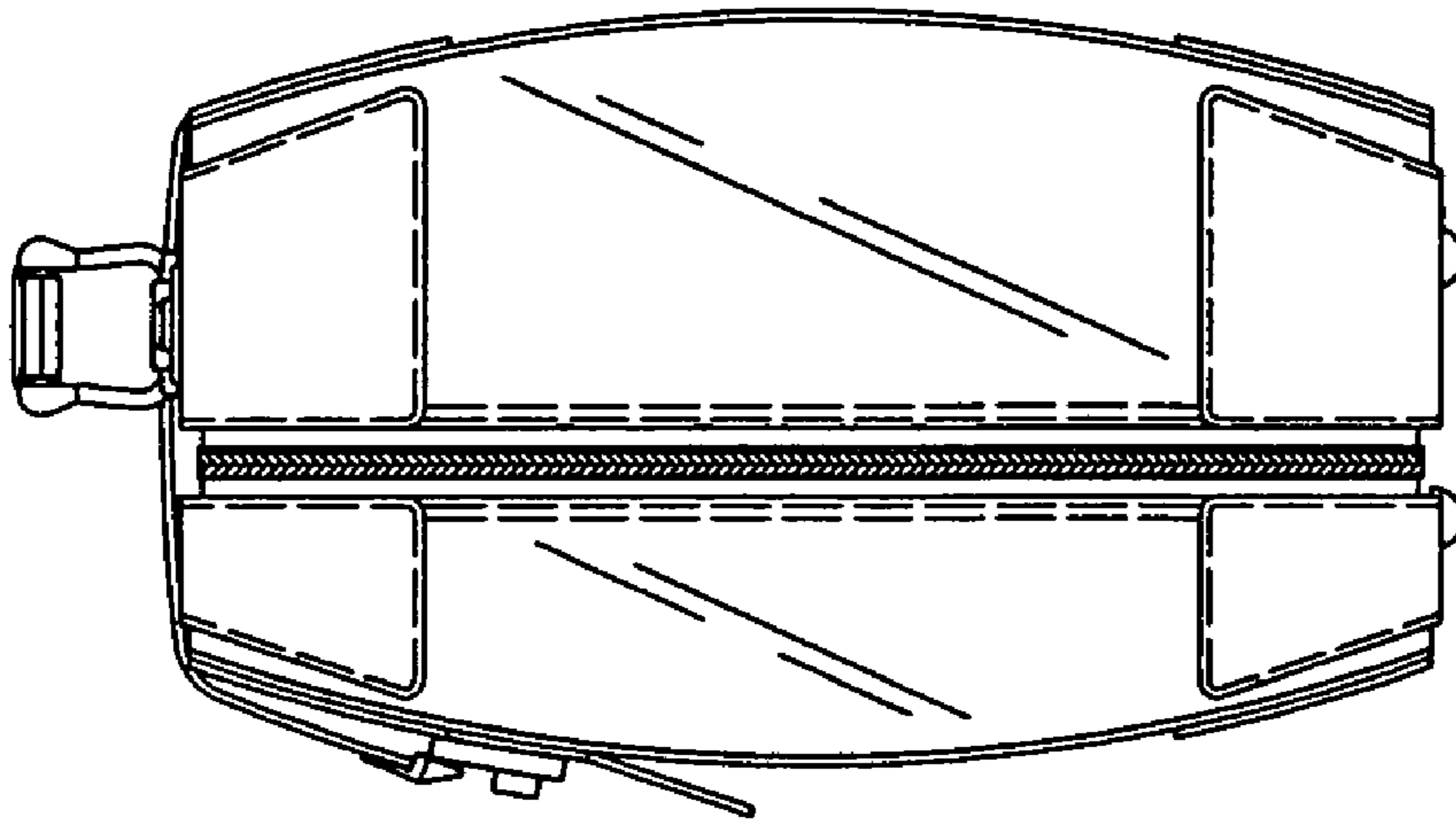


Fig.4

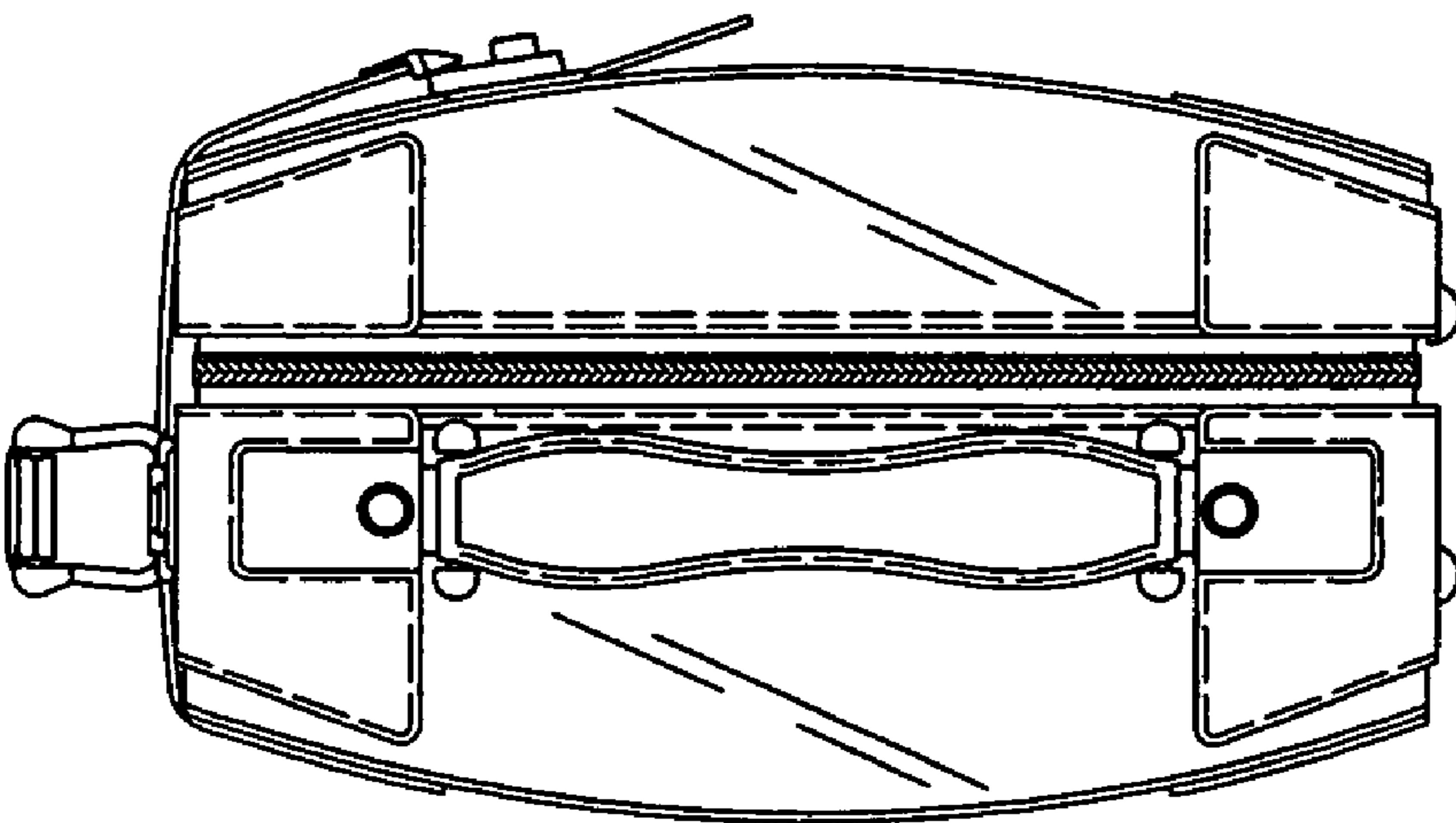


Fig.5

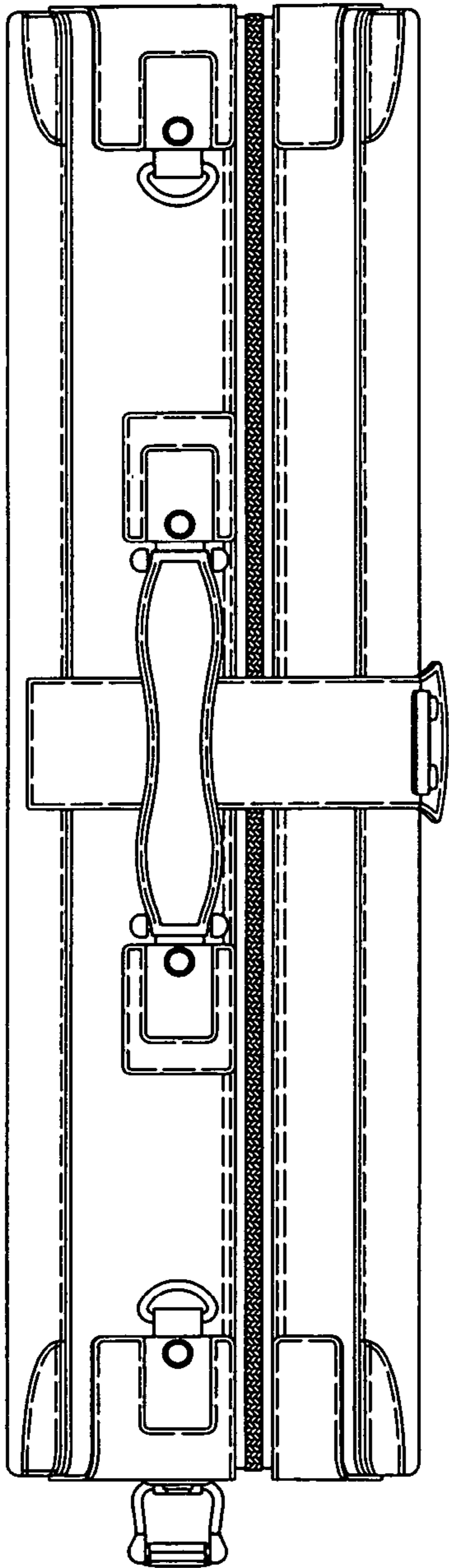


Fig.6

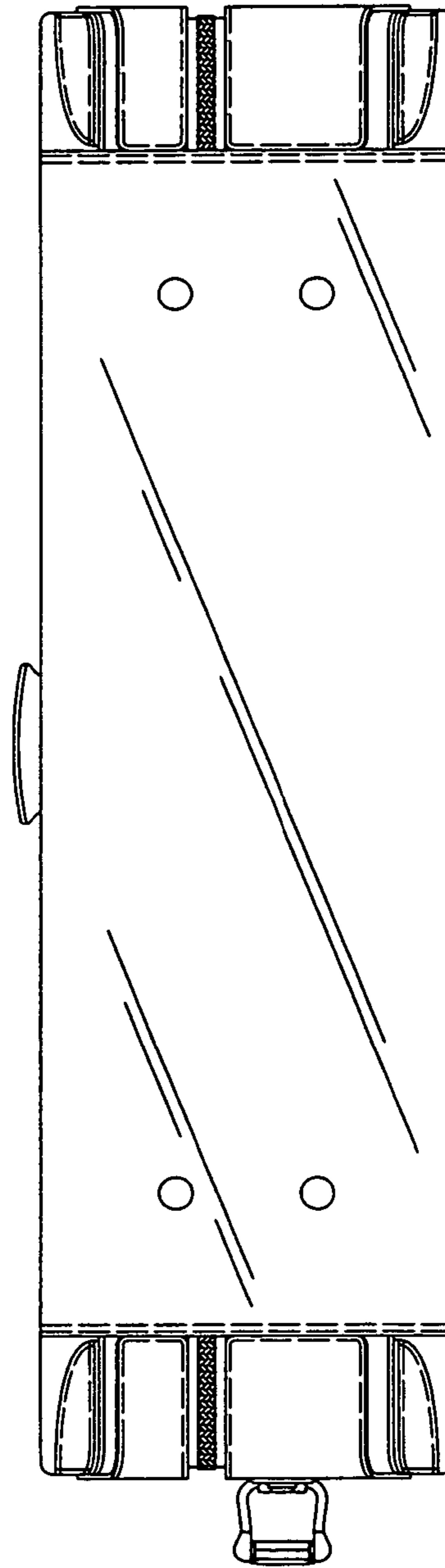


Fig.7

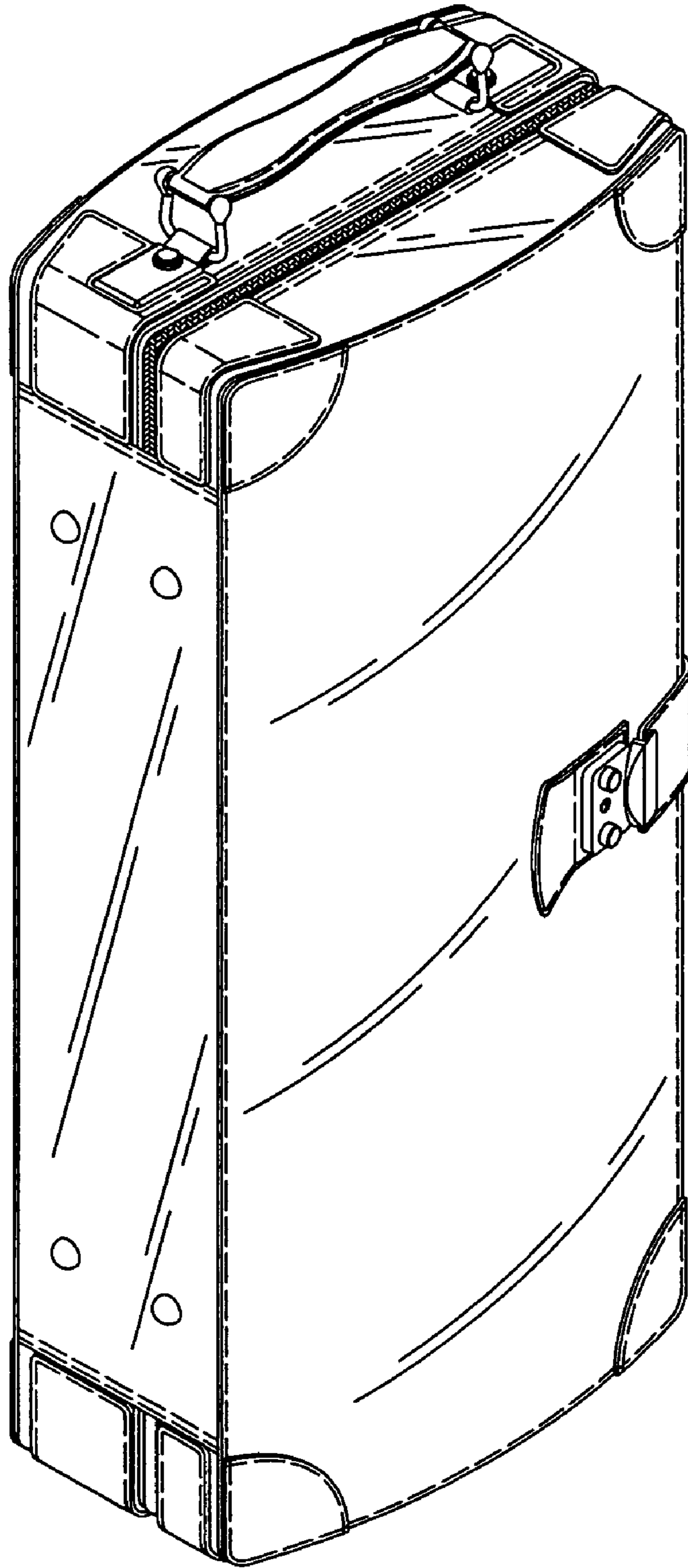


Fig.8