



US00D570096S

(12) **United States Design Patent**
VanderPal

(10) **Patent No.:** **US D570,096 S**
(45) **Date of Patent:** **** Jun. 3, 2008**

(54) **DRUM STICK BAG WITH INTEGRATED PRACTICE PAD**

(57) **CLAIM**

(76) **Inventor:** **Jason A. VanderPal**, 3400 Avenue of the Arts, #E403, Costa Mesa, CA (US) 92626

The ornamental design for a drum stick bag with integrated practice pad, as shown and described.

(**) **Term:** **14 Years**

DESCRIPTION

(21) **Appl. No.:** **29/248,525**

(22) **Filed:** **Aug. 18, 2006**

(51) **LOC (8) Cl.** **03-01**

(52) **U.S. Cl.** **D3/204**

(58) **Field of Classification Search** D3/201, D3/204, 232, 265, 272-273, 276, 294; D17/20, D17/22, 99; 84/453; 190/100, 900; 211/85.6; 224/910; 150/162

See application file for complete search history.

FIG. 1 is a front perspective view of a drum stick bag with integrated practice pad, showing my new design, shown in the closed condition;

FIG. 2 is a front elevational view thereof;

FIG. 3 is a rear elevational view thereof;

FIG. 4 is a left side elevational view thereof;

FIG. 5 is a right side elevational view thereof;

FIG. 6 is a top elevational view thereof;

FIG. 7 is a bottom elevational view thereof;

FIG. 8 is a front and rear elevational view thereof, shown in the open condition;

FIG. 9 is the opposite portion of the front and rear elevational view thereof;

FIG. 10 is a front perspective view thereof, shown in the closed condition;

FIG. 11 is a front elevational view thereof;

FIG. 12 is a rear elevational view thereof; and,

FIG. 13 is a front and rear elevational view thereof, shown in the open condition.

The broken lines shown in the drawings are for illustrative purposes only and form no part of the claimed design.

(56) **References Cited**

U.S. PATENT DOCUMENTS

D125,522 S *	2/1941	Nathan	D3/226
D414,033 S *	9/1999	Rohm	D3/249
D430,393 S *	9/2000	Conway	D3/203.3
D464,987 S *	10/2002	Edwards et al.	D17/22
D464,988 S *	10/2002	Edwards et al.	D17/22
D500,923 S *	1/2005	Gonzalez et al.	D3/301
D518,954 S *	4/2006	Wald	D3/273
D542,524 S *	5/2007	Richardson et al.	D3/218
D552,348 S *	10/2007	Martin	D3/265

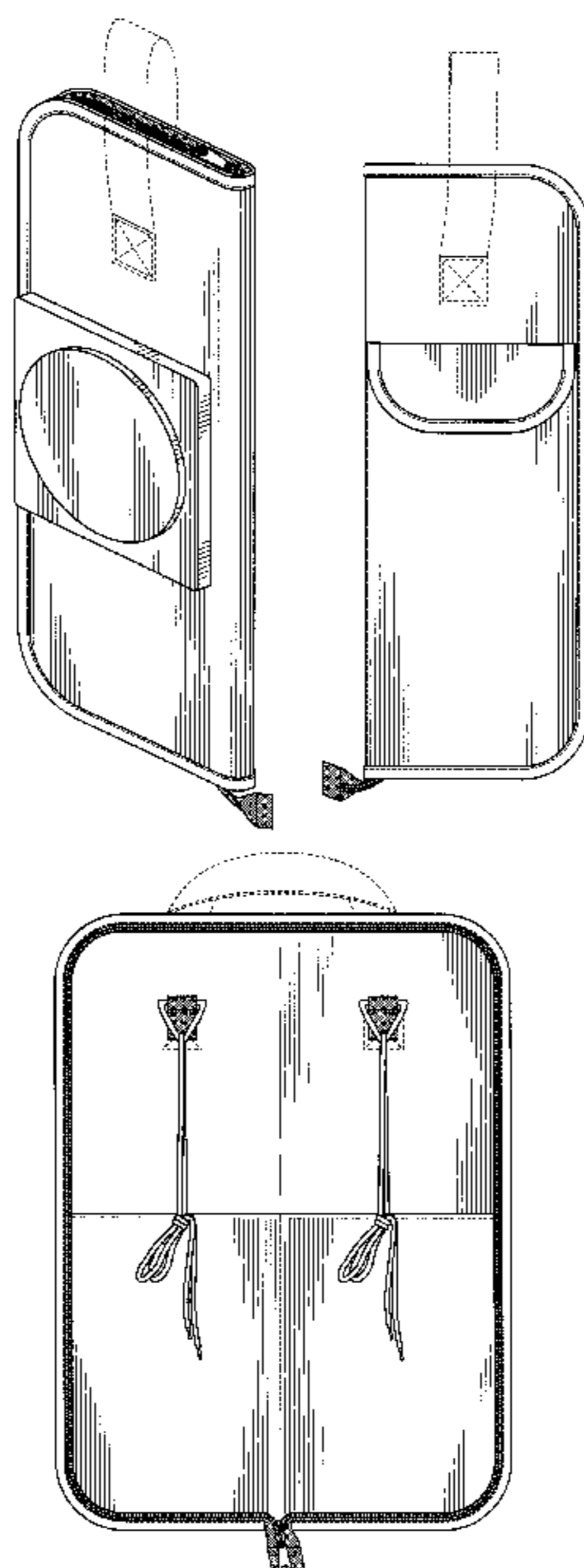
* cited by examiner

Primary Examiner—Ian Simmons

Assistant Examiner—Anna J Burmeister

(74) *Attorney, Agent, or Firm*—David W. Carstens; Carstens & Cahoon, LLP

1 Claim, 9 Drawing Sheets



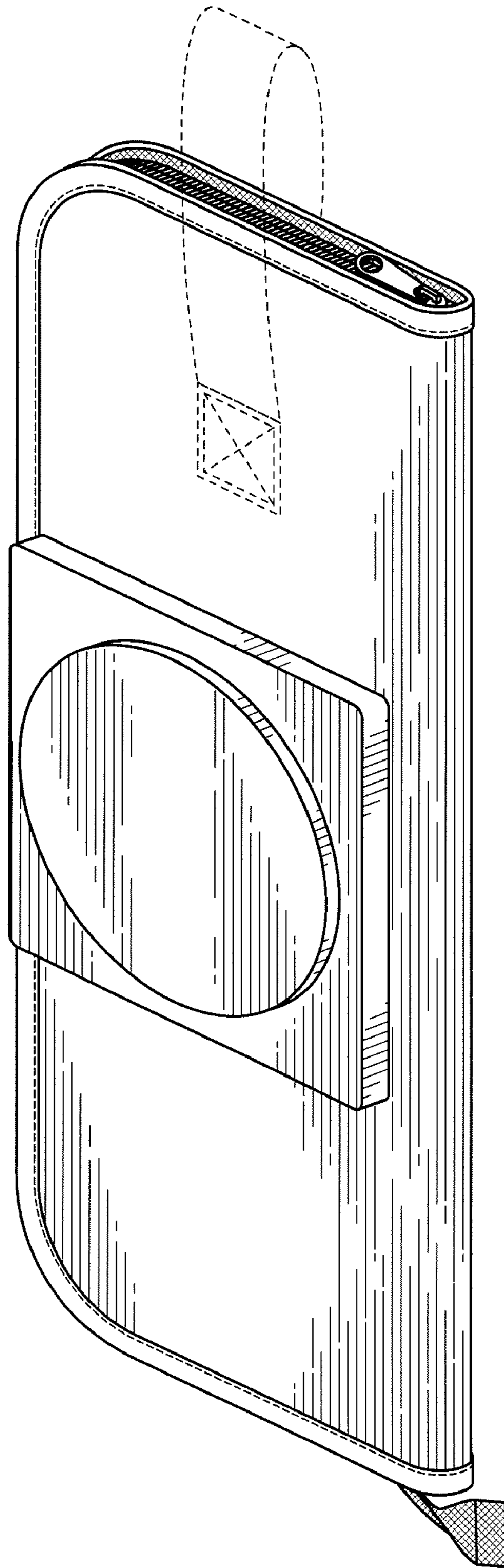


FIG. 1

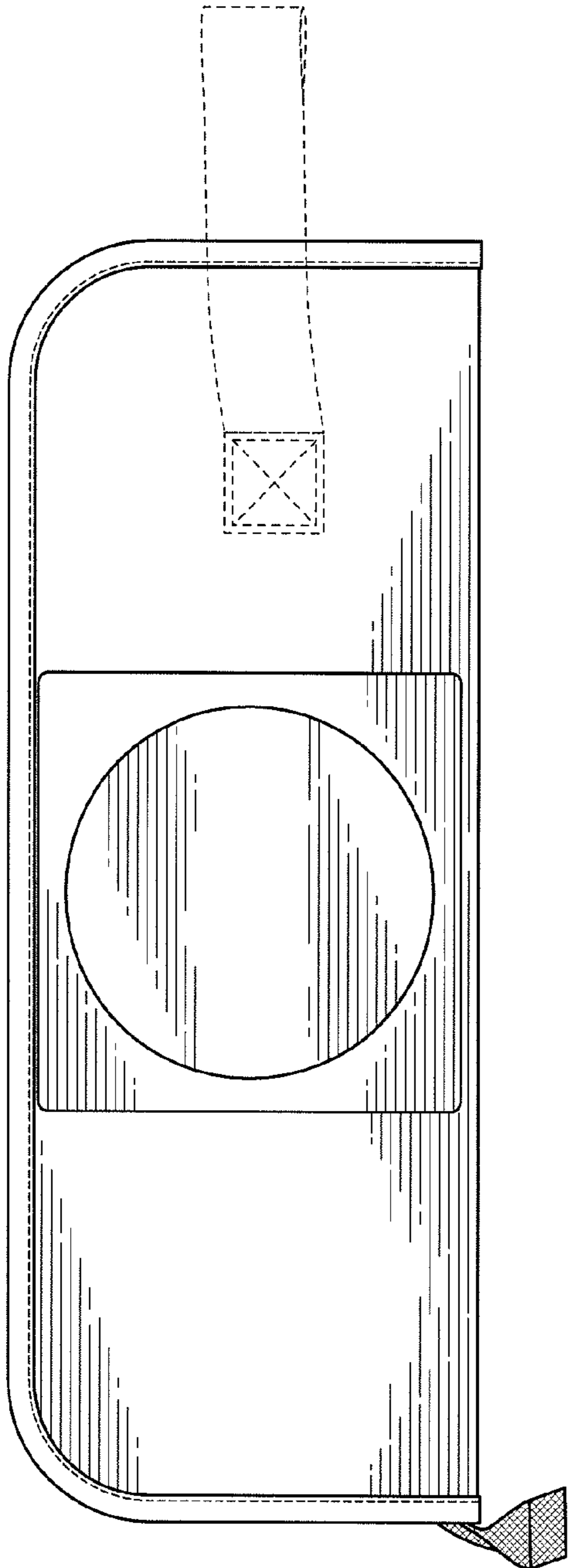


FIG. 2

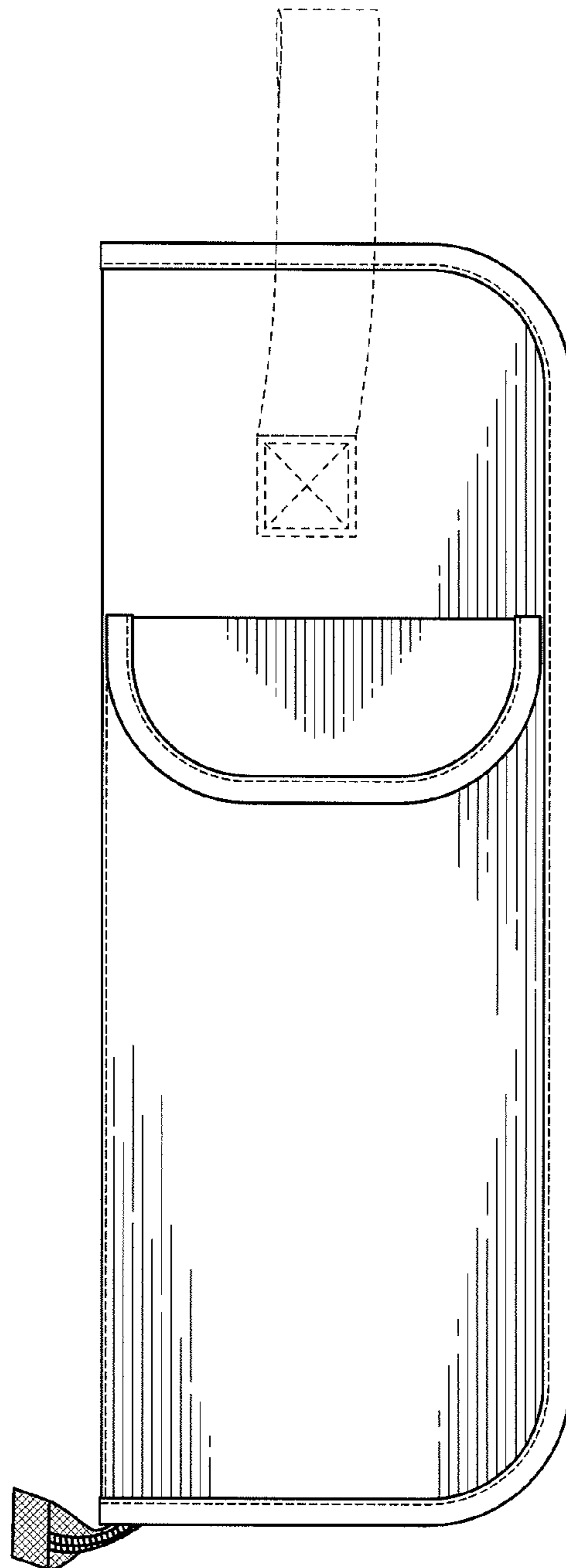


FIG. 3

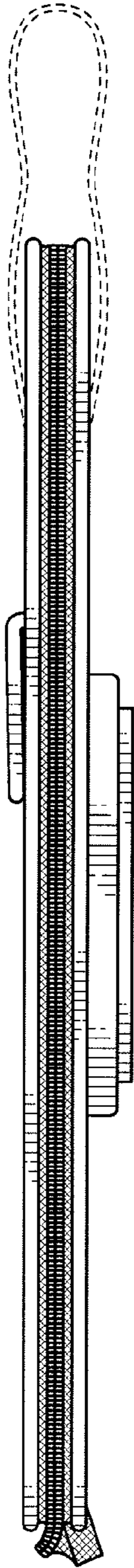


FIG. 4

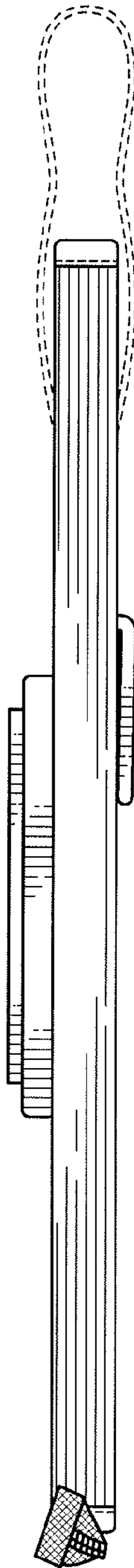


FIG. 5

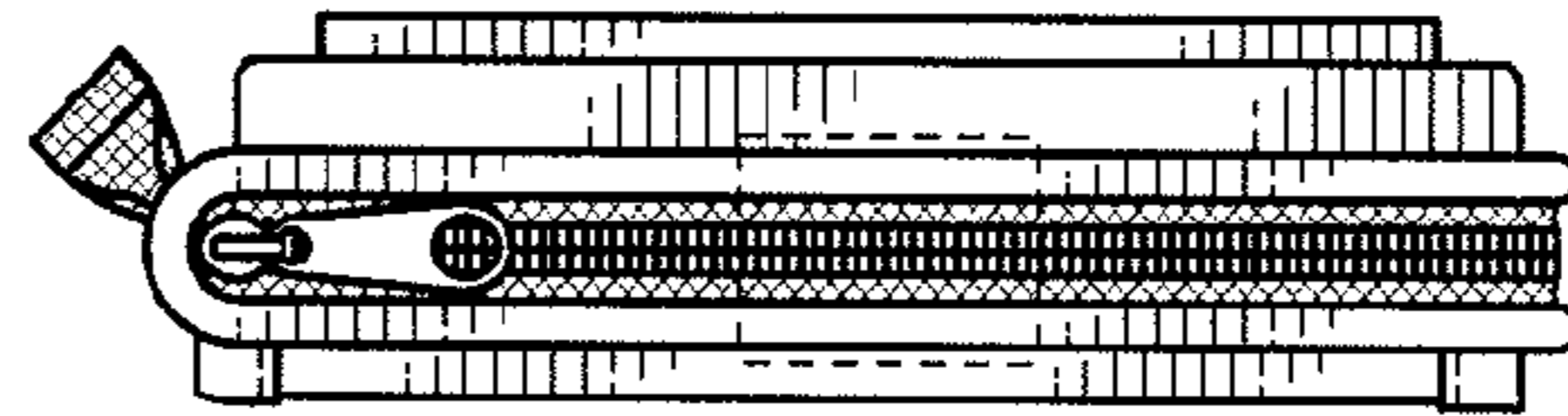


FIG. 6

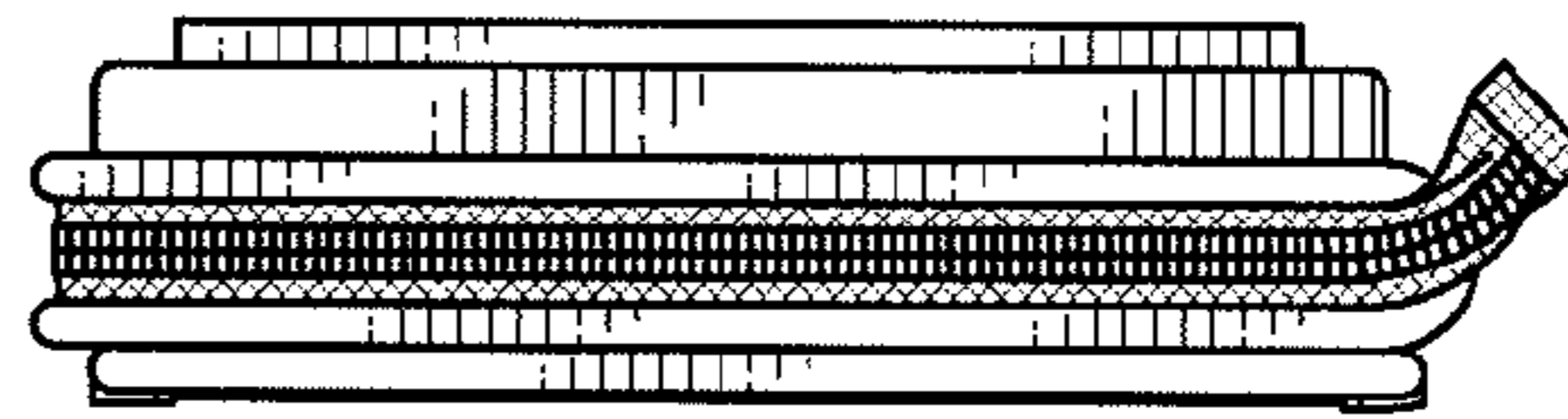


FIG. 7

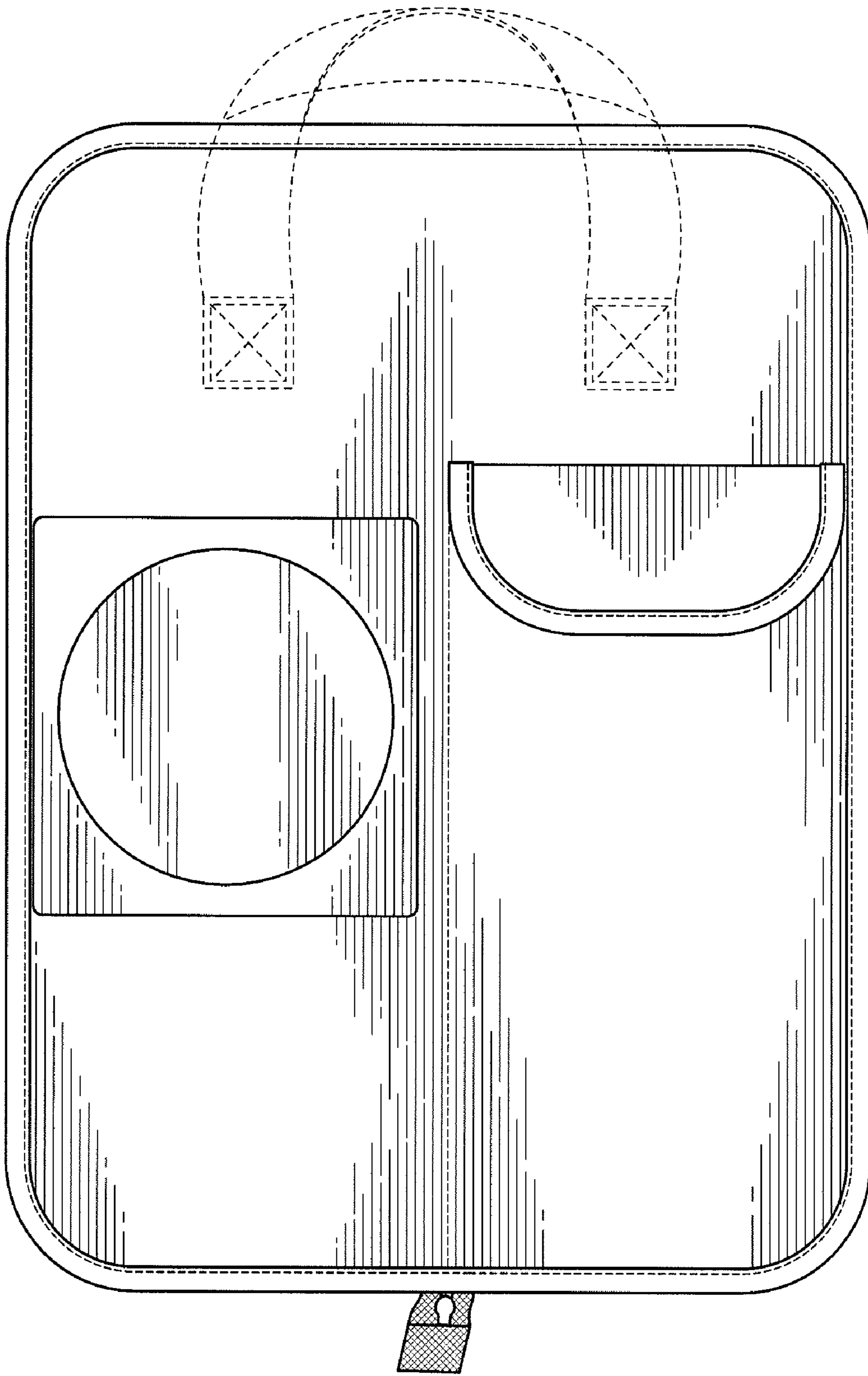


FIG. 8

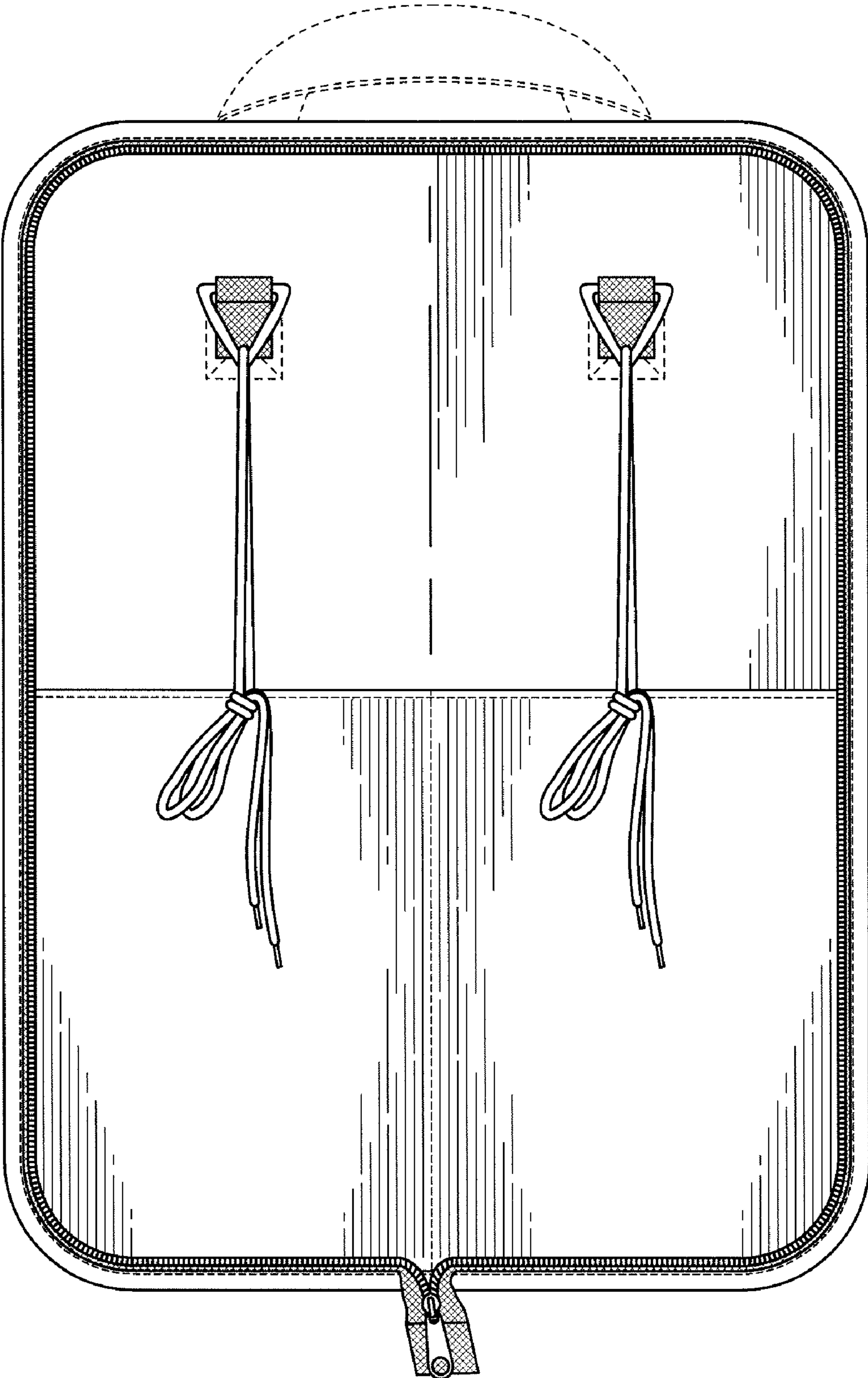


FIG. 9

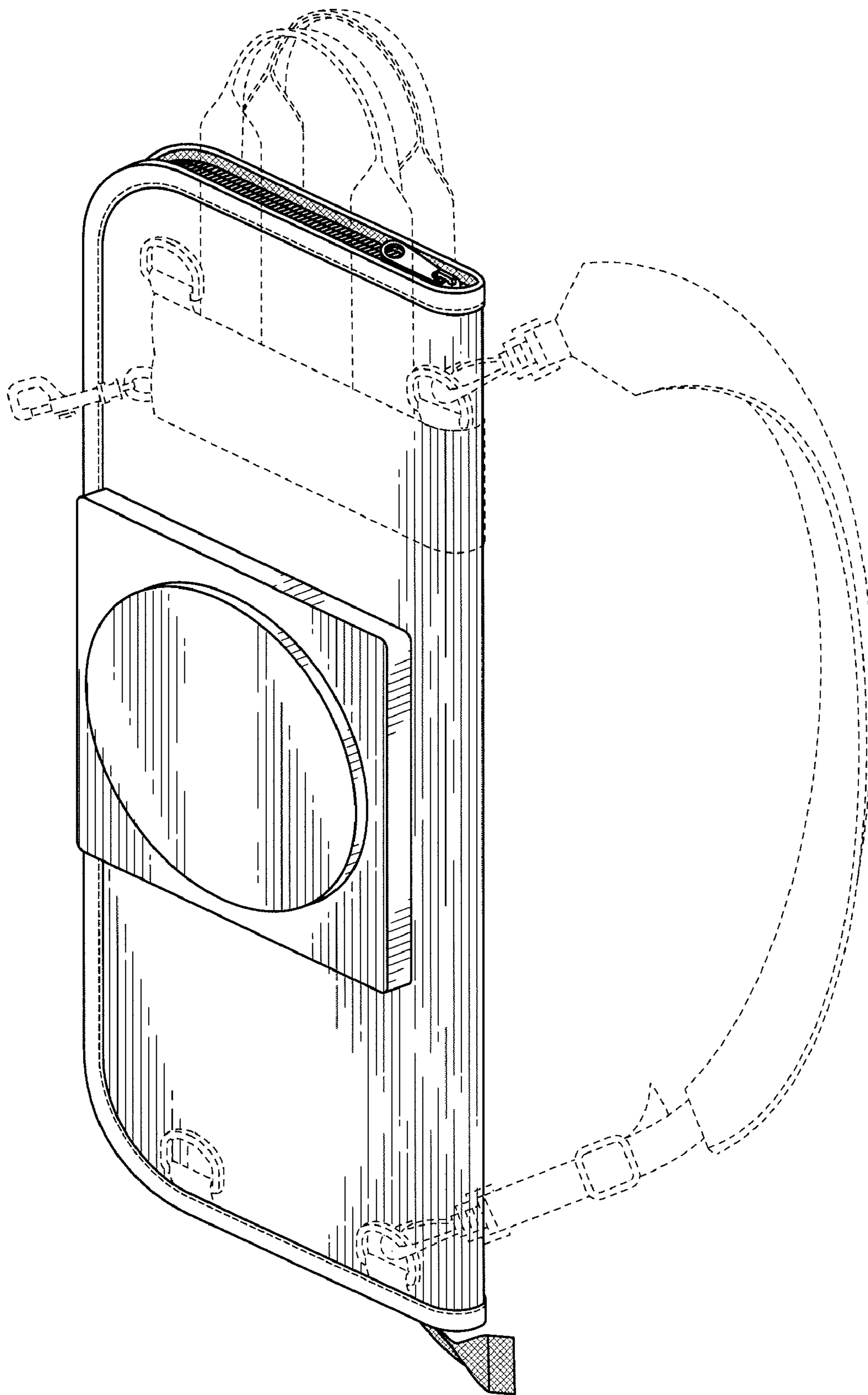


FIG. 10

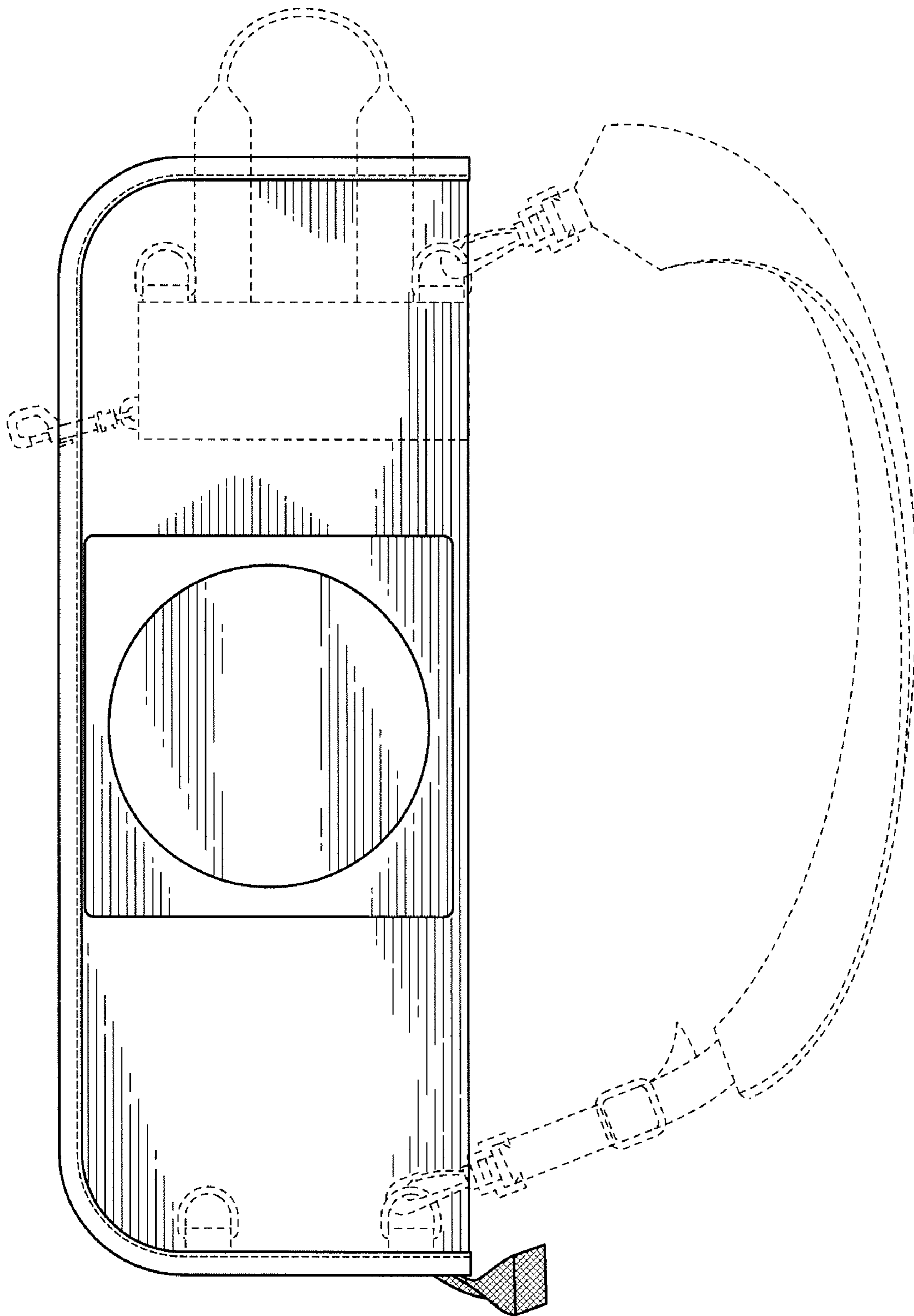


FIG. 11

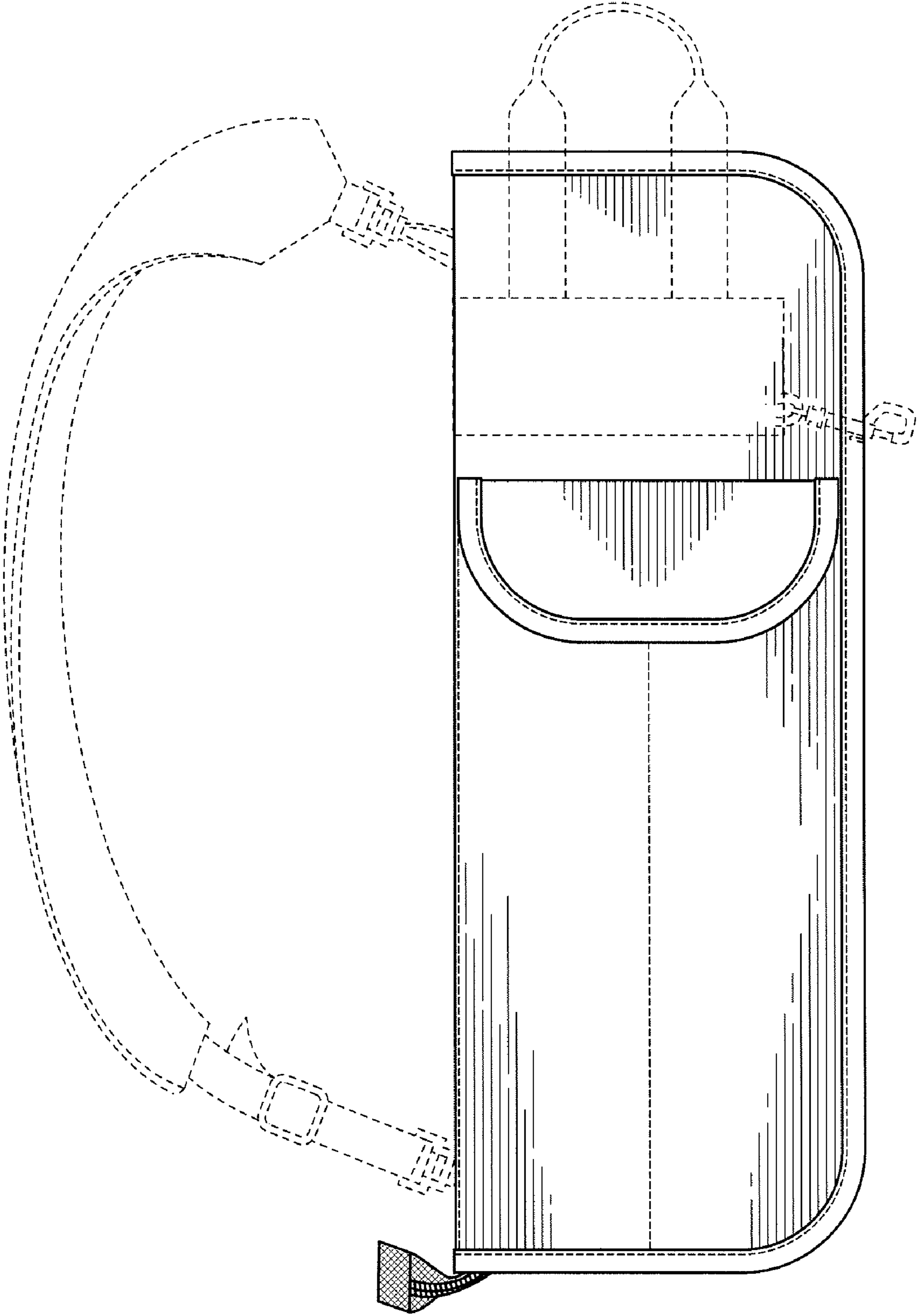


FIG. 12

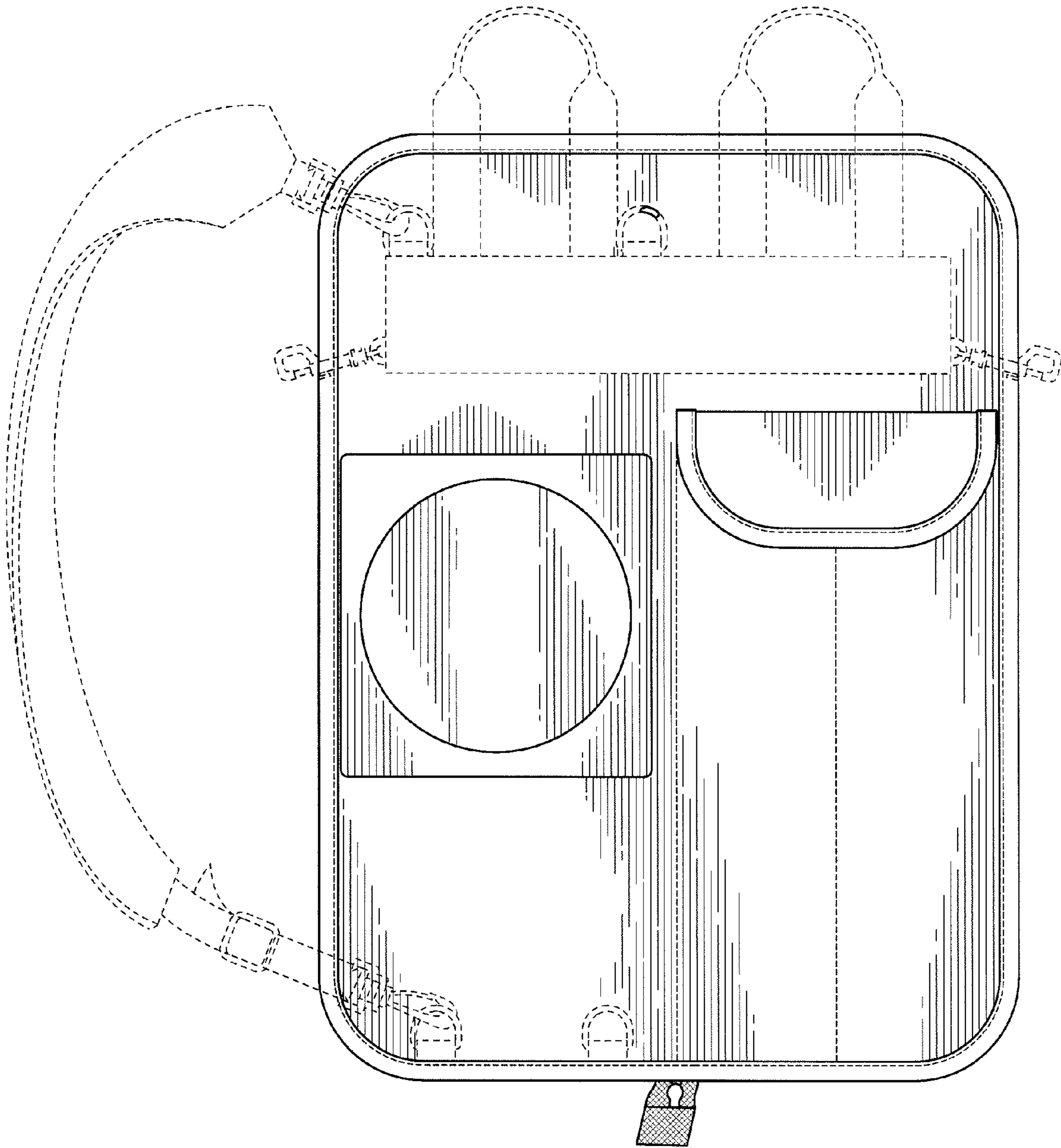


FIG. 13