

US00D570094S

(12) **United States Design Patent**
Wainwright

(10) **Patent No.:** **US D570,094 S**

(45) **Date of Patent:** **** Jun. 3, 2008**

(54) **CANE TIP**

(76) **Inventor:** **David Brian Wainwright**, 1205 S.
Lake Dr., Lantana, FL (US) 33462

(**) **Term:** **14 Years**

(21) **Appl. No.:** **29/274,808**

(22) **Filed:** **May 29, 2007**

(51) **LOC (8) Cl.** **03-03**

(52) **U.S. Cl.** **D3/17**

(58) **Field of Classification Search** D3/5-17;
135/65-76, 77-86; D6/495

See application file for complete search history.

(56) **References Cited**

U.S. PATENT DOCUMENTS

D81,900	S	*	8/1930	Wesley	D3/17
2,910,995	A	*	11/1959	Jacuzzi	135/77
3,251,372	A	*	5/1966	Smith	135/86
4,630,626	A	*	12/1986	Urban	135/84
5,307,828	A		5/1994	Gardner et al.		
D362,336	S	*	9/1995	Weaver	D3/17
5,711,335	A	*	1/1998	Carpinella	135/77
5,826,606	A		10/1998	Davenport		
D417,070	S	*	11/1999	Wylter	D3/17

6,003,533	A		12/1999	Midcap		
6,055,998	A	*	5/2000	Bader	135/69
6,131,593	A		10/2000	Greene et al.		
6,527,001	B1		3/2003	Saldan et al.		
D476,803	S	*	7/2003	Margolis	D3/17
6,877,520	B2		4/2005	Morris		
D511,889	S	*	11/2005	Cockrell	D3/17
2006/0124163	A1	*	6/2006	Tu	135/79

* cited by examiner

Primary Examiner—Louis S Zarfaz

Assistant Examiner—Anhdao Doan

(57) **CLAIM**

The ornamental design for a cane tip, as shown and described.

DESCRIPTION

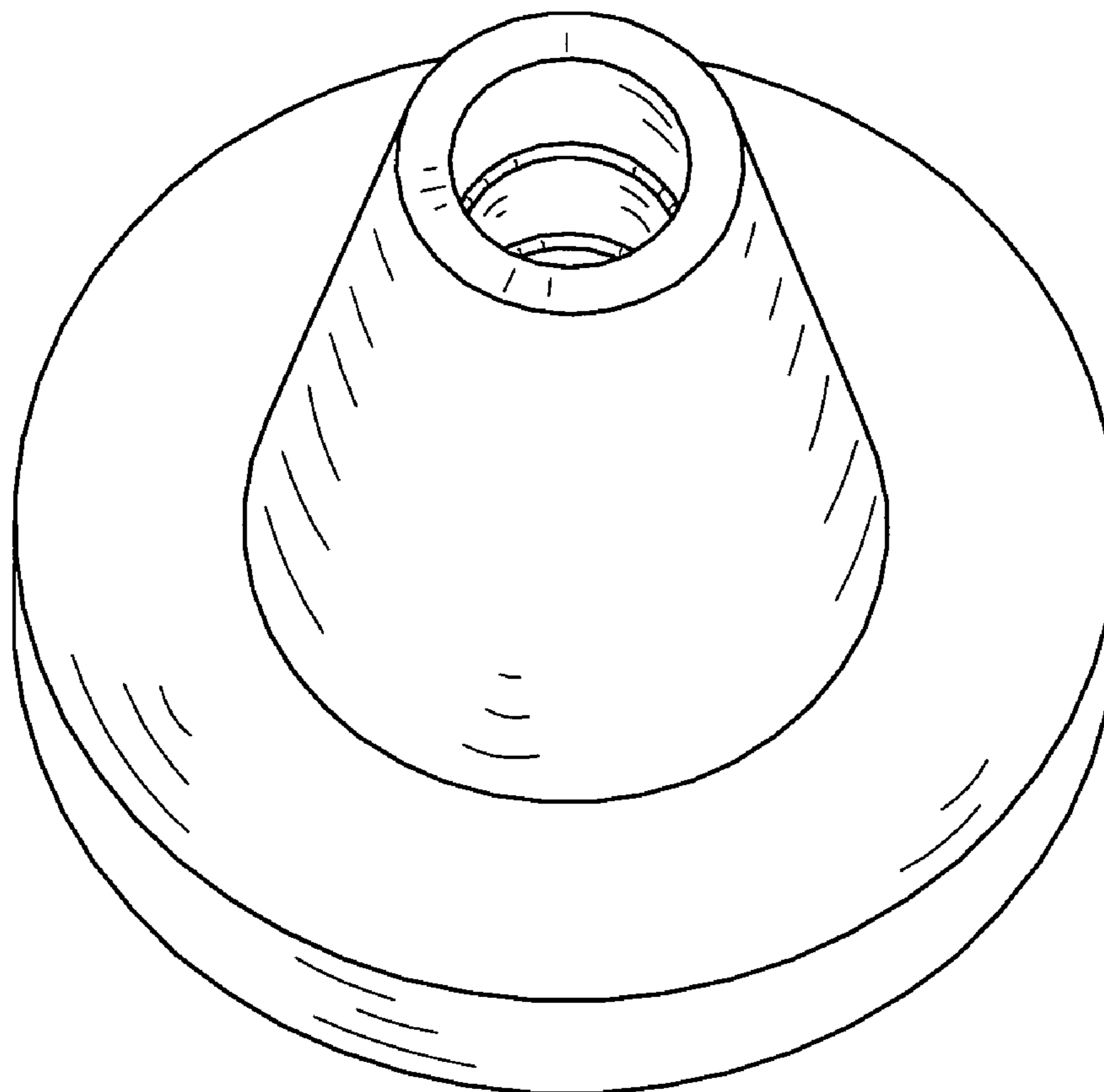
FIG. 1 is a top perspective view of a cane tip showing my new design;

FIG. 2 is a front elevational view thereof; the rear and side elevational views are identical thereof;

FIG. 3 is a top plan view thereof; and,

FIG. 4 is a bottom plan view thereof.

1 Claim, 2 Drawing Sheets



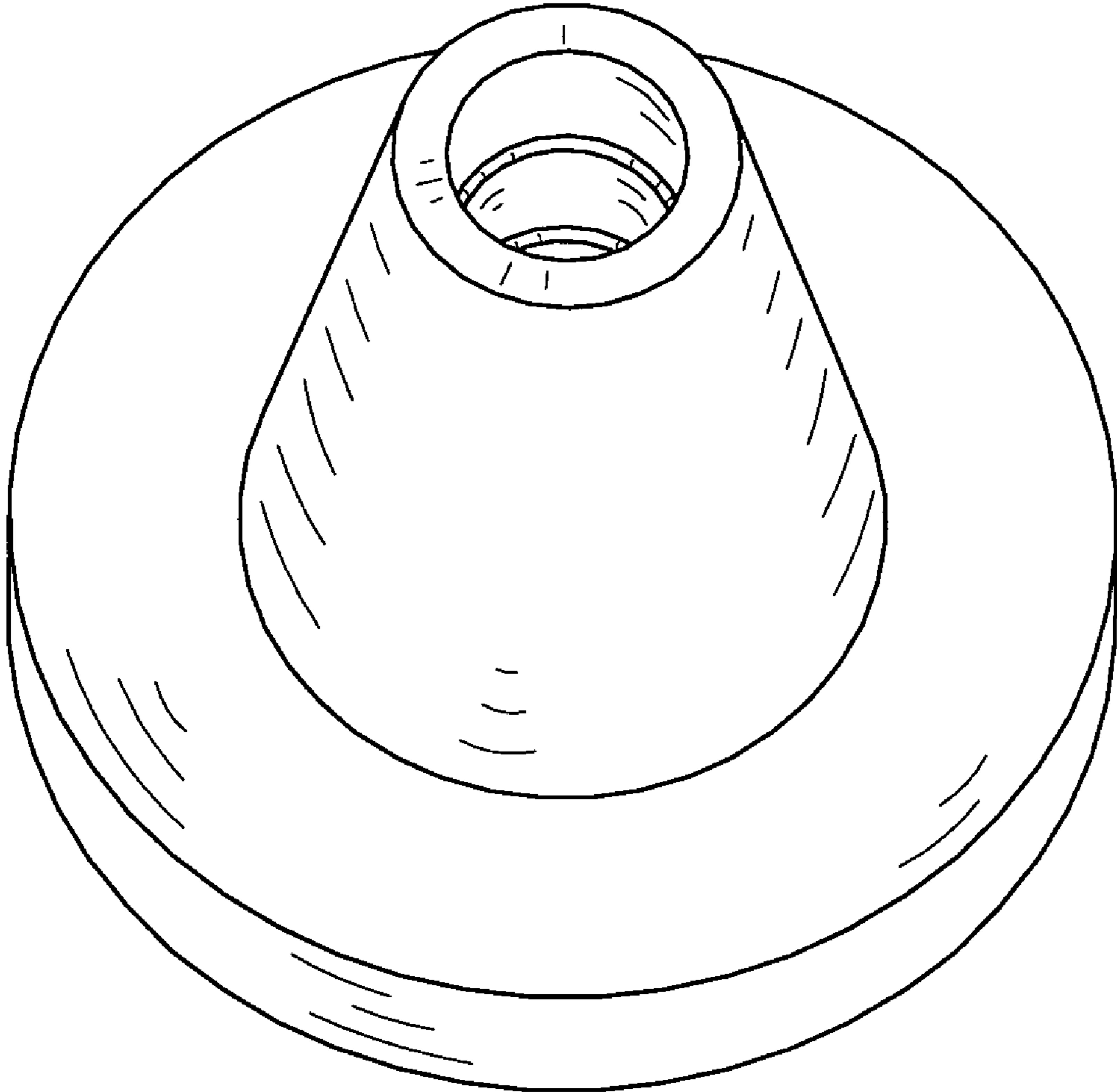


FIG.1

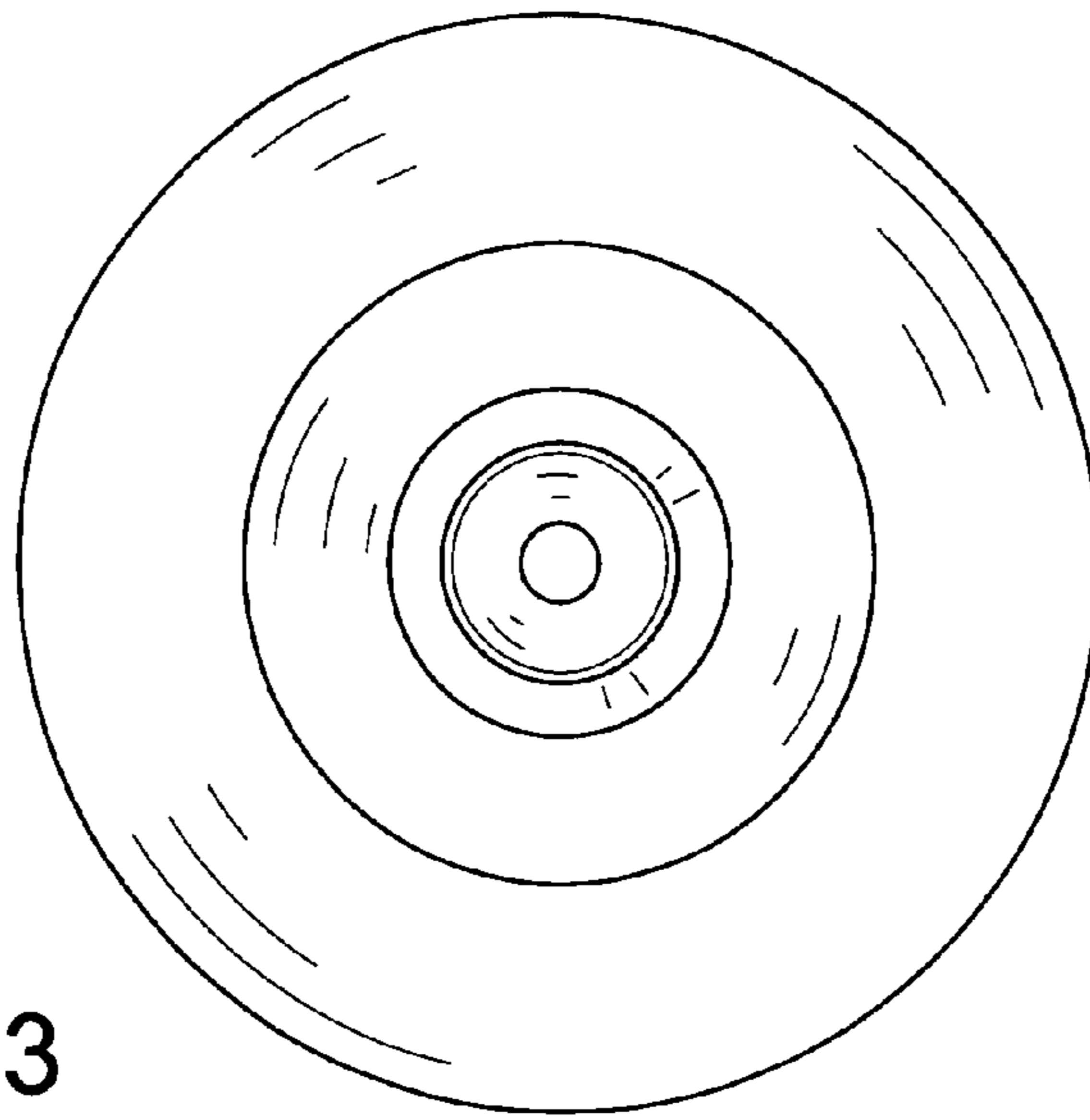


FIG. 3

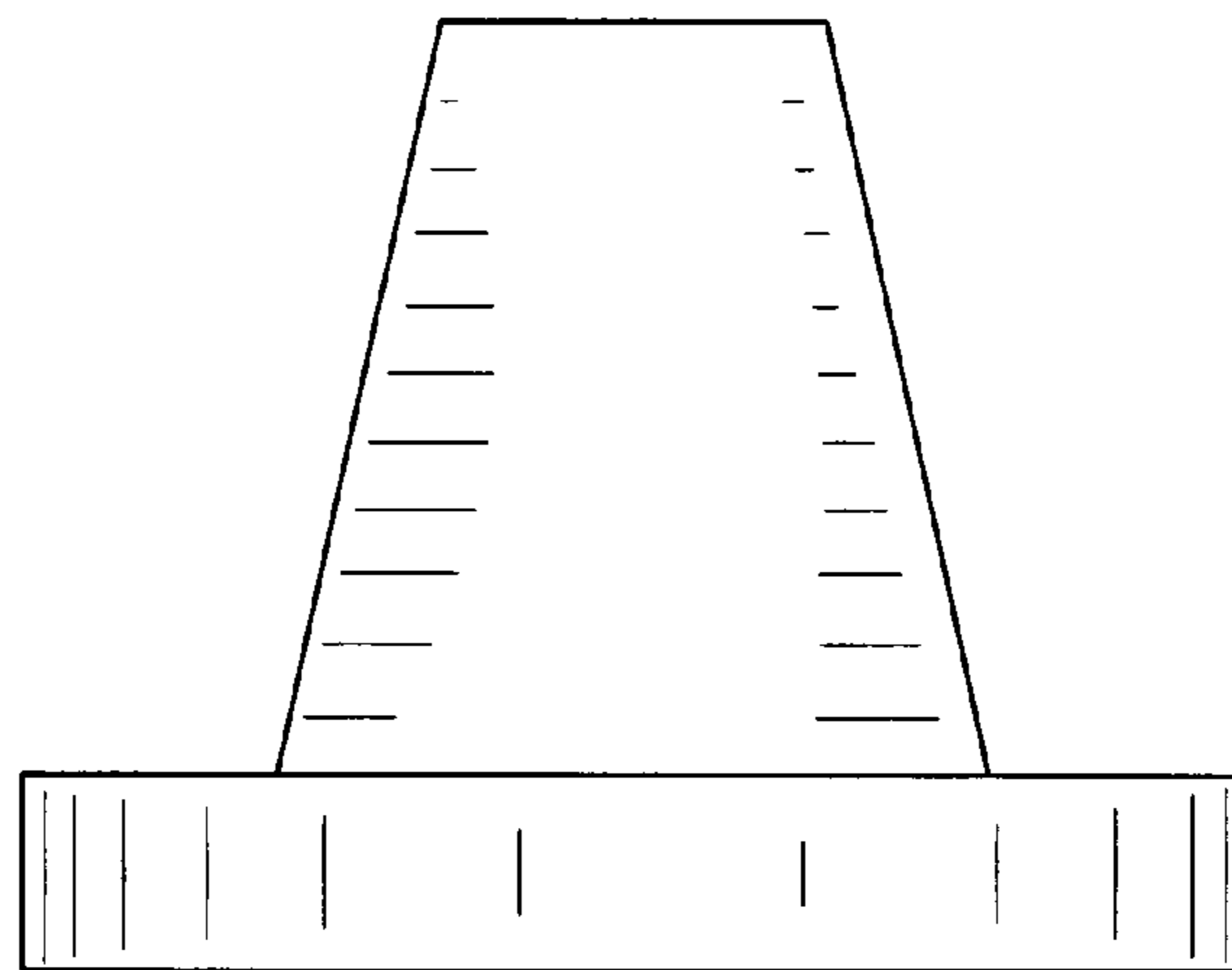


FIG. 2

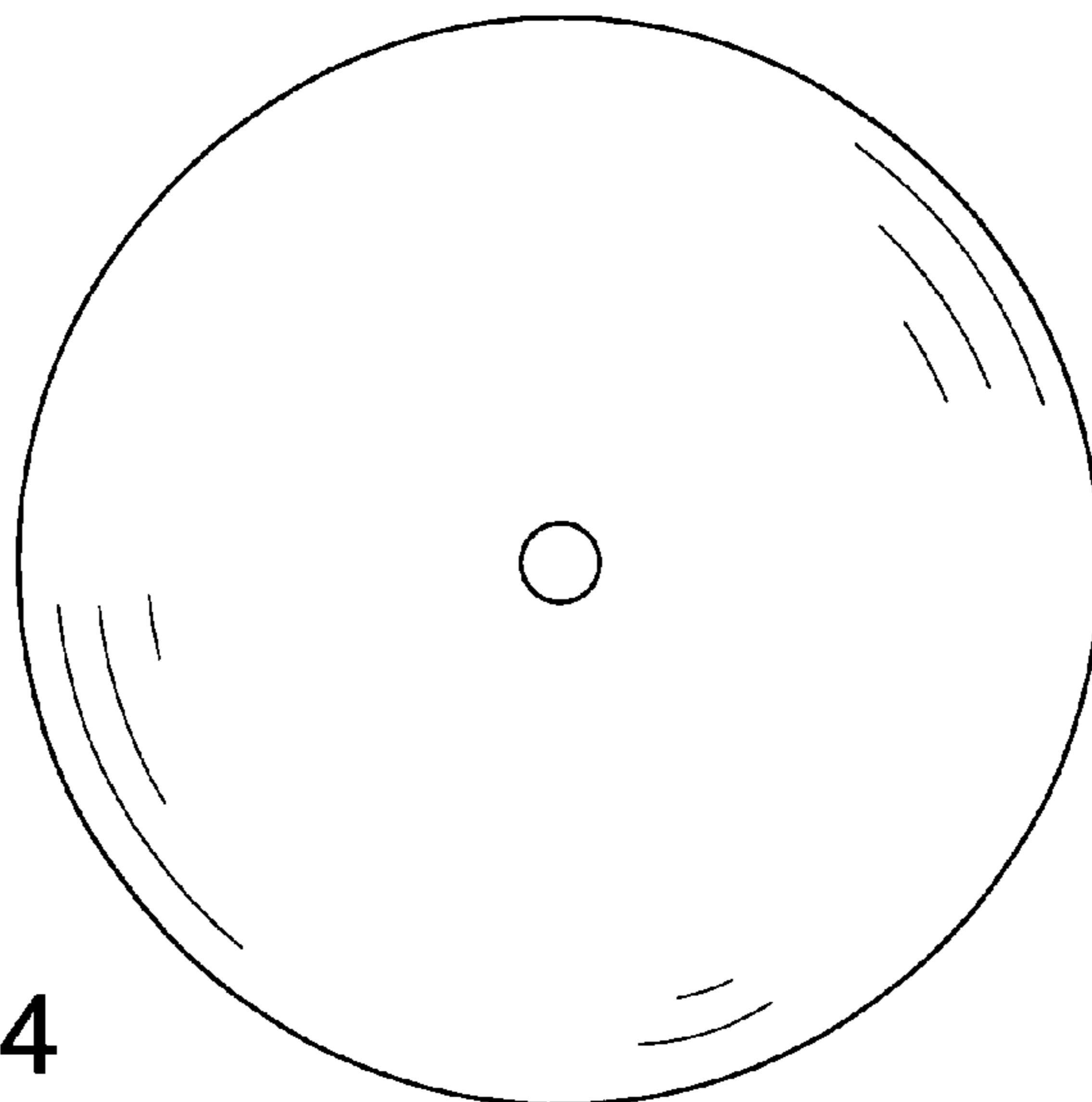


FIG. 4