



US00D570074S

(12) **United States Design Patent**
Osiecki et al.

(10) **Patent No.:** **US D570,074 S**
(45) **Date of Patent:** **** May 27, 2008**

(54) **FIRE-RESISTANT SAFE**

DESCRIPTION

- (75) Inventors: **Scott W. Osiecki**, Skaneateles, NY (US); **Donwoong Kang**, Syracuse, NY (US)
- (73) Assignee: **John D. Brush & Co., Inc.**, Rochester, NY (US)
- (**) Term: **14 Years**
- (21) Appl. No.: **29/283,703**
- (22) Filed: **Aug. 21, 2007**
- (51) **LOC (8) Cl.** **06-04**
- (52) **U.S. Cl.** **D99/28**
- (58) **Field of Classification Search** D99/28,
D99/34-43, 99; D18/3.1-3.3; D14/385,
D14/448, 173, 307, 901, 146, 144, 151; 235/375-381,
235/100; 705/35, 43; 109/2, 24.1, 50, 53,
109/66, 83; 106/644; 52/659, 73; 902/8,
902/9, 21, 30; 340/5.41; 348/150; D20/1,
D20/2; D25/16; 361/681, 683, 686, 687,
361/694; D6/573, 634; D3/201, 291, 294,
D3/276, 273; 194/202, 379, 381; 206/8,
206/815

See application file for complete search history.

(56) **References Cited**

U.S. PATENT DOCUMENTS

- D3,814 S * 1/1870 McFarland D99/28
- D11,158 S * 4/1879 Field D3/291

(Continued)

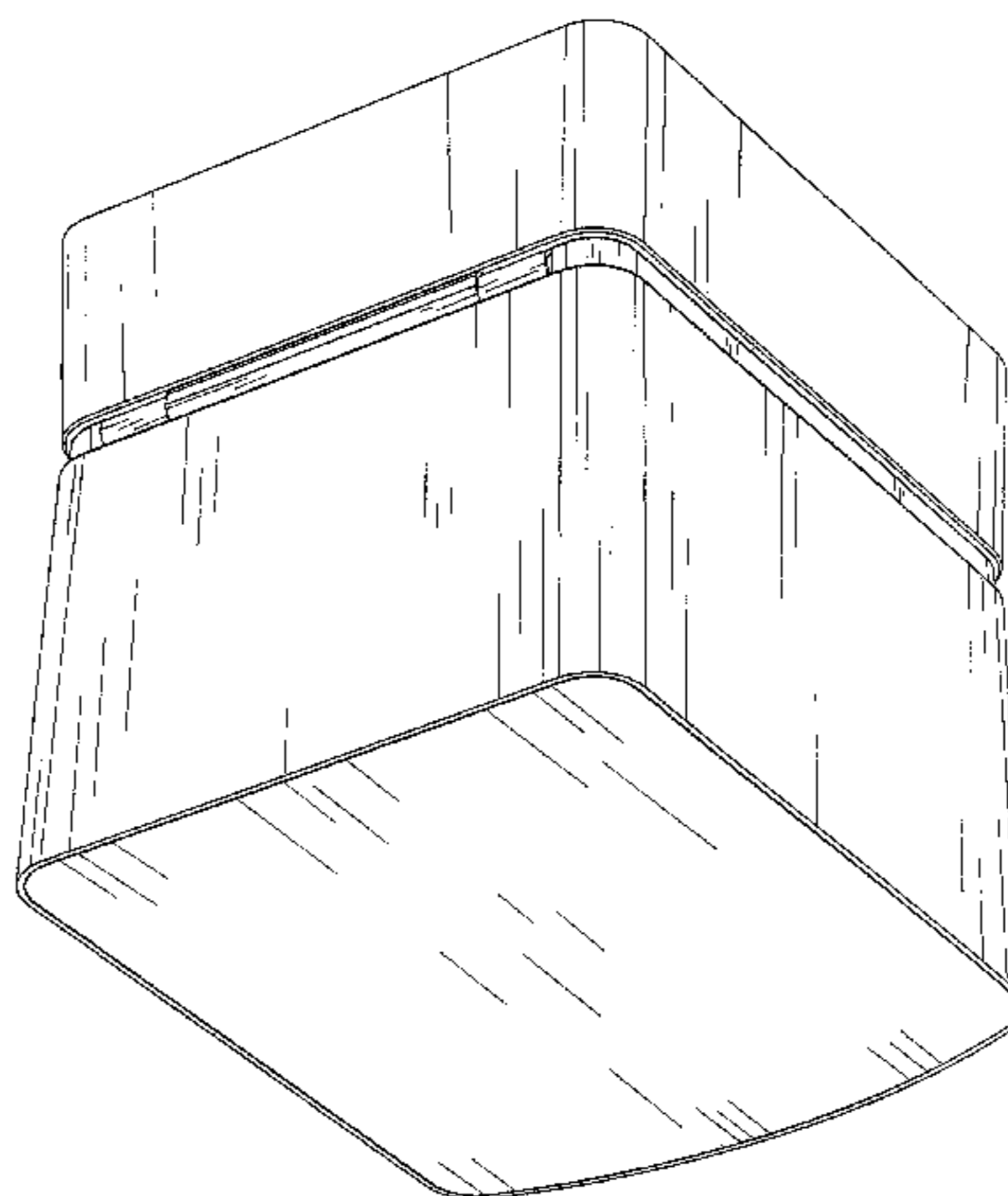
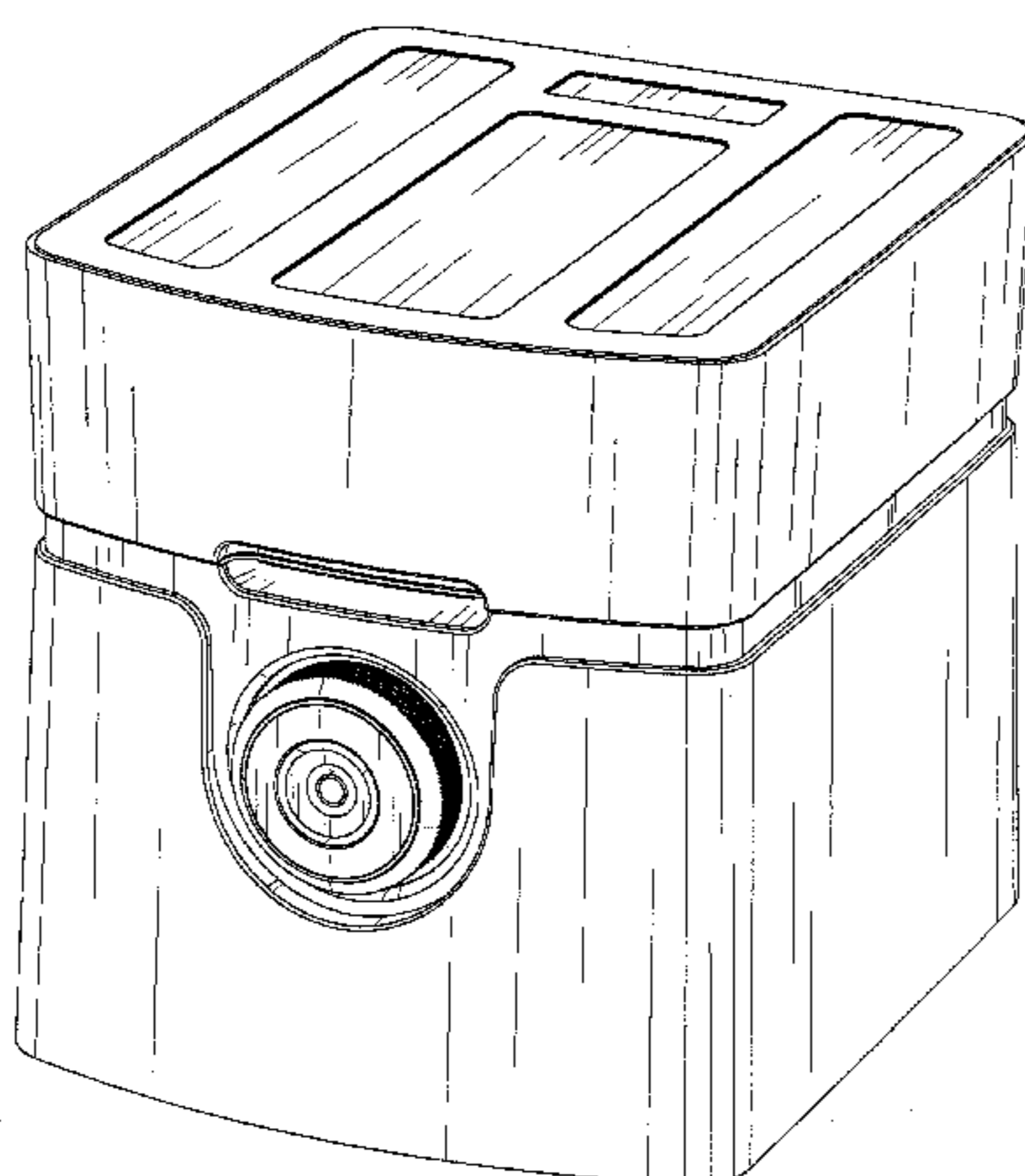
Primary Examiner—Robert M. Spear
Assistant Examiner—Susan E Krakower
 (74) *Attorney, Agent, or Firm*—Jaeckle Fleischmann & Mugel, LLP

(57) **CLAIM**

The ornamental design for a fire-resistant safe, as shown and described.

- FIG. 1 is a right front perspective view of a first embodiment of an ornamental design for a fire-resistant safe according to the present invention;
- FIG. 2 is a front view of the fire-resistant safe shown in FIG. 1;
- FIG. 3 is a left side view of the fire-resistant safe shown in FIG. 1;
- FIG. 4 is a right side view of the fire-resistant safe shown in FIG. 1;
- FIG. 5 is a top view of the fire-resistant safe shown in FIG. 1;
- FIG. 6 is a bottom view of the fire-resistant safe shown in FIG. 1;
- FIG. 7 is a rear view of the fire-resistant safe shown in FIG. 1;
- FIG. 8 is a left rear perspective view of the fire-resistant safe shown in FIG. 1;
- FIG. 9 is a right front perspective view of a second embodiment of an ornamental design for a fire-resistant safe according to the present invention;
- FIG. 10 is a front view of the fire-resistant safe shown in FIG. 9;
- FIG. 11 is a left side view of the fire-resistant safe shown in FIG. 9;
- FIG. 12 is a right side view of the fire-resistant safe shown in FIG. 9;
- FIG. 13 is a top view of the fire-resistant safe shown in FIG. 9;
- FIG. 14 is a bottom view of the fire-resistant safe shown in FIG. 9;
- FIG. 15 is a rear view of the fire-resistant safe shown in FIG. 9; and,
- FIG. 16 is a left rear perspective view of the fire-resistant safe shown in FIG. 9.

1 Claim, 16 Drawing Sheets



US D570,074 S

Page 2

U.S. PATENT DOCUMENTS

D93,372 S *	9/1934	Zacher	D20/1	D335,378 S *	5/1993	Mariol	D99/28
D121,362 S *	7/1940	Binks	D99/28	5,377,514 A *	1/1995	Robbins et al.	70/452
D268,063 S *	2/1983	Chase	D99/28	D356,891 S *	4/1995	Hobson	D3/294
D281,921 S *	12/1985	Losi	D99/28	D372,360 S *	8/1996	Burns et al.	D3/273
D289,582 S *	5/1987	Brush et al.	D3/281	D445,234 S *	7/2001	Isaacs et al.	D99/28
D291,139 S *	7/1987	Warwicker	D99/28	D446,011 S *	8/2001	Ogilvie et al.	D3/273
D293,279 S *	12/1987	Evans	D6/634	D474,596 S *	5/2003	Osiecki et al.	D3/273
D302,491 S *	8/1989	Brush et al.	D3/294	D489,158 S *	4/2004	Magee et al.	D99/28
5,069,358 A *	12/1991	Avery, Jr.	220/560.01	D528,735 S *	9/2006	Osiecki et al.	D99/43

* cited by examiner

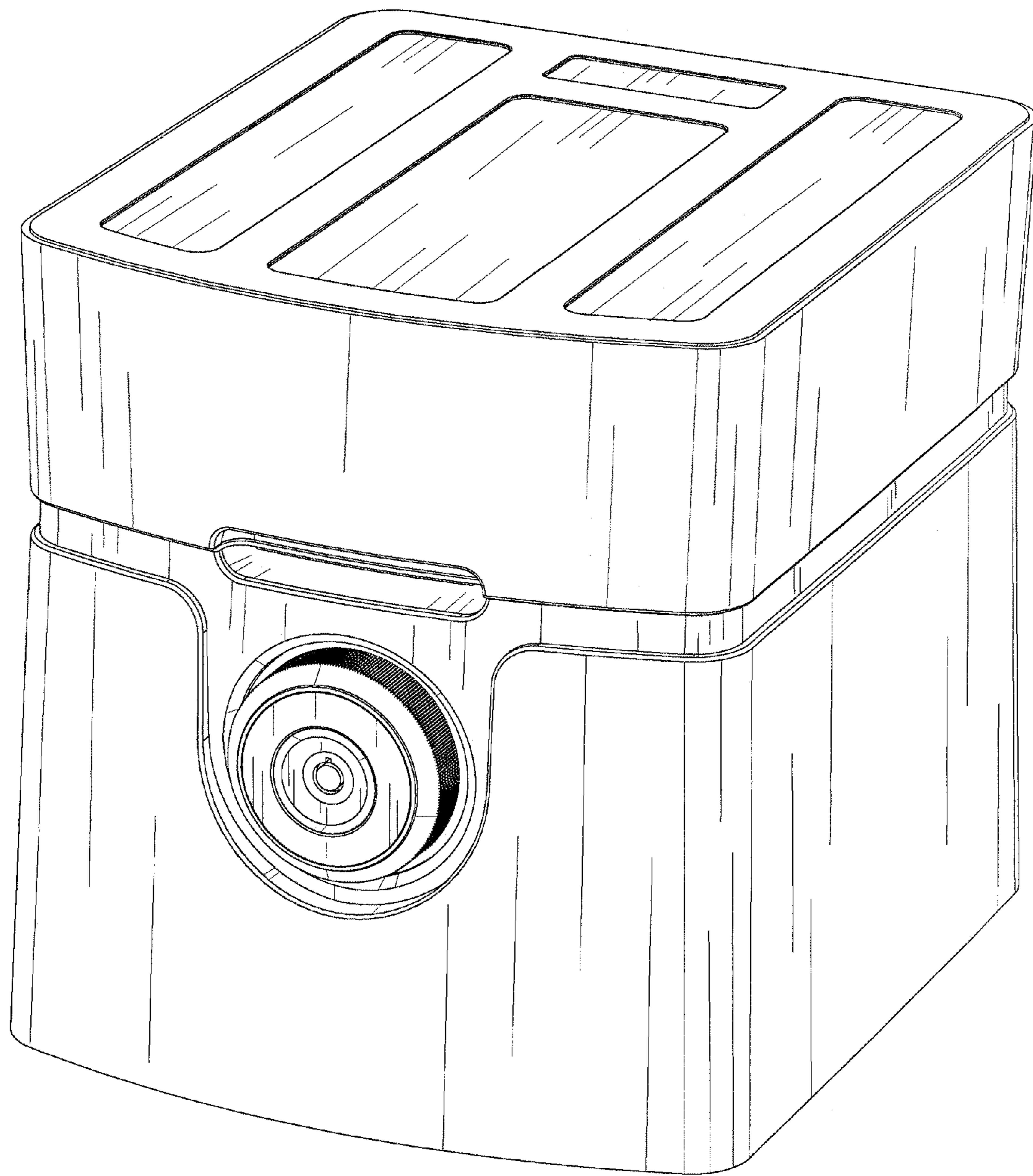


FIG. 1

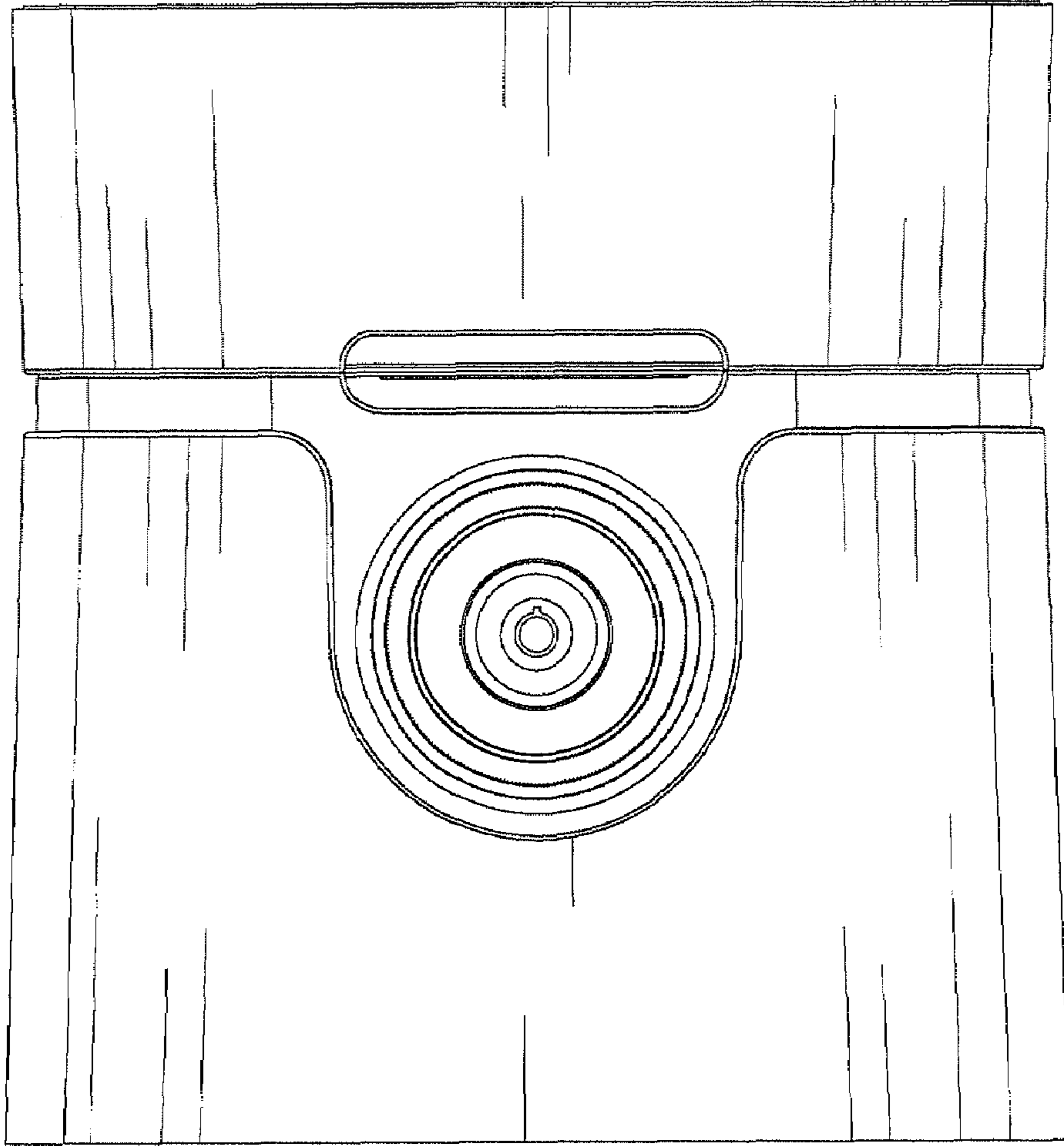


FIG. 2

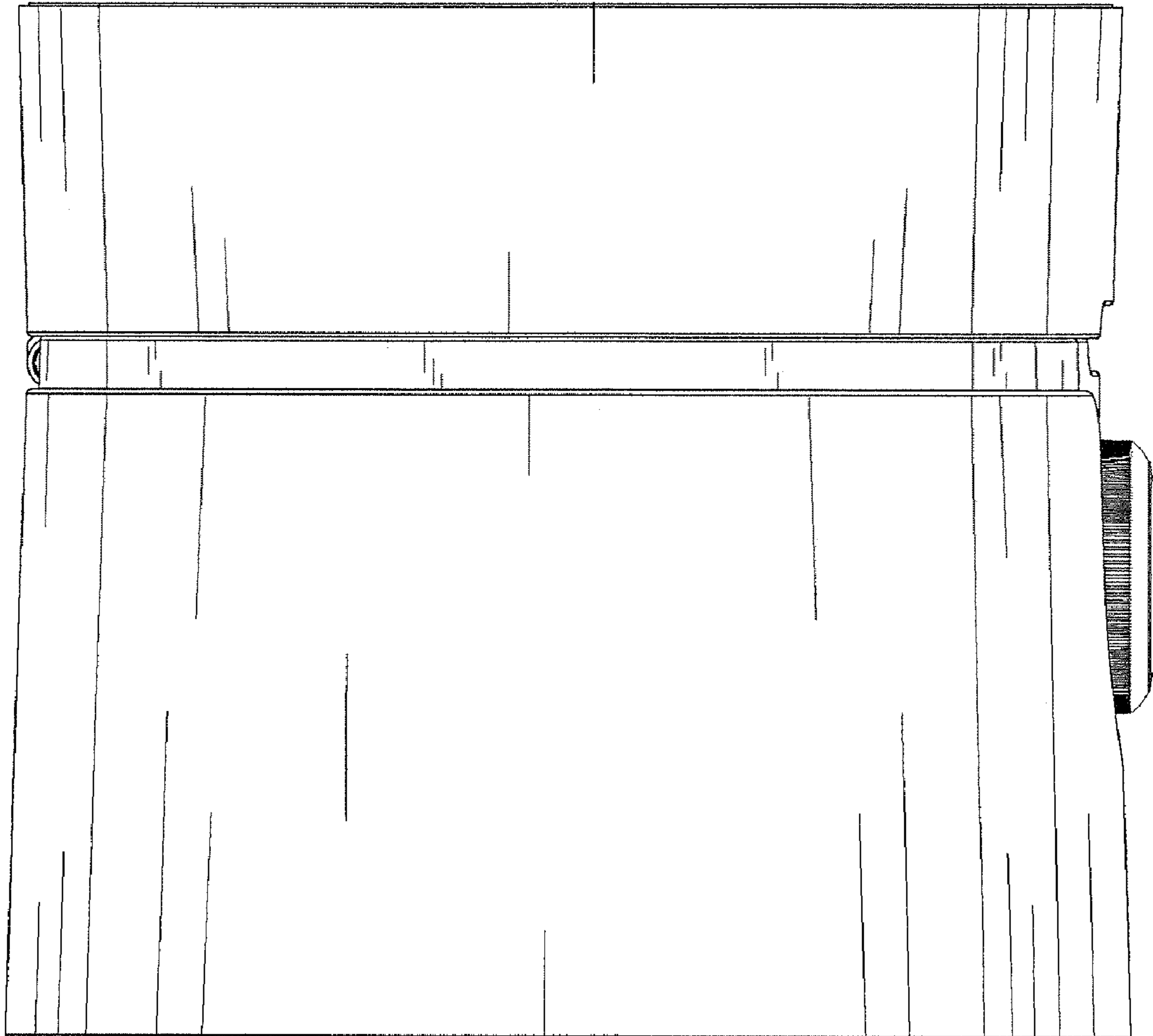


FIG. 3

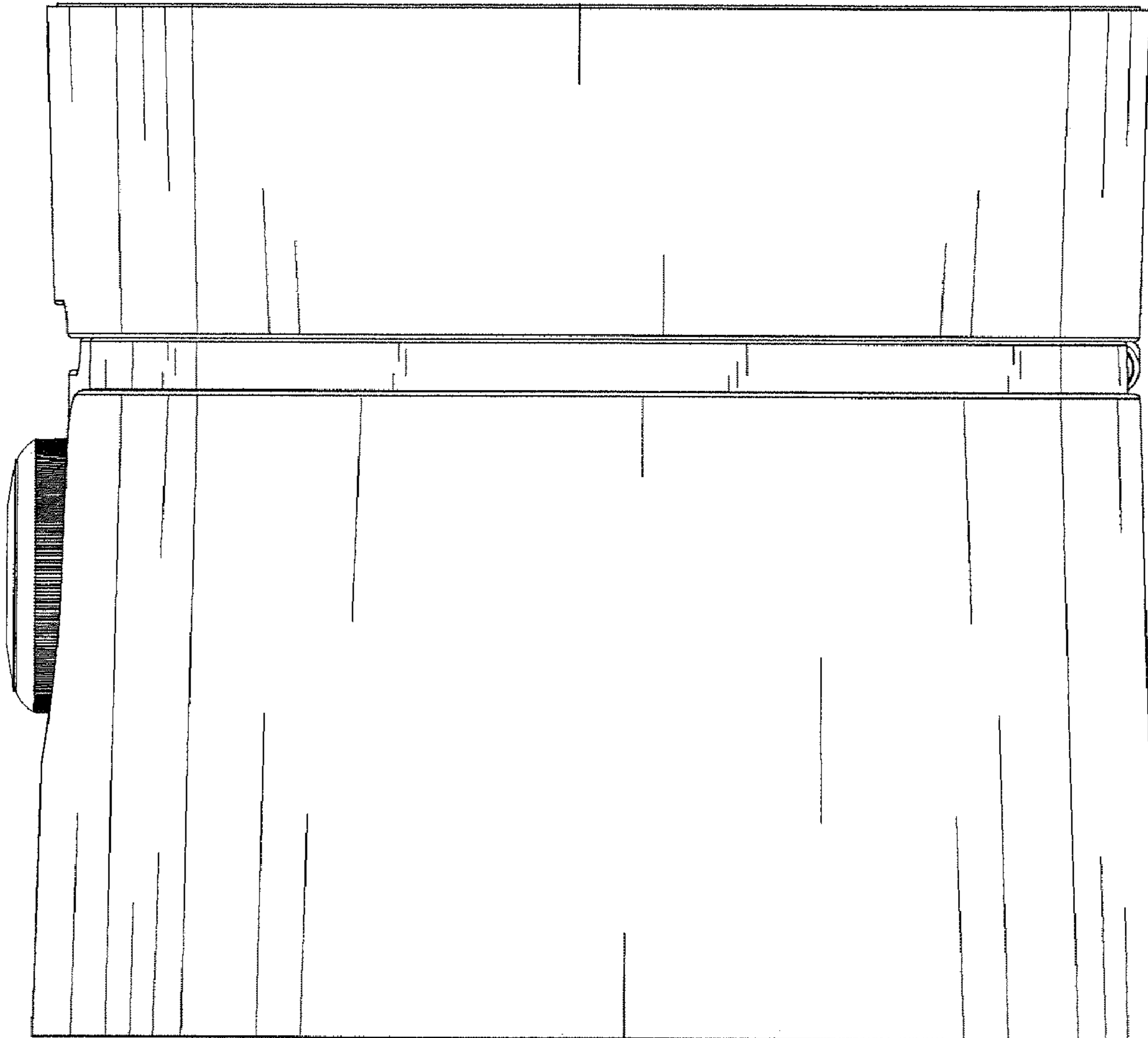


FIG. 4

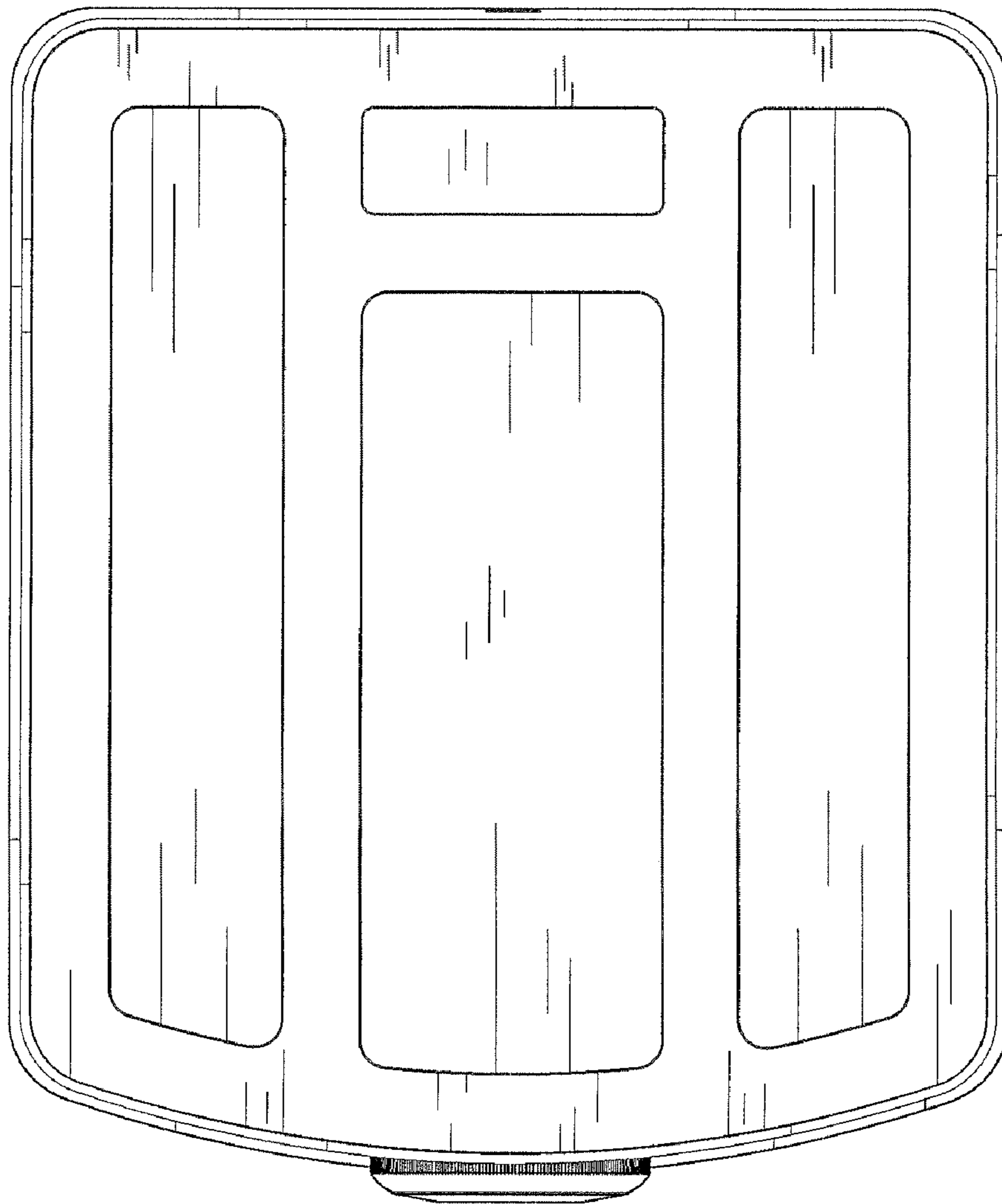


FIG. 5

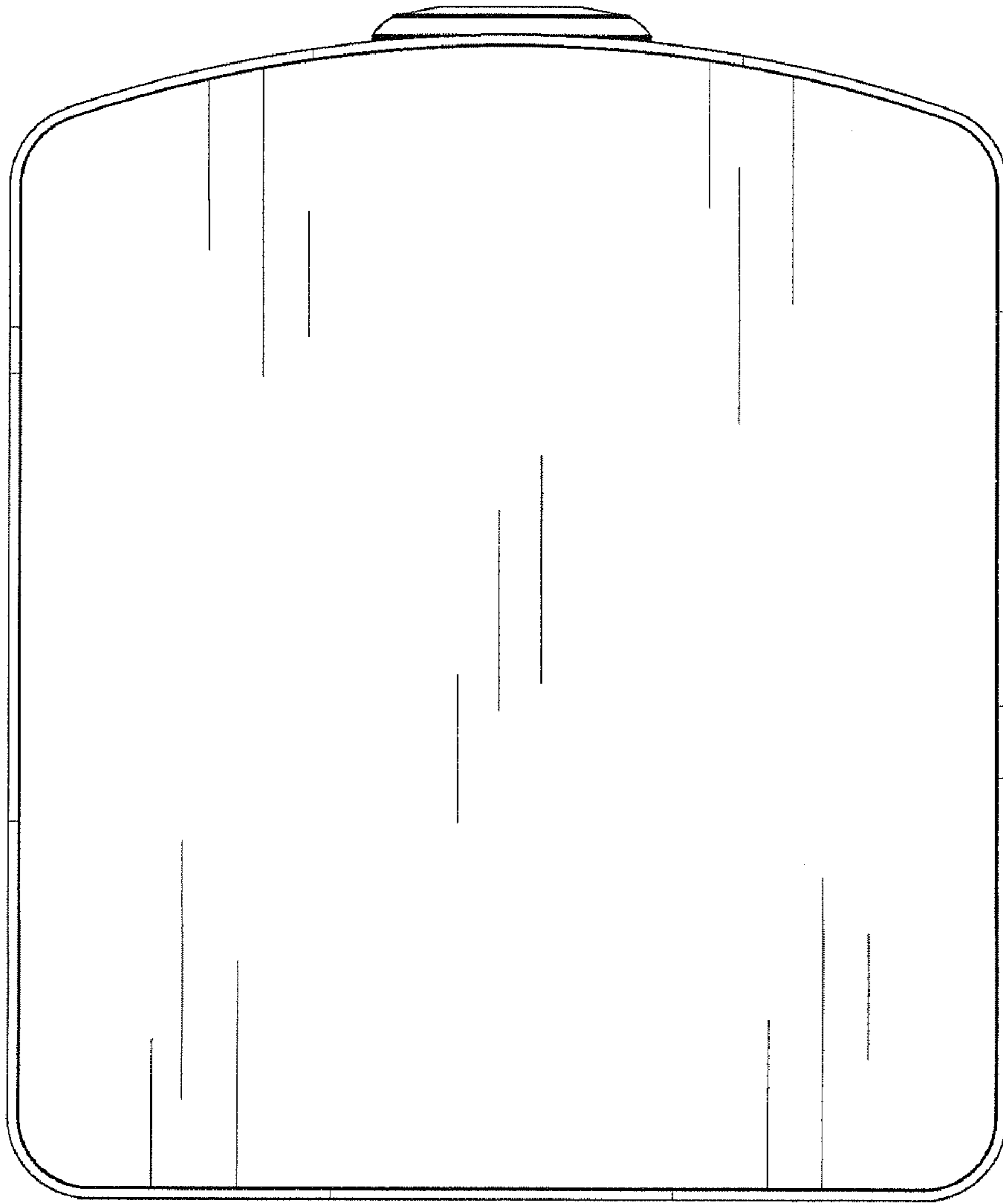


FIG. 6

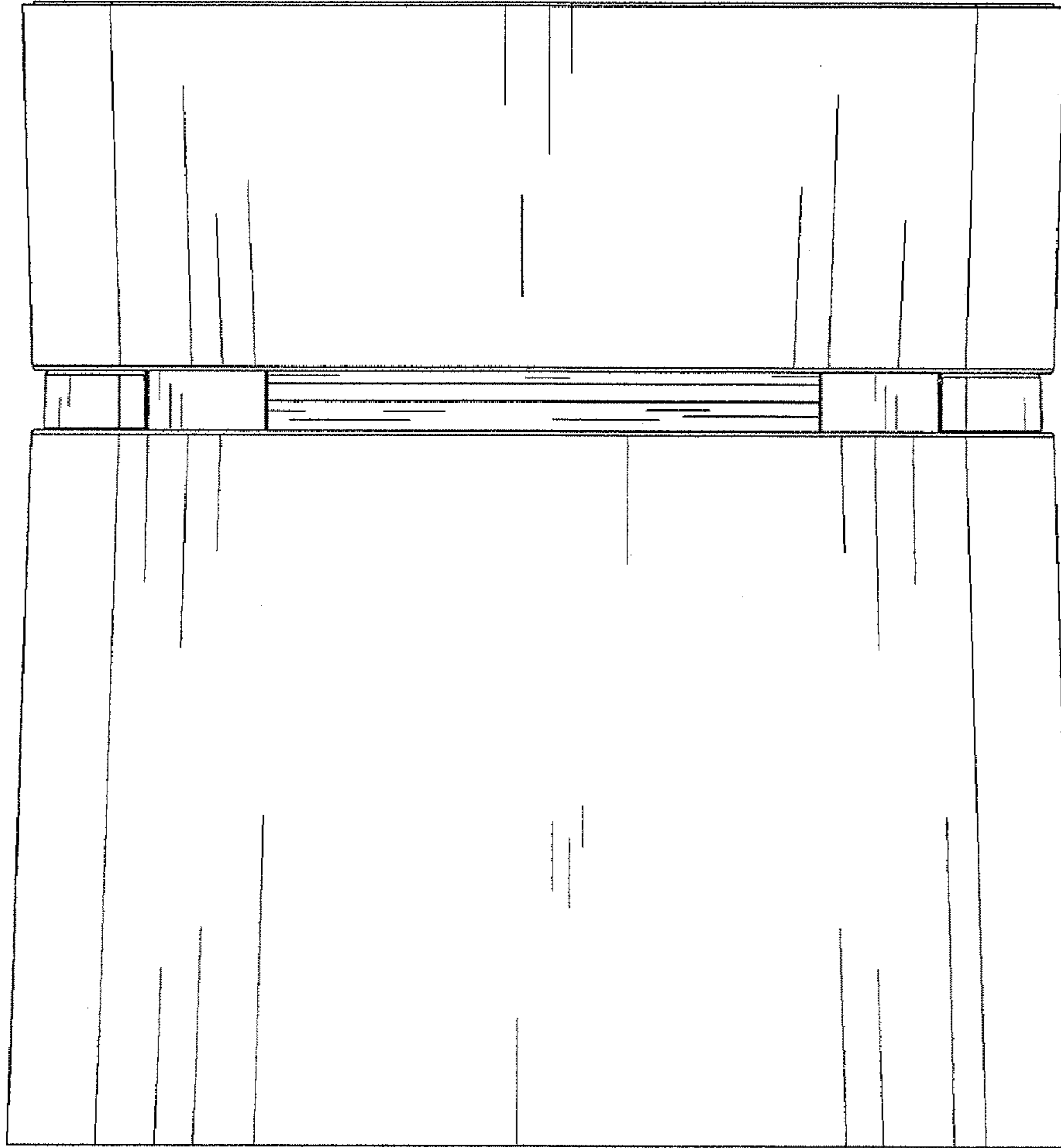


FIG. 7

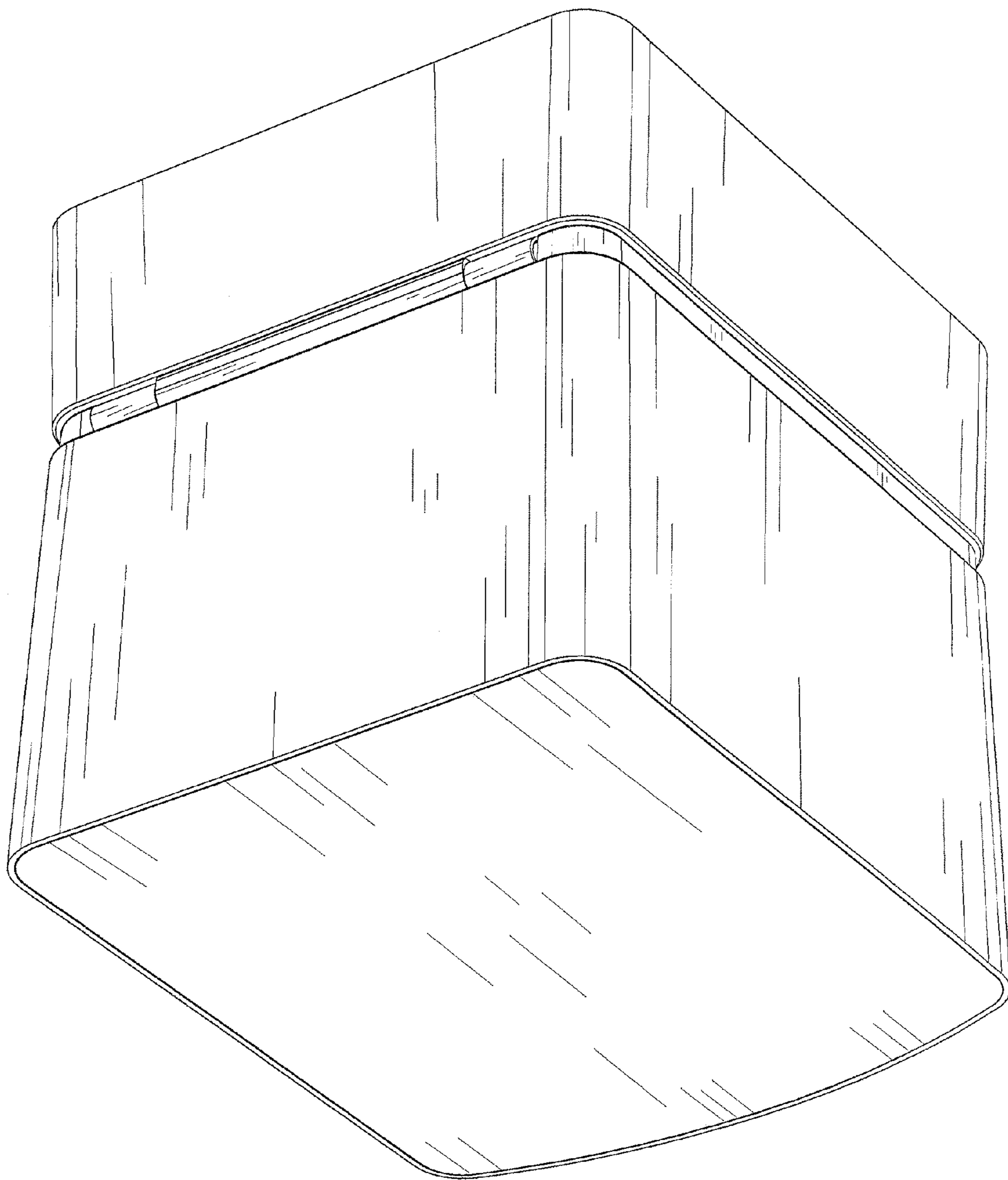


FIG. 8

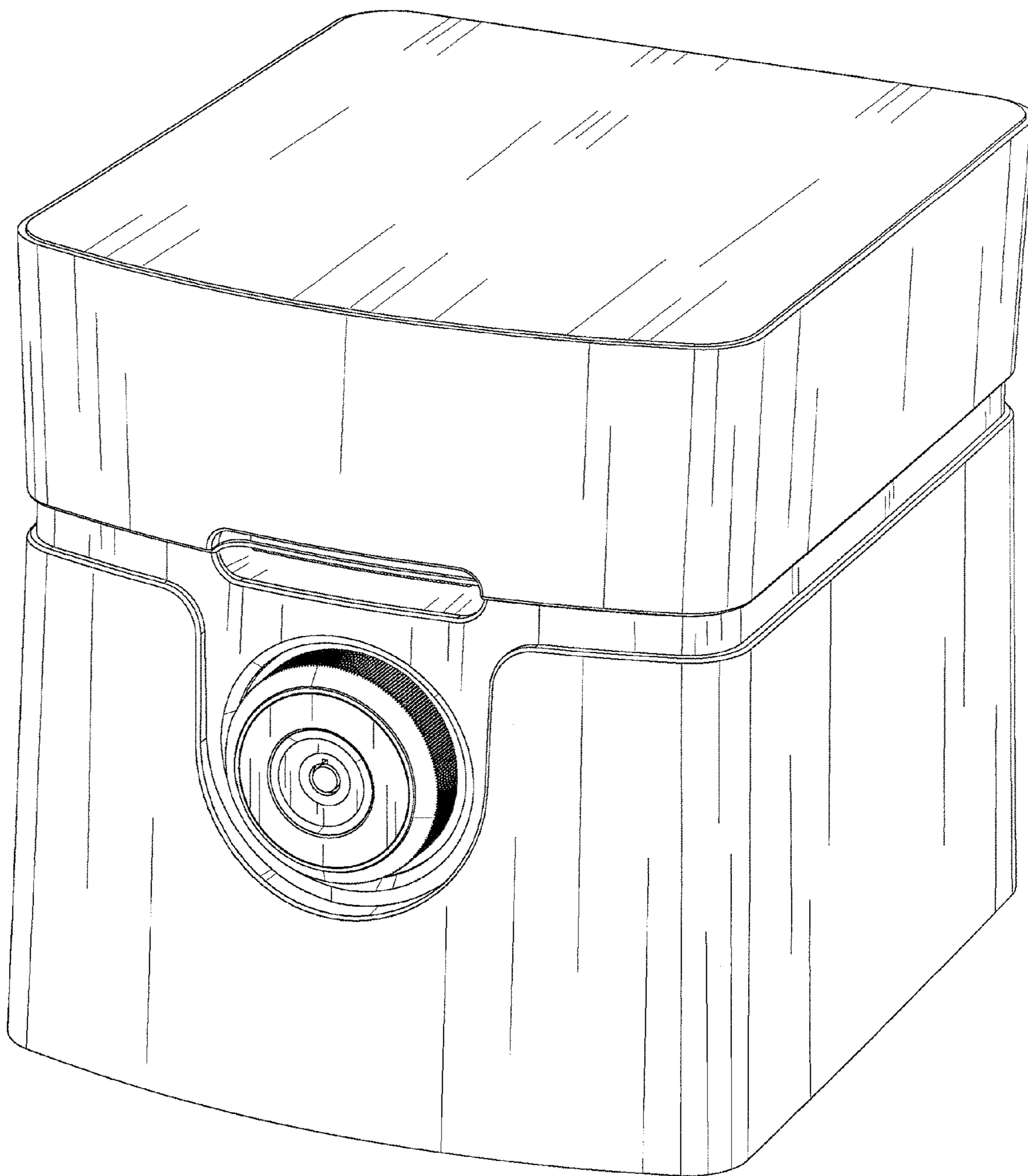


FIG. 9

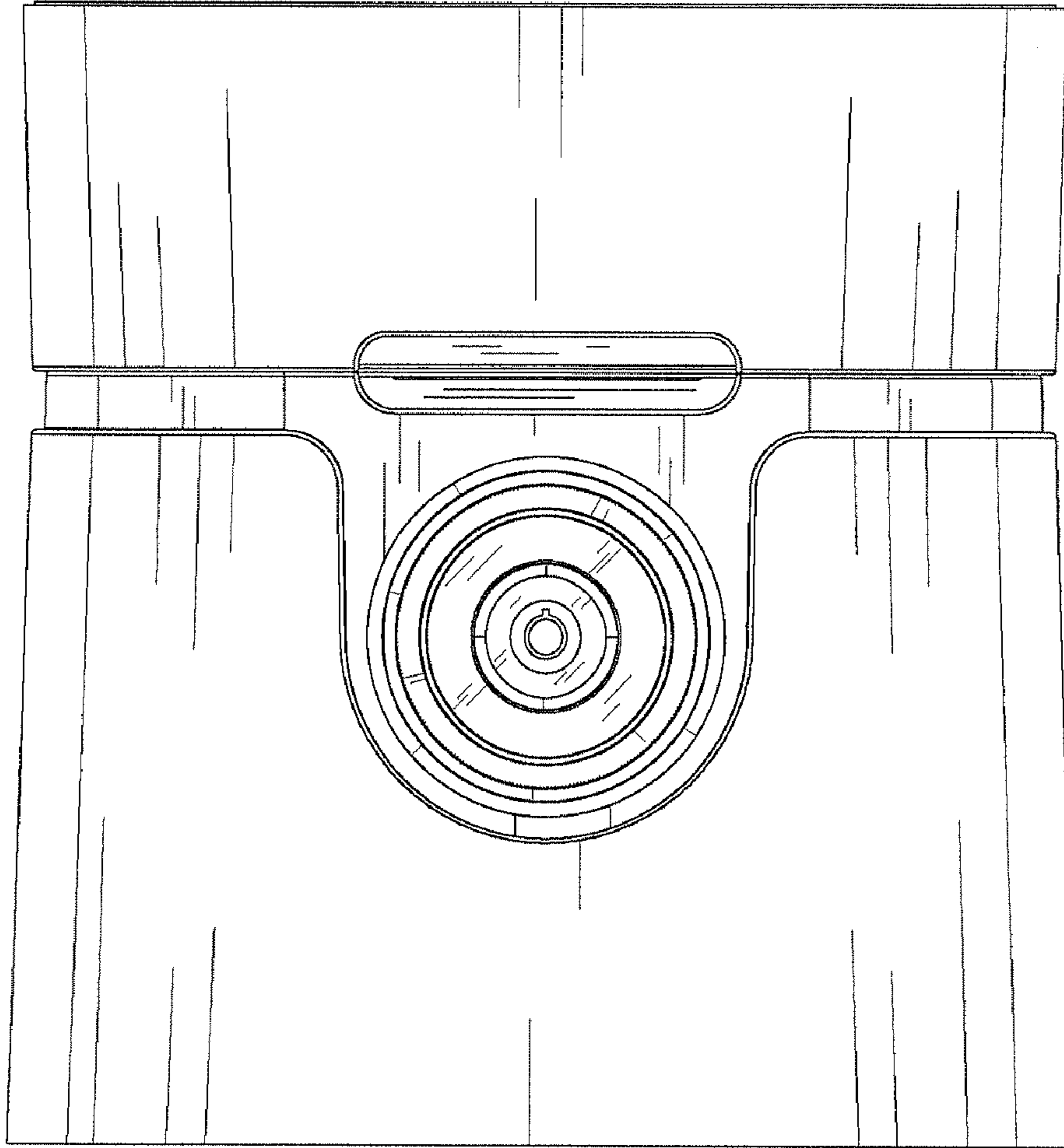


FIG. 10

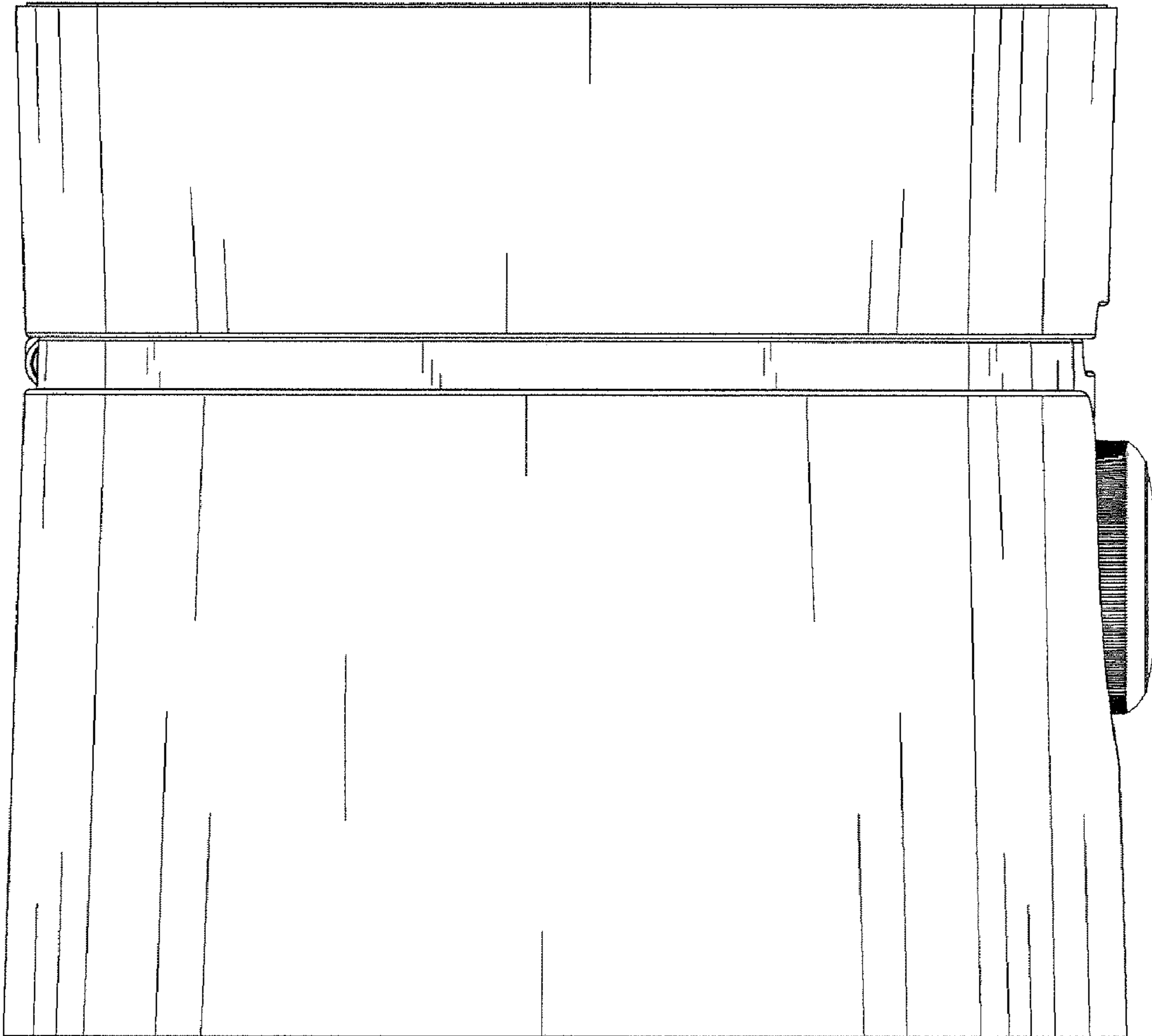


FIG. 11

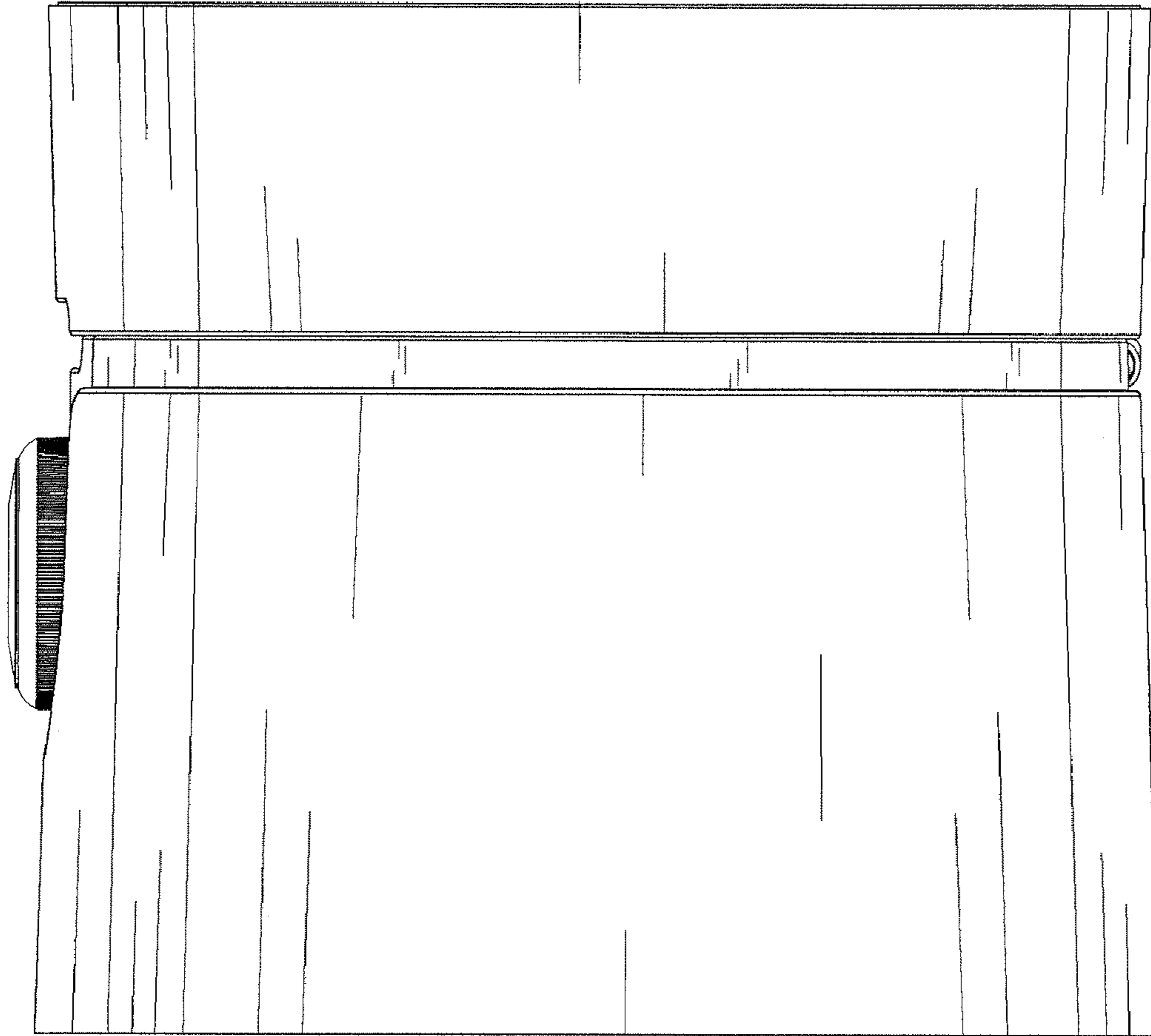


FIG. 12

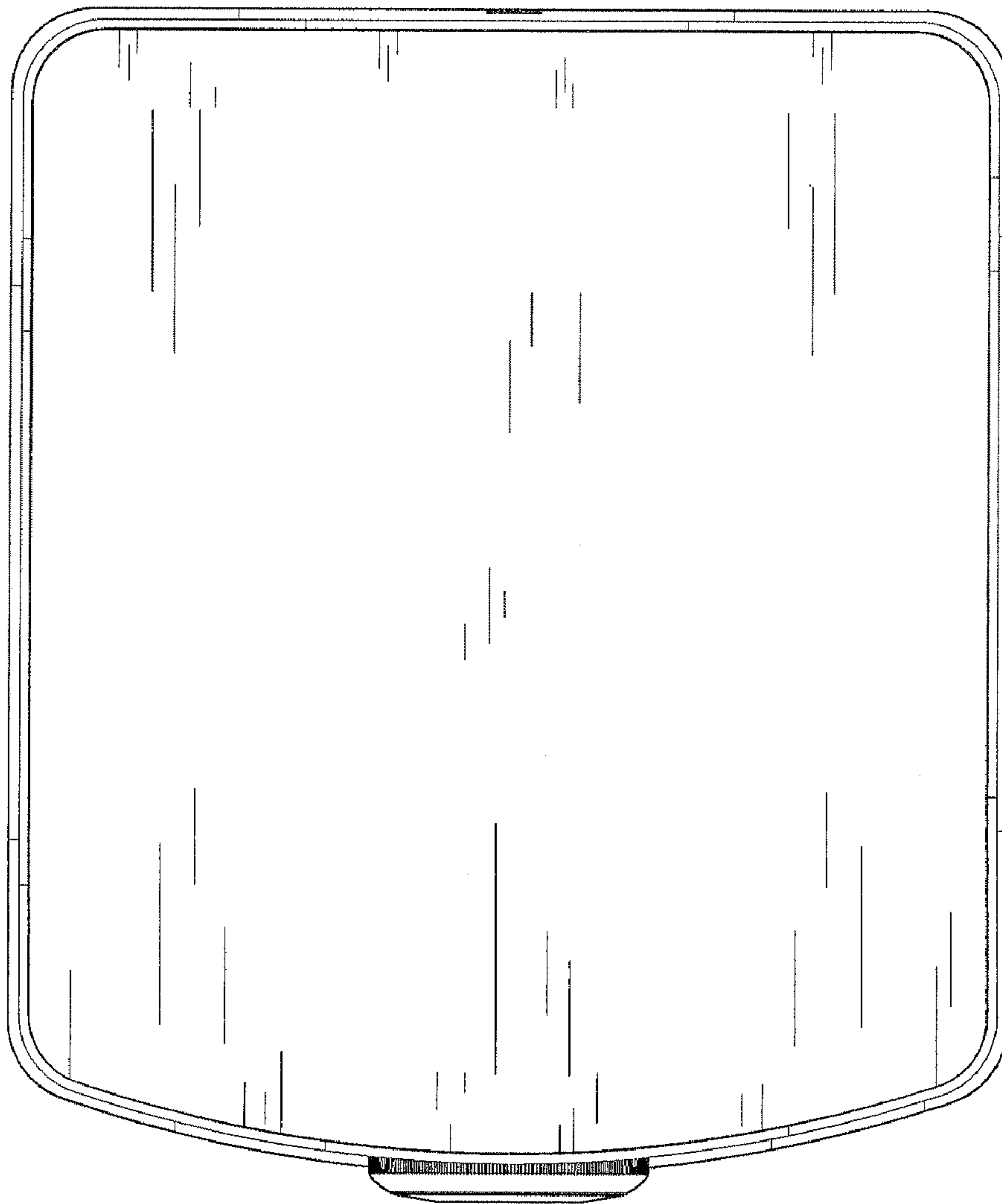


FIG. 13

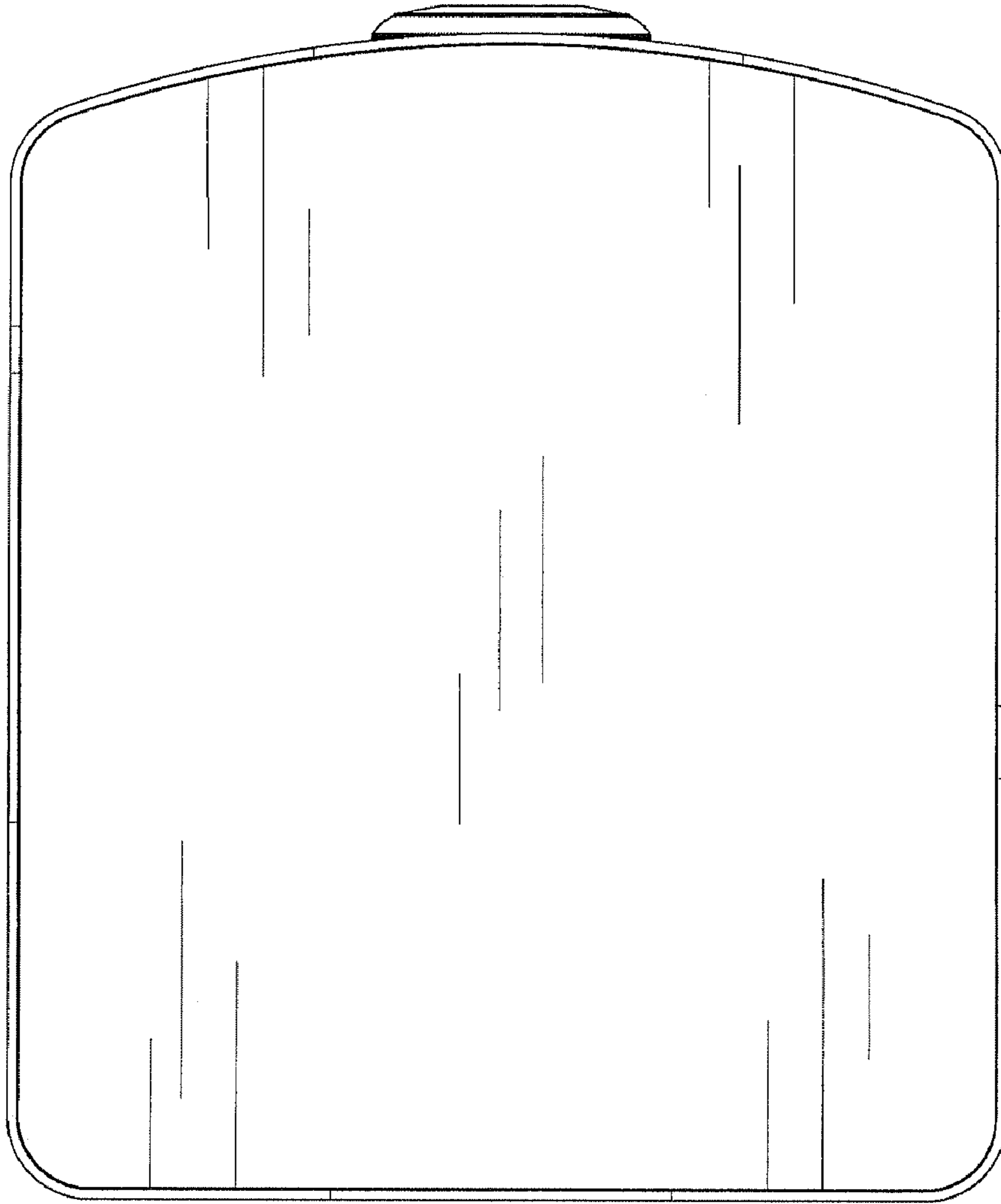


FIG. 14

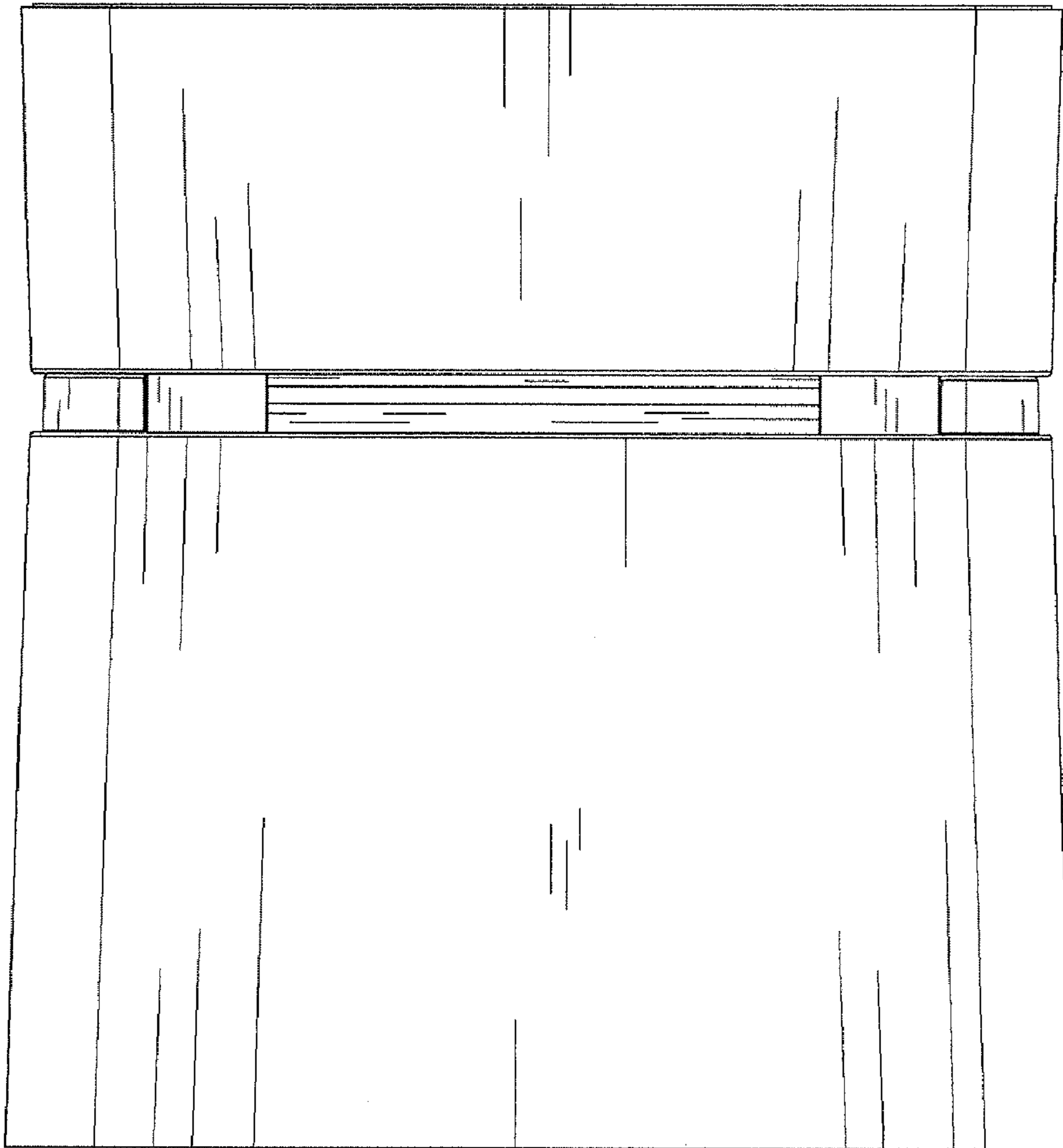


FIG. 15

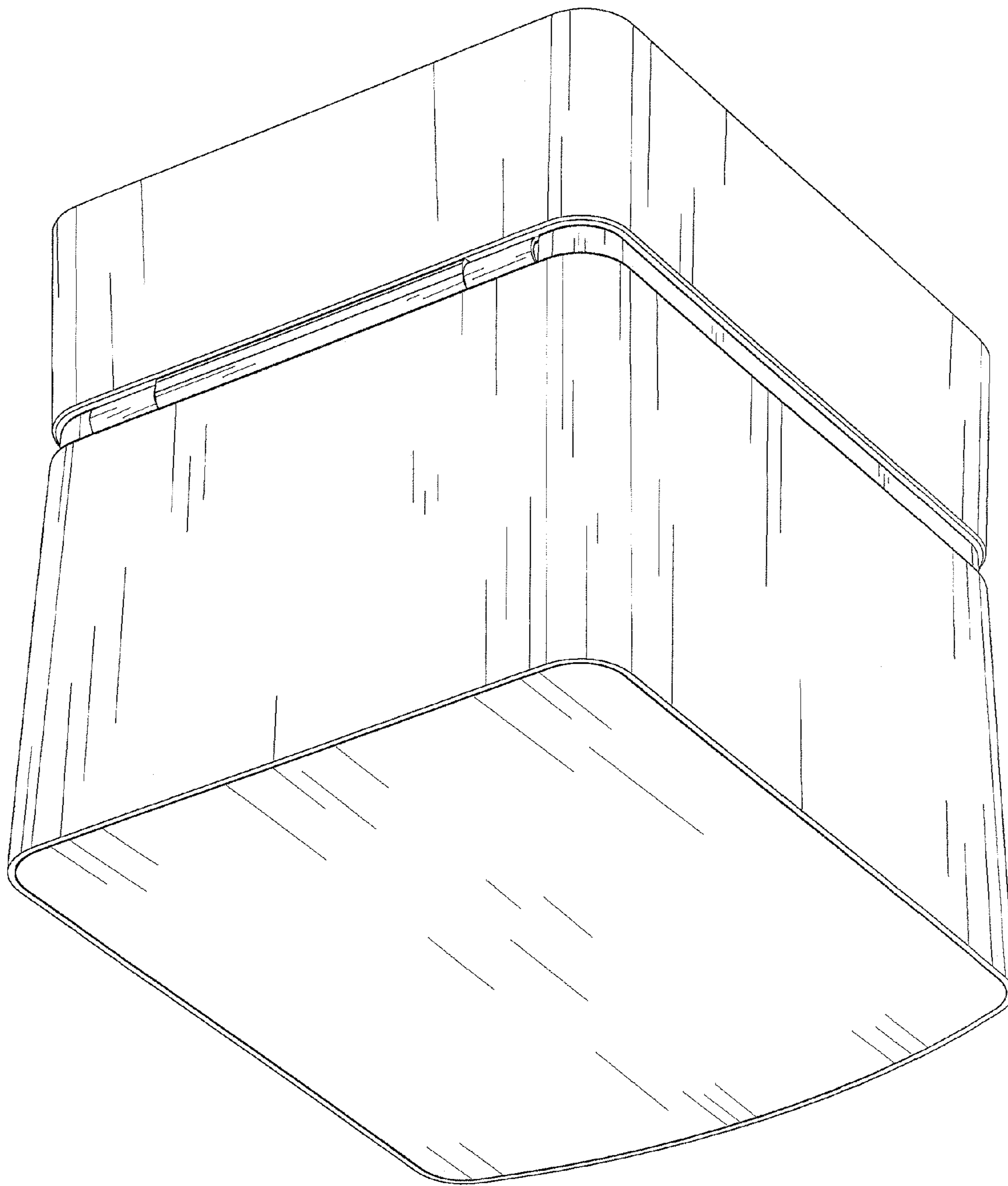


FIG. 16