



US00D570072S

(12) **United States Design Patent**  
**Walstrom et al.**

(10) **Patent No.:** **US D570,072 S**

(45) **Date of Patent:** **\*\* May 27, 2008**

(54) **SINGLE WHEEL CASTER FOR A JACK ASSEMBLY**

D340,340 S \* 10/1993 Allen ..... D34/28  
D348,340 S \* 6/1994 Collins et al. .... D34/31  
D358,920 S \* 5/1995 Peterman ..... D34/24

(75) Inventors: **Todd Walstrom**, Weston, WI (US);  
**Russ Beck**, Wausau, WI (US); **Joseph J. Peschmann**, Plover, WI (US); **Kash Okerlund**, Wittenberg, WI (US)

\* cited by examiner

*Primary Examiner*—Cynthia E Ramirez  
(74) *Attorney, Agent, or Firm*—McDonald Hopkins LLC;  
Robert H. Earp, III; Risto Pribisich

(73) Assignee: **Cequent Trailer Products Inc.**,  
Mosinee, WI (US)

(57) **CLAIM**

(\*\*) Term: **14 Years**

The ornamental design for a single wheel caster for a jack assembly, as shown and described.

(21) Appl. No.: **29/289,338**

(22) Filed: **Jul. 17, 2007**

**DESCRIPTION**

(51) **LOC (8) Cl.** ..... **12-05**

FIG. 1 is a top, left and front perspective view of a single wheel caster for a jack assembly showing my new design.

(52) **U.S. Cl.** ..... **D34/35; D34/31**

FIG. 2 is a perspective view of the single wheel caster as seen from the top, left, and front sides thereof;

(58) **Field of Classification Search** ..... D34/31,  
D34/33, 35; 254/97, 418; 280/47.131; 114/344;  
D12/317

FIG. 3 is a front side view thereof;

FIG. 4 is a back side view thereof;

FIG. 5 is a right side view thereof;

FIG. 6 is a left side view thereof;

FIG. 7 is a top side view thereof; and,

FIG. 8 is a bottom side view thereof.

See application file for complete search history.

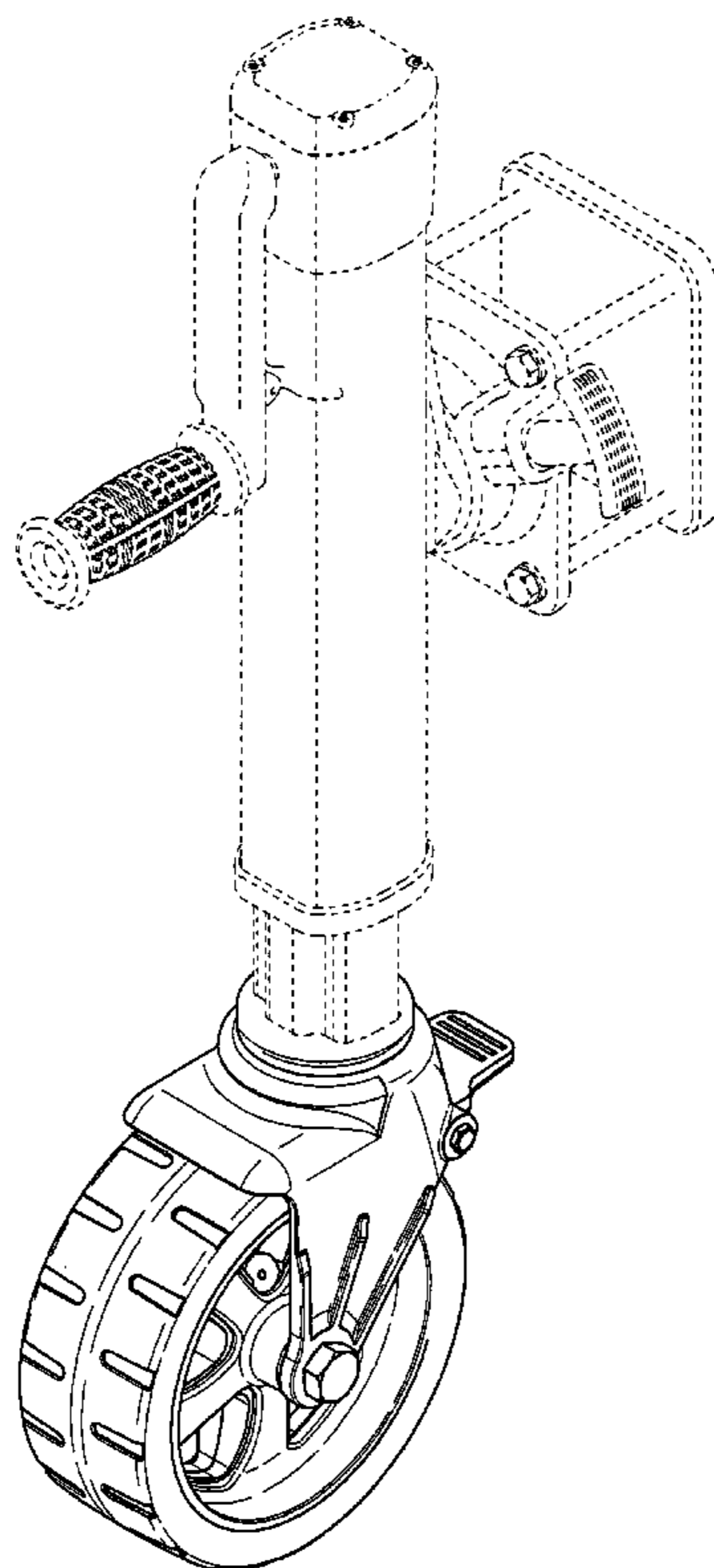
The broken line showing in FIGS. 1, 2 and 7 is included for the purpose of illustrating environment and forms no part of the claimed design.

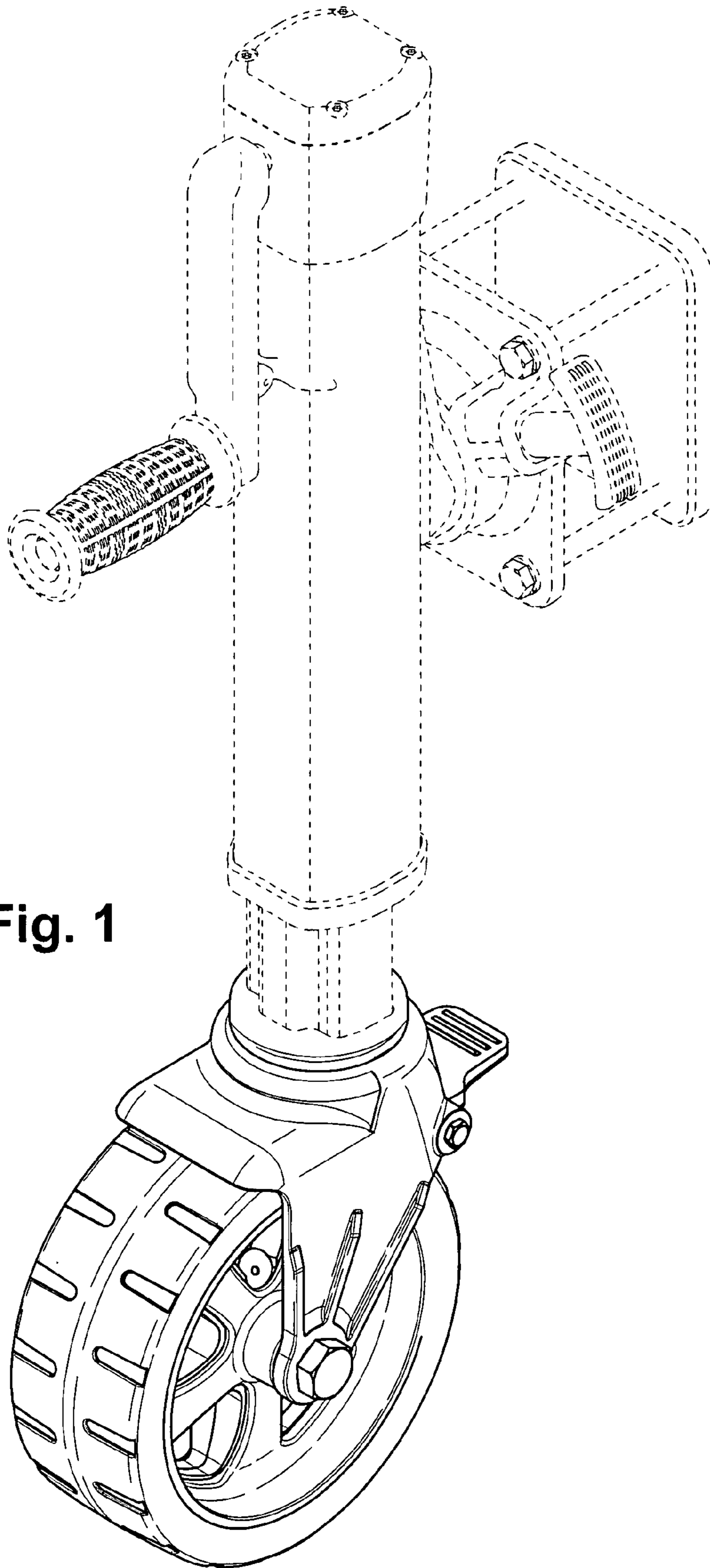
(56) **References Cited**

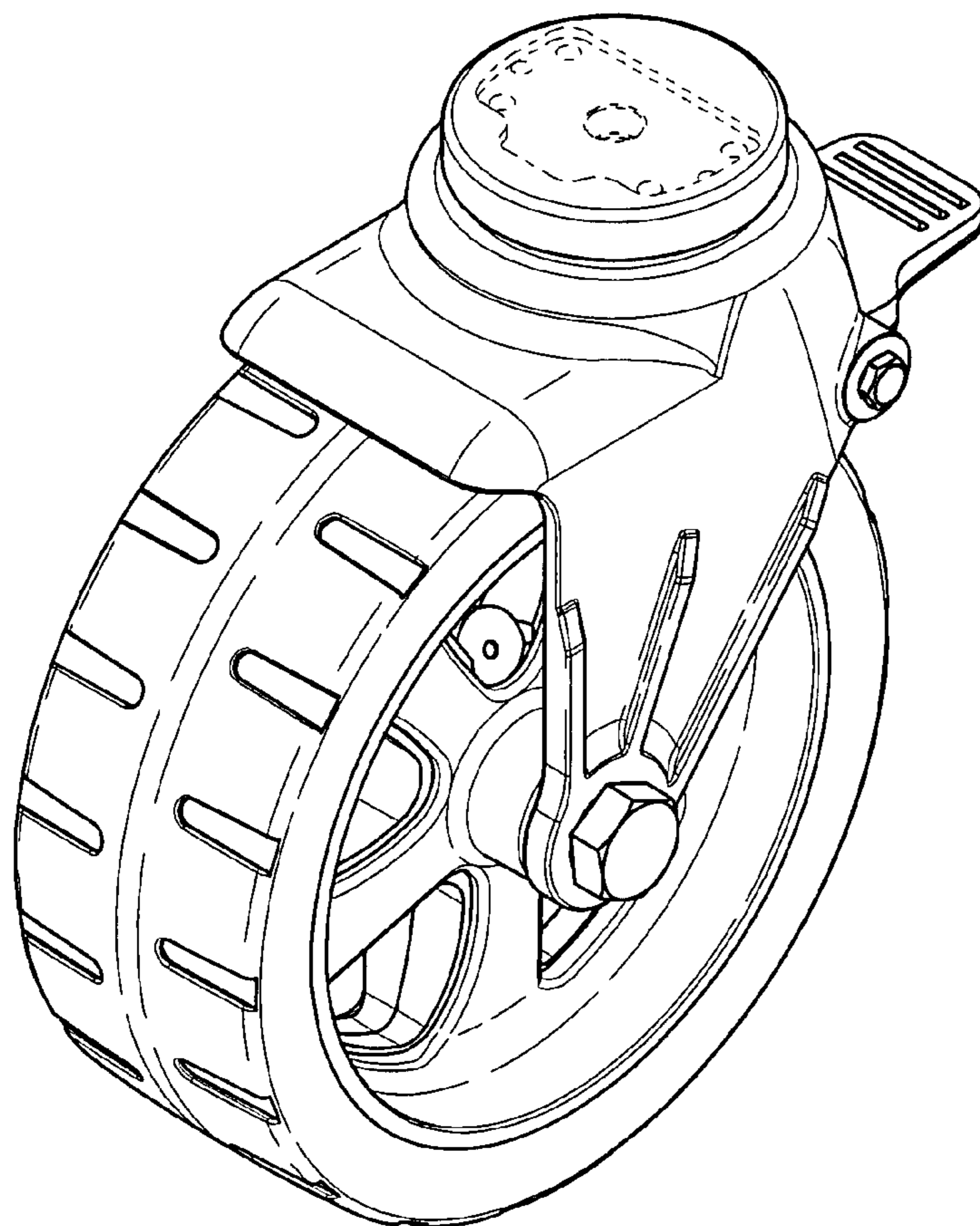
**U.S. PATENT DOCUMENTS**

2,227,725 A \* 1/1941 Laddon ..... 280/47.131  
2,233,135 A \* 2/1941 Ketel ..... 254/419  
D212,800 S \* 11/1968 Kimball ..... D34/28  
3,934,852 A \* 1/1976 Weber et al. .... 254/420  
4,702,458 A \* 10/1987 Kendrick ..... 254/97  
D318,355 S \* 7/1991 Salvesen ..... D34/12  
D334,268 S \* 3/1993 Hayes ..... D34/28

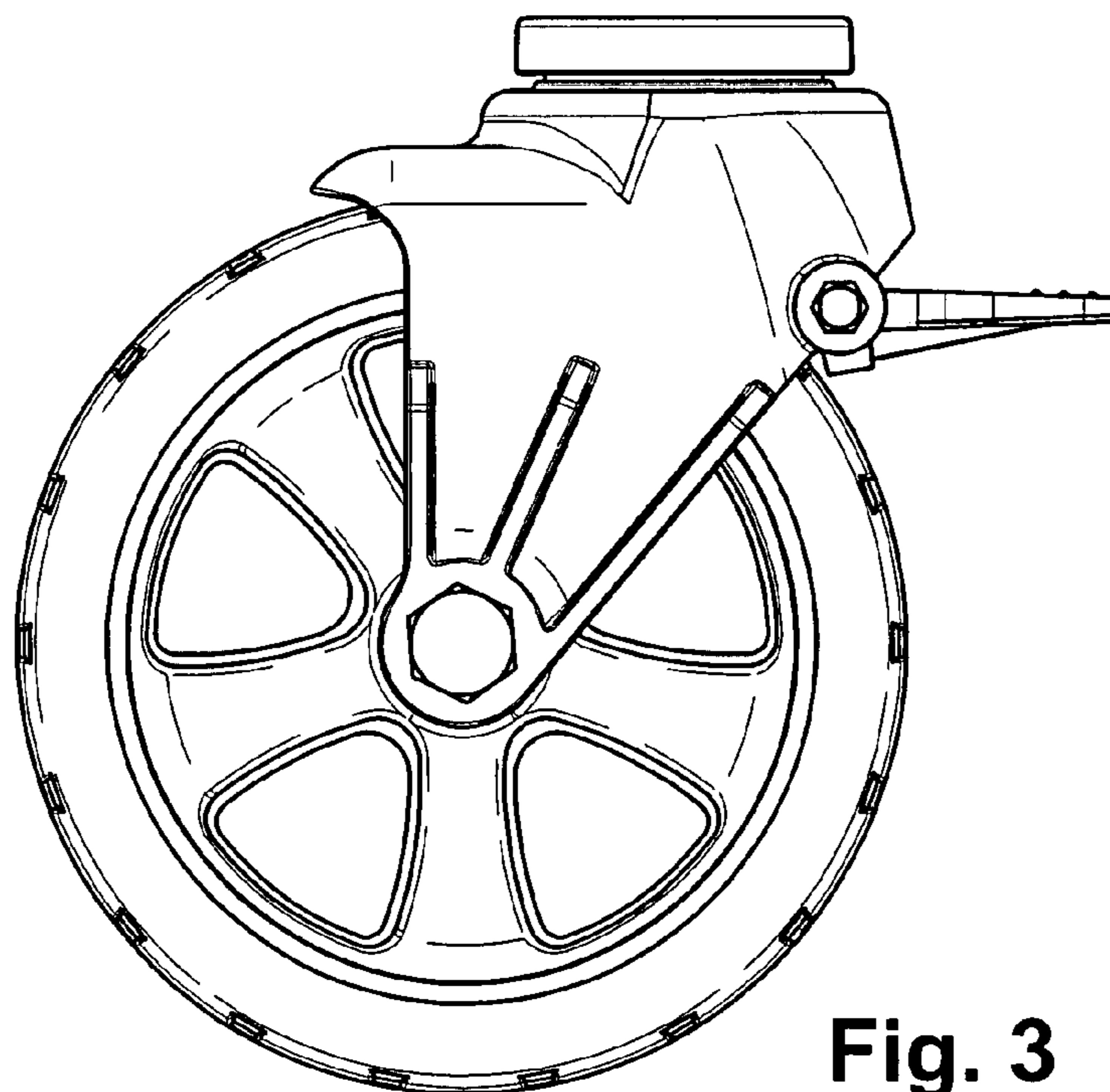
**1 Claim, 4 Drawing Sheets**



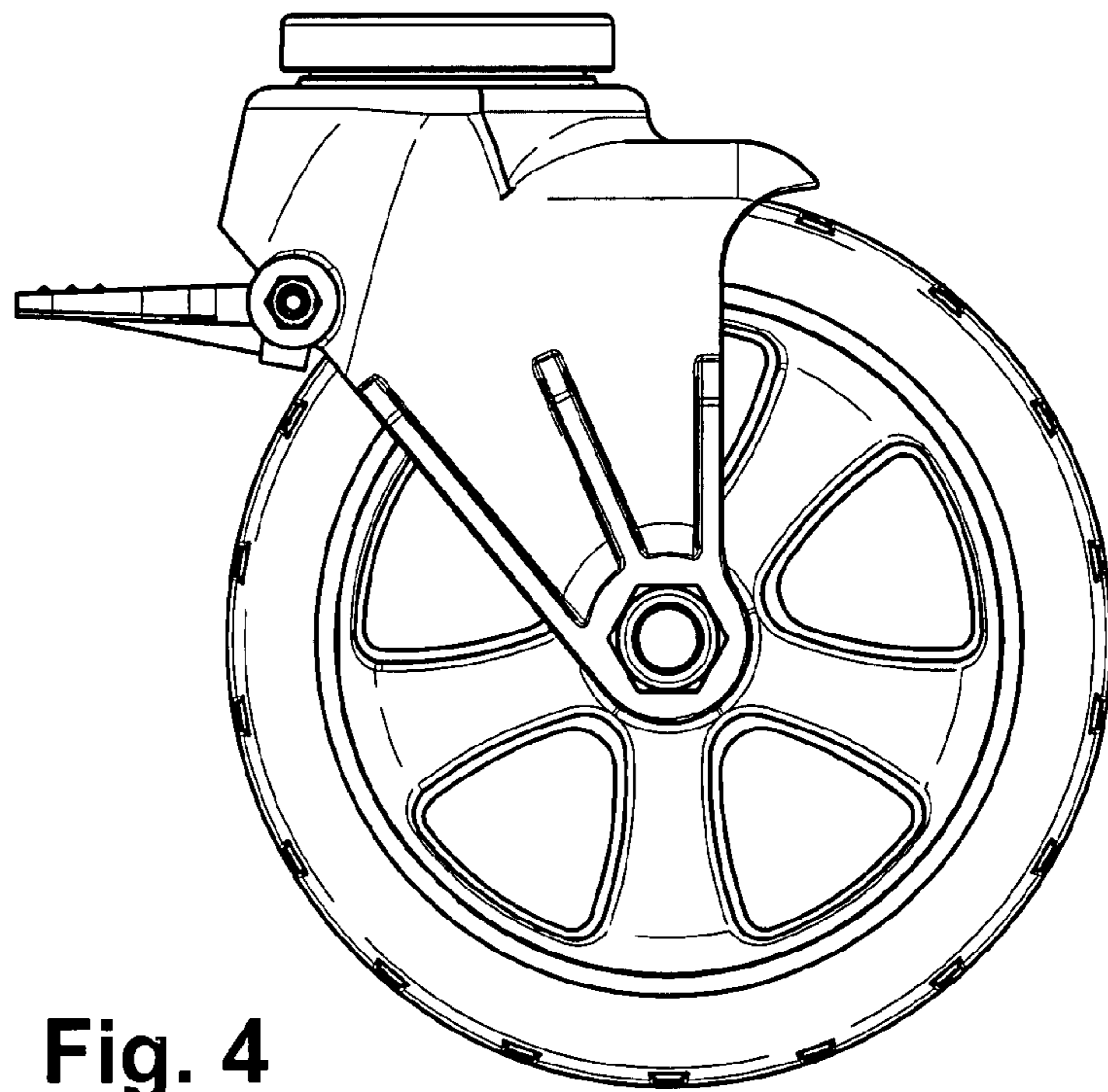




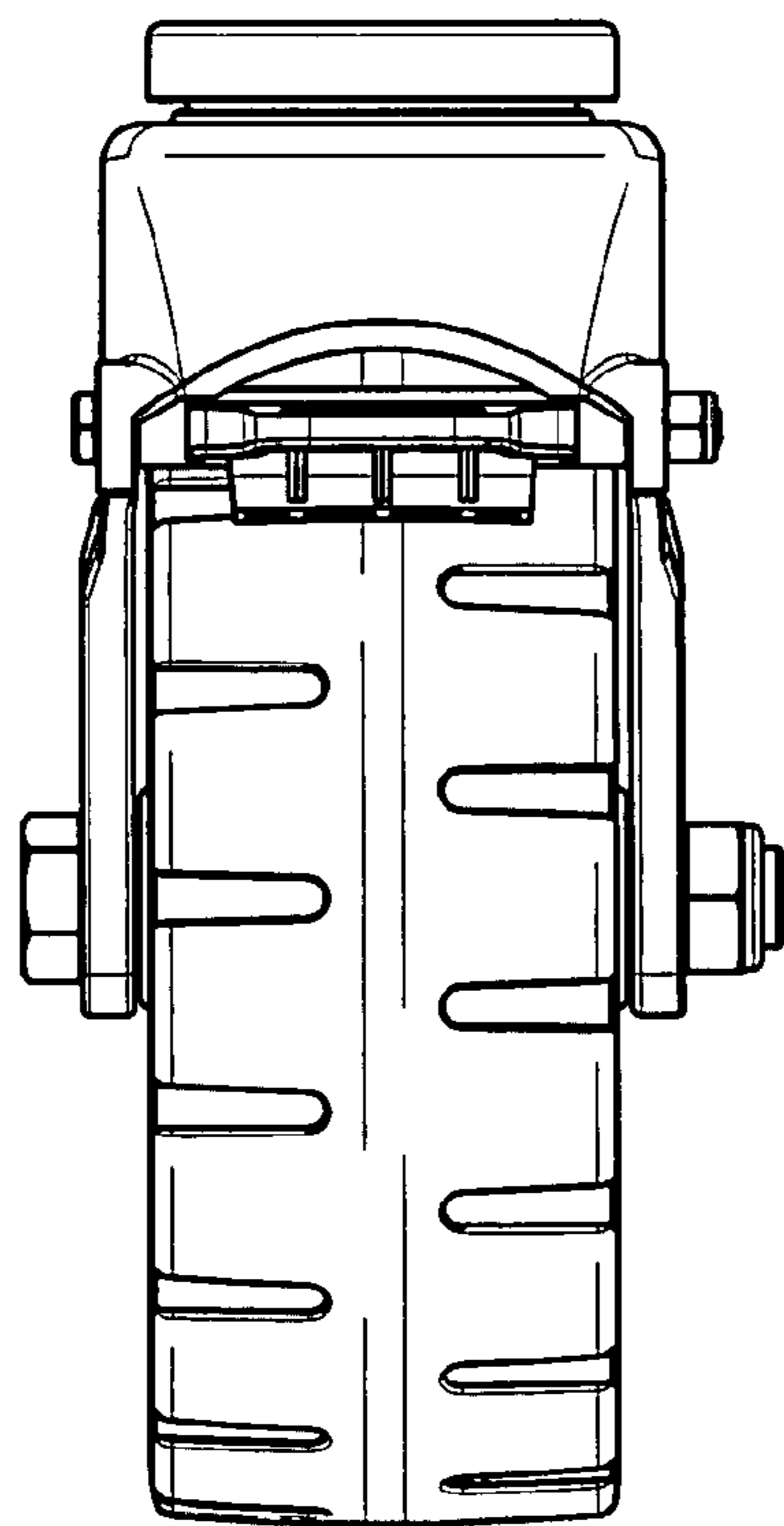
**Fig. 2**



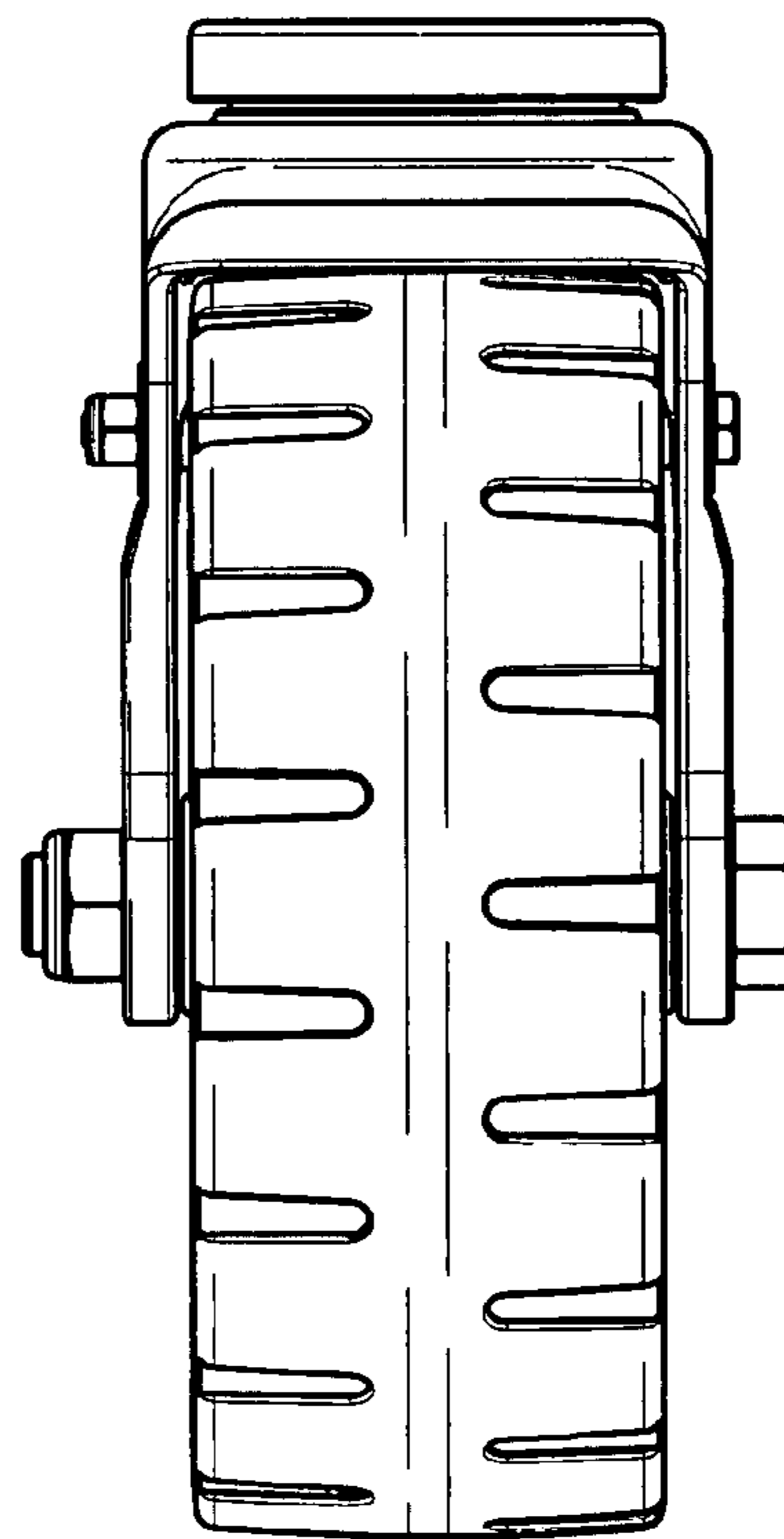
**Fig. 3**



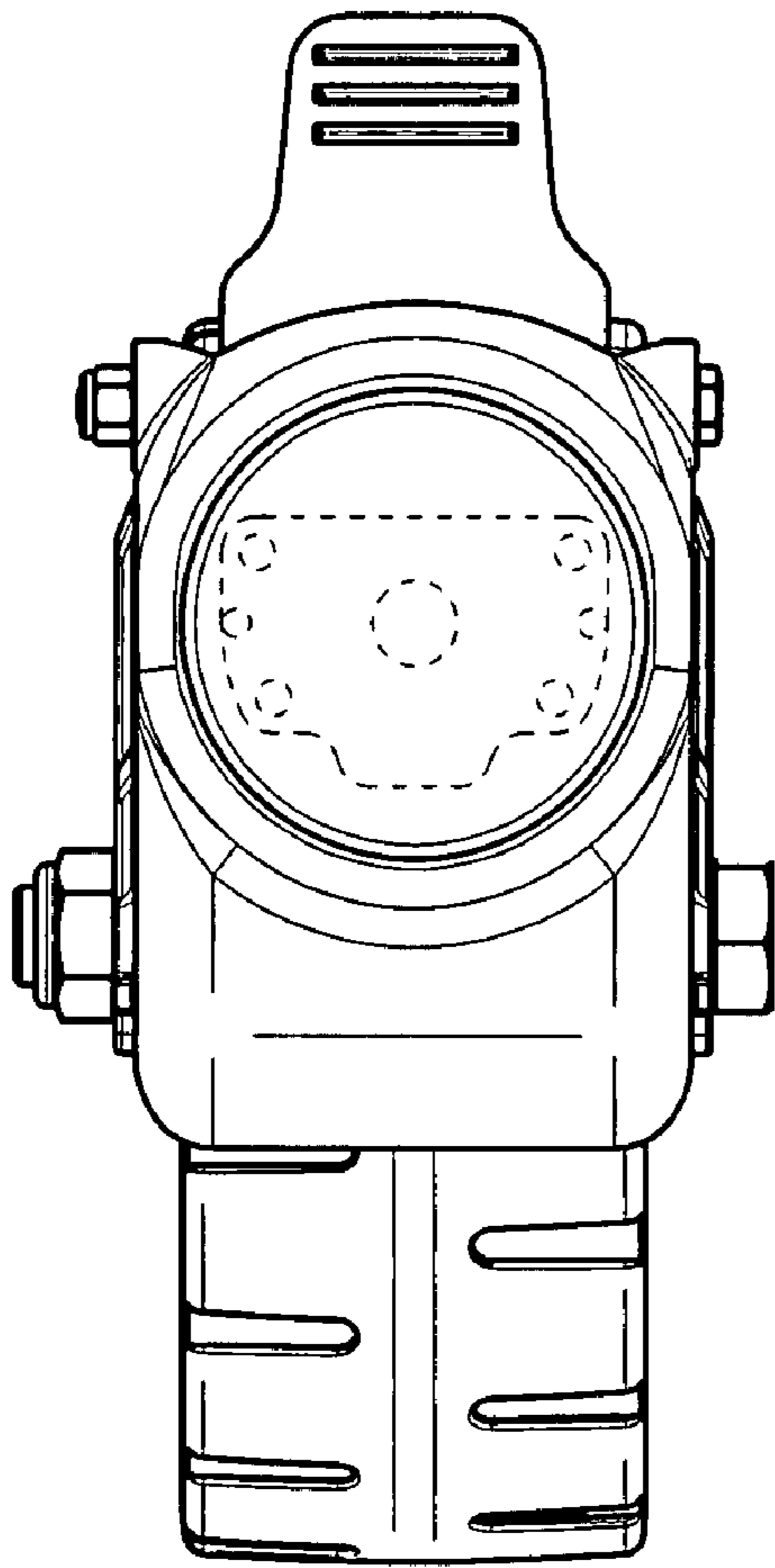
**Fig. 4**



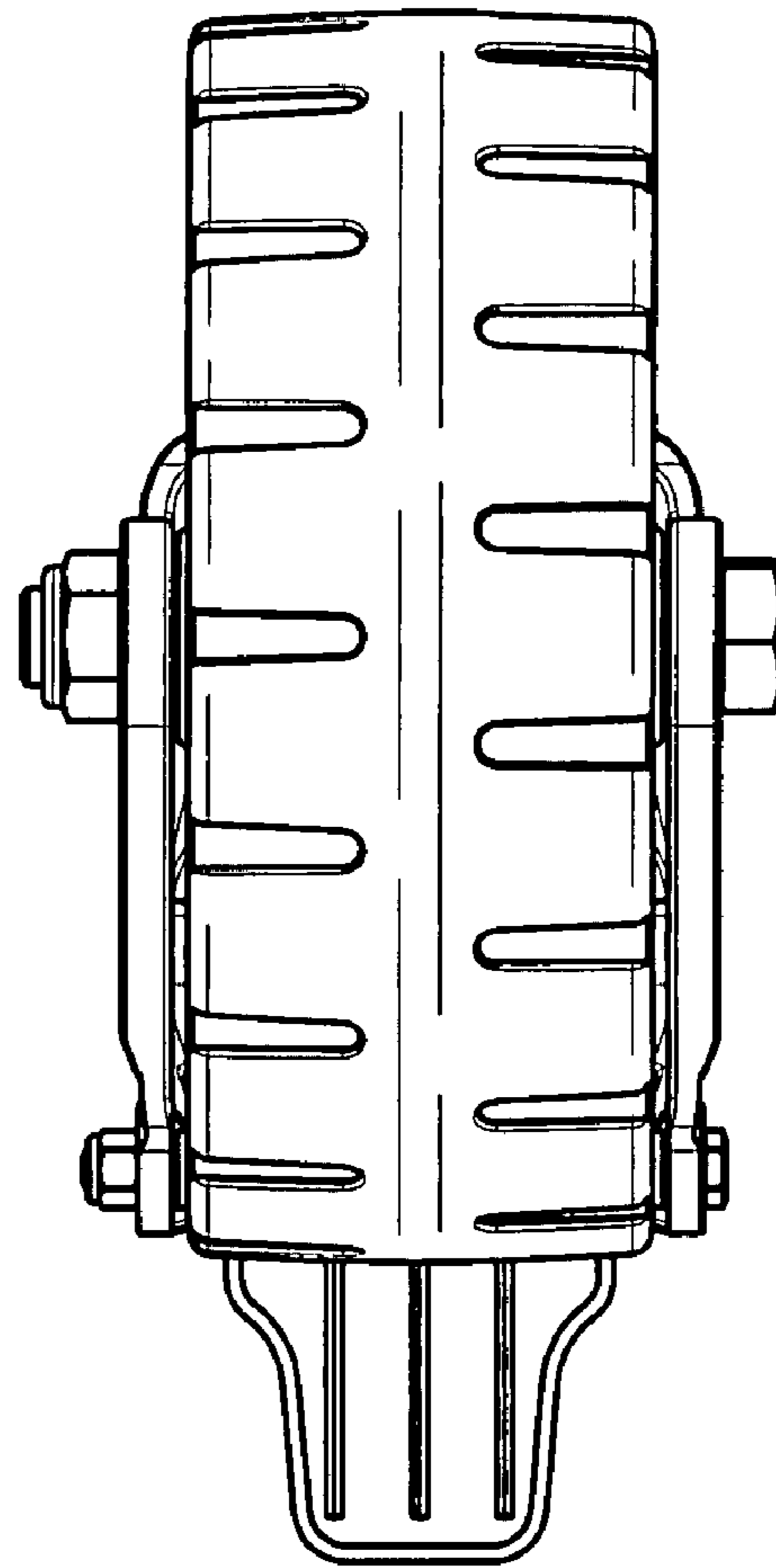
**Fig. 5**



**Fig. 6**



**Fig. 7**



**Fig. 8**