



US00D570069S

(12) **United States Design Patent**  
**Leonard**

(10) **Patent No.:** **US D570,069 S**

(45) **Date of Patent:** **\*\* May 27, 2008**

(54) **TILTING CART FOR PAINT SPRAYER**

(75) Inventor: **Brian T. Leonard**, Minnetonka, MN  
(US)

(73) Assignee: **Titan Tool, Inc.**, Oakland, NJ (US)

(\*\*) Term: **14 Years**

(21) Appl. No.: **29/281,247**

(22) Filed: **Jun. 19, 2007**

(51) **LOC (8) Cl.** ..... **12-02**

(52) **U.S. Cl.** ..... **D34/24**

(58) **Field of Classification Search** ..... D34/12-27;  
280/47.29, 655, 79.3, 47.19, 33.993, 33.991,  
280/33.996, 47.18, 47.28, 47.27, 47.34, 654  
See application file for complete search history.

(56) **References Cited**

**U.S. PATENT DOCUMENTS**

3,179,270	A *	4/1965	Taragos	.....	414/446
D238,749	S *	2/1976	Back et al.	.....	D8/359
5,026,089	A *	6/1991	Grimmonpre	.....	280/655
D356,199	S *	3/1995	Samuelsson	.....	D34/24
5,464,244	A *	11/1995	Tsai	.....	280/655
D424,771	S *	5/2000	Sivells et al.	.....	D34/14
D441,935	S *	5/2001	Cook	.....	D34/24

D473,990	S *	4/2003	Hittle	.....	D34/18
D481,511	S *	10/2003	Lee	.....	D34/24
D492,076	S *	6/2004	Kollen	.....	D34/21
D553,325	S *	10/2007	Miller et al.	.....	D34/24
D558,948	S *	1/2008	Miller et al.	.....	D34/24
2002/0101065	A1 *	8/2002	McCollum et al.	.....	280/655

\* cited by examiner

*Primary Examiner*—Cynthia E Ramirez

(74) *Attorney, Agent, or Firm*—Faegre & Benson LLP

(57) **CLAIM**

The ornamental design for a tilting cart for paint sprayer, as shown.

**DESCRIPTION**

FIG. 1 is perspective view of the tilting cart for paint sprayer of the present invention.

FIG. 2 is a top plan view of the cart of the present invention.

FIG. 3 is a bottom plan view thereof.

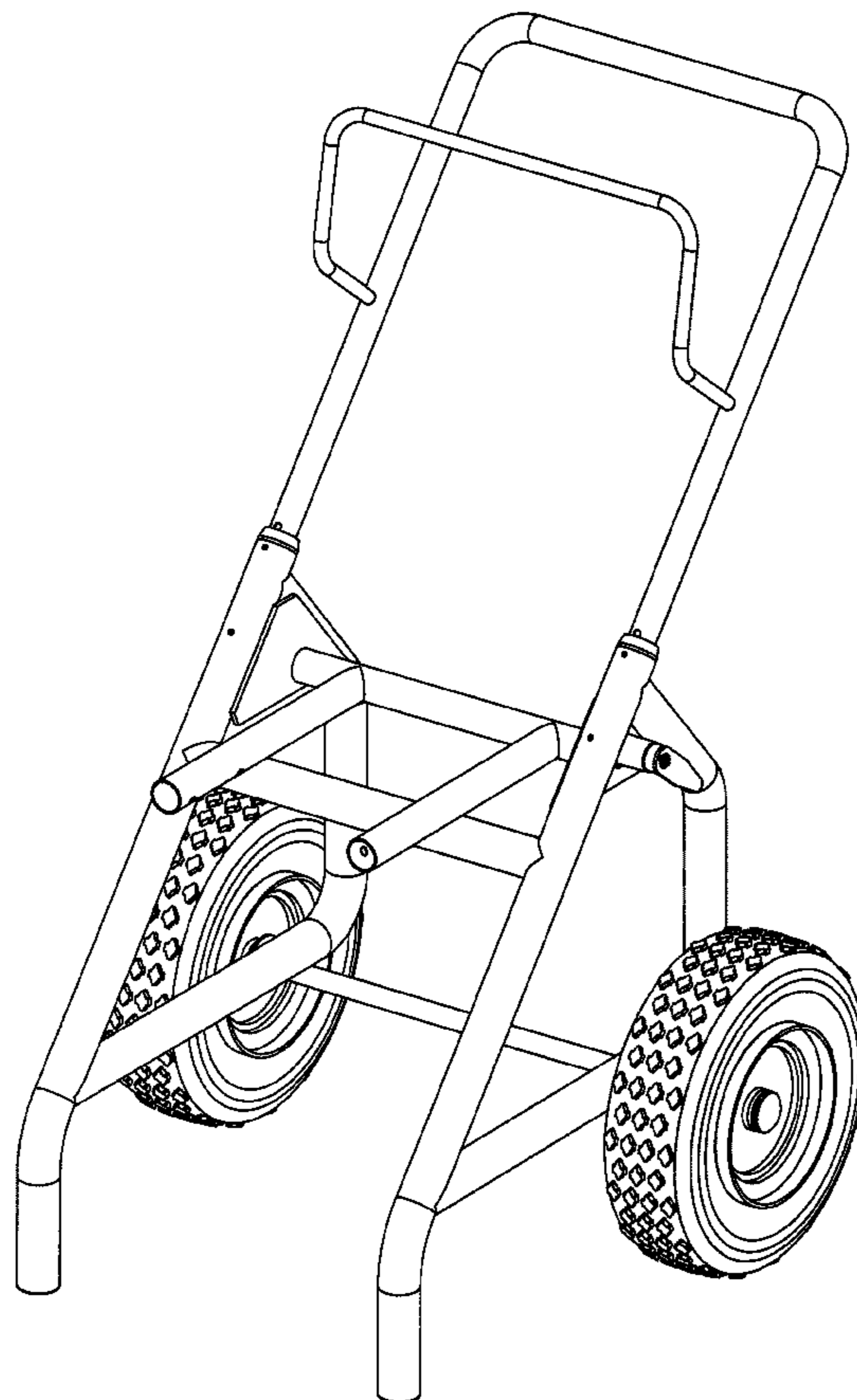
FIG. 4 is a rear elevation view thereof.

FIG. 5 is a right side elevation view thereof.

FIG. 6 is a left side elevation view thereof; and,

FIG. 7 is a front elevation view thereof.

**1 Claim, 5 Drawing Sheets**



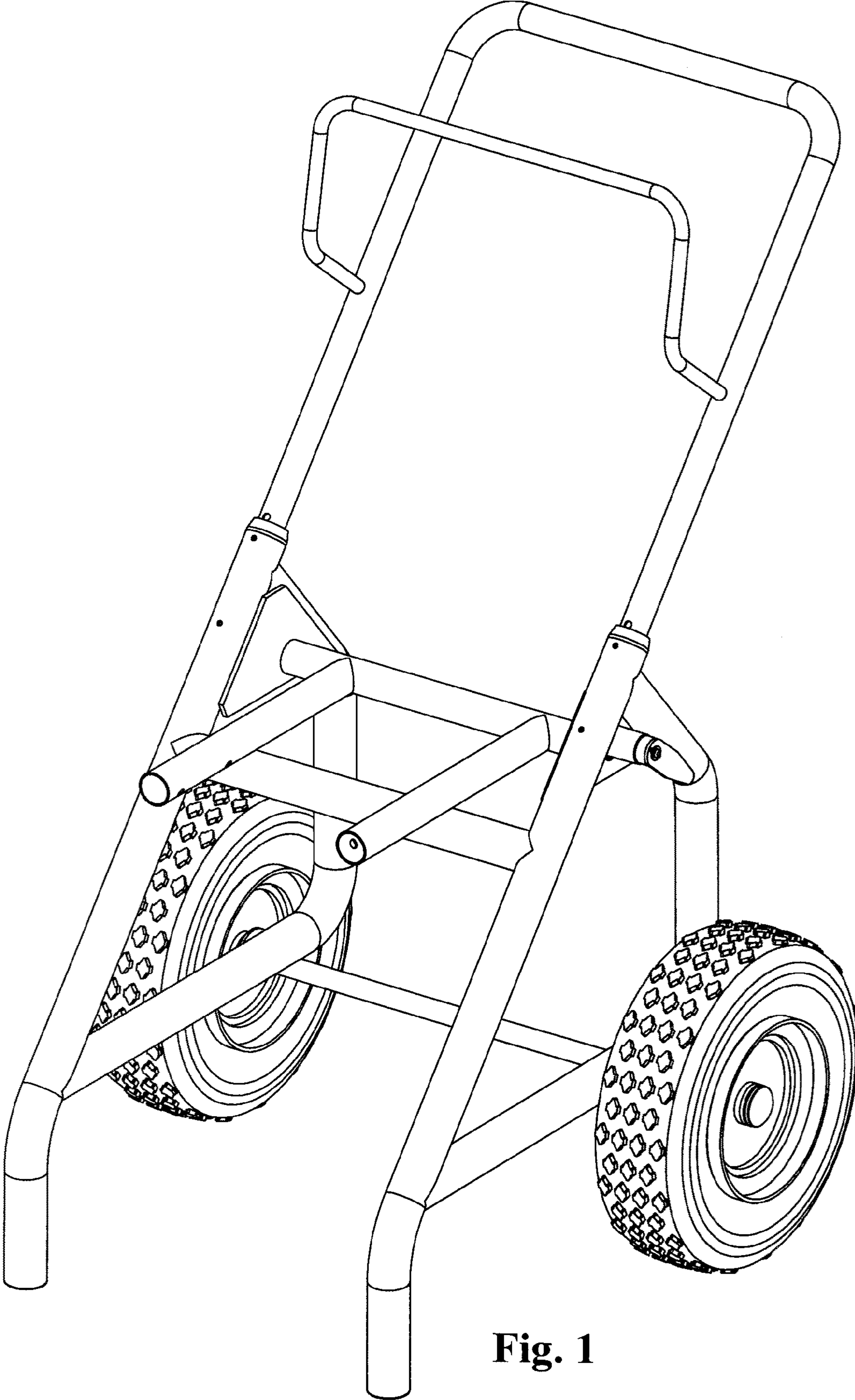
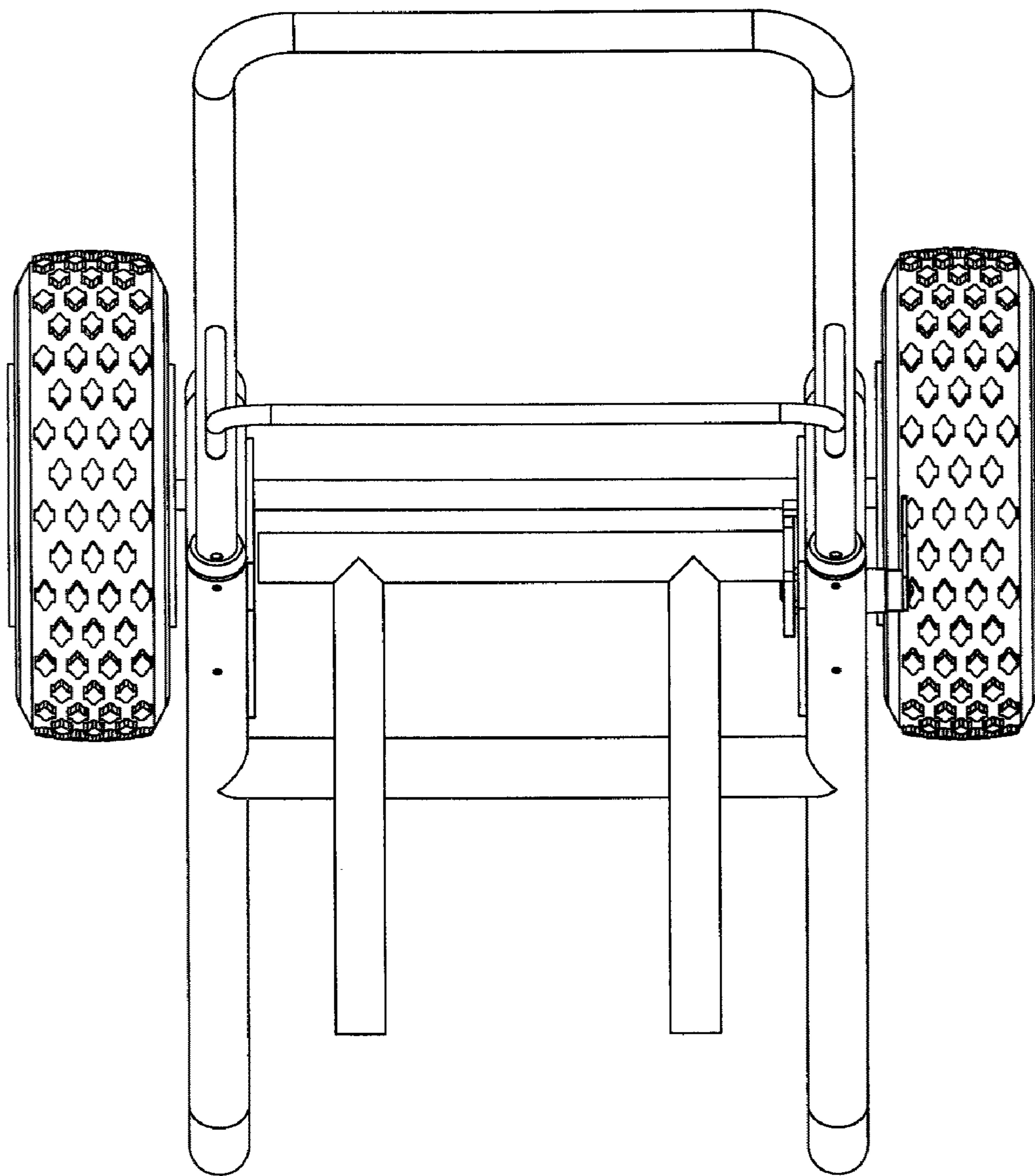


Fig. 1



**Fig. 2**

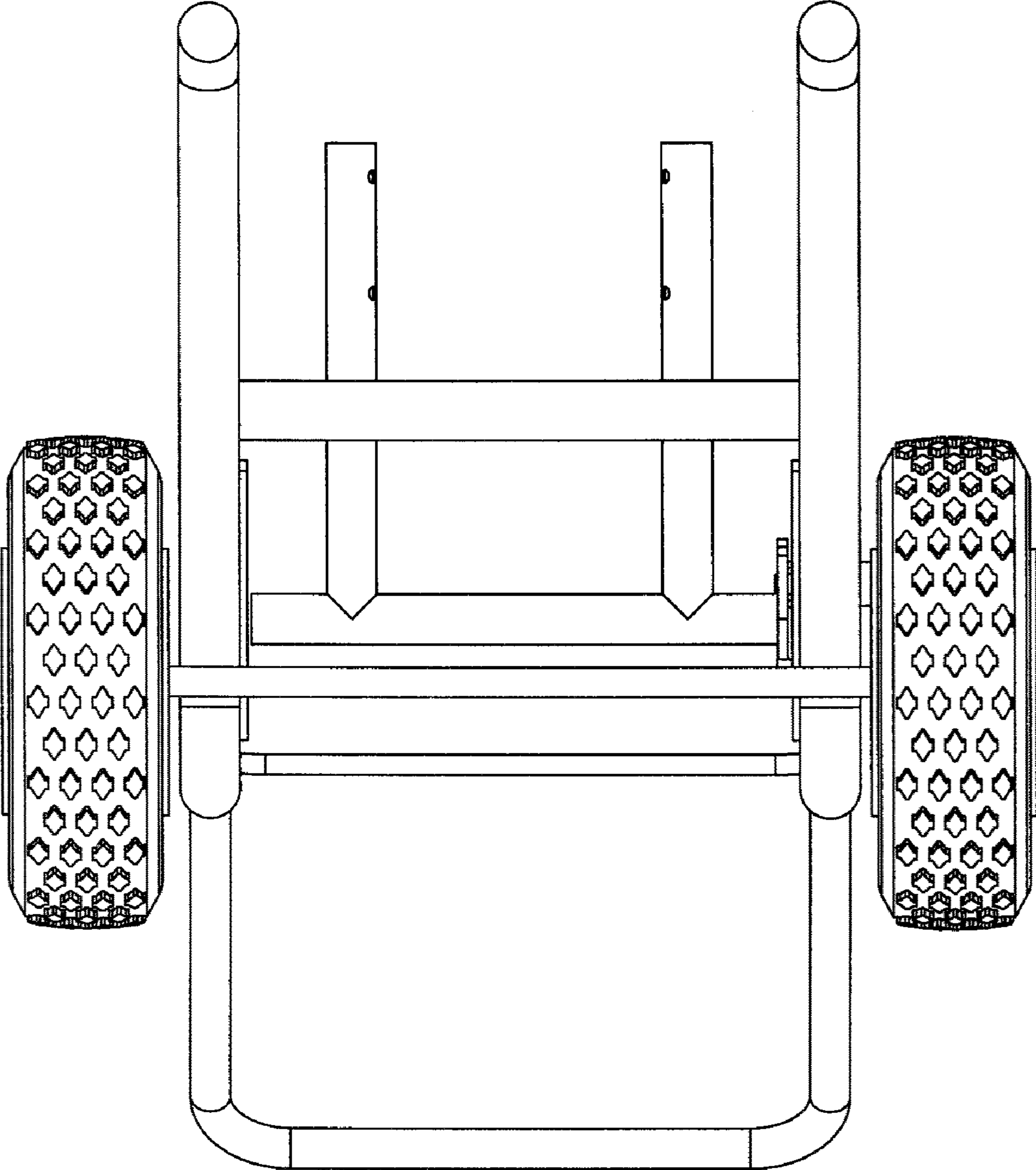


Fig. 3

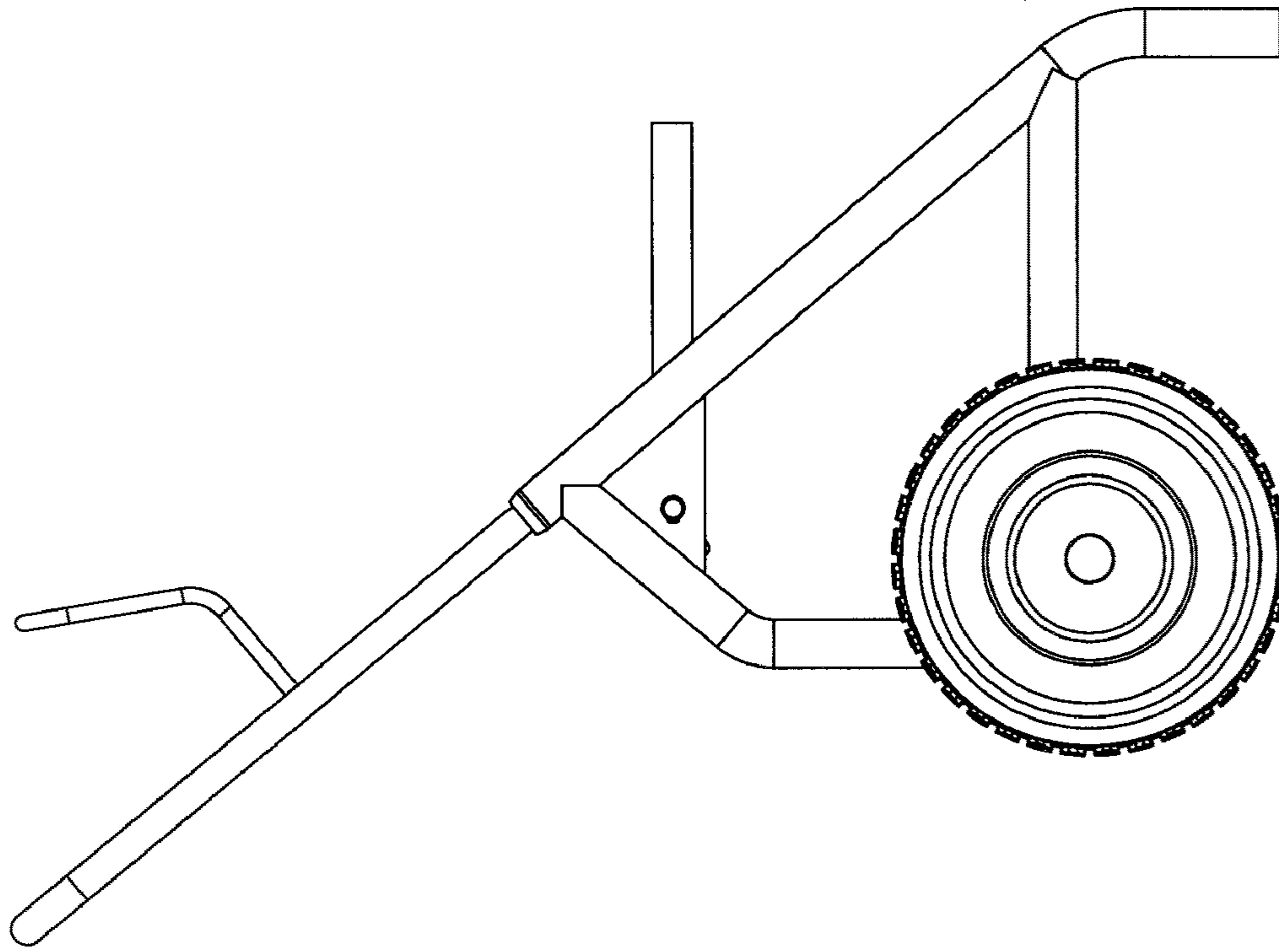


Fig. 5

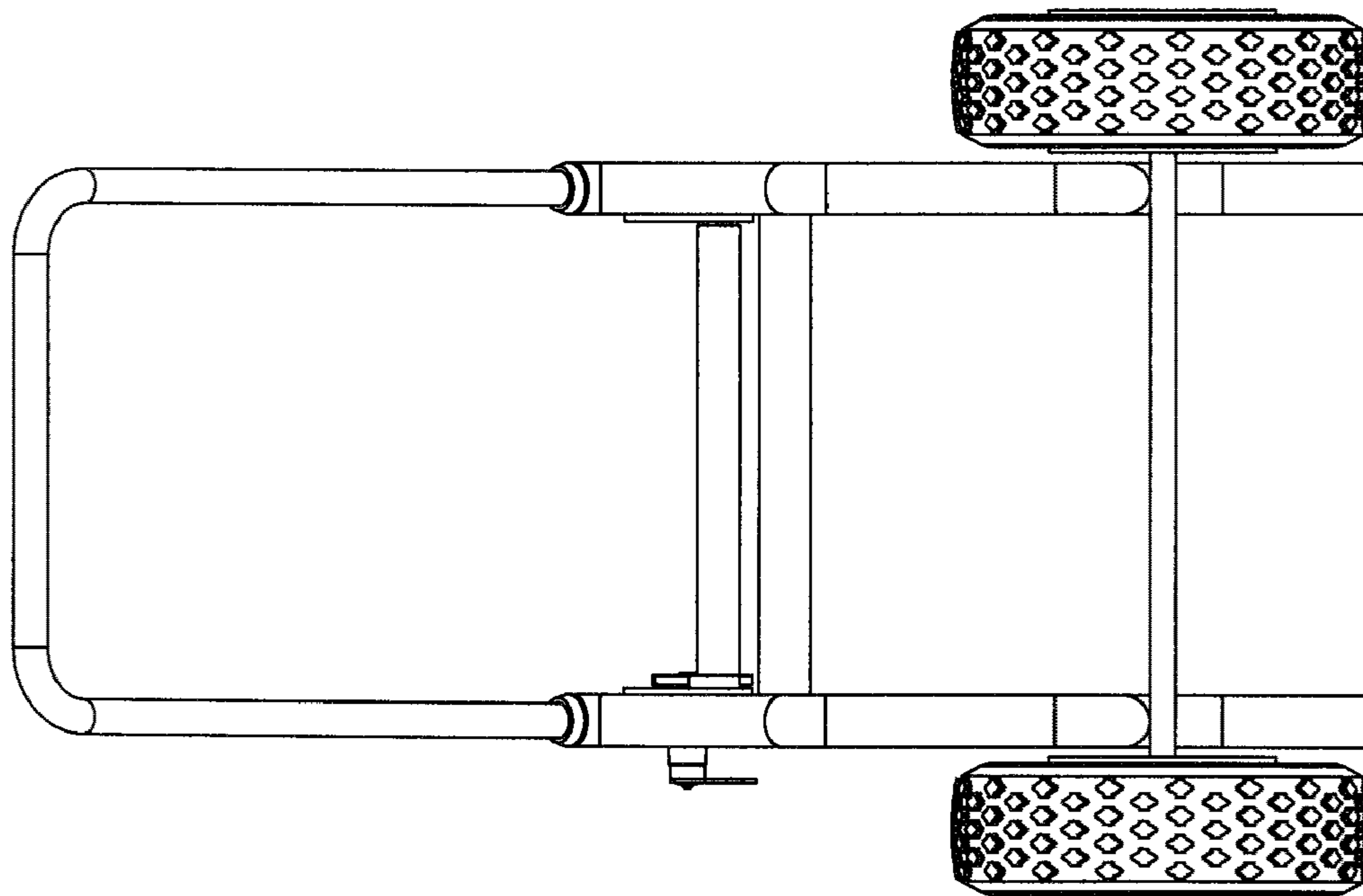


Fig. 4

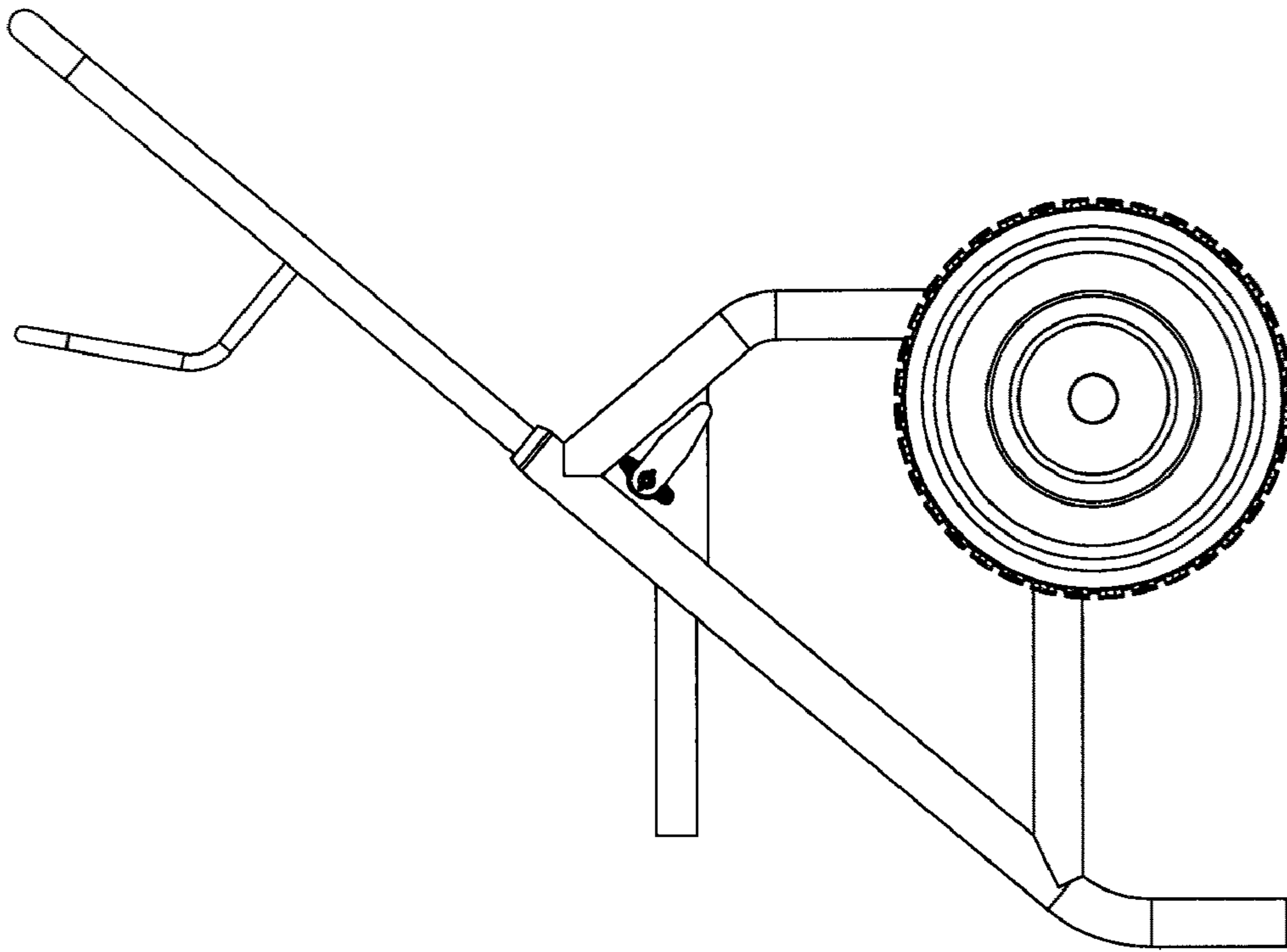


Fig. 6

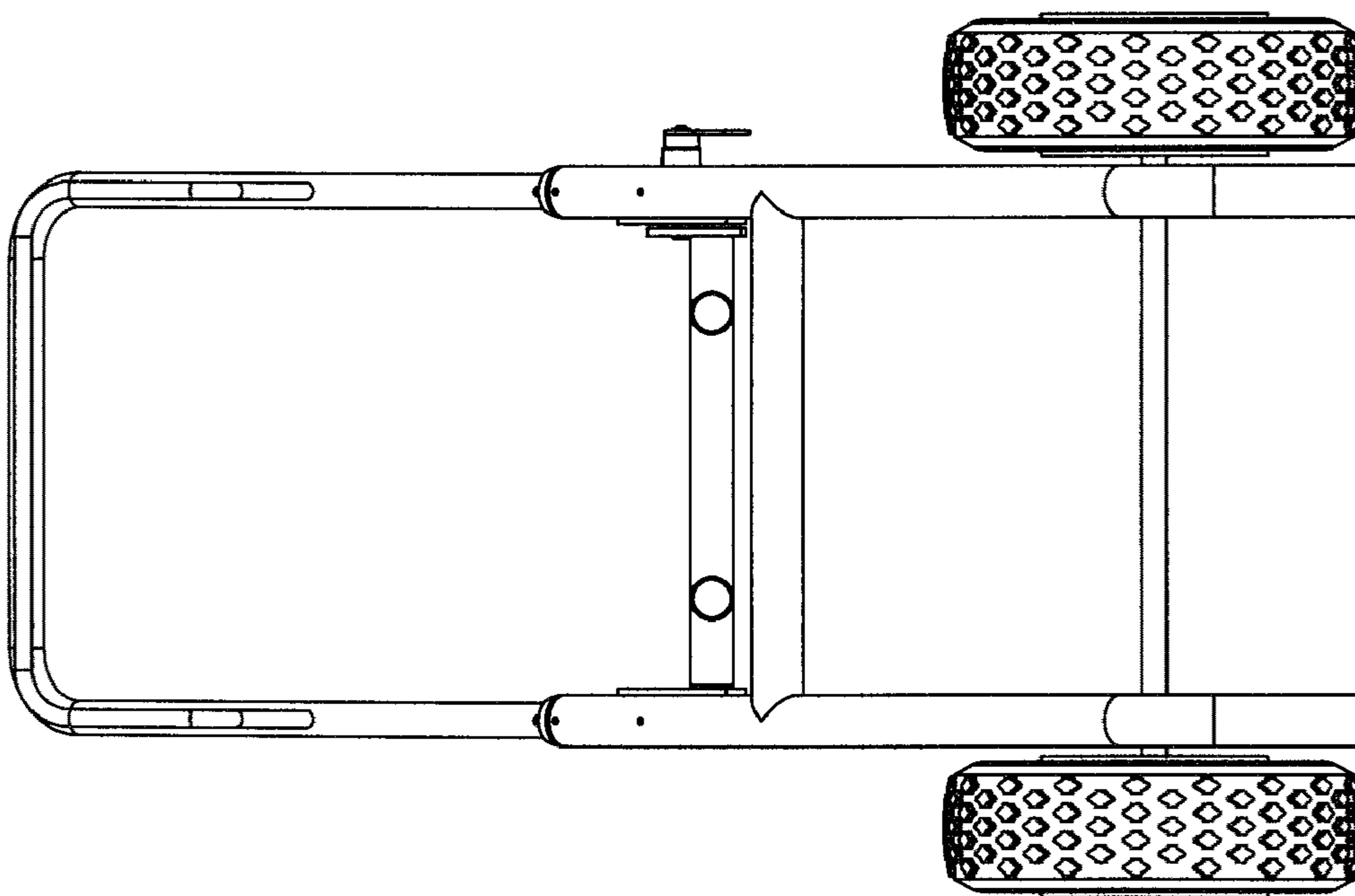


Fig. 7