



US00D570067S

(12) **United States Design Patent**
Chan

(10) **Patent No.:** **US D570,067 S**

(45) **Date of Patent:** **** May 27, 2008**

(54) **COMBINED POPCORN AND HOTDOG CART**

(76) Inventor: **Man Yan Chan**, Unit M, 12/F, Kaiser Estate, Phase 3, 11 Hok Yuen Street, Hunghom, Kowloon (HK)

(**) Term: **14 Years**

(21) Appl. No.: **29/280,537**

(22) Filed: **May 31, 2007**

(51) **LOC (8) Cl.** **12-02**

(52) **U.S. Cl.** **D34/14**

(58) **Field of Classification Search** D34/12-27;
296/22, 24.36; 280/47.35, 47.26, 79.11,
280/79.3; D6/460, 474, 481

See application file for complete search history.

(56) **References Cited**

U.S. PATENT DOCUMENTS

- 462,320 A * 11/1891 Miller 126/268
- D263,126 S * 2/1982 Mauzy D34/14
- D460,846 S * 7/2002 Helman et al. D34/14
- 6,460,451 B1 * 10/2002 Helman et al. 99/323.5

- D469,234 S * 1/2003 Bond et al. D34/14
- D489,505 S * 5/2004 Bond et al. D34/14
- D504,000 S * 4/2005 Underbrink et al. D34/21

* cited by examiner

Primary Examiner—Cynthia E Ramirez

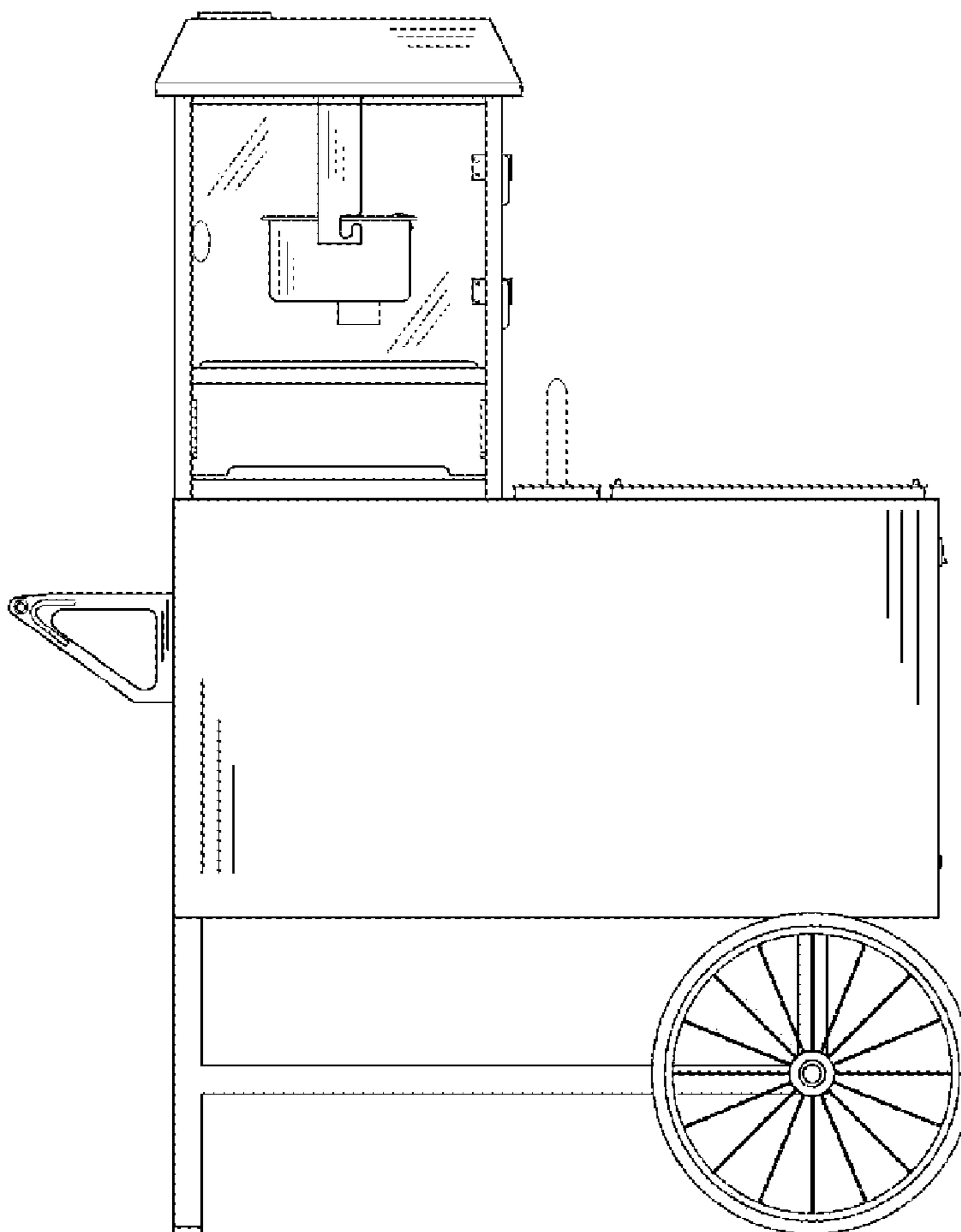
(57) **CLAIM**

The ornamental design for a combined popcorn and hotdog cart, as shown.

DESCRIPTION

FIG. 1 is a front elevational view of a combined popcorn and hotdog cart showing my new design;
 FIG. 2 is a rear elevational view thereof;
 FIG. 3 is a left side view thereof;
 FIG. 4 is a right side view thereof;
 FIG. 5 is a top plan view thereof;
 FIG. 6 is a bottom plan view thereof; and,
 FIG. 7 is a perspective view thereof.

1 Claim, 2 Drawing Sheets



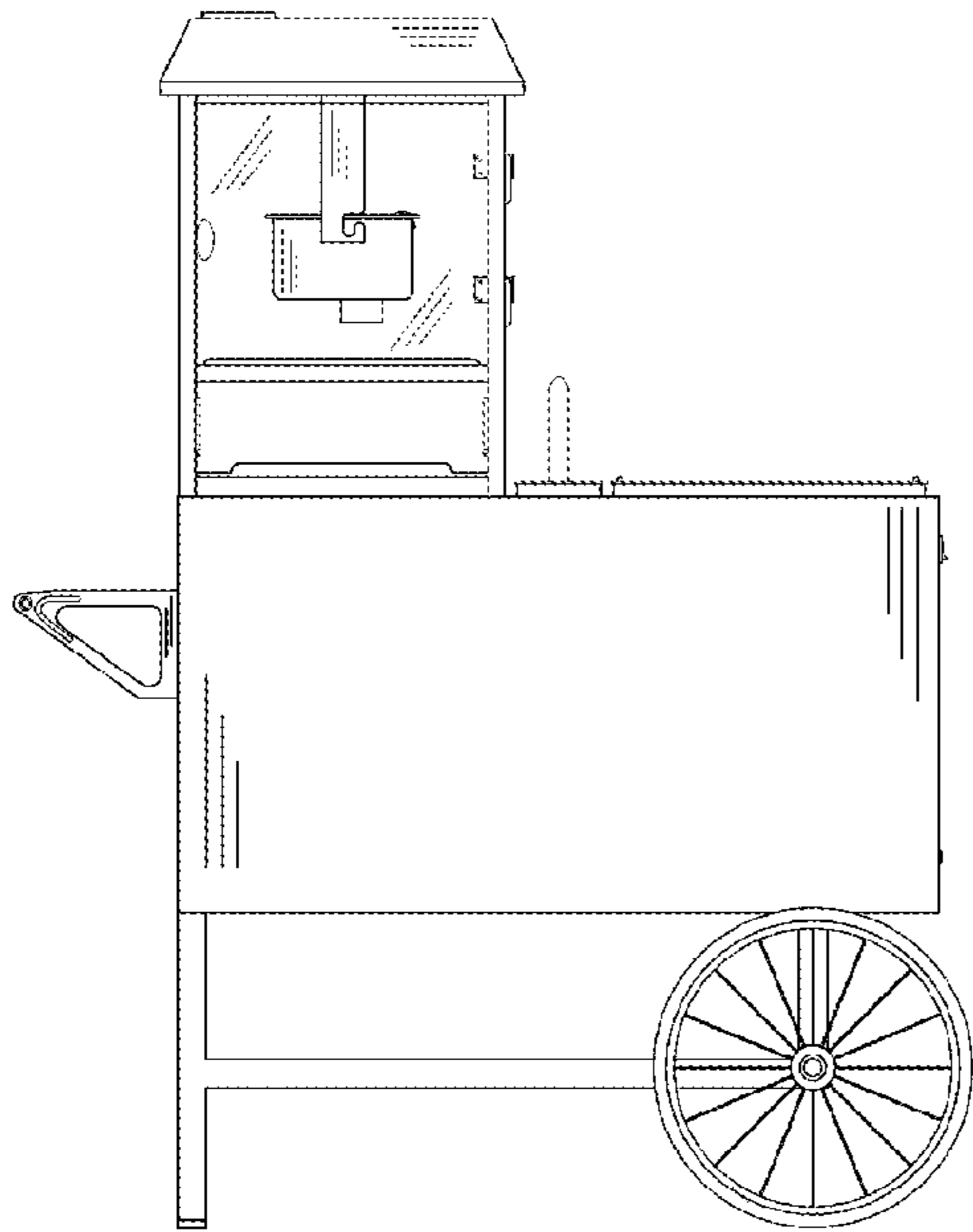


FIG. 1

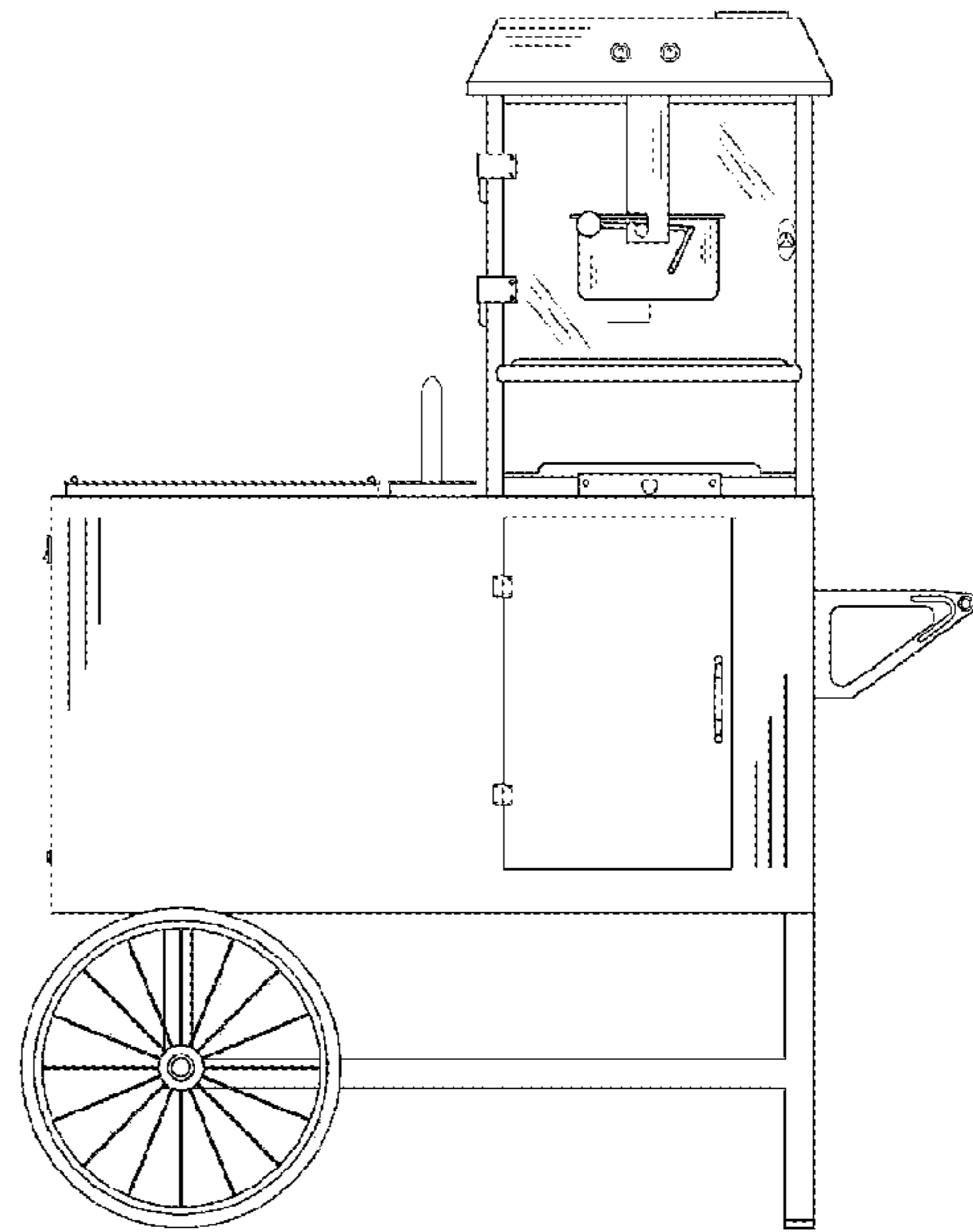


FIG. 2

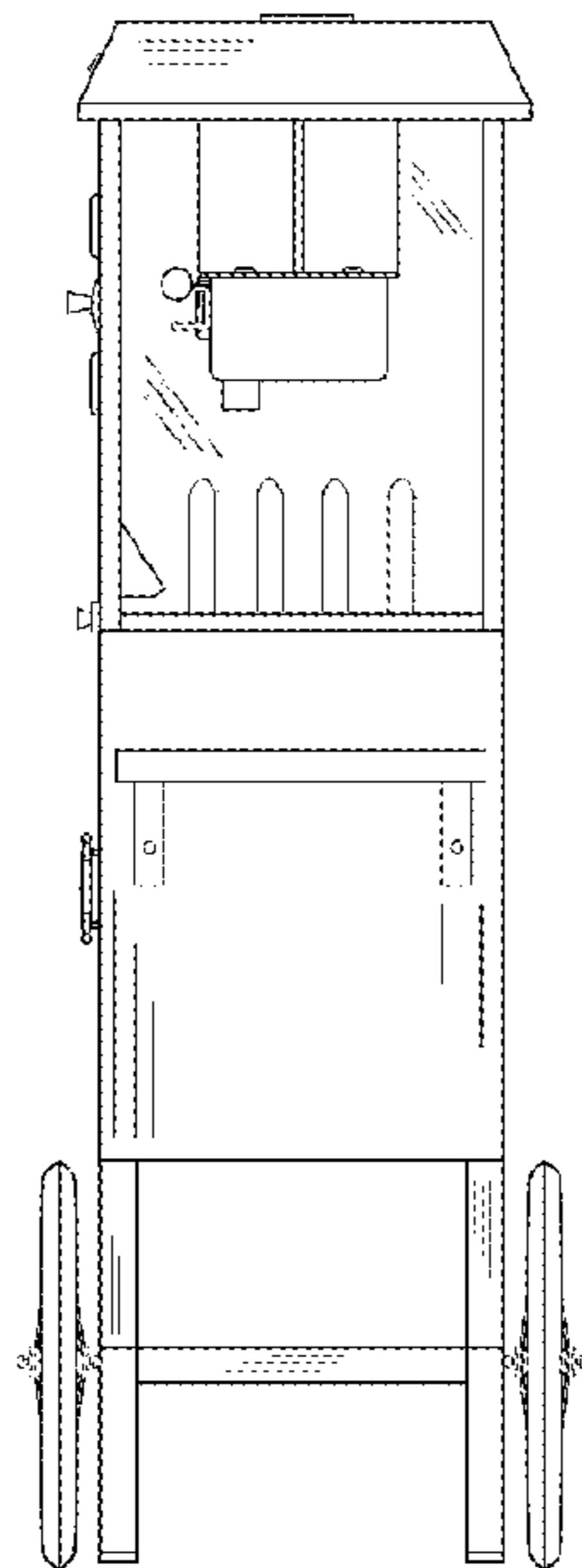


FIG. 3

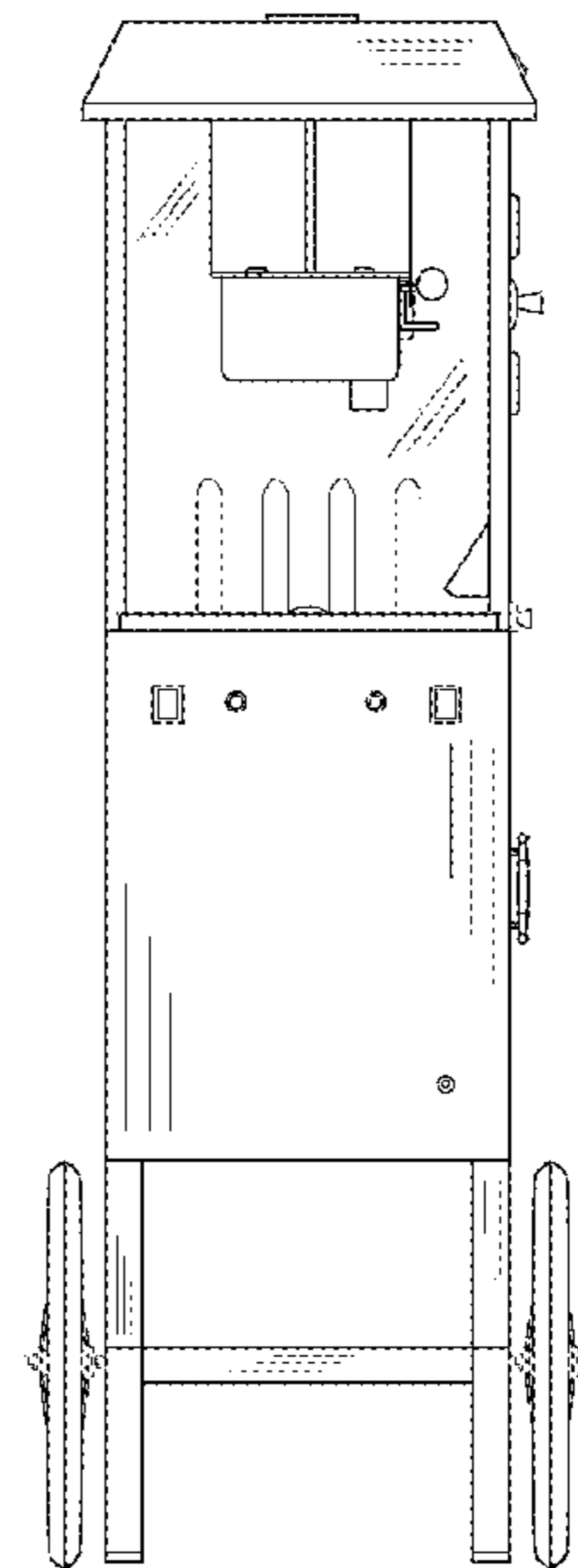


FIG. 4

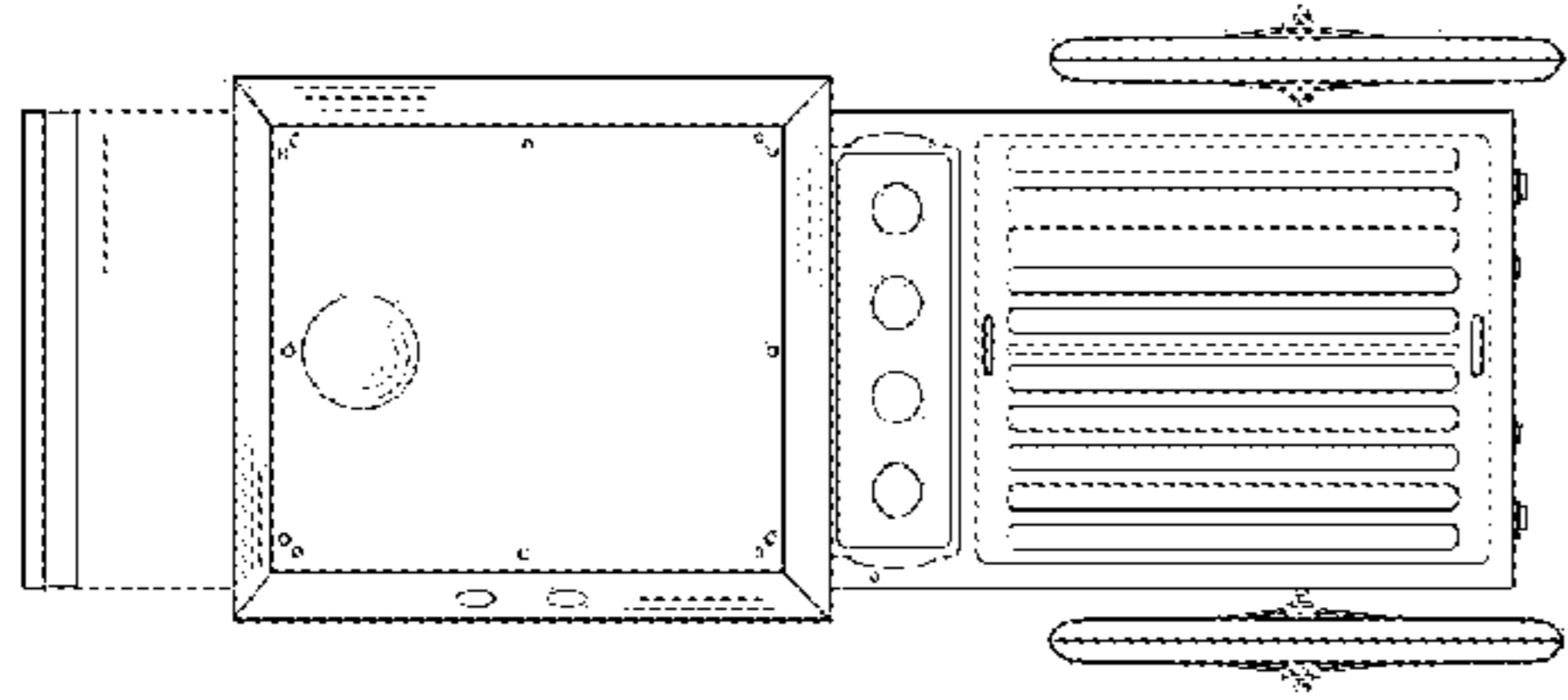


FIG. 5

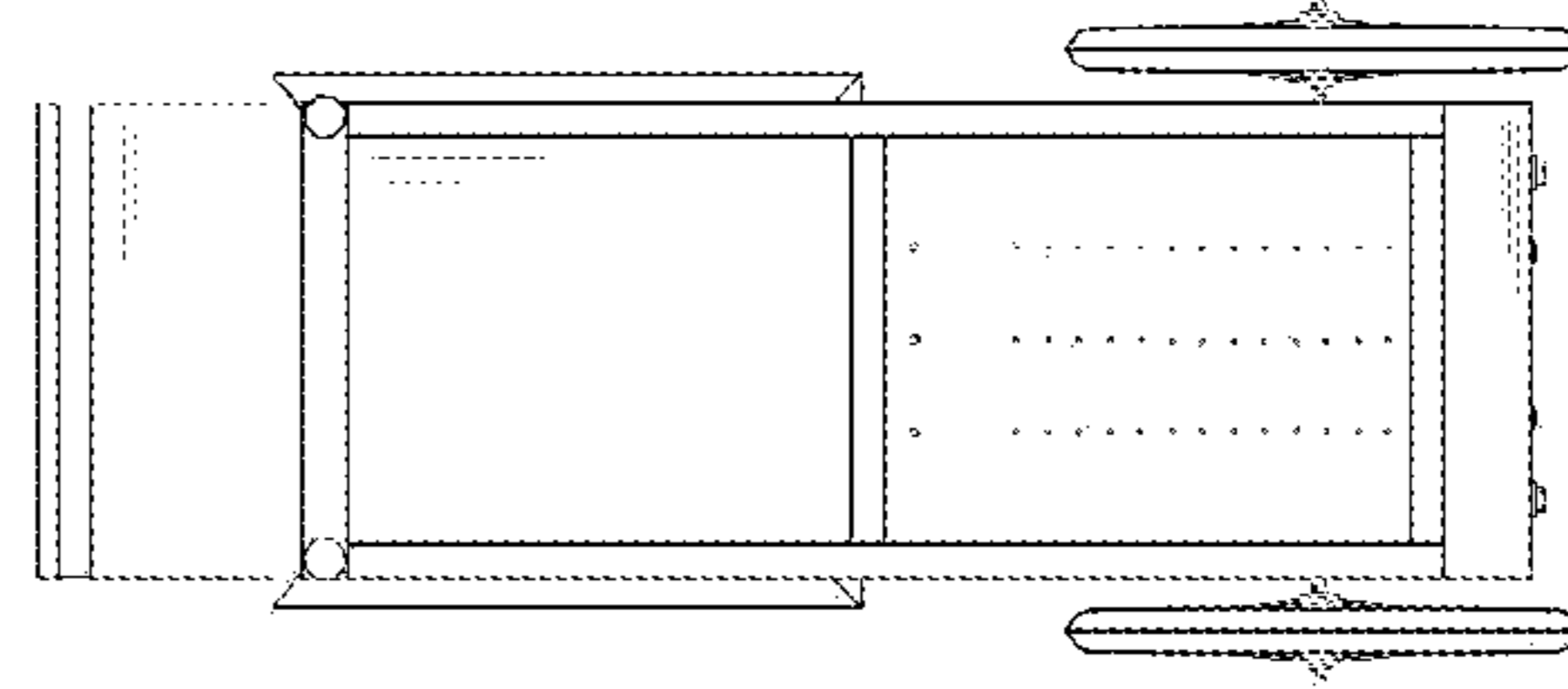


FIG. 6

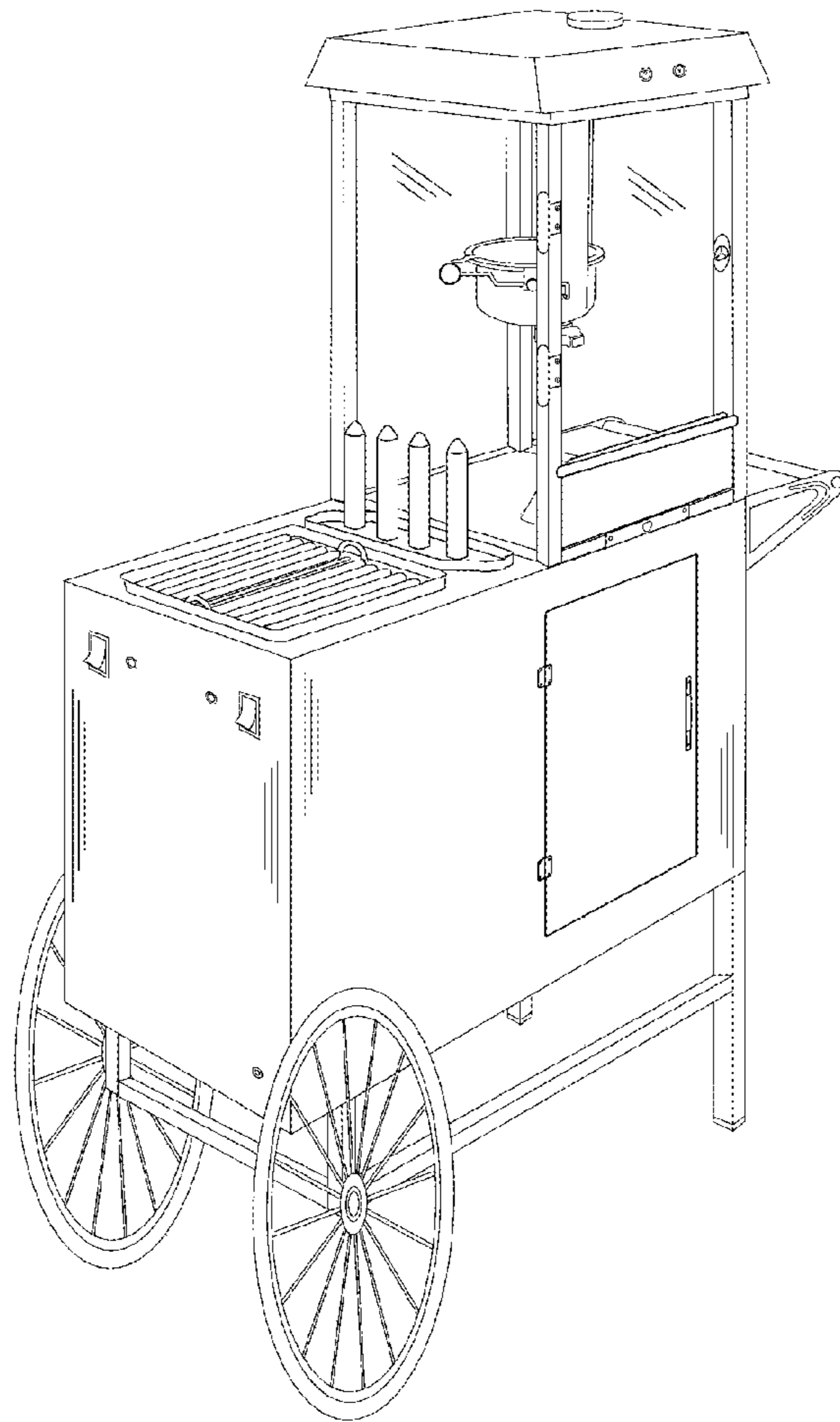


FIG. 7