

US00D570063S

(12) **United States Design Patent** (10) **Patent No.:** **US D570,063 S**
Manak (45) **Date of Patent:** **** May 27, 2008**

(54) **3-IN-1 SCRAPER TOOL**

(76) Inventor: **Jan Manak**, 11167 Lantern Rd., Fishers, IN (US) 46038

(**) Term: **14 Years**

(21) Appl. No.: **29/298,319**

(22) Filed: **Dec. 3, 2007**

(51) **LOC (8) Cl.** **07-05**

(52) **U.S. Cl.** **D32/49**

(58) **Field of Classification Search** D32/46,
D32/48-49, 43; D8/88, 14; D7/181-185;
15/104.03, 104.04, 105, 236.03, 236.04;
30/169

See application file for complete search history.

(56) **References Cited**

U.S. PATENT DOCUMENTS

D313,682 S *	1/1991	Martin et al.	D32/49
D368,345 S *	3/1996	Fisher	D32/49
5,740,577 A *	4/1998	Wade	15/104.1
D431,101 S *	9/2000	Gracy	D32/49
6,557,264 B1 *	5/2003	Maeda	30/327
6,918,321 B1 *	7/2005	Whittaker	81/45
D527,855 S *	9/2006	Williams	D32/49
D547,627 S *	7/2007	Meads	D8/45
D549,413 S *	8/2007	Froeschl	D32/49
D550,417 S *	9/2007	Froeschl	D32/49

* cited by examiner

Primary Examiner—Pamela J. Burgess

(74) *Attorney, Agent, or Firm*—Woodard, Emhardt, Moriarty, McNett & Henry LLP

(57) **CLAIM**

The ornamental design for a 3-in-1 scraper tool, as shown and described.

DESCRIPTION

FIG. 1 is a perspective view of a first embodiment of a 3-in-1 scraper tool showing my new design.

FIG. 2 is a front elevation view of the 3-in-1 scraper tool shown in FIG. 1, the opposed view being a mirror image thereof.

FIG. 3 is a top view of the 3-in-1 scraper tool shown in FIG. 2.

FIG. 4 is a bottom view of the 3-in-1 scraper tool shown in FIG. 2.

FIG. 5 is a side elevation view of the 3-in-1 scraper tool as seen from the left side of FIG. 2.

FIG. 6 is a side elevation view of the 3-in-1 scraper tool as seen from the right side of FIG. 2.

FIG. 7 is a perspective view of a second embodiment of a 3-in-1 scraper tool showing my new design.

FIG. 8 is a front elevation view of the 3-in-1 scraper tool shown in FIG. 7, the opposed view being a mirror image thereof.

FIG. 9 is a top view of the 3-in-1 scraper tool shown in FIG. 8.

FIG. 10 is a bottom view of the 3-in-1 scraper tool shown in FIG. 8.

FIG. 11 is a side elevation view of the 3-in-1 scraper tool as seen from the left side of FIG. 8.

FIG. 12 is a side elevation view of the 3-in-1 scraper tool as seen from the right side of FIG. 8.

FIG. 13 is a perspective view of a third embodiment of a 3-in-1 scraper tool showing my new design.

FIG. 14 is a front elevation view of the 3-in-1 scraper tool shown in FIG. 13, the opposed view being a mirror image thereof.

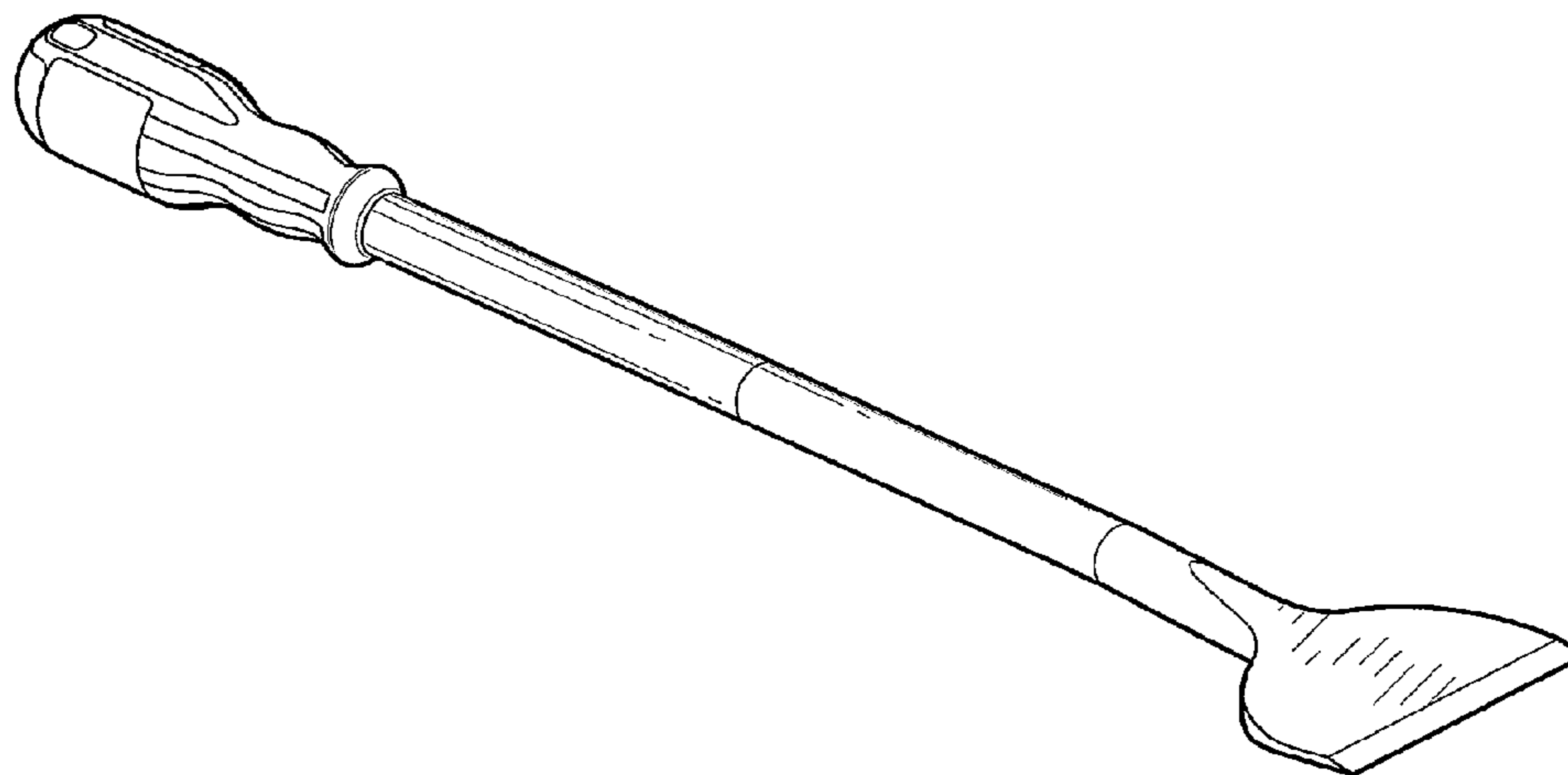
FIG. 15 is a top view of the 3-in-1 scraper tool shown in FIG. 14.

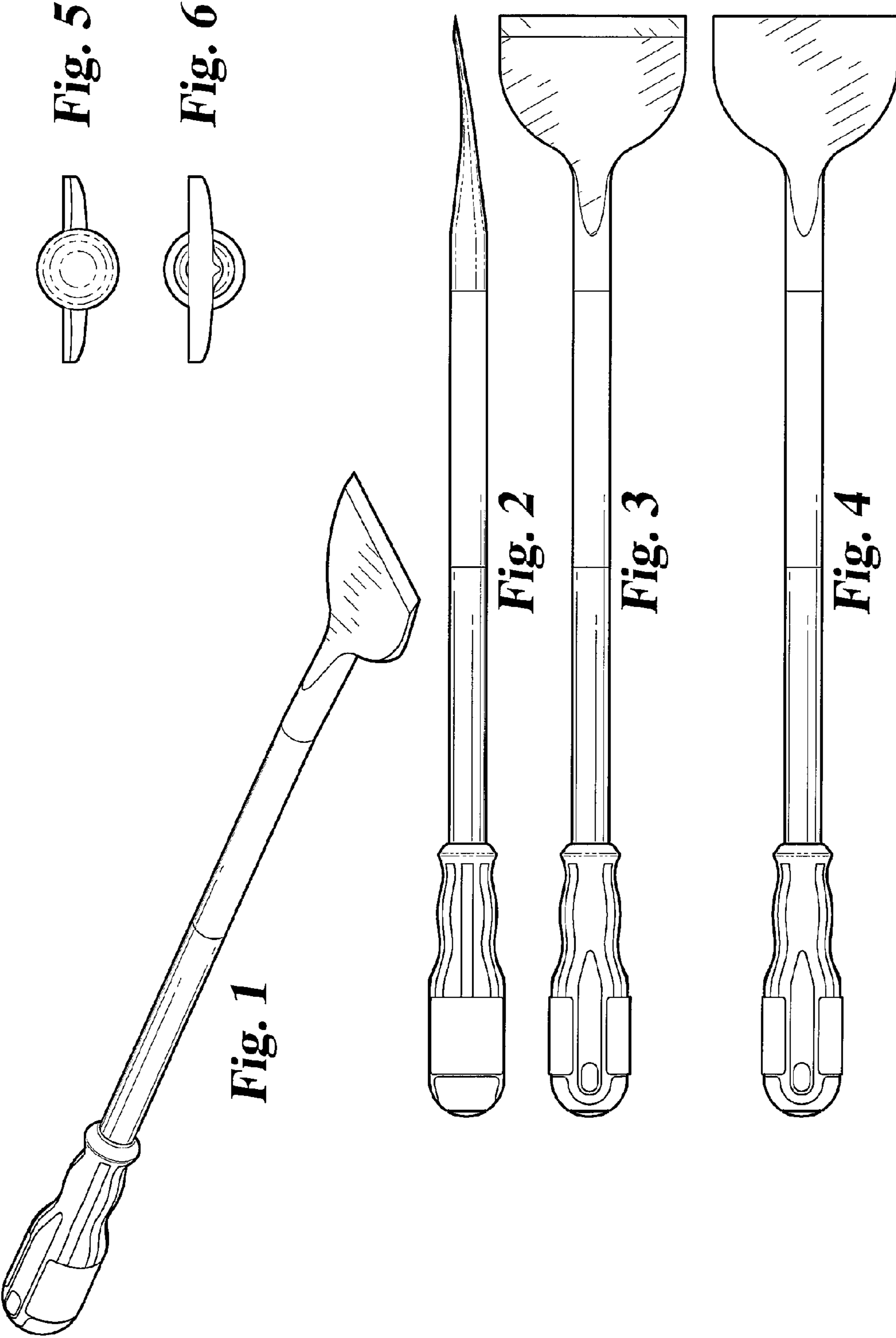
FIG. 16 is a bottom view of the 3-in-1 scraper tool shown in FIG. 14.

FIG. 17 is a side elevation view of the 3-in-1 scraper tool as seen from the left side of FIG. 14; and,

FIG. 18 is a side elevation view of the 3-in-1 scraper tool as seen from the right side of FIG. 14.

1 Claim, 3 Drawing Sheets





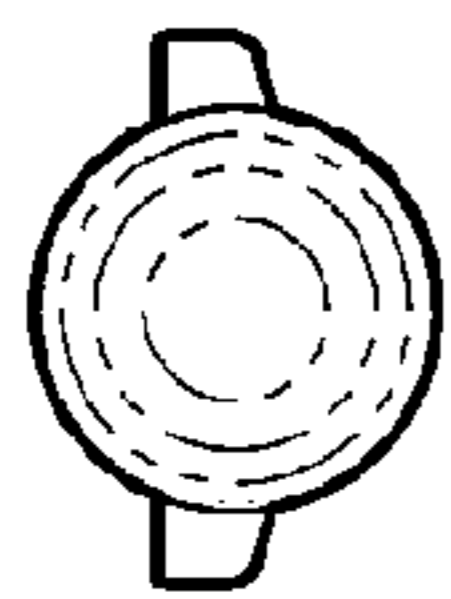


Fig. 11

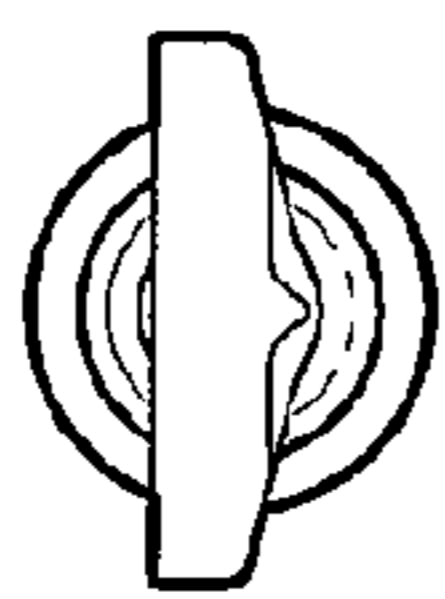


Fig. 12

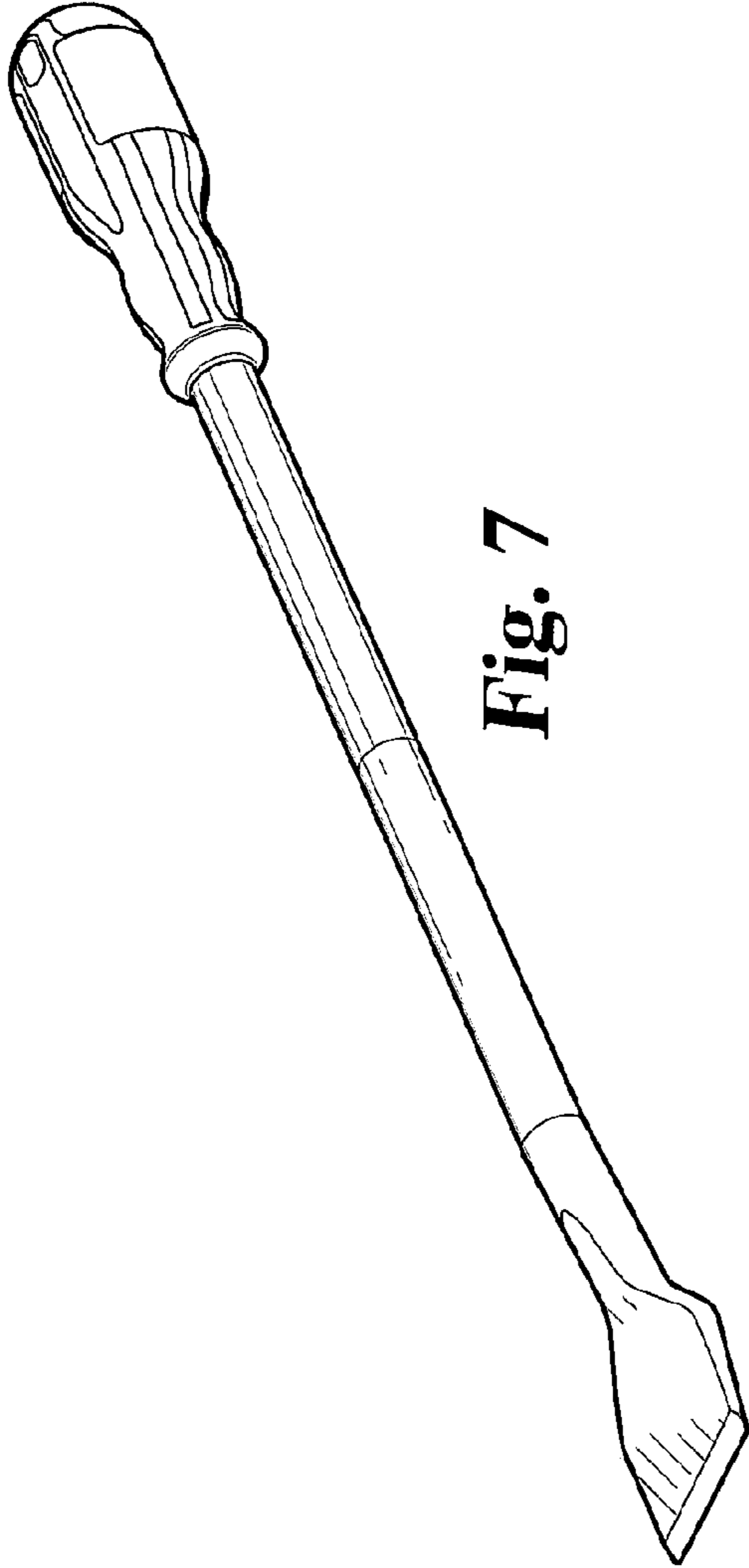


Fig. 7

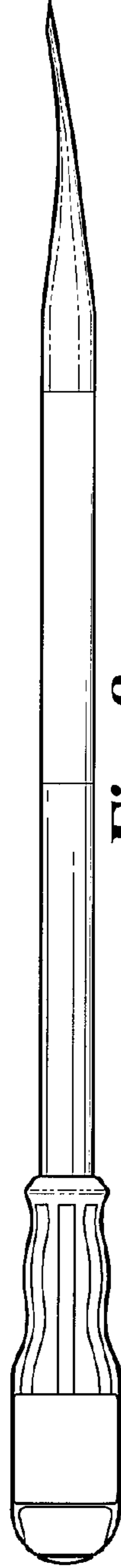


Fig. 8

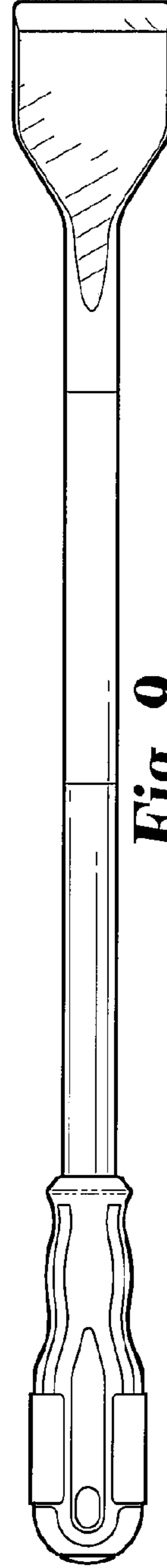


Fig. 9

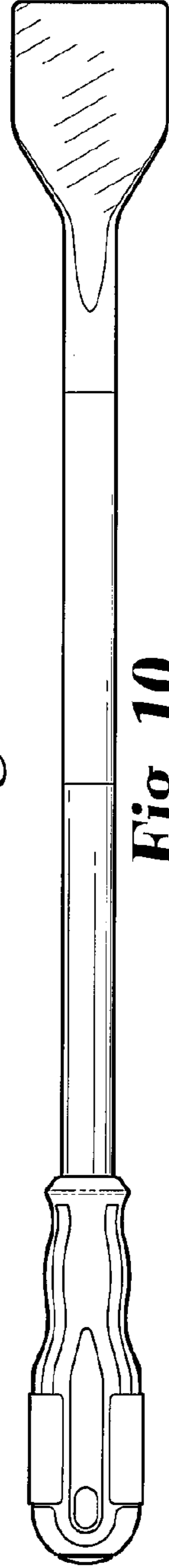


Fig. 10

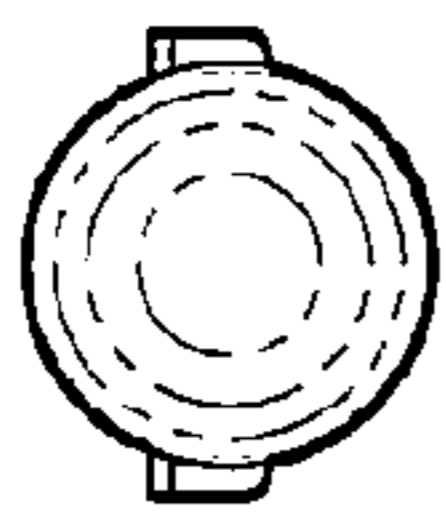


Fig. 17



Fig. 18

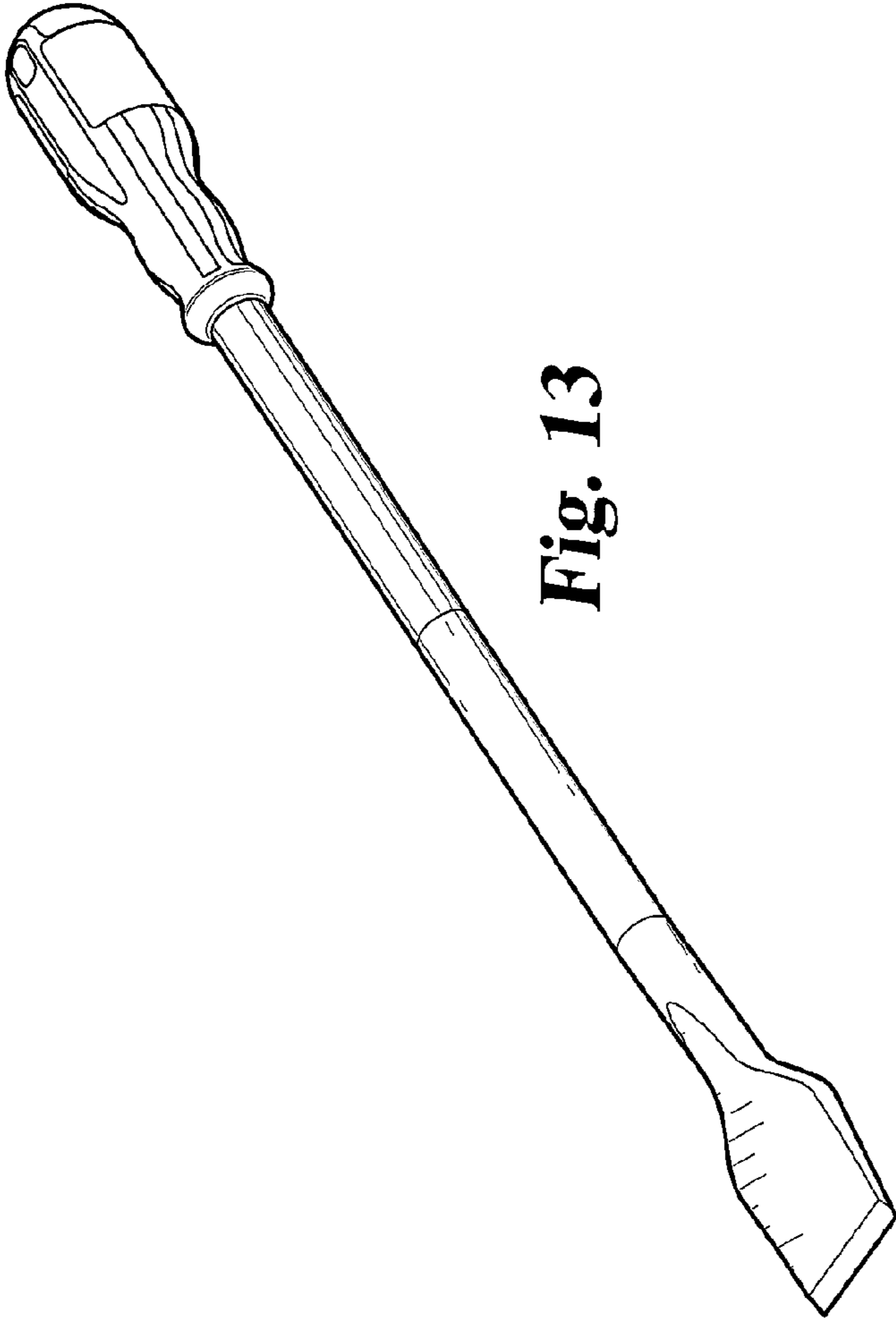


Fig. 13

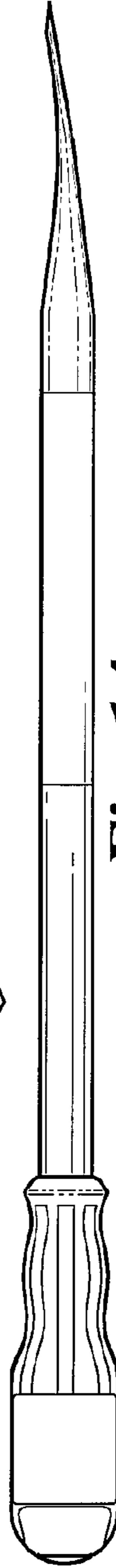


Fig. 14



Fig. 15

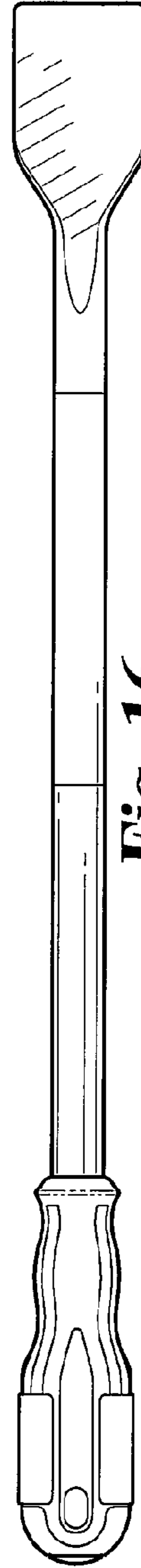


Fig. 16