



US00D570061S

(12) **United States Design Patent** (10) **Patent No.:** **US D570,061 S**  
**Busse et al.** (45) **Date of Patent:** **\*\* May 27, 2008**

(54) **SWEEPING MACHINE**

(75) Inventors: **Rido Busse**, Elchingen (DE); **Hermann Haaga**, Kirchheim (DE)

(73) Assignee: **Ing. Haaga Werkzeugbau GmbH & Co. KG**, Kirchheim/Teck (DE)

(\*\*) Term: **14 Years**

(21) Appl. No.: **29/272,418**

(22) Filed: **Feb. 8, 2007**

(51) **LOC (8) Cl.** ..... **15-05**

(52) **U.S. Cl.** ..... **D32/19**

(58) **Field of Classification Search** ..... D32/1,  
D32/15, 16, 22, 31, 19, 20, 17, 18, 21; 15/42,  
15/49.1, 50.1, 50.3, 52.1, 79.1  
See application file for complete search history.

(56) **References Cited**

**U.S. PATENT DOCUMENTS**

2,872,434	A *	2/1959	Parker et al.	.....	528/41
4,071,920	A *	2/1978	Block	.....	15/52.1
D249,692	S *	9/1978	Bothun	.....	D32/19
4,366,593	A *	1/1983	Parikh	.....	15/52.1
D289,933	S *	5/1987	Berfield et al.	.....	D32/20
D290,055	S *	5/1987	Berfield et al.	.....	D32/19
D497,694	S *	10/2004	Wareham et al.	.....	D32/19

**OTHER PUBLICATIONS**

<http://www.cleanstore.co.uk/images/large/2998a.JPG> Sep. 18, 2007.\*

<http://akamai.globalsources.com.edgesuite.net/f/593/3445/5d/pdt.static.globalsources.com/IMAGES/PDT> Sep. 19, 2007.\*

[http://www.composters.com/im/141/haaga\\_sweepers\\_large.jpg](http://www.composters.com/im/141/haaga_sweepers_large.jpg) Sep. 19, 2007.\*

<http://www.hoover.com/retrieveImage.aspx?code=LG&model=L1405---&width=218> Sep. 19, 2007.\*

Agria Motorgartengeräte, *Für den Freizeitgärtner nur das Beste*, Gesamtkatalog 2000 Freizeitprogramm, 2000, p. 41.

Nilfisk Alto, *Katalog 2005*, 2005, p. 78.

\* cited by examiner

*Primary Examiner*—Louis S. Zarfes

*Assistant Examiner*—Kathleen Sims

(74) *Attorney, Agent, or Firm*—Crowell & Moring LLP

(57) **CLAIM**

The ornamental design for a sweeping machine, as shown and described.

**DESCRIPTION**

FIG. 1 is a perspective view of a sweeping machine according to our novel design;

FIG. 2 is a front elevation view thereof;

FIG. 3 is a rear elevation thereof;

FIG. 4 is a side elevation view thereof (the opposite side being a mirror image); and,

FIG. 5 is a top plan view thereof.

**1 Claim, 5 Drawing Sheets**

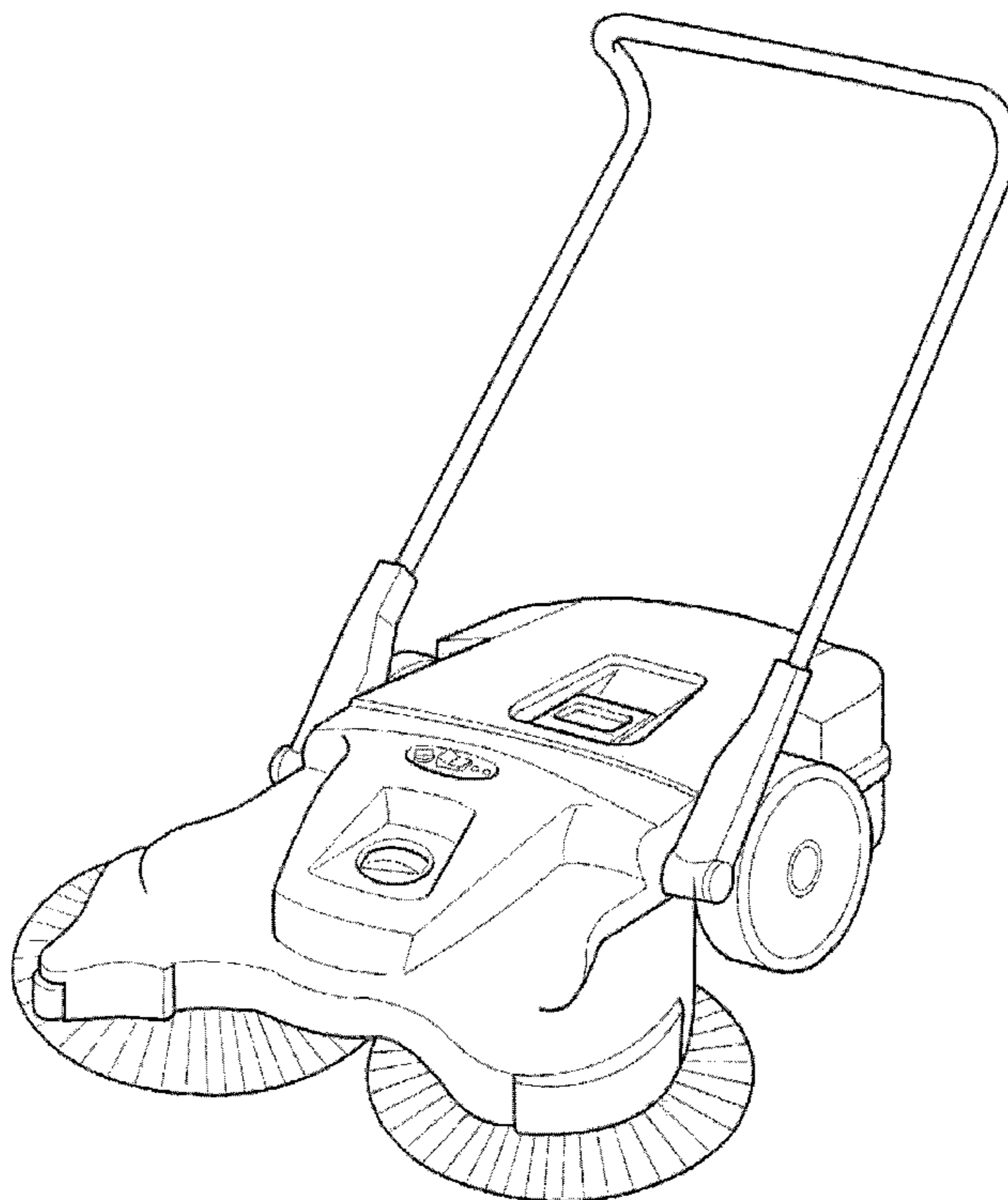


Fig. 1

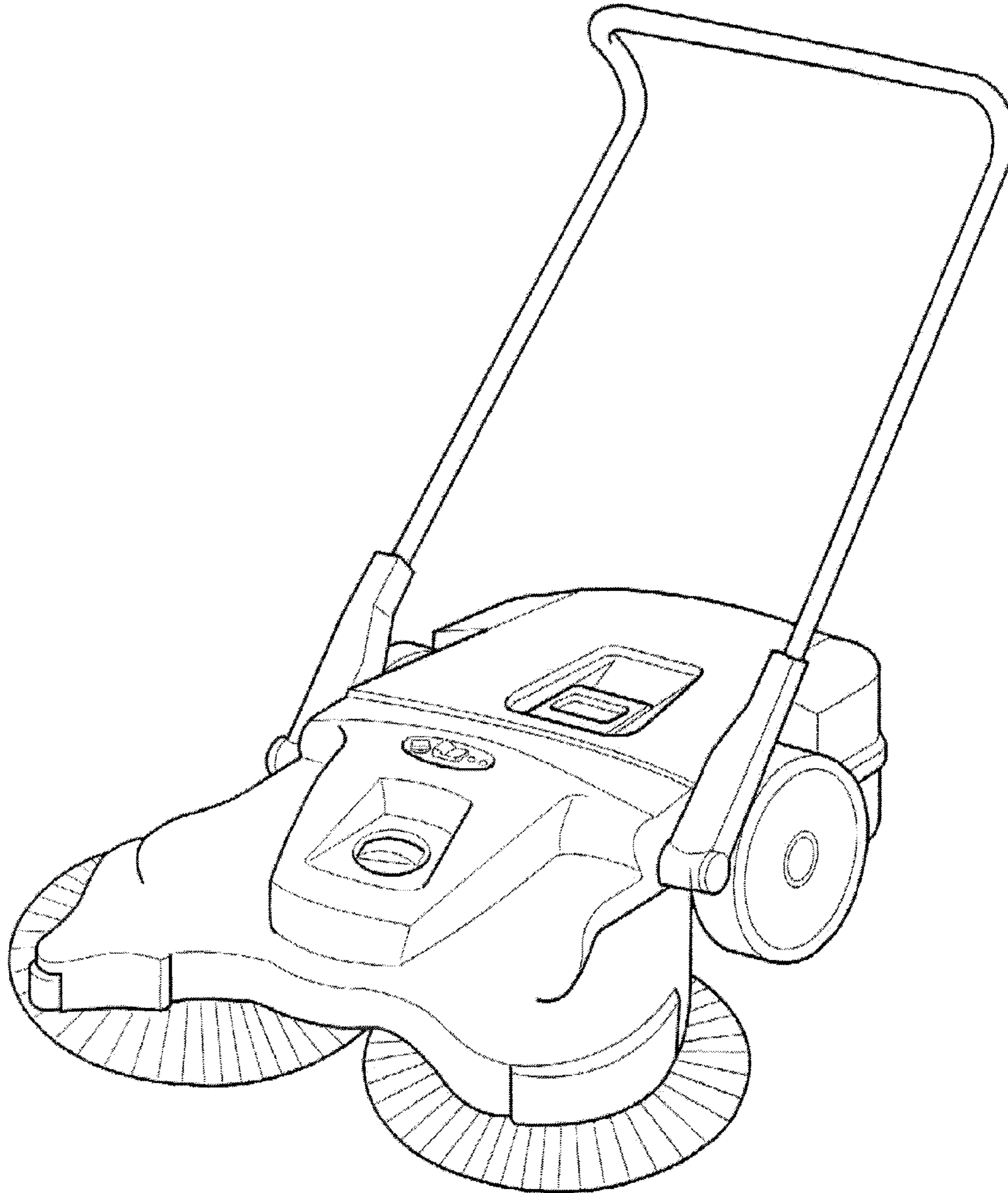


Fig.2

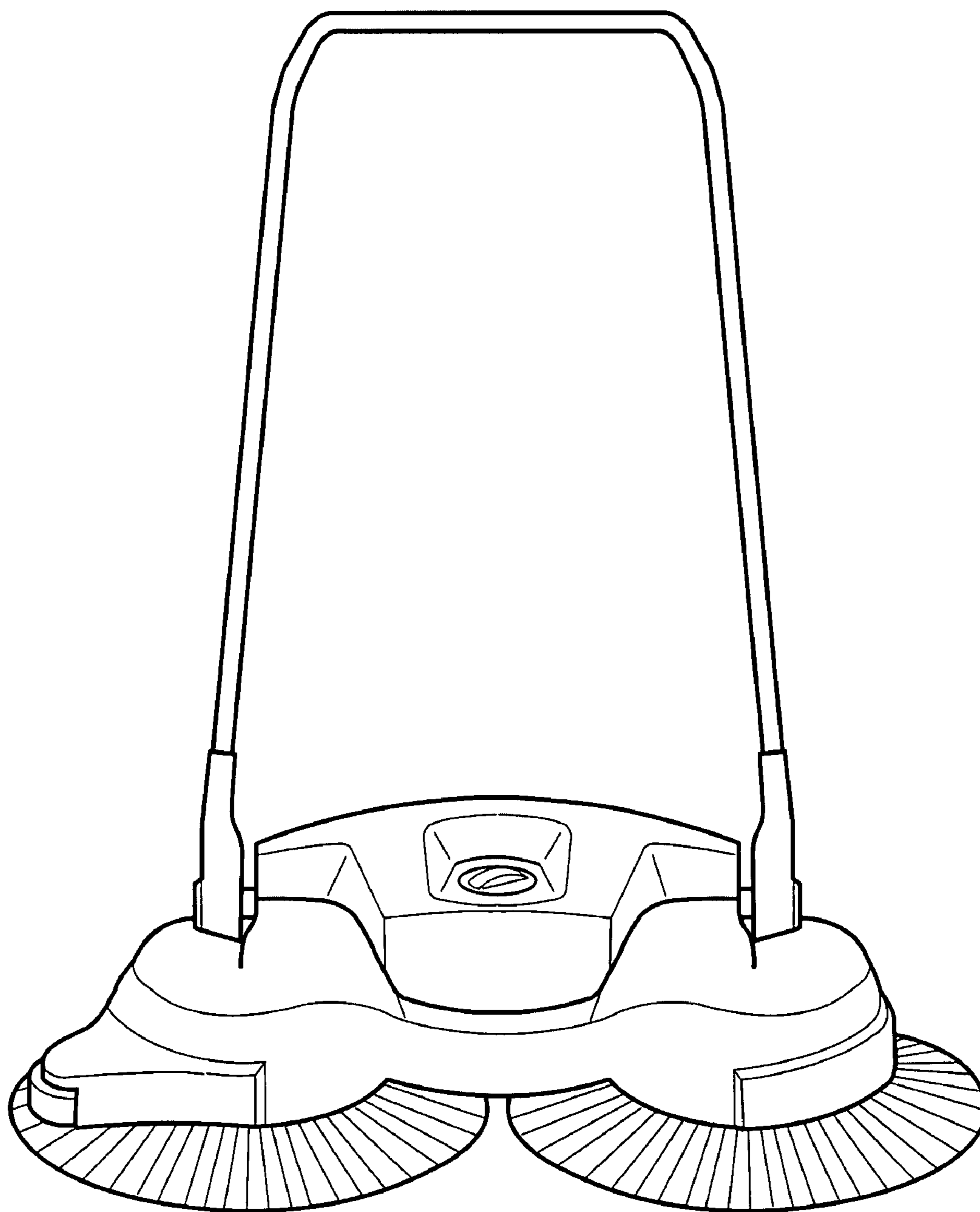


Fig.3

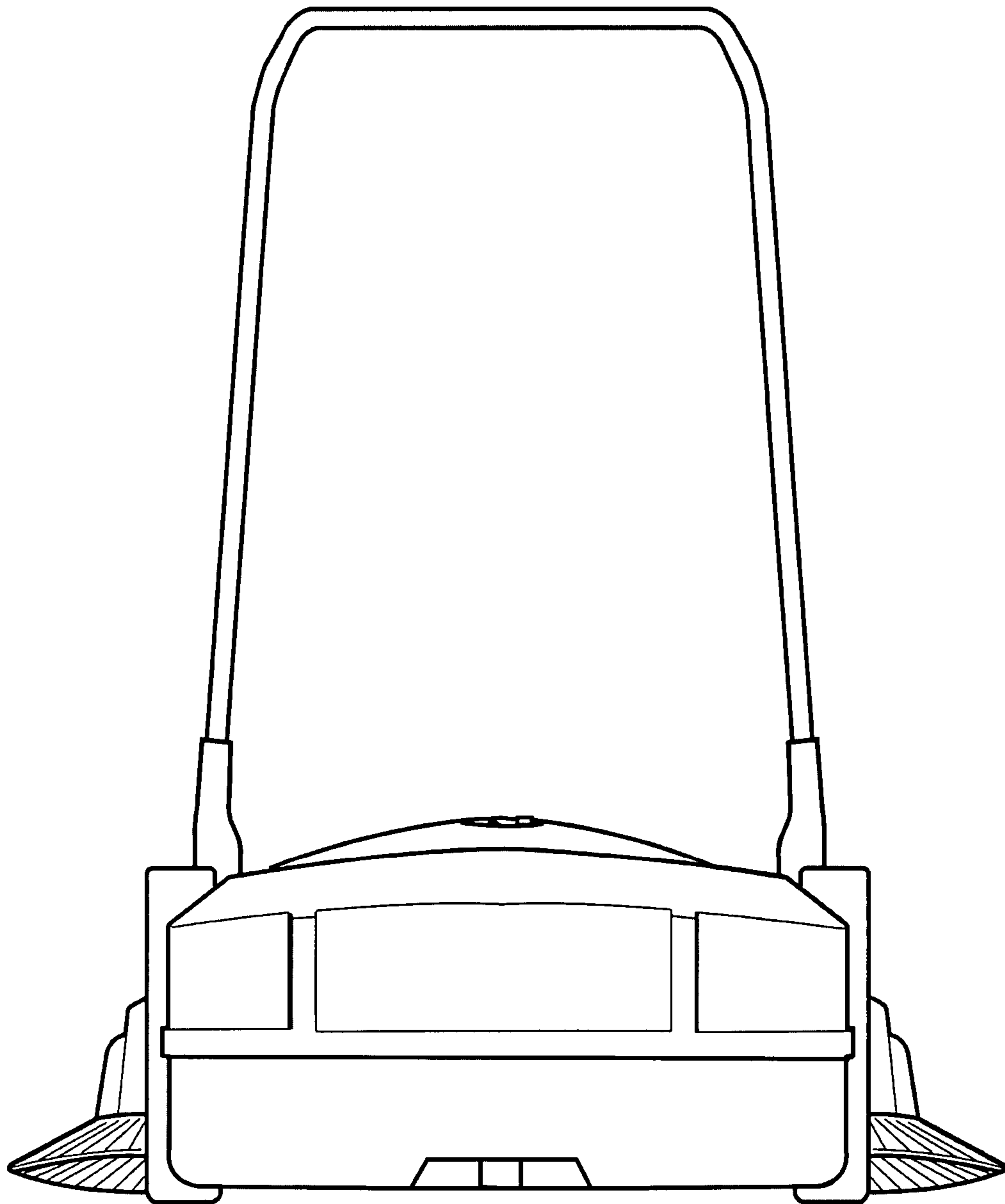


Fig.4

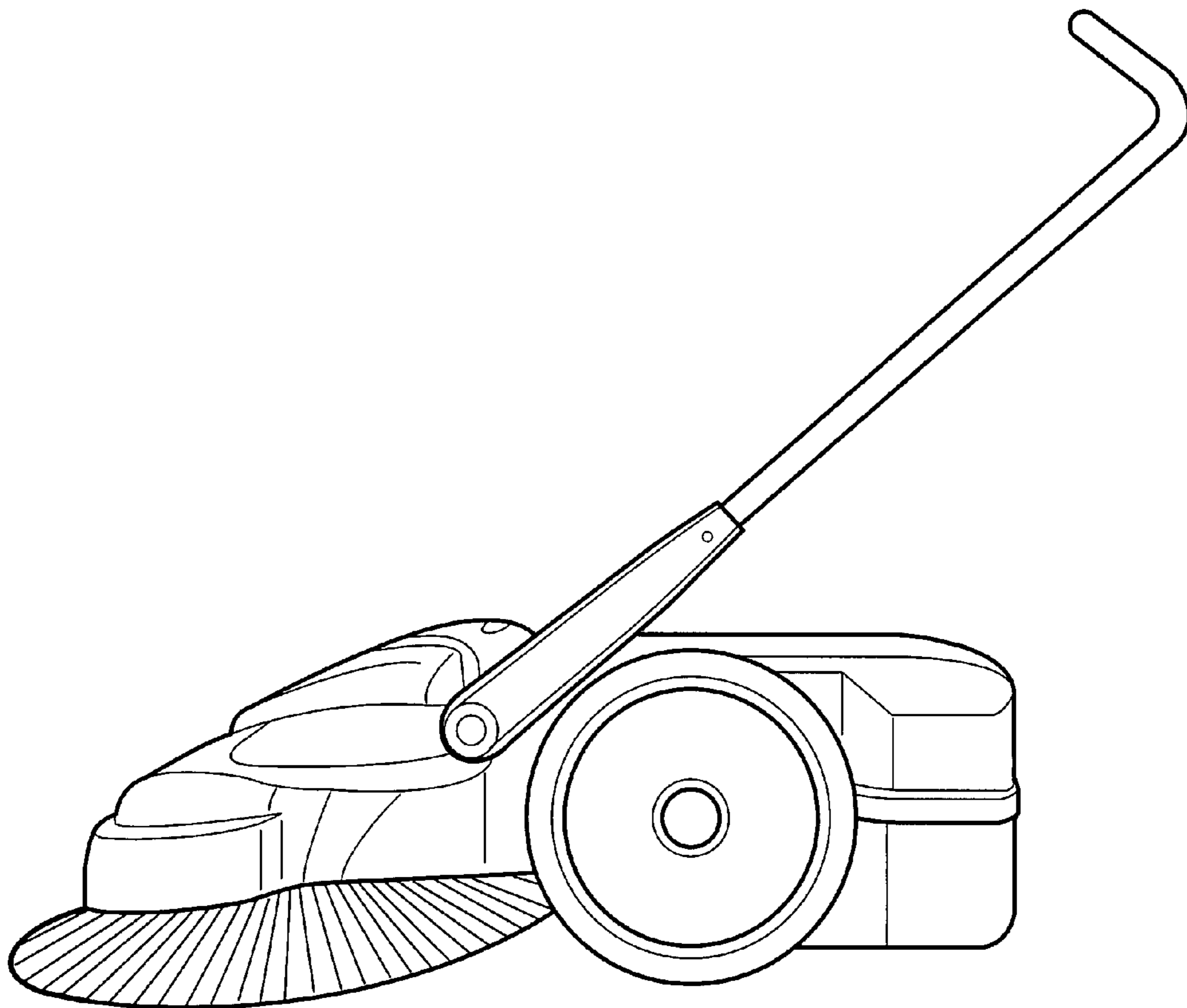


Fig. 5

