

US00D570060S

(12) **United States Design Patent** (10) **Patent No.:** **US D570,060 S**
Renner et al. (45) **Date of Patent:** **** May 27, 2008**

(54) **HIGH PRESSURE CLEANING DEVICE**

(75) Inventors: **Reinhard Renner**, Esslingen (DE);
Michael Meyer, Winterbach (DE)

(73) Assignee: **Alfred Kaercher GmbH & Co. KG**,
Winnenden (DE)

(**) Term: **14 Years**

(21) Appl. No.: **29/288,318**

(22) Filed: **Jun. 6, 2007**

(30) **Foreign Application Priority Data**

Dec. 26, 2006 (EM) 000643788

(51) **LOC (8) Cl.** **15-05**

(52) **U.S. Cl.** **D32/15**

(58) **Field of Classification Search** D32/1,
D32/15-16, 21-22, 25; 15/320-321, 323,
15/332, 347; D15/7; D34/16-27

See application file for complete search history.

(56) **References Cited**

U.S. PATENT DOCUMENTS

D481,838 S * 11/2003 Renner D32/15
D488,596 S * 4/2004 Cattaneo D32/15
D532,166 S * 11/2006 Reverberi D32/4
D551,812 S * 9/2007 Renner et al. D32/15
D556,959 S * 12/2007 Li D32/15

OTHER PUBLICATIONS

http://s7sears.com/is/image/Sears/07175202000?qlt=90,0&resMode=sharp&op_usm=0.9,0.5,0,0 Dec. 20, 2007.*
Extract from catalog of Alfred Kaercher GmbH & Co. KG, "Catalogue 2001/2002", cover, pp. 7, 18, 19 and last page (Jun. 2001).
Extract from catalog of Alfred Kaercher GmbH & Co. KG, "Programme 2002", cover, pp. 7, 10, 38, 40 and last page (Feb. 2002).

Extract from catalog of Alfred Kaercher GmbH & Co. KG, "Programme 2003", cover, pp. 7, 10, 11, 12, 13, 14, 48 and last page (Dec. 2002).

Extract from catalog of Alfred Kaercher GmbH & Co. KG, "Programme 2004", cover, pp. 5, 13, 14, 15, 17, 21, 68, 73, 177, 179 and last page (Feb. 2004).

Extract from catalog of Alfred Kaercher GmbH & Co. KG, "Programme 2005", cover, pp. 8, 9, 10, 13, 15, 17, 67, 68, 69, 71, 72, 73, 129, 130, 131, 132, 133, 134 and last page (Dec. 2004).

Extract from catalog of Alfred Kaercher GmbH & Co. KG, "Programme 2006", cover, pp. 8 and 9 (2006).

* cited by examiner

Primary Examiner—Louis S. Zarfaz

Assistant Examiner—Kathleen Sims

(74) *Attorney, Agent, or Firm*—Lipsitz & McAllister, LLC

(57) **CLAIM**

The ornamental design for a high pressure cleaning device, as shown and described.

DESCRIPTION

FIG. 1 is a front, top and right side perspective view of a high pressure cleaning device showing our new design;
FIG. 2 is a front, top and left side perspective view thereof;
FIG. 3 is a front elevational view thereof;
FIG. 4 is a right side elevational view thereof;
FIG. 5 is a rear elevational view thereof;
FIG. 6 is a left side elevational view thereof;
FIG. 7 is a top plan view thereof; and,
FIG. 8 is a bottom plan view thereof.

1 Claim, 8 Drawing Sheets

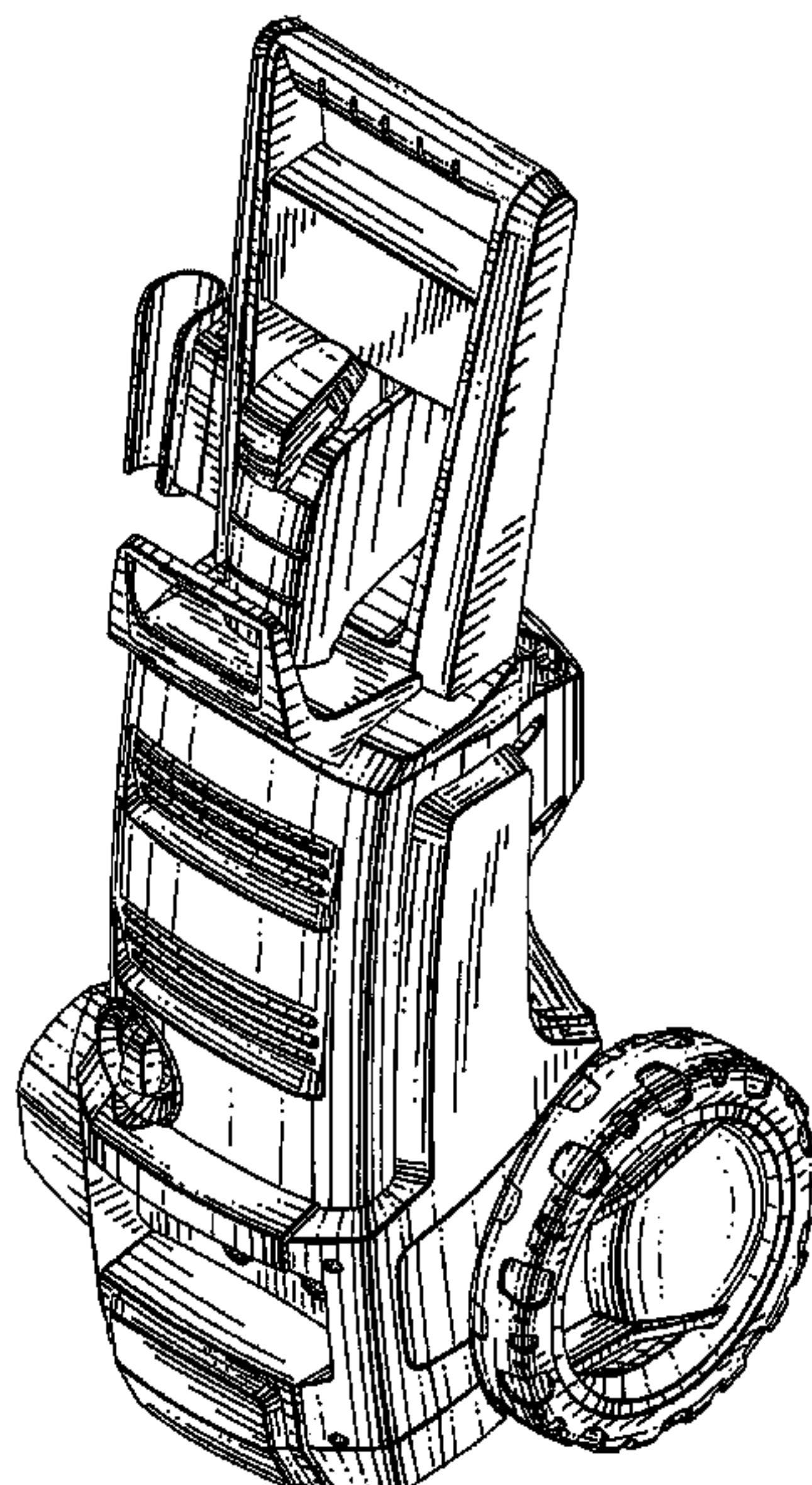


FIG. 1

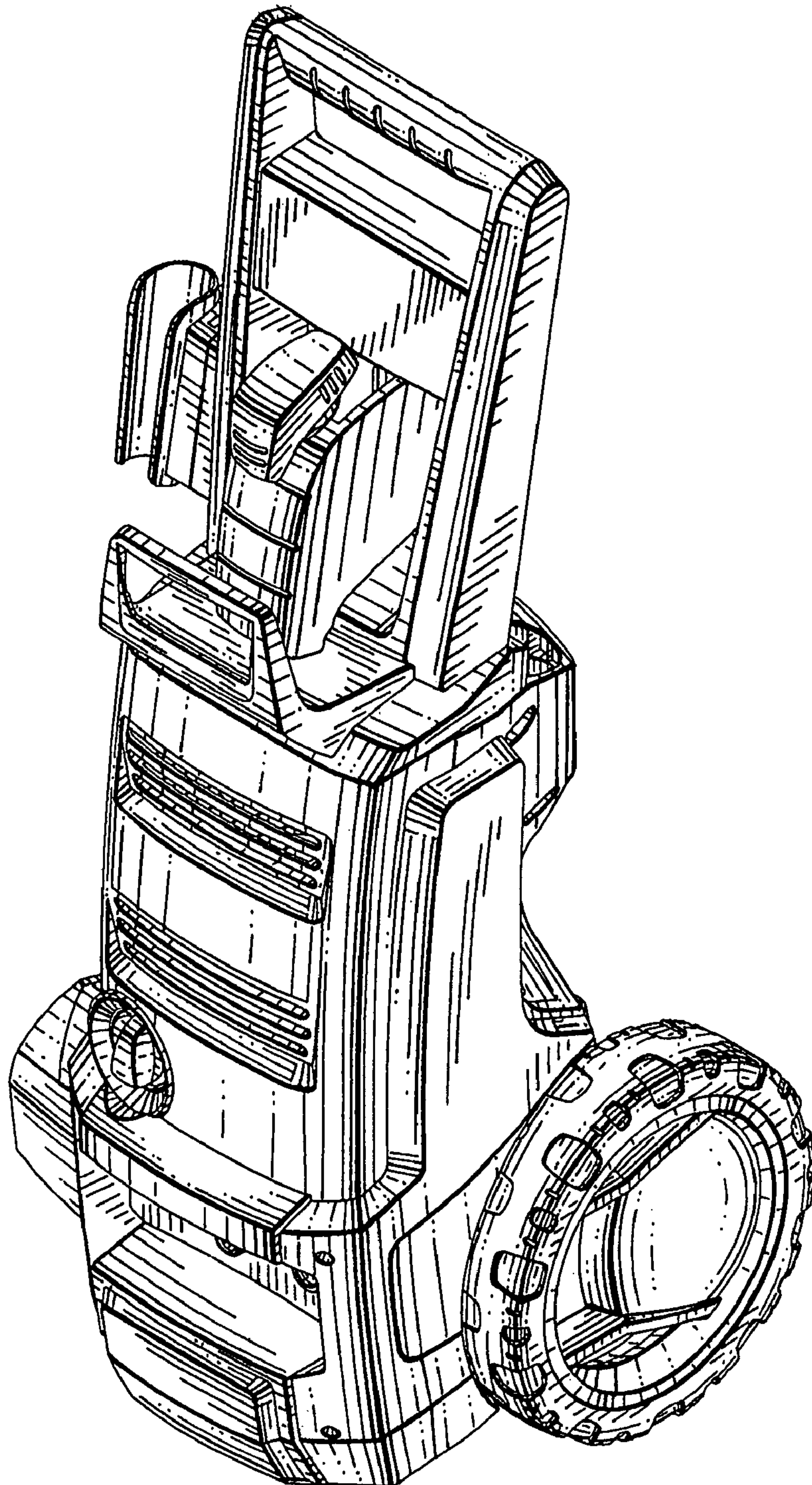


FIG.2

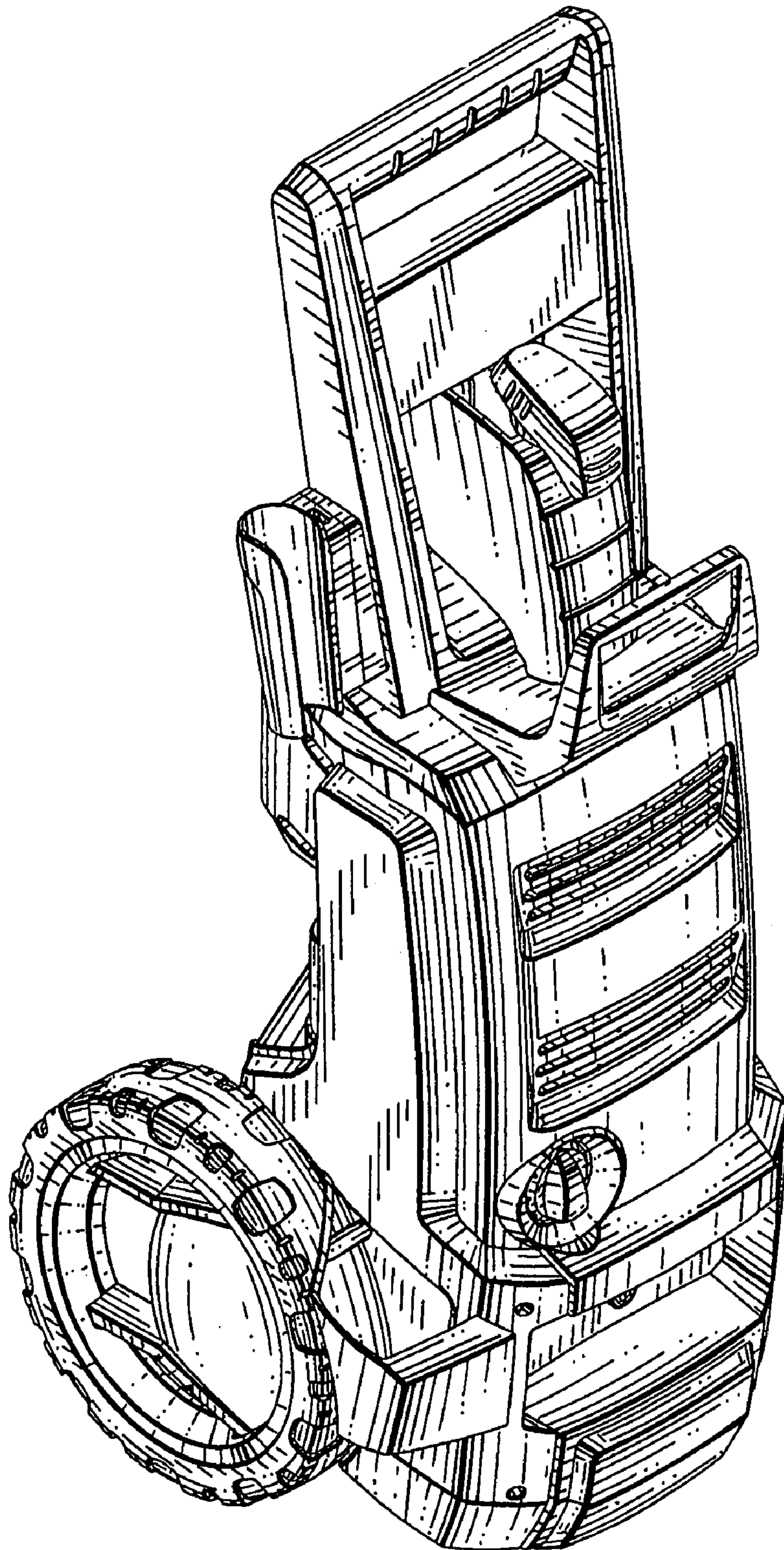


FIG. 3

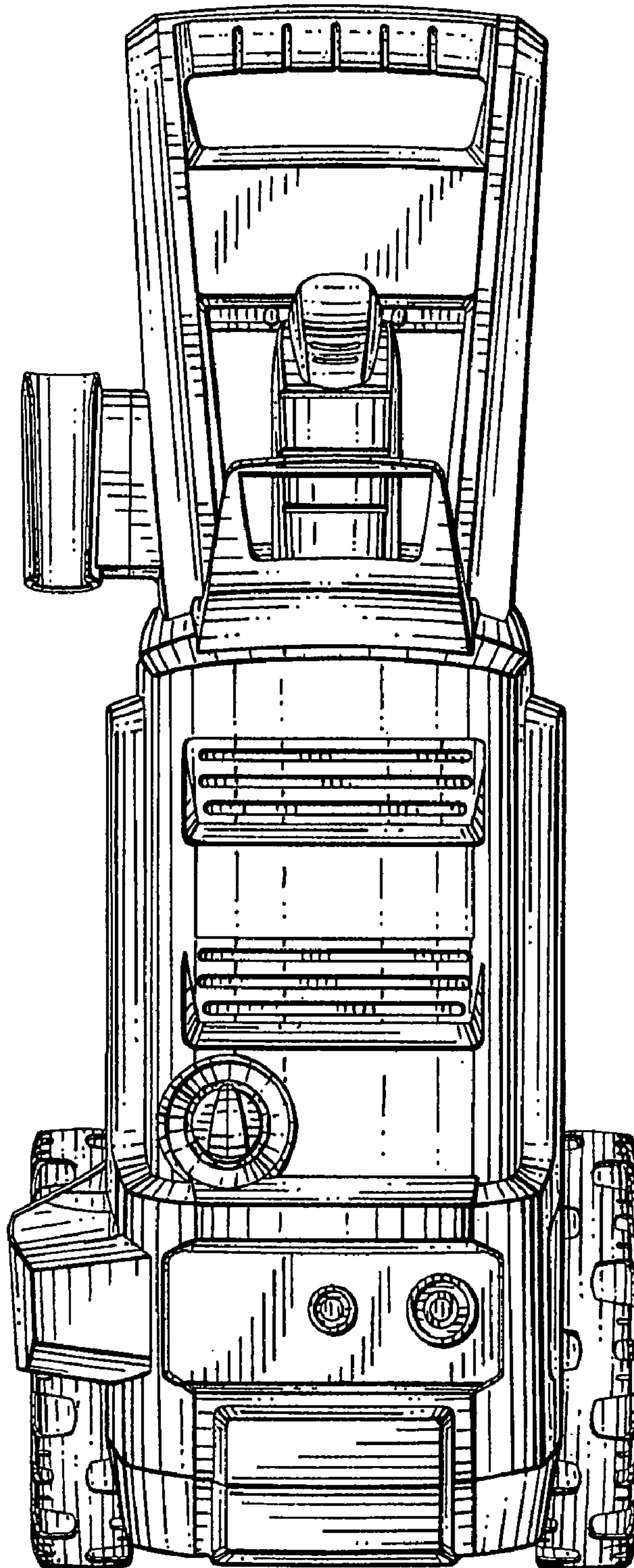


FIG.4

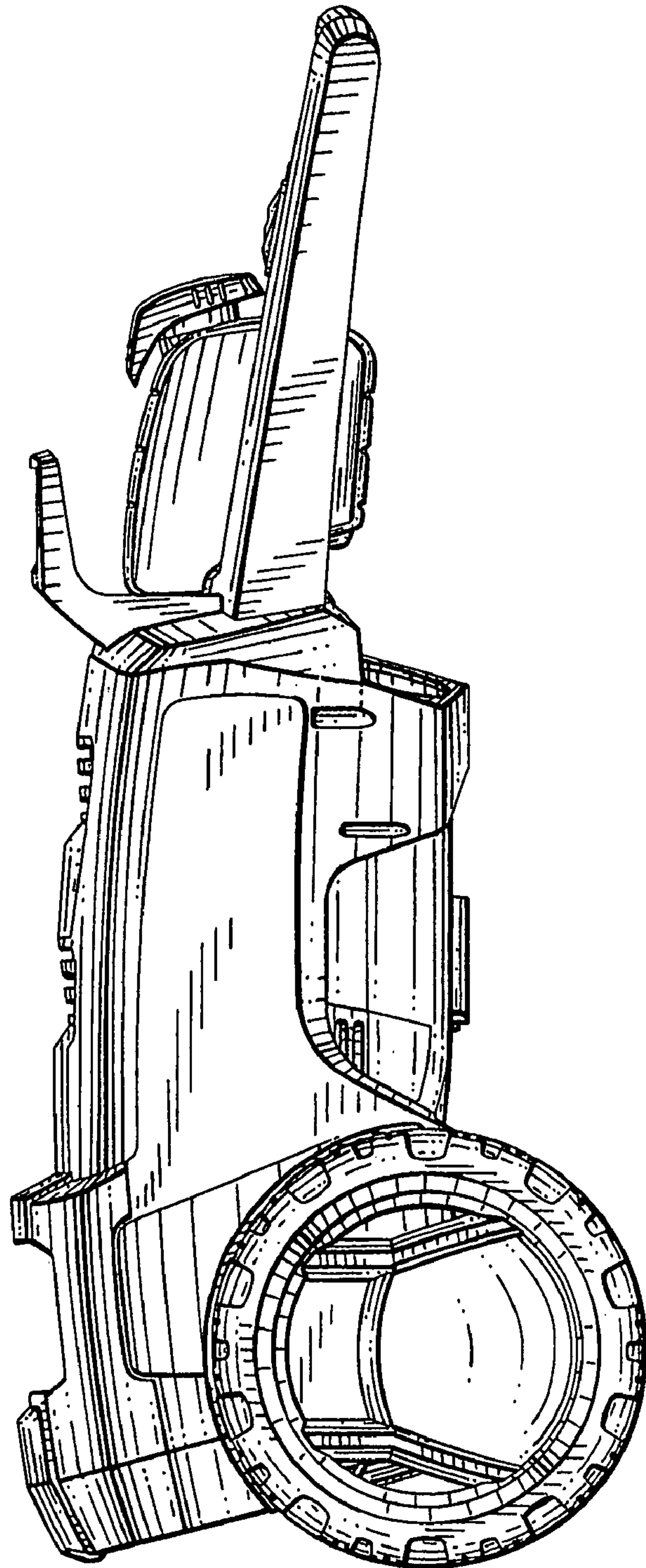


FIG.5

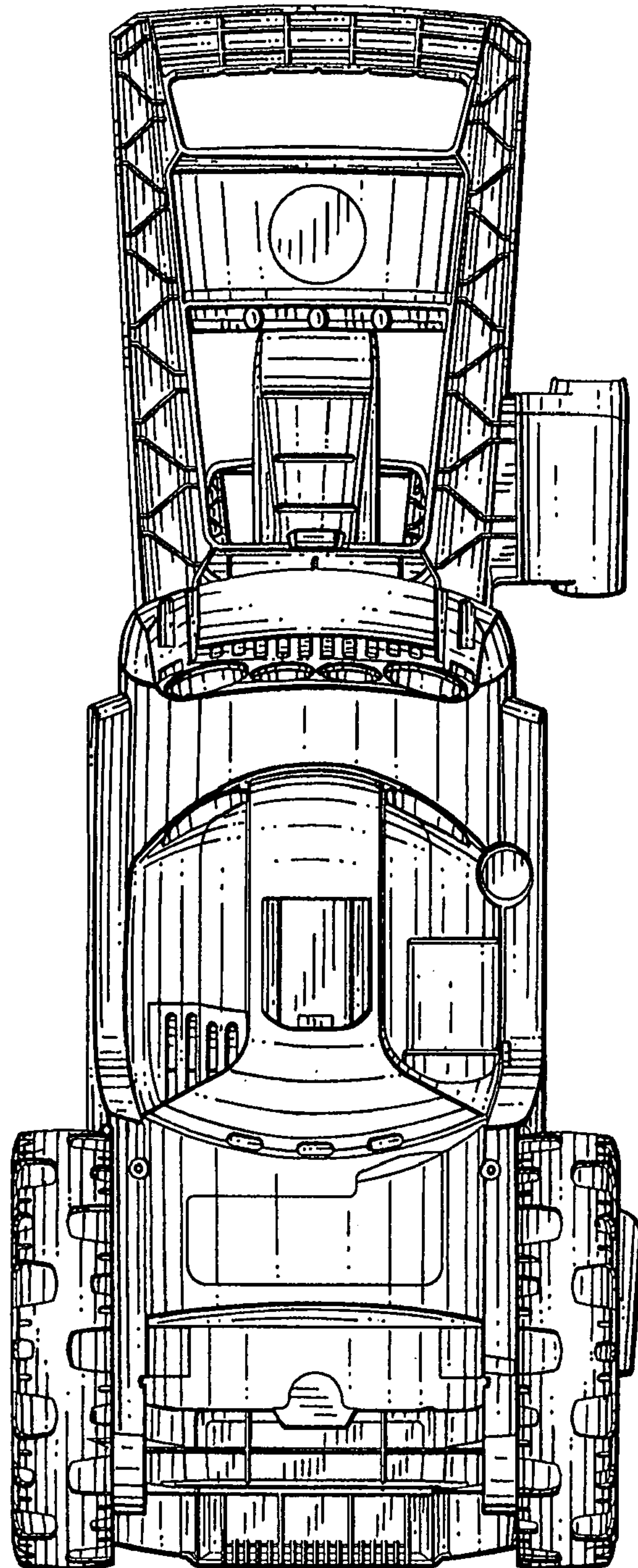


FIG.6

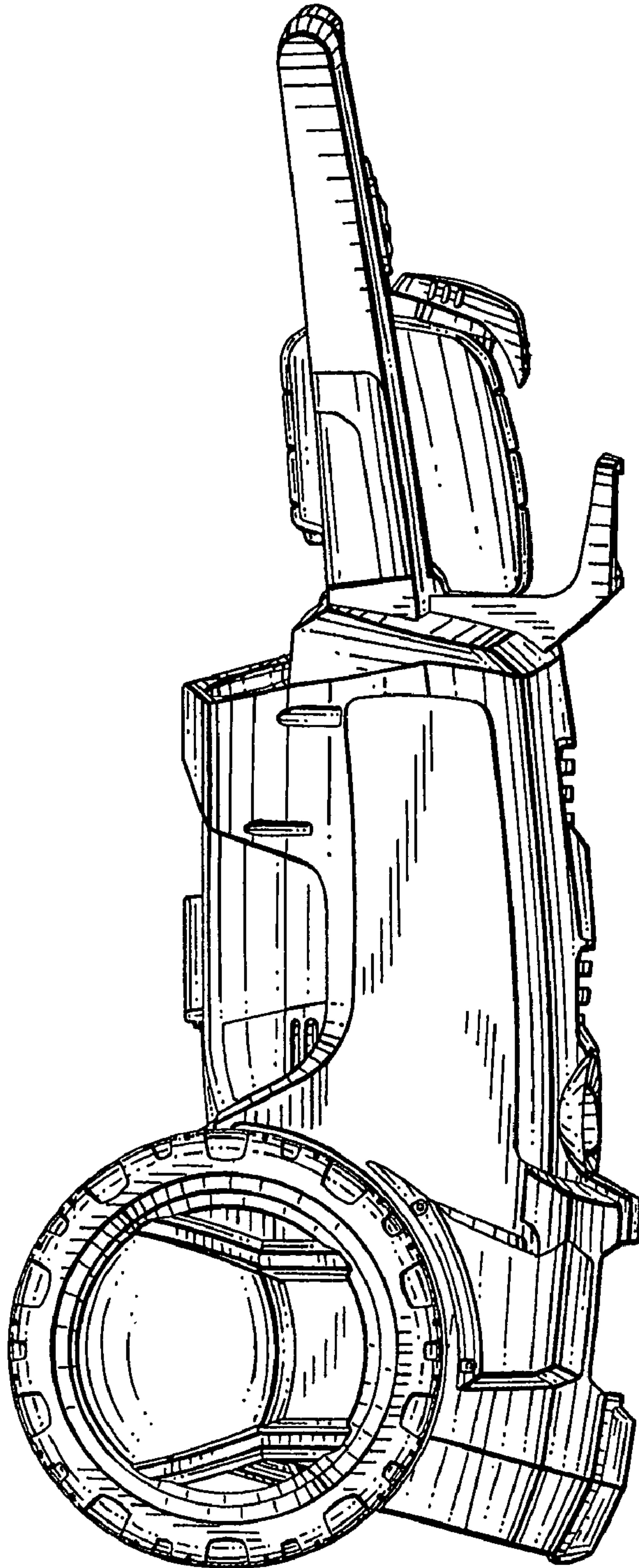


FIG. 7

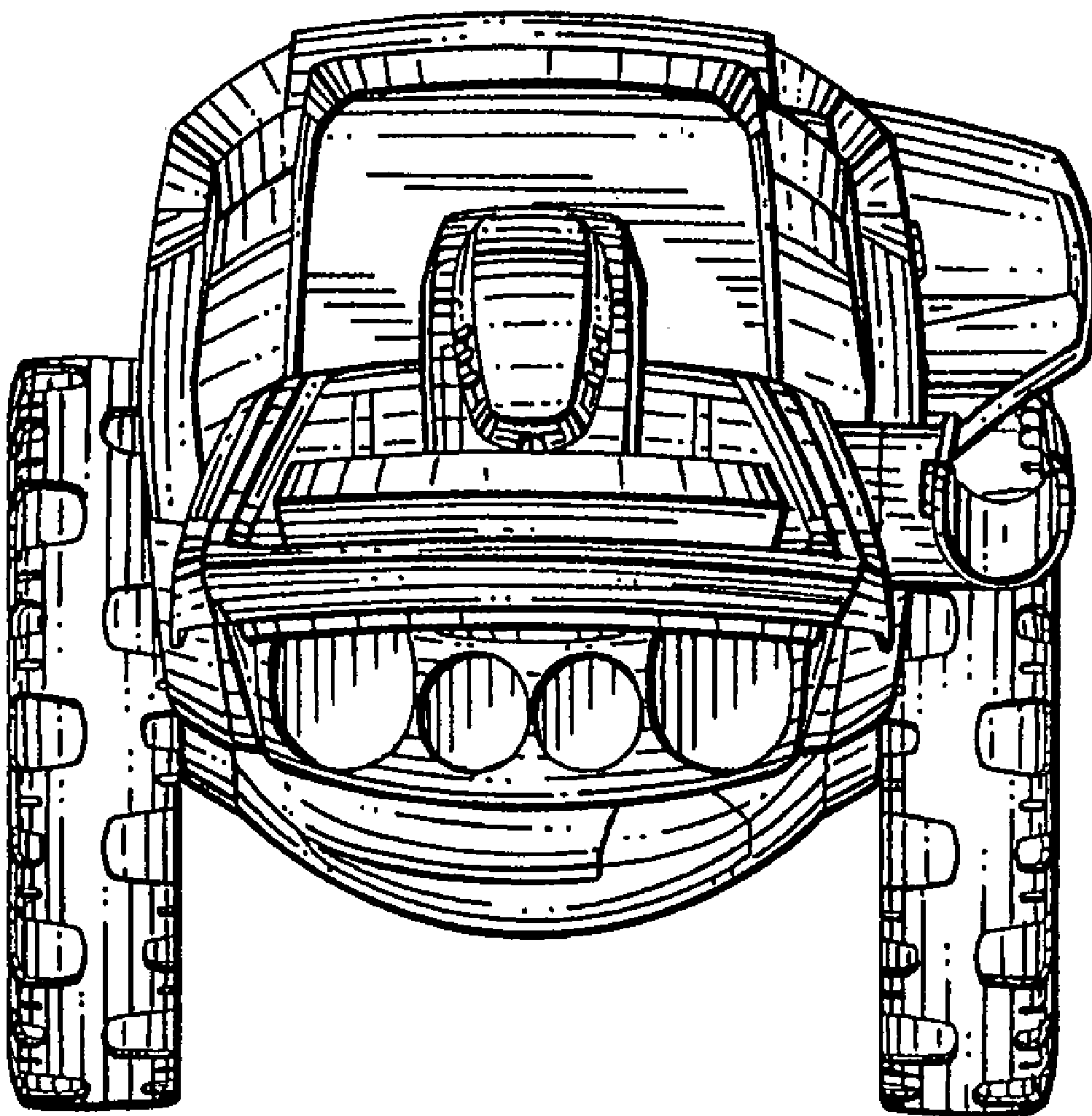


FIG. 8

