

US00D570058S

(12) **United States Design Patent** (10) **Patent No.:** **US D570,058 S**
Watson et al. (45) **Date of Patent:** **** May 27, 2008**

(54) **AIR DUCT CLEANER TOWER AND CART ASSEMBLY**

2005/0060833 A1* 3/2005 Guest et al. 15/321
 2005/0251954 A1* 11/2005 Guest et al. 15/405
 2006/0242783 A1* 11/2006 Peterson et al. 15/304

(75) Inventors: **Tandy P. Watson**, Orange City, FL (US); **Scott A. Peterson**, Fort Worth, TX (US); **Fred M. Gore**, Carrollton, TX (US)

(73) Assignee: **Rotobrush Int'l LLC**, Grapevine, TX (US)

(**) Term: **14 Years**

(21) Appl. No.: **29/278,713**

(22) Filed: **Apr. 6, 2007**

(51) **LOC (8) Cl.** **15-05**

(52) **U.S. Cl.** **D32/1**

(58) **Field of Classification Search** D32/1, D32/15-16, 22, 31; D15/7, 9; 15/320-321, 15/304, 345; 417/234, 360, 410; 239/146-147
See application file for complete search history.

(56) **References Cited**

U.S. PATENT DOCUMENTS

D204,365 S	4/1966	Trombetta	
3,343,199 A	9/1967	Nolte	
D223,039 S *	2/1972	Widmer	D15/7
4,222,145 A *	9/1980	Lowder	15/353
D281,632 S	12/1985	Yang	
4,792,363 A	12/1988	Franklin et al.	
D341,008 S	11/1993	Berfield et al.	
5,299,767 A *	4/1994	Simpson	248/129
5,438,729 A	8/1995	Powell	
5,954,494 A *	9/1999	Goldsmith et al.	431/254
6,014,790 A	1/2000	Smith et al.	
6,032,325 A	3/2000	Smith	
6,279,197 B1	8/2001	Crutcher et al.	
6,425,958 B1	7/2002	Giddings et al.	
6,834,412 B2	12/2004	Stanovich et al.	
D518,607 S *	4/2006	Franzino	D32/1
D545,008 S *	6/2007	Franzino	D32/1
2003/0208877 A1	11/2003	Stanovich et al.	
2004/0256483 A1 *	12/2004	Guest et al.	239/146

OTHER PUBLICATIONS

http://www.rotobrush.com/postcard/images/aiR_breakout_carrier.jpg Feb. 14, 2008.*

<http://www.vacbrush.com/p.htm> Feb. 14, 2008.*

Parent case U.S. Appl. No. 29/212,958 filed on Sep. 10, 2004 to Watson, et al. entitled Air Duct Cleaner Tower and Cart Assembly; currently pending.

* cited by examiner

Primary Examiner—Louis S Zarfaz

Assistant Examiner—Kathleen M Sims

(57) **CLAIM**

The ornamental design for an air duct cleaner tower and cart assembly, as shown and described.

DESCRIPTION

FIG. 1 is a front elevation view of an air duct cleaner tower and cart assembly incorporating the new design;

FIG. 2 is a rear elevation view of the air duct cleaner tower and cart assembly of FIG. 1;

FIG. 3 is a left elevation view of the air duct cleaner tower and cart assembly of FIG. 1;

FIG. 4 is a right elevation view of the air duct cleaner tower and cart assembly of FIG. 1;

FIG. 5 is a top plan view of the air duct cleaner tower and cart assembly of FIG. 1;

FIG. 6 is a bottom plan view of the air duct cleaner tower and cart assembly of FIG. 1;

FIG. 7 is an isometric view of the air duct cleaner tower and cart assembly of FIG. 1;

FIG. 8 is an exploded isometric view of the air duct cleaner tower broken away from the cart assembly of FIG. 1 for clarity of illustration;

FIG. 9 is a front elevation view of the air duct cleaner tower of FIG. 8;

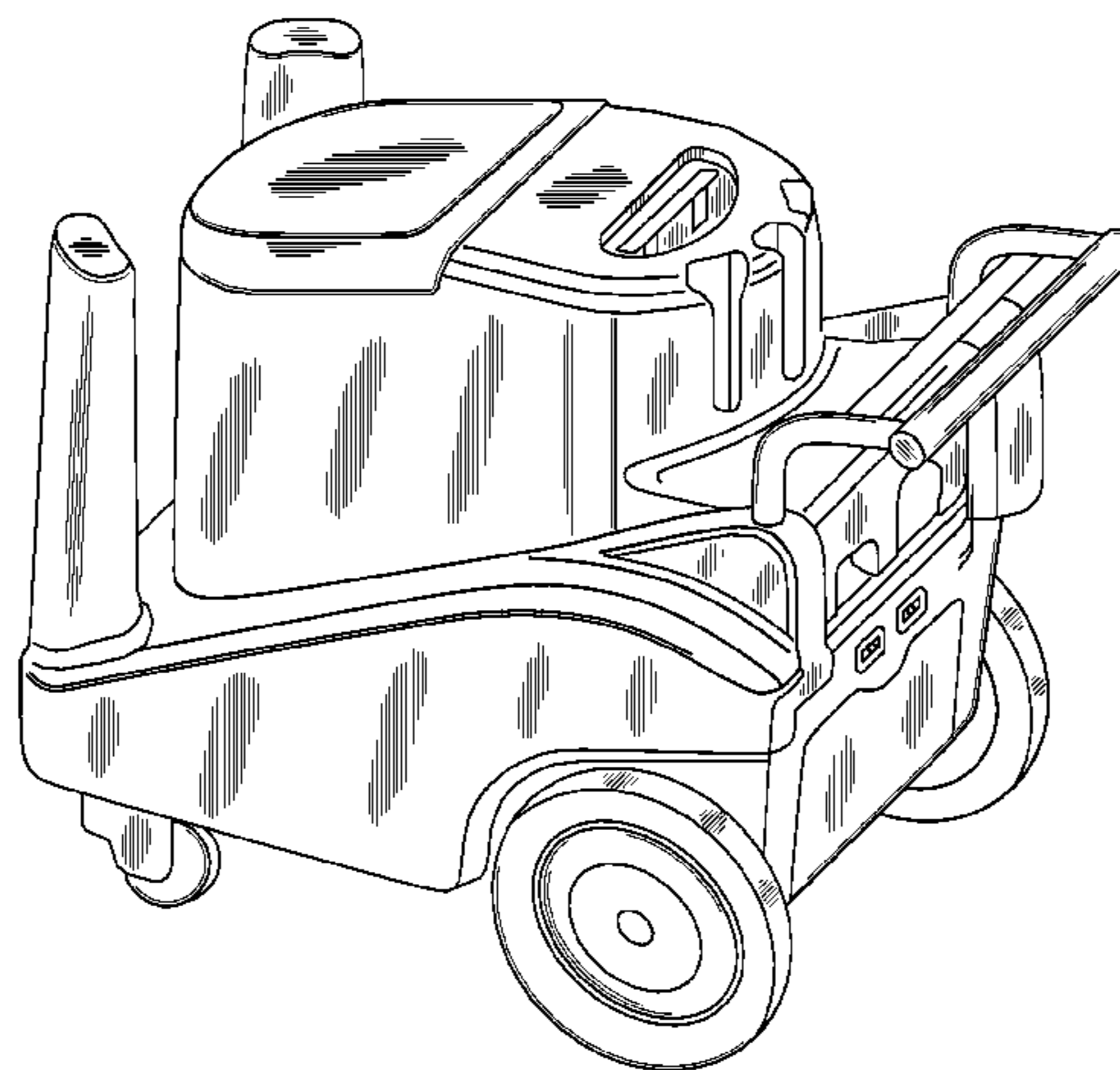


FIG. **10** is rear elevation view of the air duct cleaner tower of FIG. **8**;

FIG. **11** is a left elevation view of the air duct cleaner tower of FIG. **8**;

FIG. **12** is a right elevation view of the air duct cleaner tower of FIG. **8**;

FIG. **13** is a top plan view of the air duct cleaner tower of FIG. **8**;

FIG. **14** is a bottom plan view of the air duct cleaner tower of FIG. **8**;

FIG. **15** is a front elevation view of the cart assembly of FIG. **8**;

FIG. **16** is a rear elevation view of the cart assembly of FIG. **8**;

FIG. **17** is a left elevation view of the cart assembly of FIG. **8**;

FIG. **18** is a right elevation view of the cart assembly of FIG. **8**;

FIG. **19** is top plan view of the cart assembly of FIG. **8**; and, FIG. **20** is a bottom plan view of the cart assembly of FIG. **8**.

FIGS. **1** through **7** illustrate an air duct cleaner tower and cart assembly as assembled incorporating the new design. FIG. **8** illustrates the relationship of the air duct cleaner tower to the cart assembly. FIGS. **9** through **14** illustrate the design of the air duct cleaner tower by itself. FIGS. **15** through **20** illustrate the design of the cart assembly by itself.

1 Claim, 11 Drawing Sheets

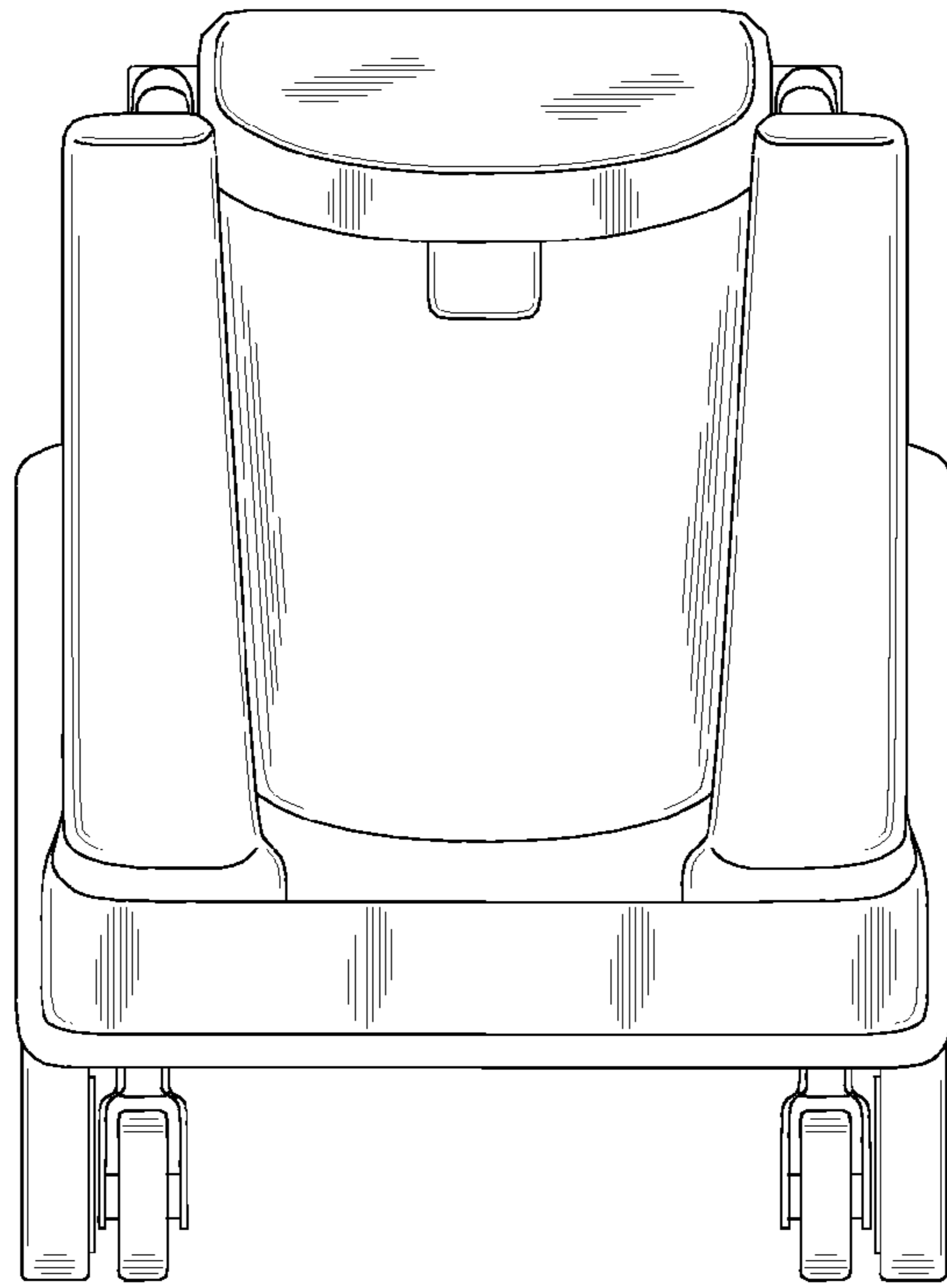


FIG. 1

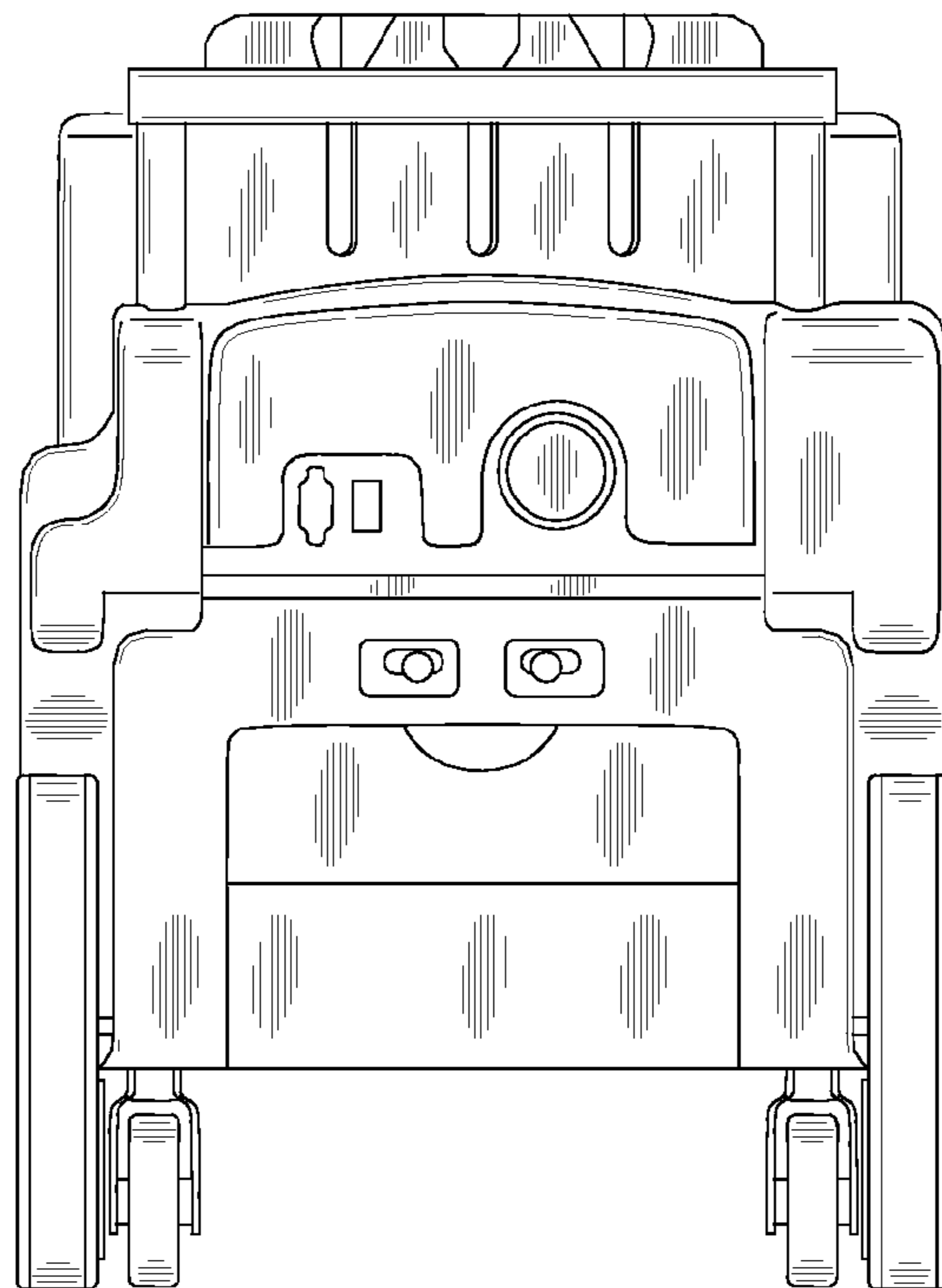


FIG. 2

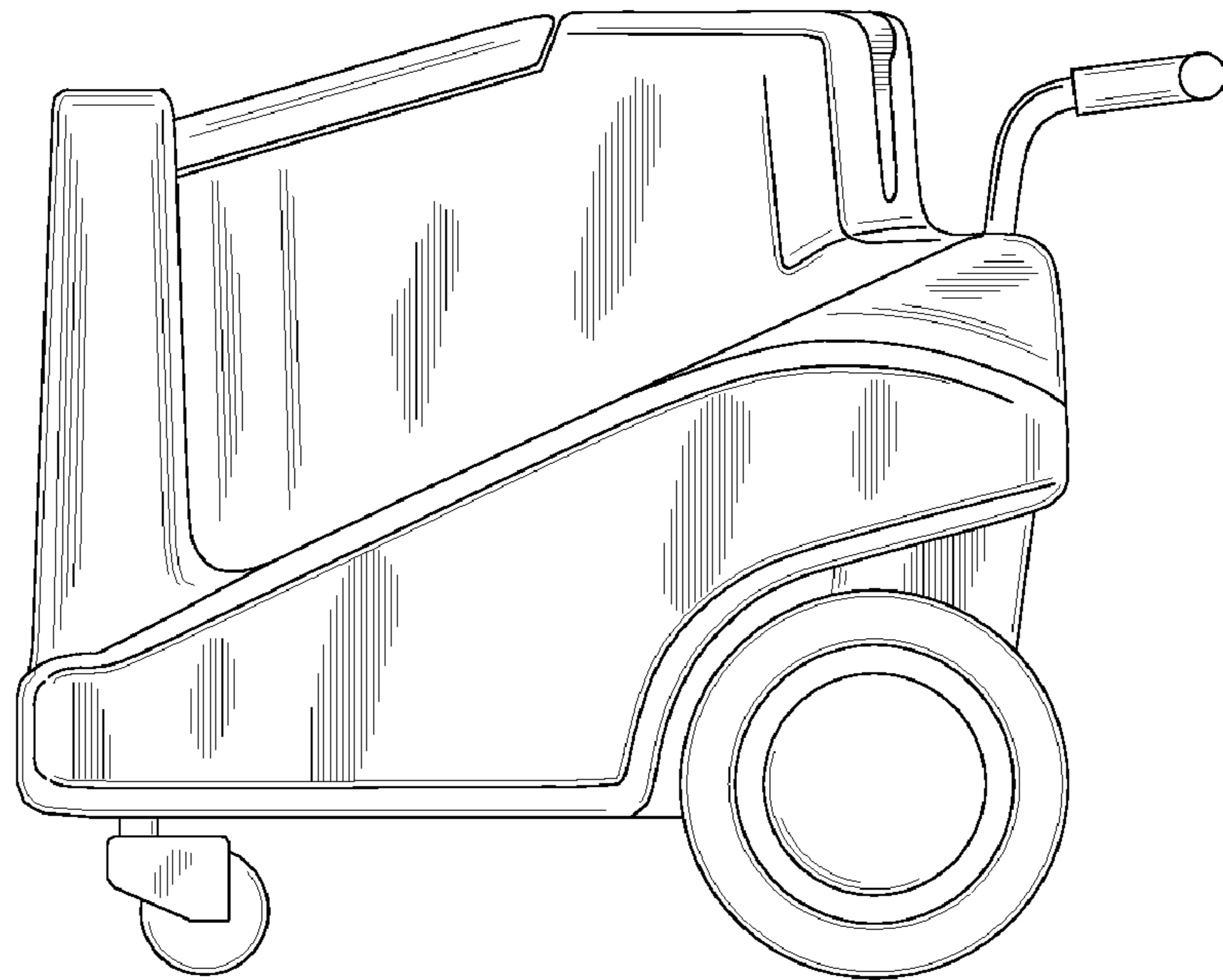


FIG. 3

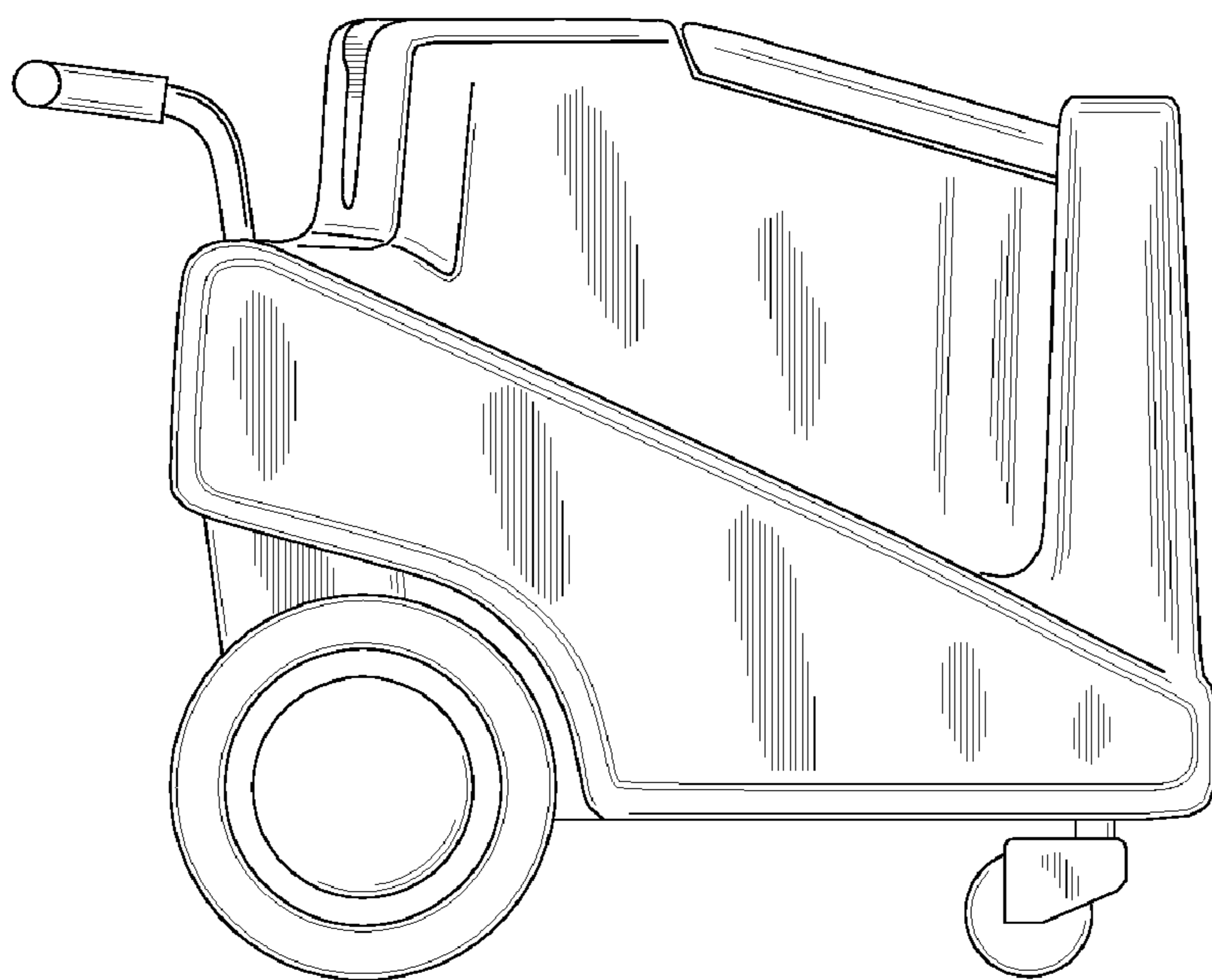


FIG. 4

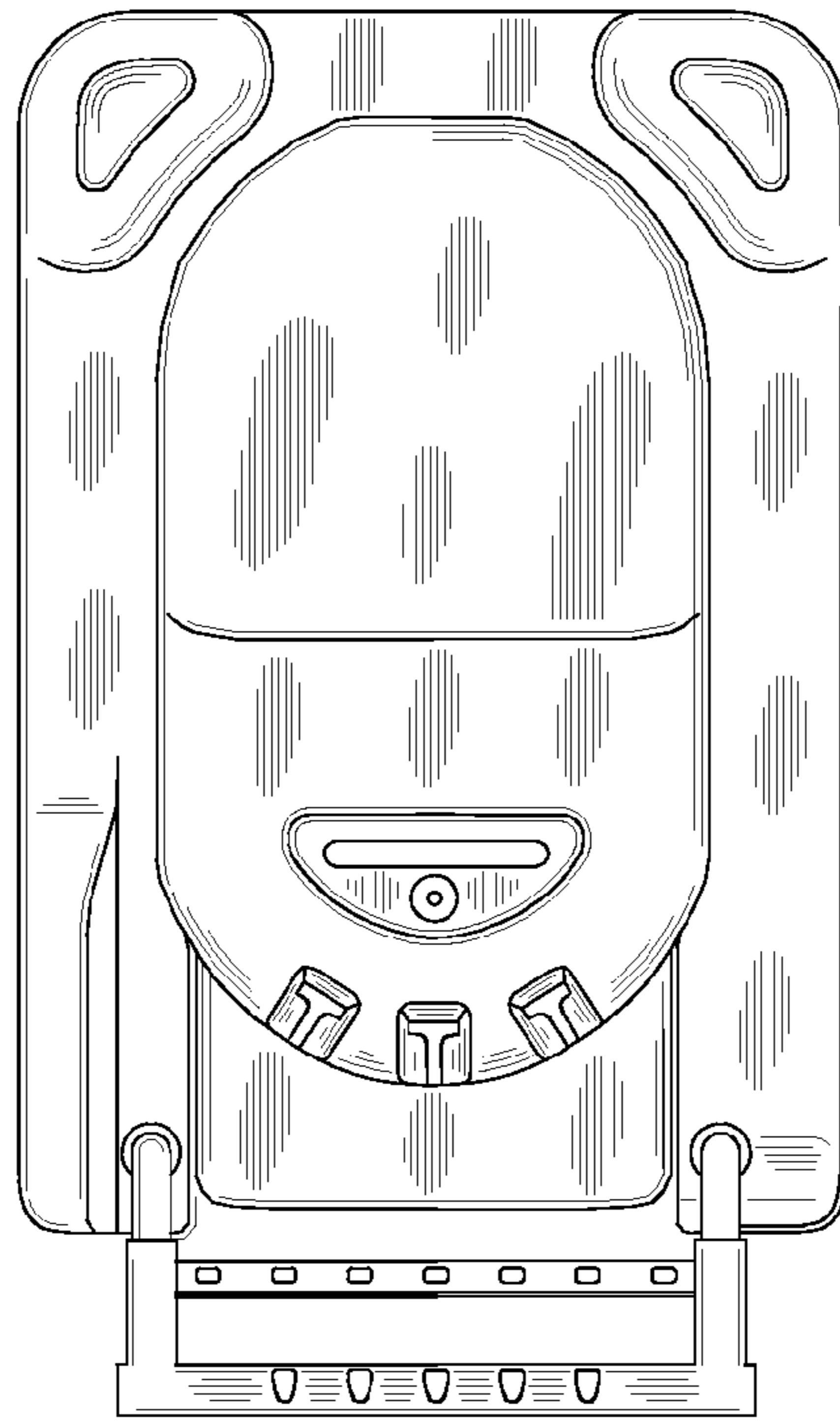


FIG. 5

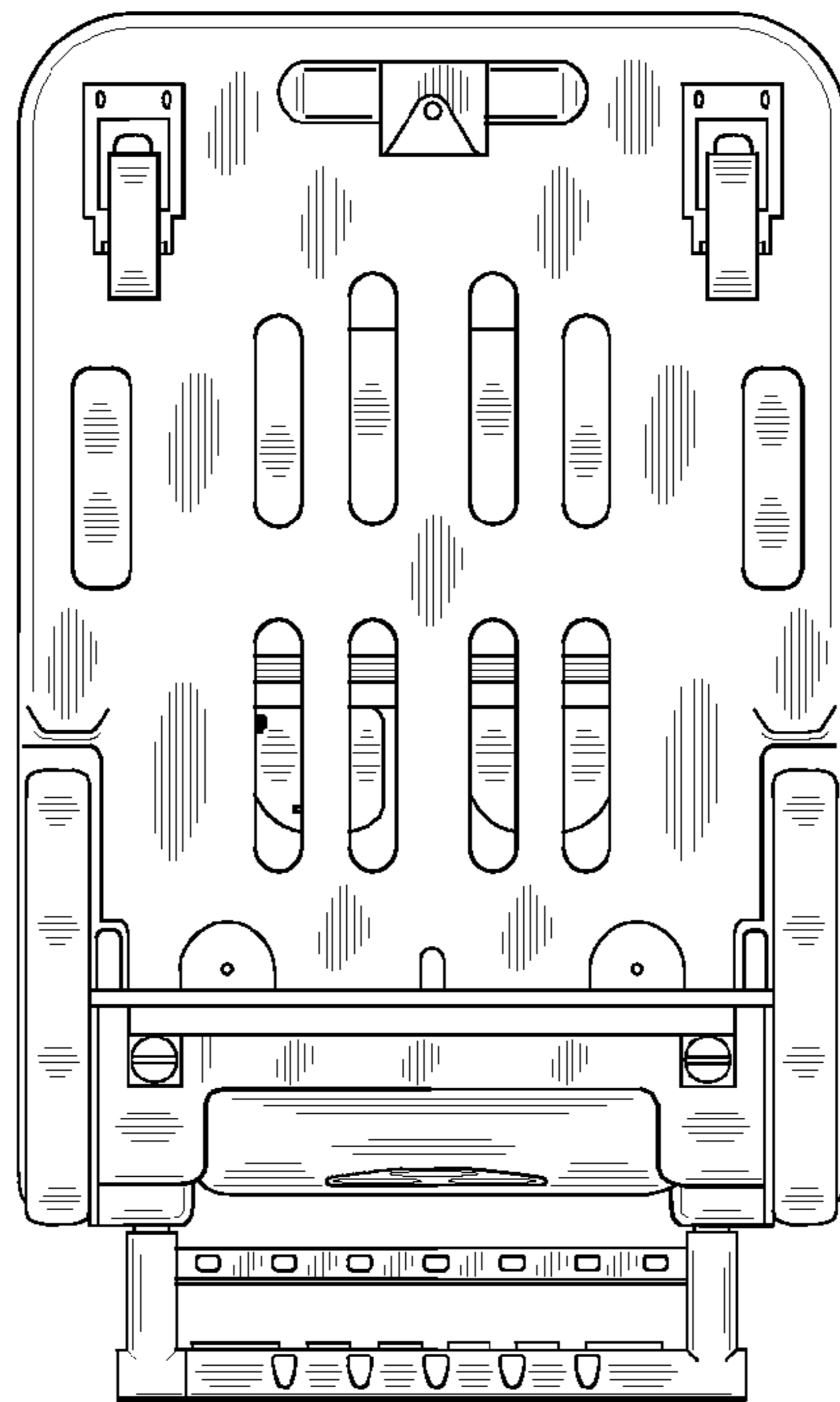


FIG. 6

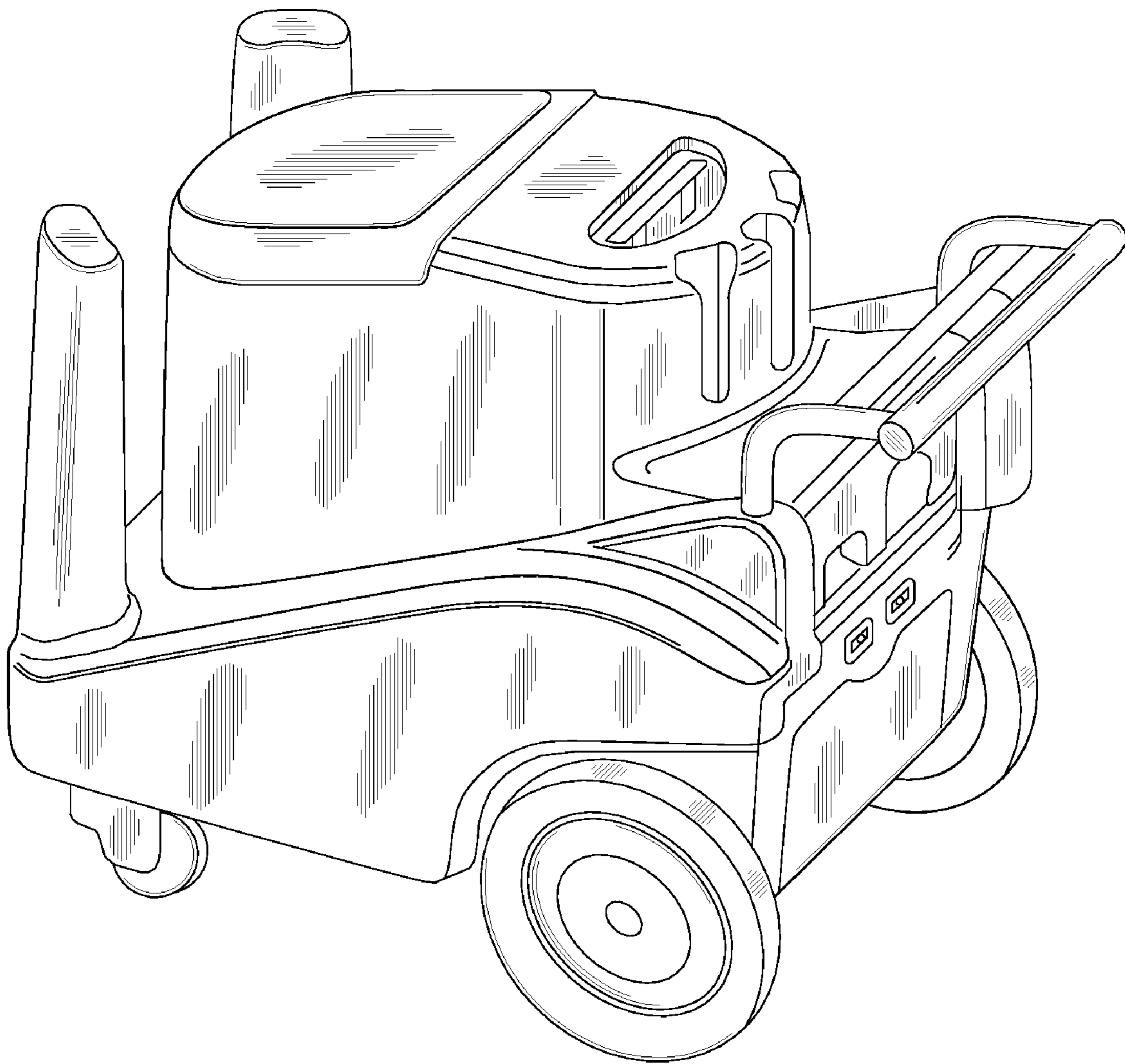


FIG. 7

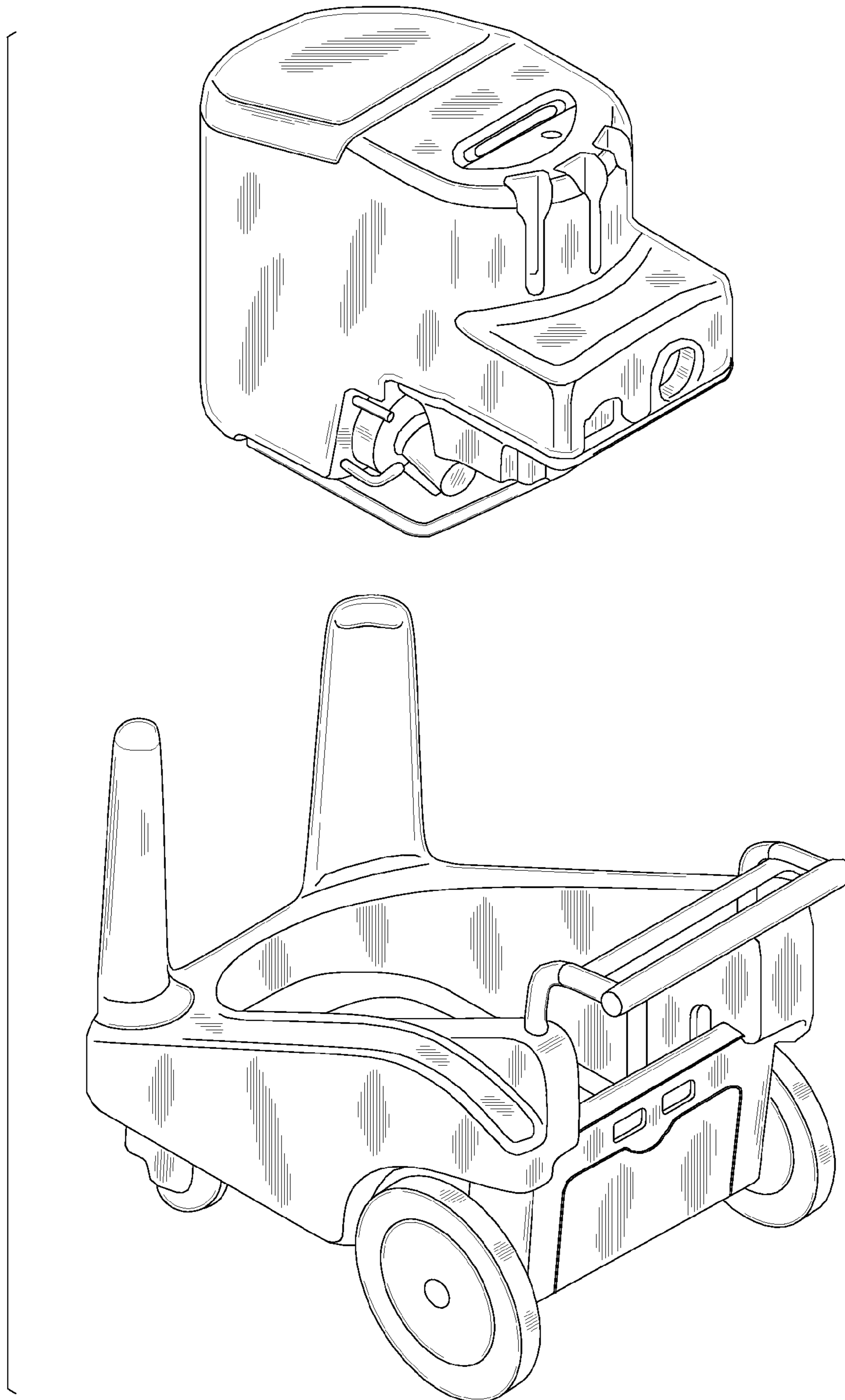


FIG. 8

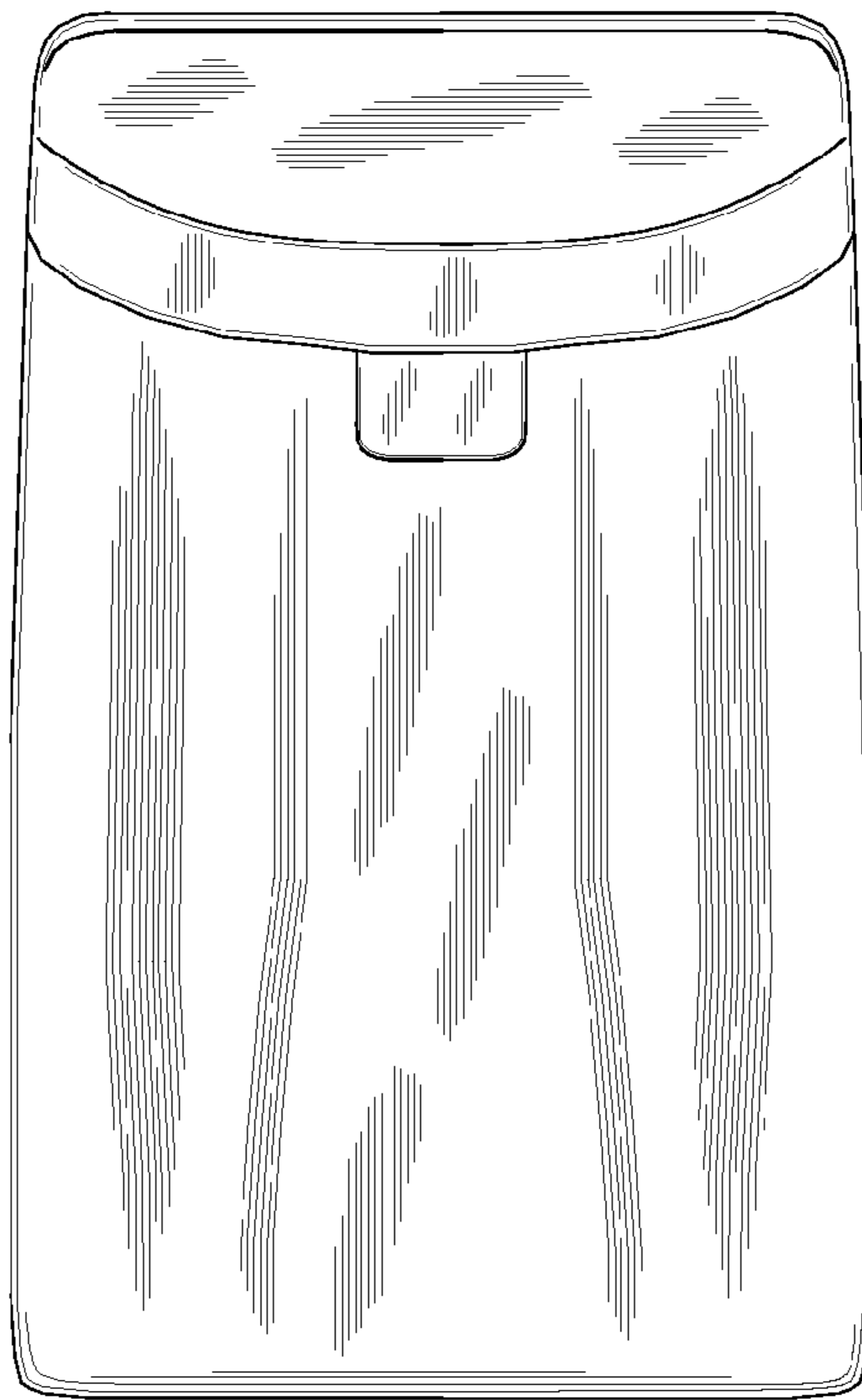


FIG. 9

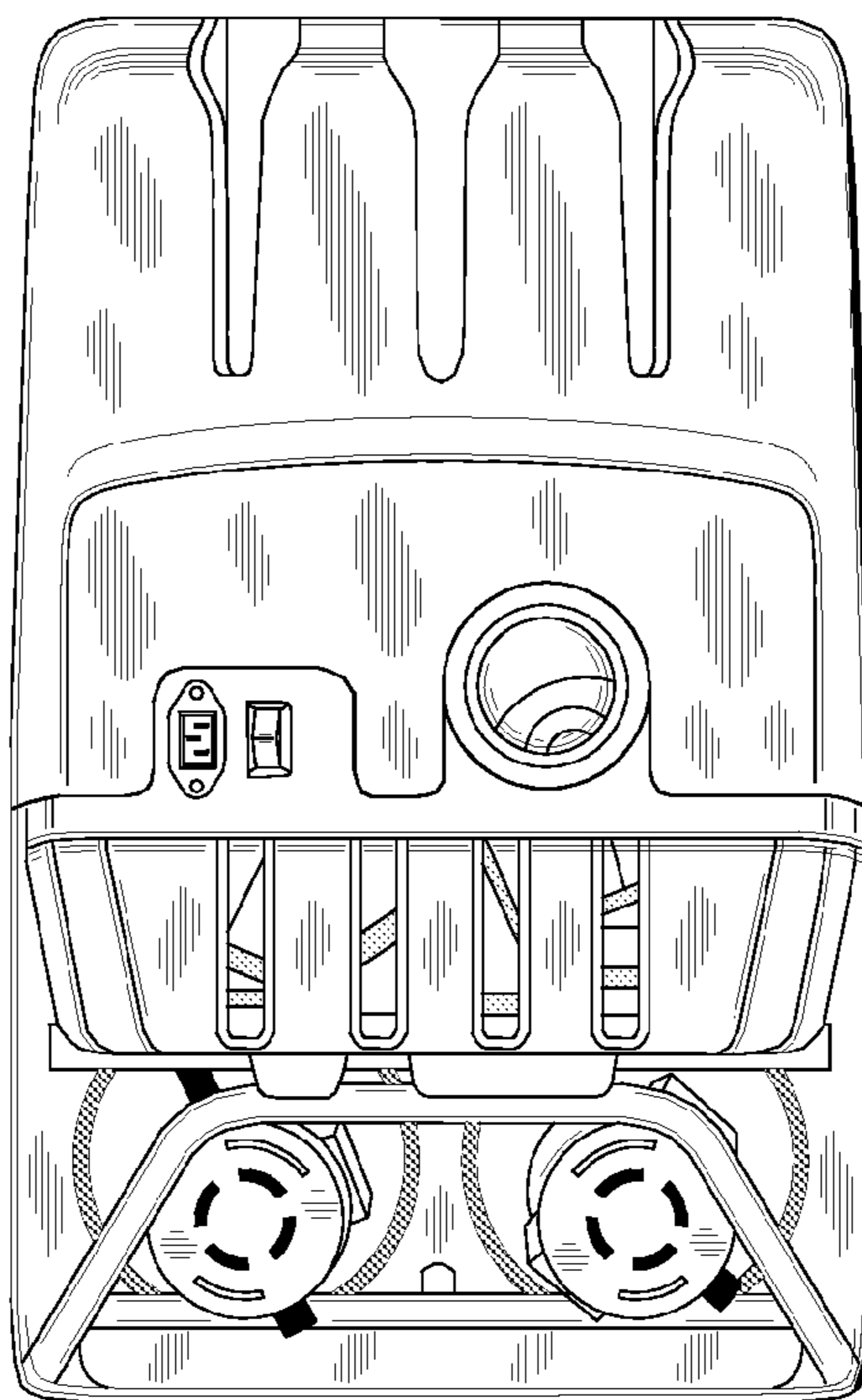


FIG. 10

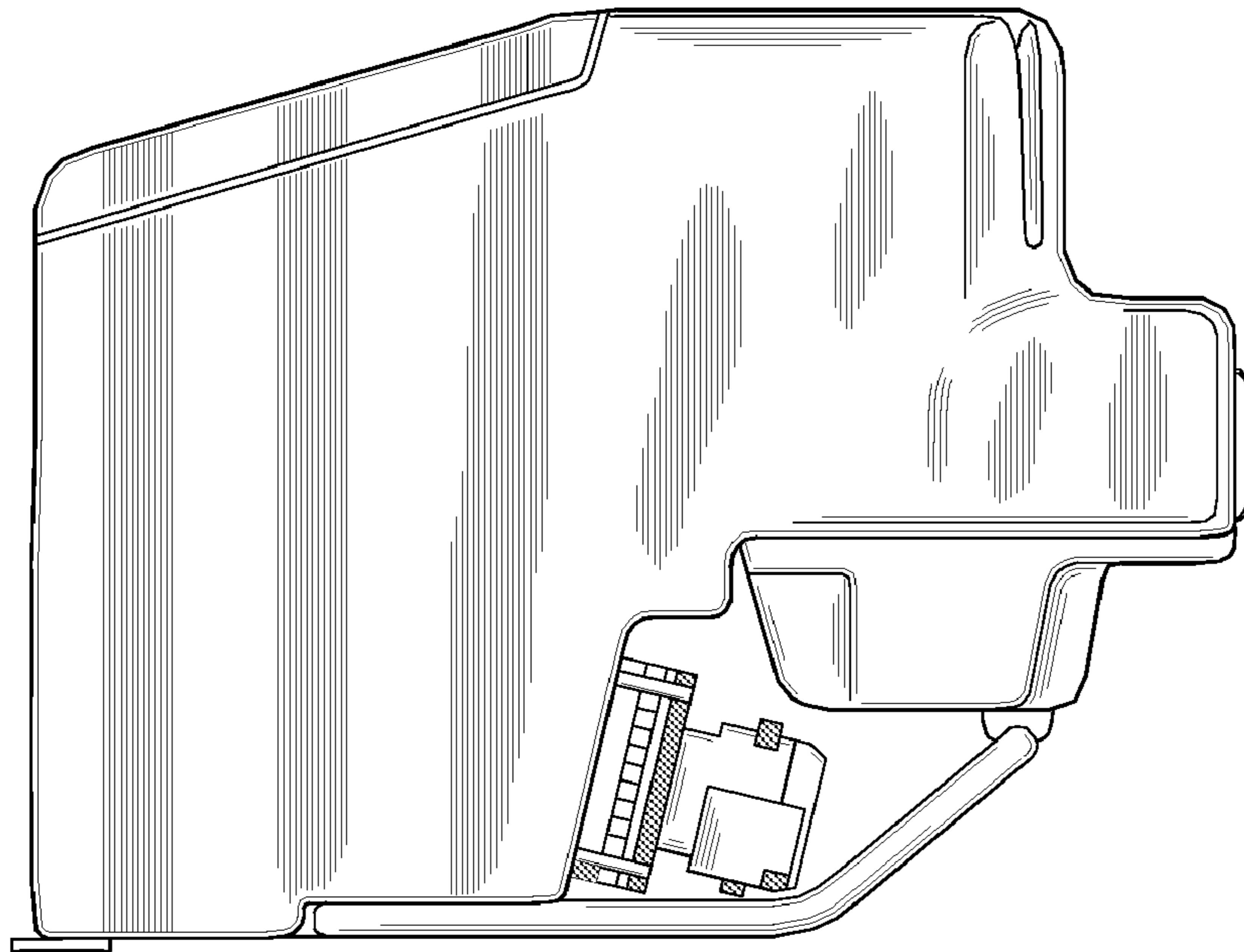


FIG. 11

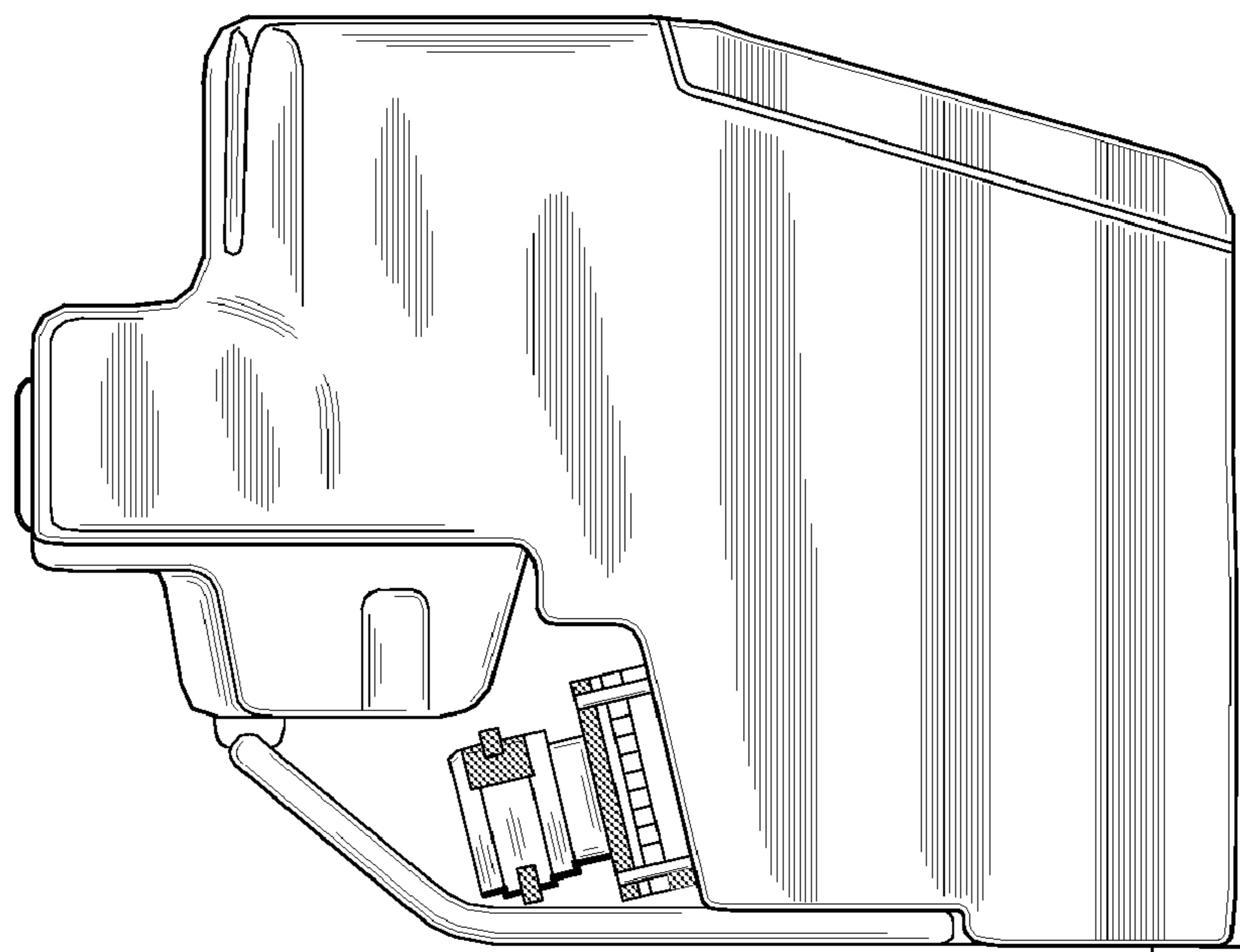


FIG. 12

FIG. 13

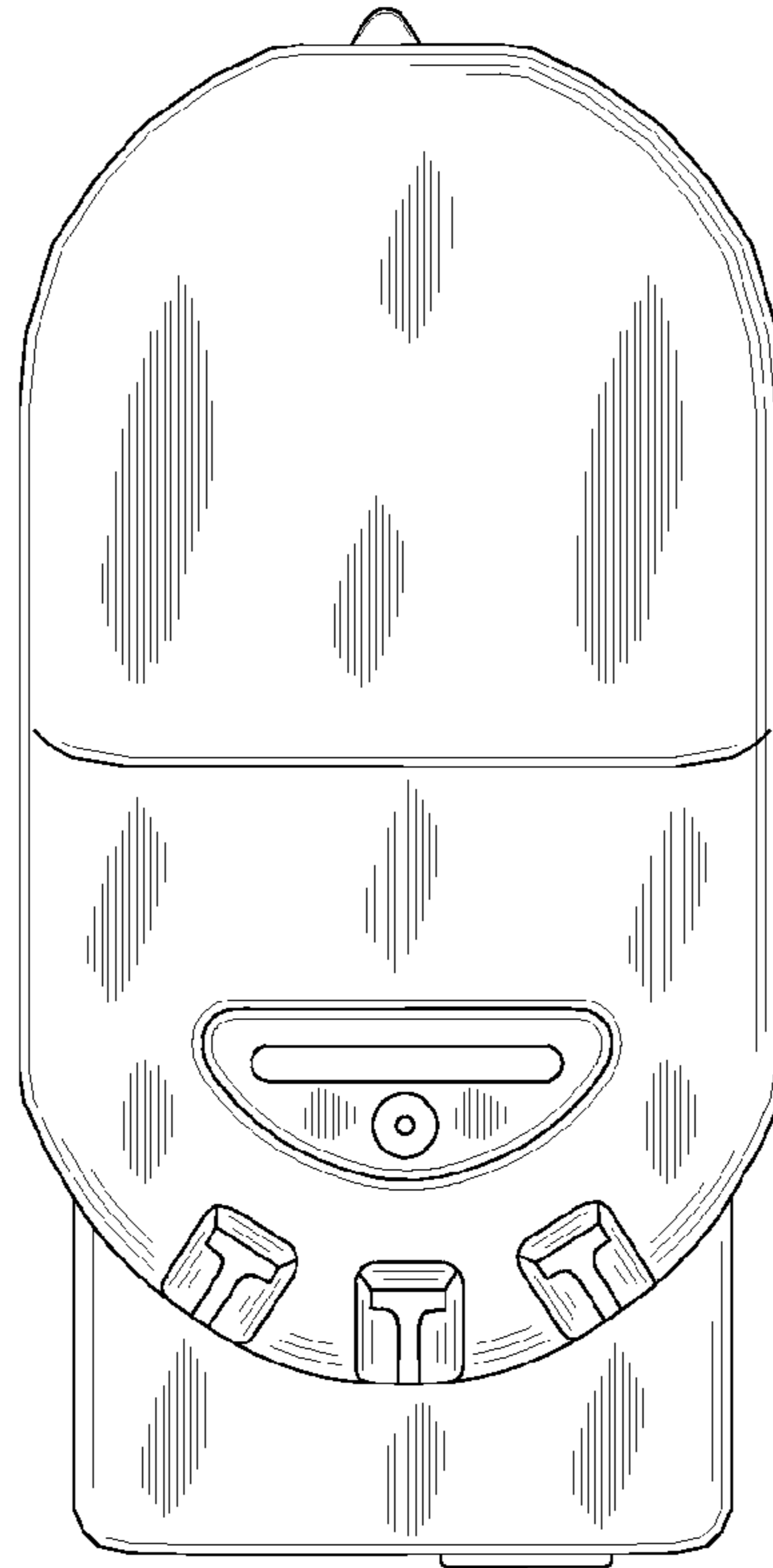
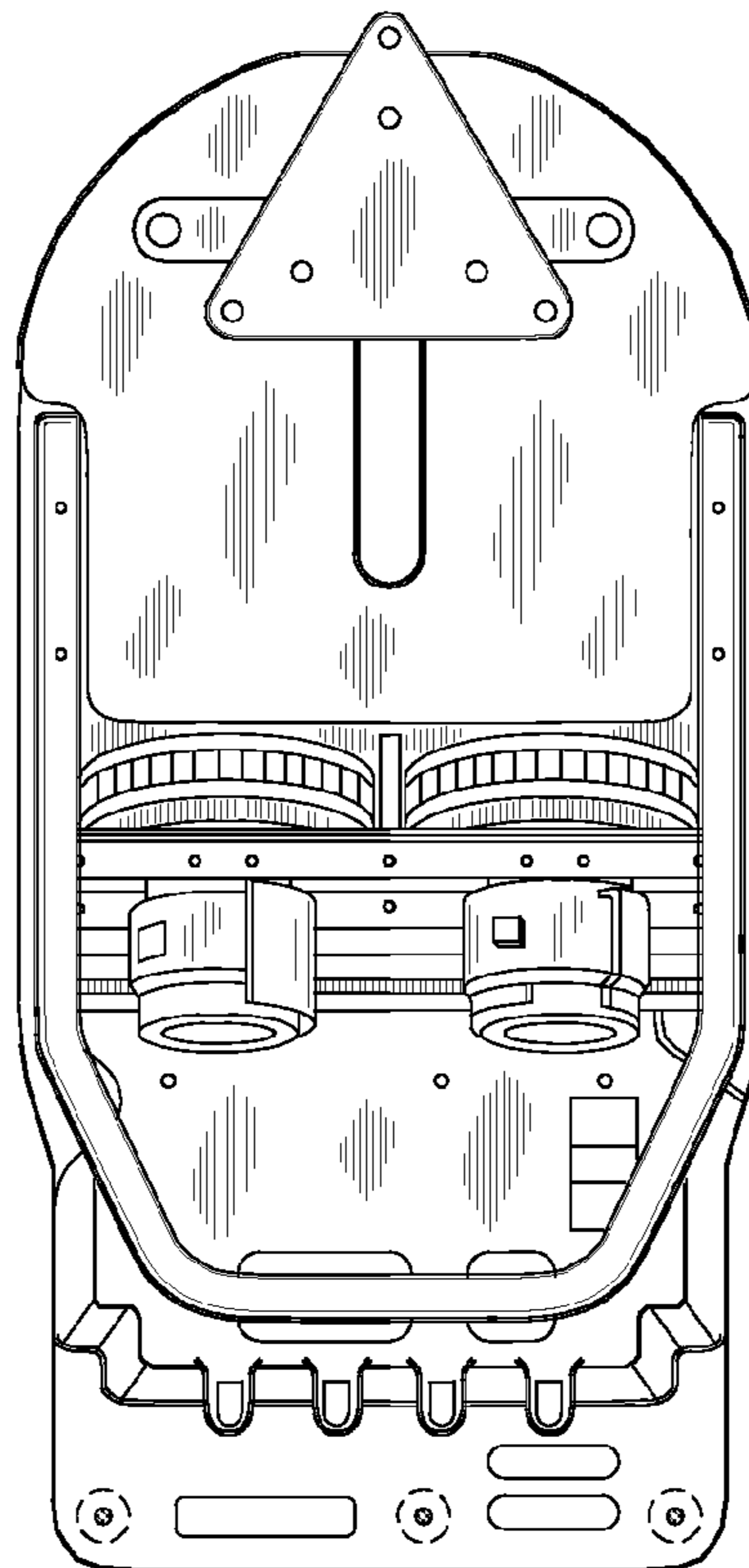


FIG. 14



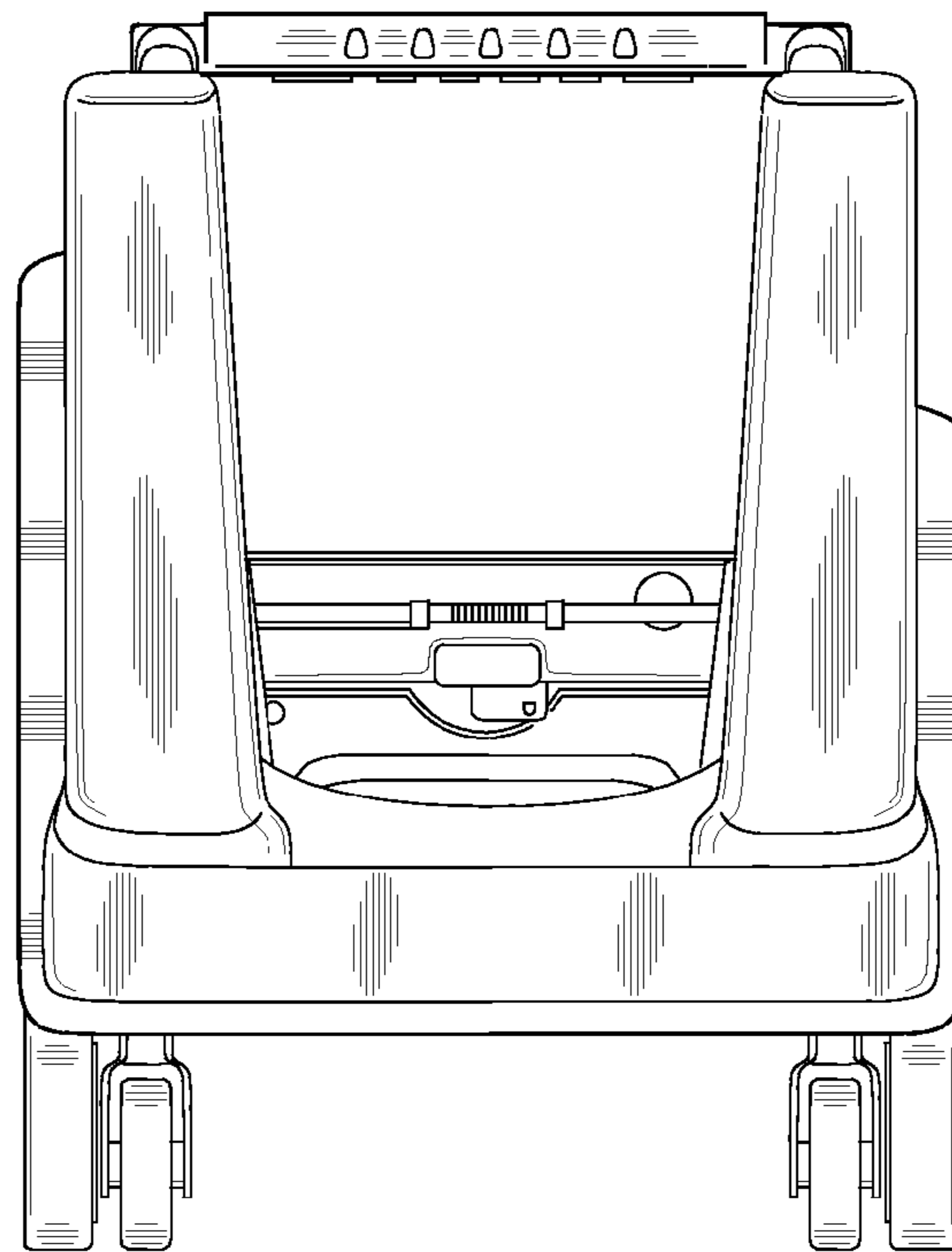


FIG. 15

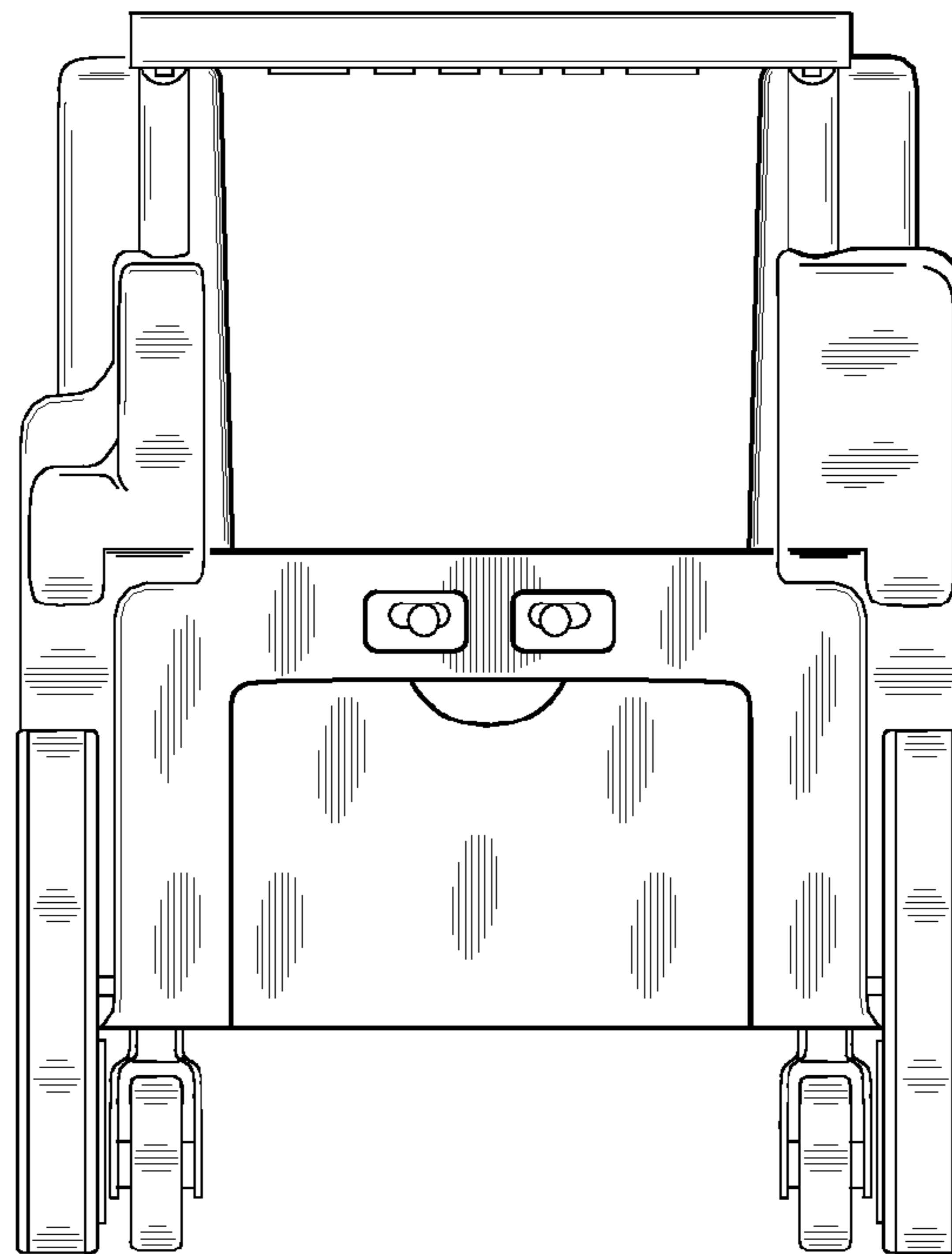


FIG. 16

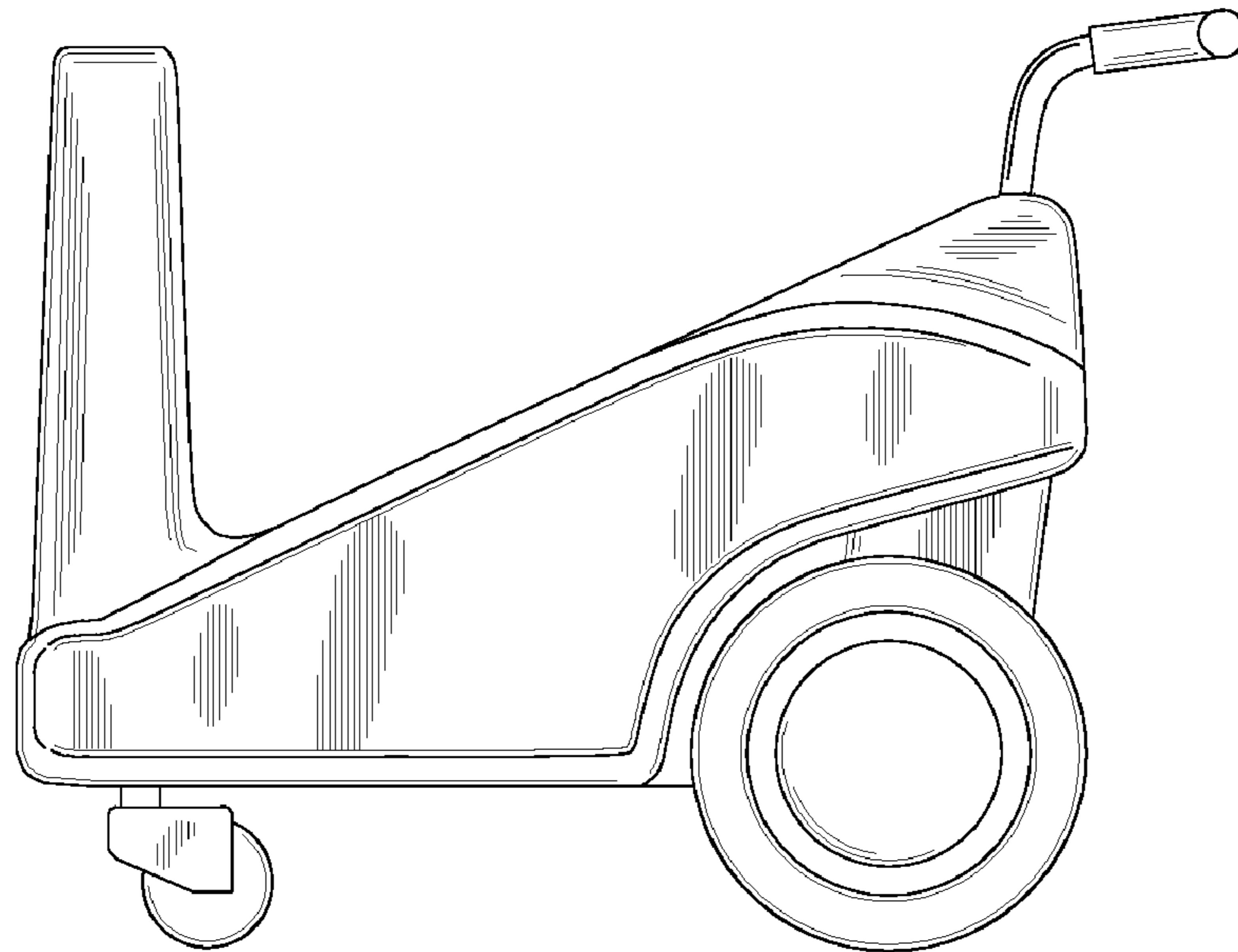


FIG. 17

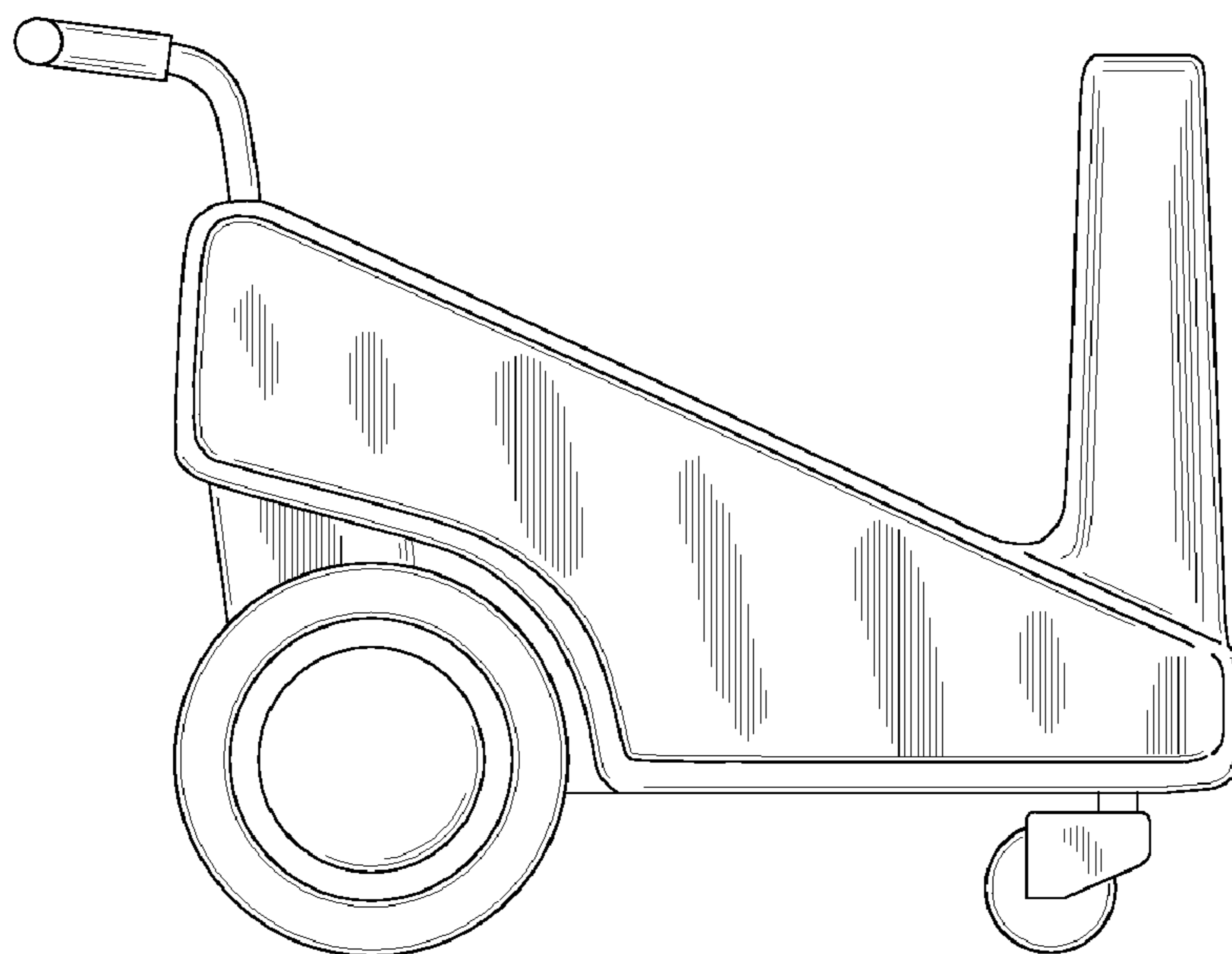


FIG. 18

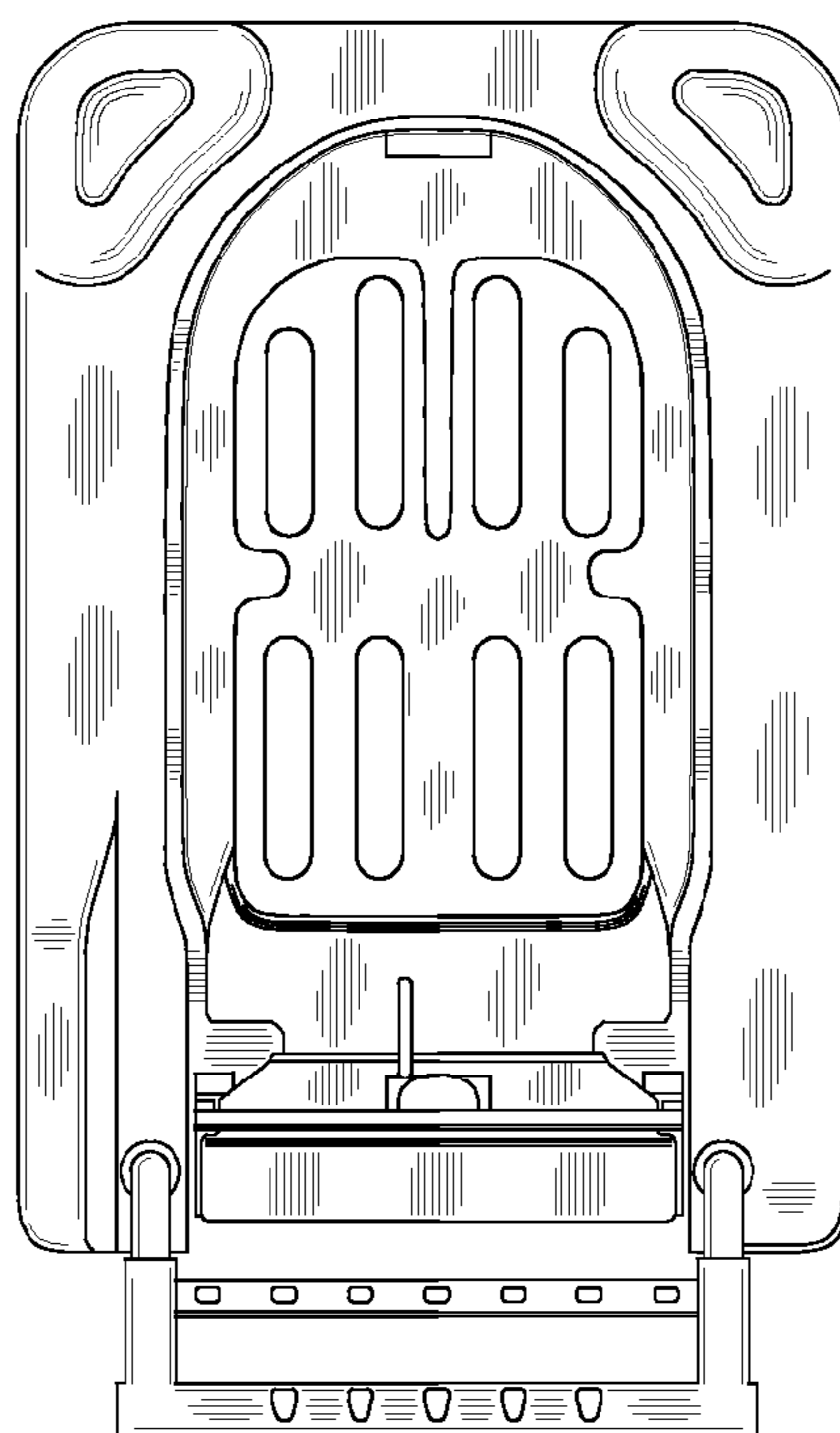


FIG. 19

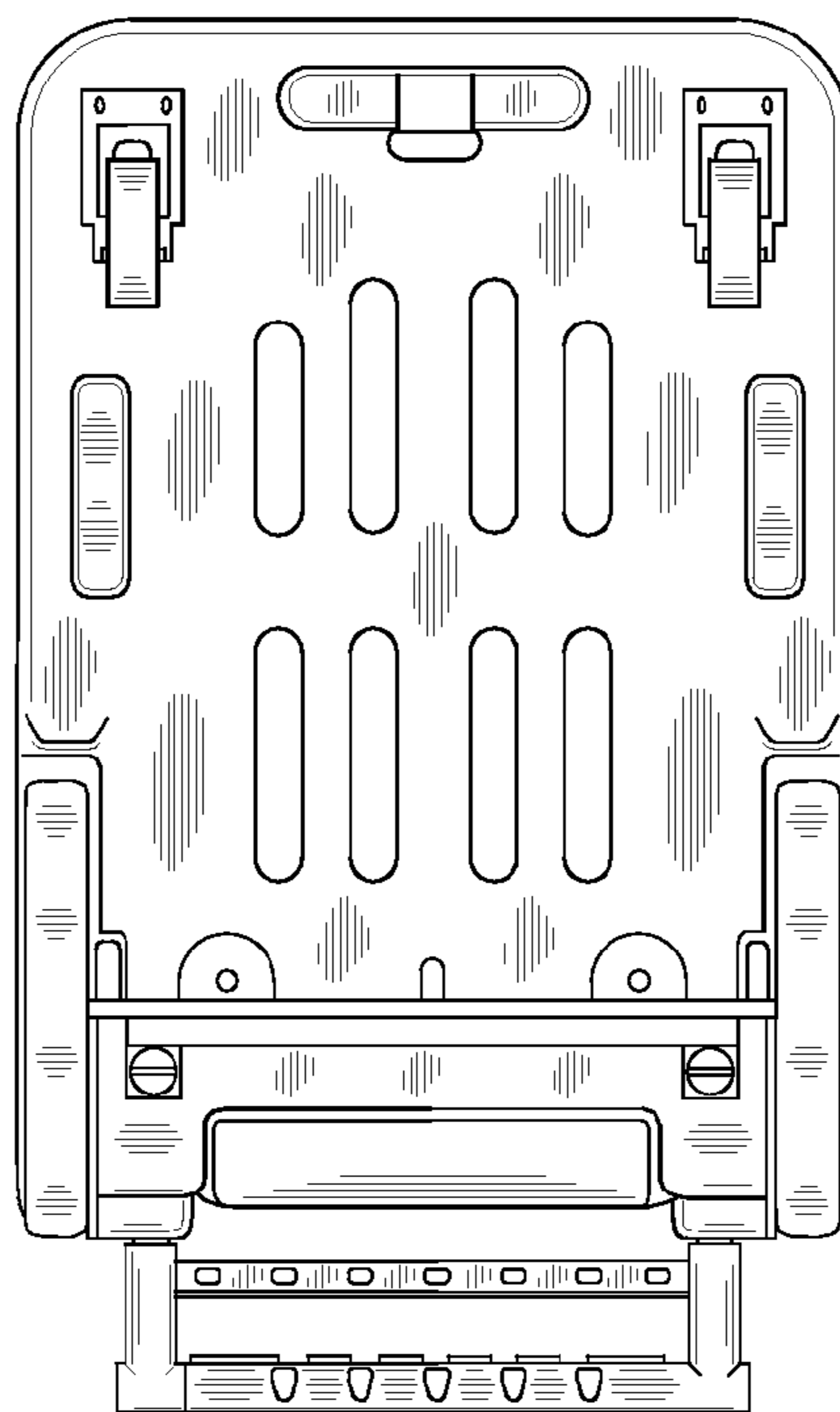


FIG. 20