



US00D570052S

(12) **United States Design Patent**
Py et al.

(10) **Patent No.:** **US D570,052 S**
(45) **Date of Patent:** **** May 27, 2008**

(54) **COSMETIC APPLICATOR**

(75) Inventors: **Daniel Py**, Stamford, CT (US); **Julian V. Chan**, Spring Valley, NY (US); **Stephanie Ferreira**, Bridgeport, CT (US); **Gladys Valencia**, Stamford, CT (US)

(73) Assignee: **Medical Instill Technologies, Inc.**, New Milford, CT (US)

(**) Term: **14 Years**

(21) Appl. No.: **29/291,014**

(22) Filed: **Aug. 10, 2007**

3,993,069 A	11/1976	Buckles et al.
4,002,516 A	1/1977	Gaborieau et al.
4,023,607 A	5/1977	Jensen et al.
4,050,459 A	9/1977	Sanchez
4,102,476 A	7/1978	Loeffler
4,141,474 A	2/1979	Nilson
4,185,628 A	1/1980	Kopfer
4,189,065 A	2/1980	Herold
4,233,262 A	11/1980	Curto
4,239,132 A	12/1980	Mueller et al.
4,240,465 A	12/1980	Rader
4,264,018 A	4/1981	Warren
4,367,739 A	1/1983	LeVeen et al.
4,420,100 A	12/1983	Mueller
4,458,830 A	7/1984	Werding
4,475,905 A	10/1984	Himmelstrup
4,479,578 A	10/1984	Brignola et al.

Related U.S. Application Data

(62) Division of application No. 29/265,236, filed on Aug. 28, 2006, now Pat. No. Des. 548,889, which is a division of application No. 29/240,538, filed on Oct. 14, 2005, now Pat. No. Des. 530,862, which is a division of application No. 29/190,956, filed on Sep. 29, 2003, now Pat. No. Des. 516,251.

- (51) **LOC (8) Cl.** **28-03**
- (52) **U.S. Cl.** **D28/89**
- (58) **Field of Classification Search** D28/7,
D28/73, 85-90; D9/529; 132/218, 293-307,
132/313-318, 320; 401/68, 75, 88, 266,
401/202

See application file for complete search history.

(56) **References Cited**

U.S. PATENT DOCUMENTS

1,471,091 A	10/1923	Bessesen	
2,128,035 A	8/1938	Boetel	
D185,828 S *	8/1959	Kent D28/90
3,412,910 A	11/1968	Hahn	
3,648,903 A	3/1972	Marchant	
3,662,753 A	5/1972	Tassell	
3,669,323 A	6/1972	Harker et al.	
3,699,961 A	10/1972	Szpur	
3,756,729 A	9/1973	Tufts	

(Continued)

FOREIGN PATENT DOCUMENTS

EP	0802827	12/1998
----	---------	---------

(Continued)

Primary Examiner—Jennifer Rivard
(74) *Attorney, Agent, or Firm*—McCarter & English, LLP

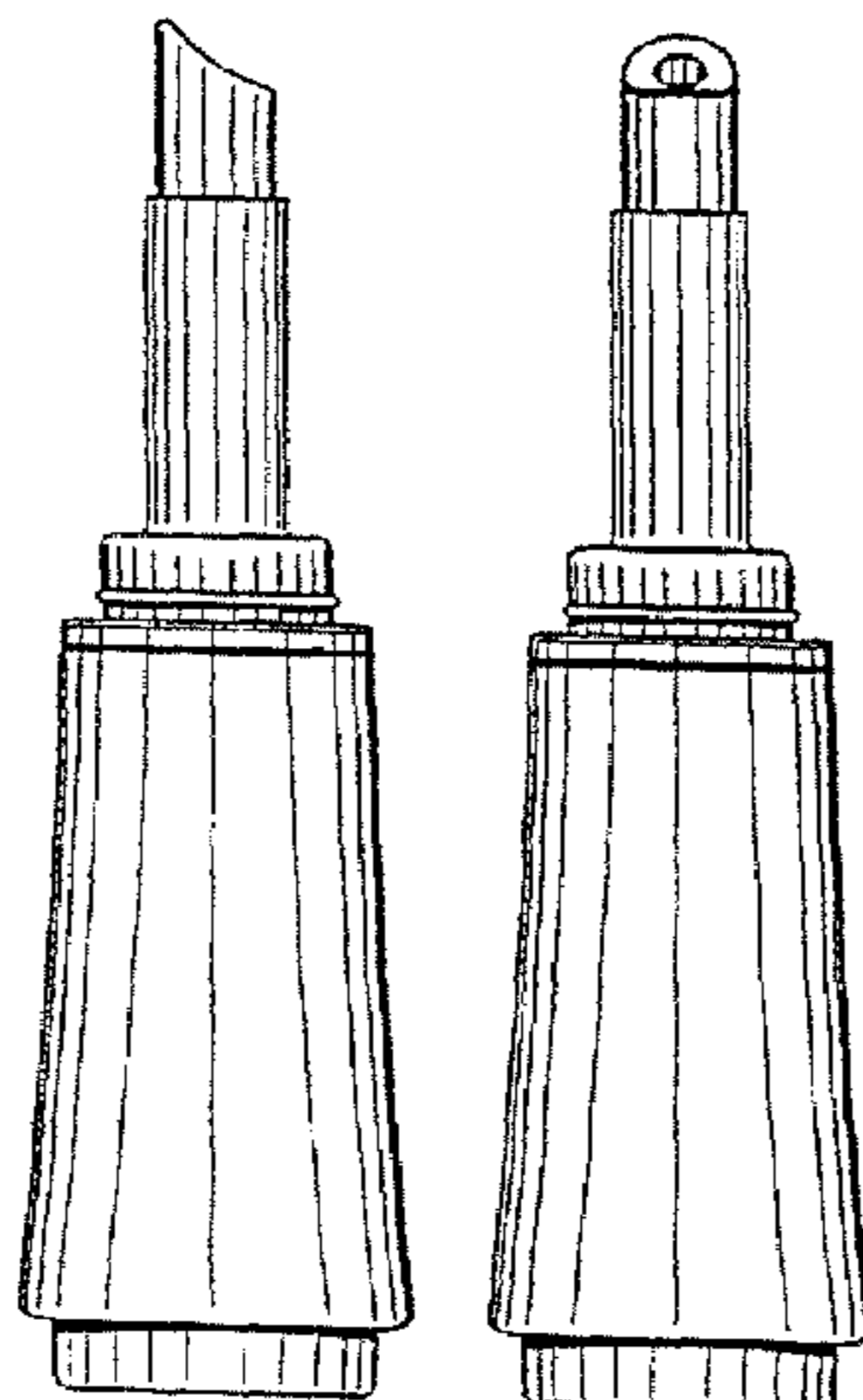
(57) **CLAIM**

We claim the ornamental design for a cosmetic applicator, as shown and described.

DESCRIPTION

FIG. 1 is a top perspective view of a cosmetic applicator showing our new design;
FIG. 2 is a rear perspective view of FIG. 1;
FIG. 3 is the side elevational view of FIG. 1;
FIG. 4 is a front elevational view of FIG. 1;
FIG. 5 is a top plan view of FIG. 1; and,
FIG. 6 is a bottom plan view FIG. 1.

1 Claim, 2 Drawing Sheets



US D570,052 S

U.S. PATENT DOCUMENTS					
4,700,838 A	10/1987	Falciani et al.	5,727,892 A	3/1998	Baudin
4,737,148 A	4/1988	Blake	5,728,075 A	3/1998	Levander
4,739,906 A	4/1988	LoTurco	5,730,322 A	3/1998	Iba et al.
4,776,717 A	10/1988	Iizuka et al.	5,743,441 A	4/1998	Baudin et al.
4,784,652 A	11/1988	Wikström	5,743,889 A	4/1998	Sams
4,842,165 A	6/1989	Van Coney	5,772,347 A	6/1998	Gueret
4,854,481 A	8/1989	Bohl et al.	5,780,130 A	7/1998	Hansen et al.
4,854,486 A	8/1989	Daley et al.	5,785,683 A	7/1998	Szapiro et al.
4,865,591 A	9/1989	Sams	5,799,837 A	9/1998	Firestone et al.
4,895,279 A	1/1990	Schultz	5,803,311 A	9/1998	Fuchs
4,903,741 A	2/1990	Ibanez	5,804,236 A	9/1998	Frisk
4,910,147 A	3/1990	Bacehowski et al.	5,823,397 A	10/1998	Gil
4,936,833 A	6/1990	Sams	5,829,901 A	11/1998	Brown et al.
D309,044 S *	7/1990	McCready D28/85	5,855,302 A	1/1999	Fisscher
4,949,877 A	8/1990	Hanna et al.	5,876,372 A	3/1999	Grabenkort et al.
4,962,868 A	10/1990	Borchard	5,879,095 A	3/1999	Gueret
4,973,318 A	11/1990	Holm et al.	5,879,336 A	3/1999	Brinon
4,978,036 A	12/1990	Burd	5,899,624 A	5/1999	Thompson
5,033,647 A	7/1991	Smith et al.	5,931,386 A	8/1999	Jouillat
5,083,416 A	1/1992	Schneider et al.	5,934,500 A	8/1999	Cogger et al.
5,102,705 A	4/1992	Yammoto et al.	RE36,410 E	11/1999	Meshberg
5,108,007 A	4/1992	Smith et al.	6,004,298 A	12/1999	Levander
5,178,300 A	1/1993	Haviv et al.	6,050,444 A	4/2000	Sugg
5,197,638 A	3/1993	Wood	6,053,370 A	4/2000	Ludbrook et al.
5,226,568 A	7/1993	Newton et al.	6,062,430 A	5/2000	Fuchs
5,226,895 A	7/1993	Harris	6,062,437 A	5/2000	Mascitelli
5,238,153 A	8/1993	Castillo et al.	6,083,201 A	7/2000	Skinkle
5,244,465 A	9/1993	Michel	6,083,450 A	7/2000	Safian
5,253,785 A	10/1993	Haber et al.	6,145,707 A	11/2000	Baudin
5,290,260 A	3/1994	Stines	6,170,705 B1	1/2001	Schneider et al.
5,318,204 A	6/1994	Davis et al.	6,186,686 B1	2/2001	Neuner et al.
5,320,256 A	6/1994	Wood	6,200,047 B1	3/2001	Holloway
5,332,121 A	7/1994	Schmidt et al.	6,202,901 B1	3/2001	Gerber et al.
5,339,972 A	8/1994	Crosnier et al.	6,234,363 B1	5/2001	Stradella
5,360,145 A	11/1994	Gueret	6,254,579 B1	7/2001	Cogger et al.
5,416,303 A	5/1995	Grooms et al.	6,325,253 B1	12/2001	Robinson
5,419,465 A	5/1995	Schroeder	6,338,442 B1	1/2002	De Laforcade
5,425,465 A	6/1995	Healy	6,343,713 B1	2/2002	Abplanalp
5,429,254 A	7/1995	Christine	6,351,924 B1	3/2002	Gustafsson et al.
5,489,026 A	2/1996	D'Aloia	6,357,945 B1	3/2002	Losier et al.
5,489,027 A	2/1996	Goerigk	6,371,129 B1	4/2002	Le Bras-Brown et al.
RE35,187 E	3/1996	Gortz	6,383,167 B2	5/2002	Kirchhofer et al.
5,497,910 A	3/1996	Meadows et al.	6,386,395 B1	5/2002	Lunghetti
5,545,147 A	8/1996	Harris	6,419,412 B1	7/2002	Ostrowski et al.
5,556,678 A	9/1996	Jupin et al.	6,446,844 B1	9/2002	Gross
5,562,960 A	10/1996	Sugiura et al.	6,450,994 B1	9/2002	Boyles et al.
5,564,596 A	10/1996	Meadows et al.	6,502,725 B1	1/2003	Alexander
5,565,160 A	10/1996	Makuuchi et al.	D471,324 S *	3/2003	Kalin D28/85
5,582,330 A	12/1996	Iba	6,533,482 B1	3/2003	Byun
5,582,598 A	12/1996	Chanoch	D479,017 S *	8/2003	Sgariboldi D28/85
5,591,136 A	1/1997	Gabriel	D496,496 S *	9/2004	Ditrichstein et al. D28/85
5,609,273 A	3/1997	Firestone et al.	D505,519 S *	5/2005	Korba D28/85
5,615,795 A	4/1997	Tipps	2001/0009990 A1	7/2001	Hostettler et al.
5,630,800 A	5/1997	Blank et al.	2002/0054783 A1 *	5/2002	Gueret 401/202
5,636,930 A	6/1997	Holloway	2002/0071708 A1	6/2002	Fontanet et al.
5,641,004 A	6/1997	Py	2004/0161292 A1 *	8/2004	Breidenbach et al. 401/266
5,664,704 A	9/1997	Meadows et al.	2005/0047848 A1 *	3/2005	Carraher 401/266
5,676,267 A	10/1997	Slat et al.	2006/0198686 A1 *	9/2006	Hetzel 401/266
5,687,882 A	11/1997	Mueller			
5,692,651 A	12/1997	Fuchs			
5,702,019 A	12/1997	Grimard			
5,718,334 A	2/1998	Demel			

FOREIGN PATENT DOCUMENTS

EP	0649795	6/1999
EP	0673852	2/2000

* cited by examiner

FIG. 2

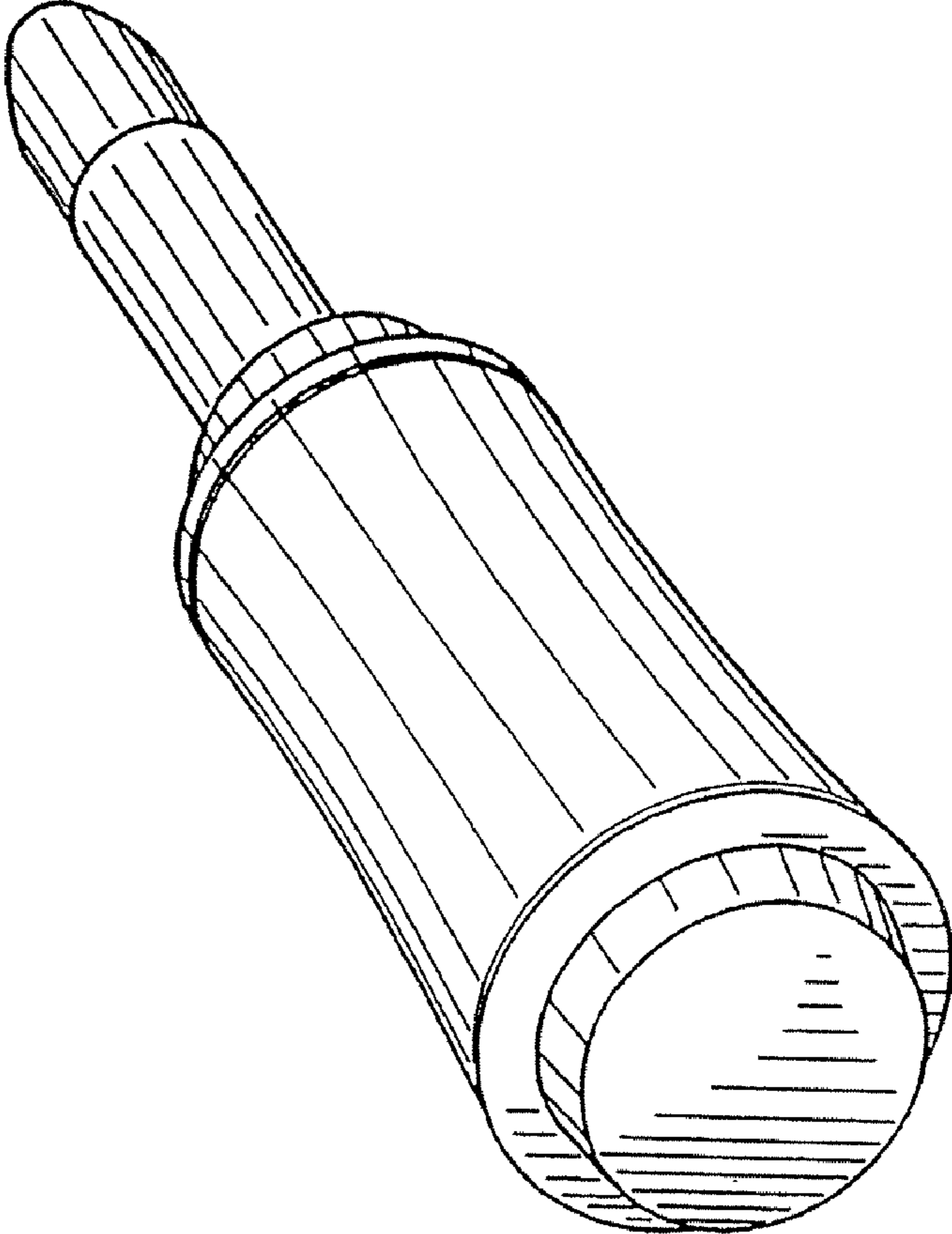


FIG. 1

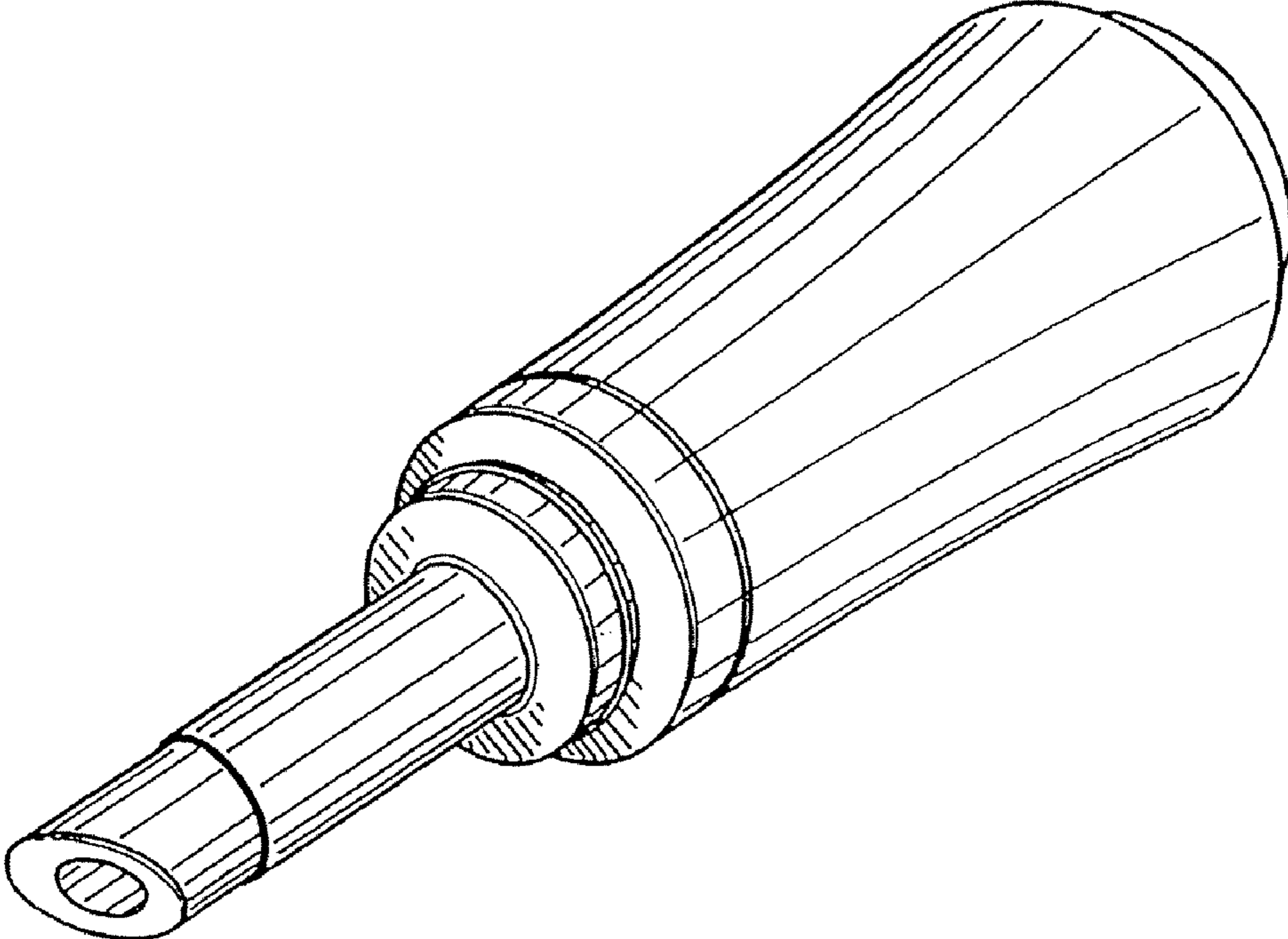


FIG. 3

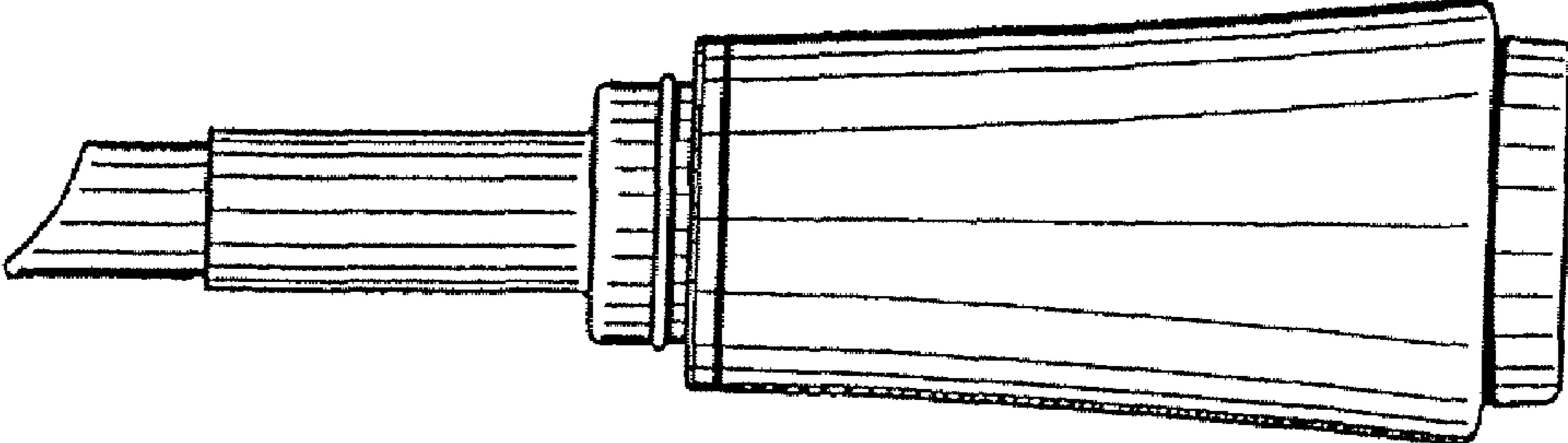


FIG. 4

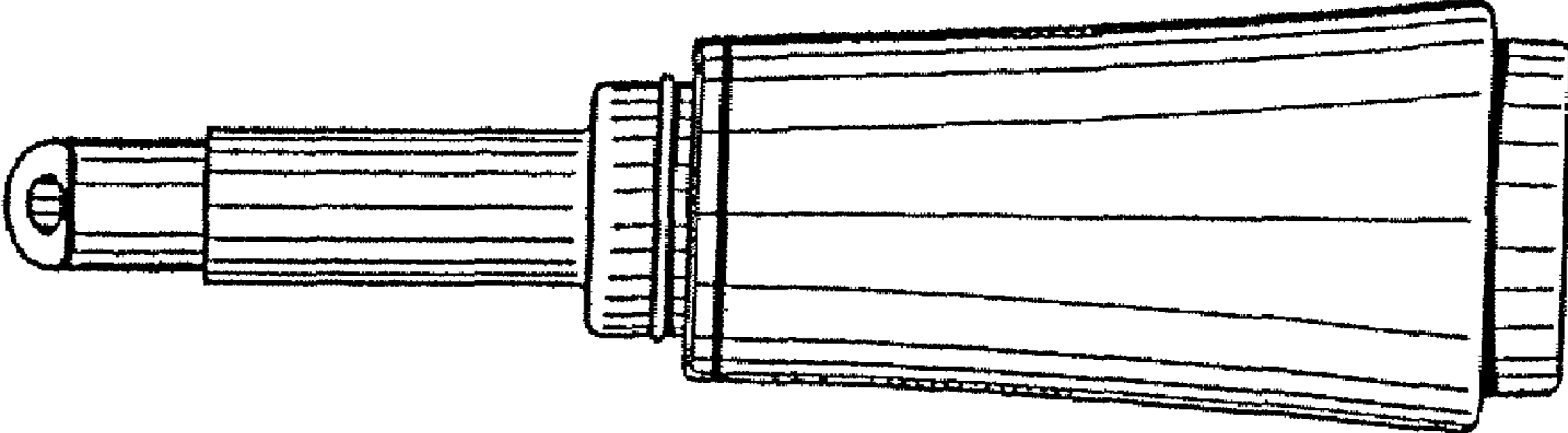


FIG. 5

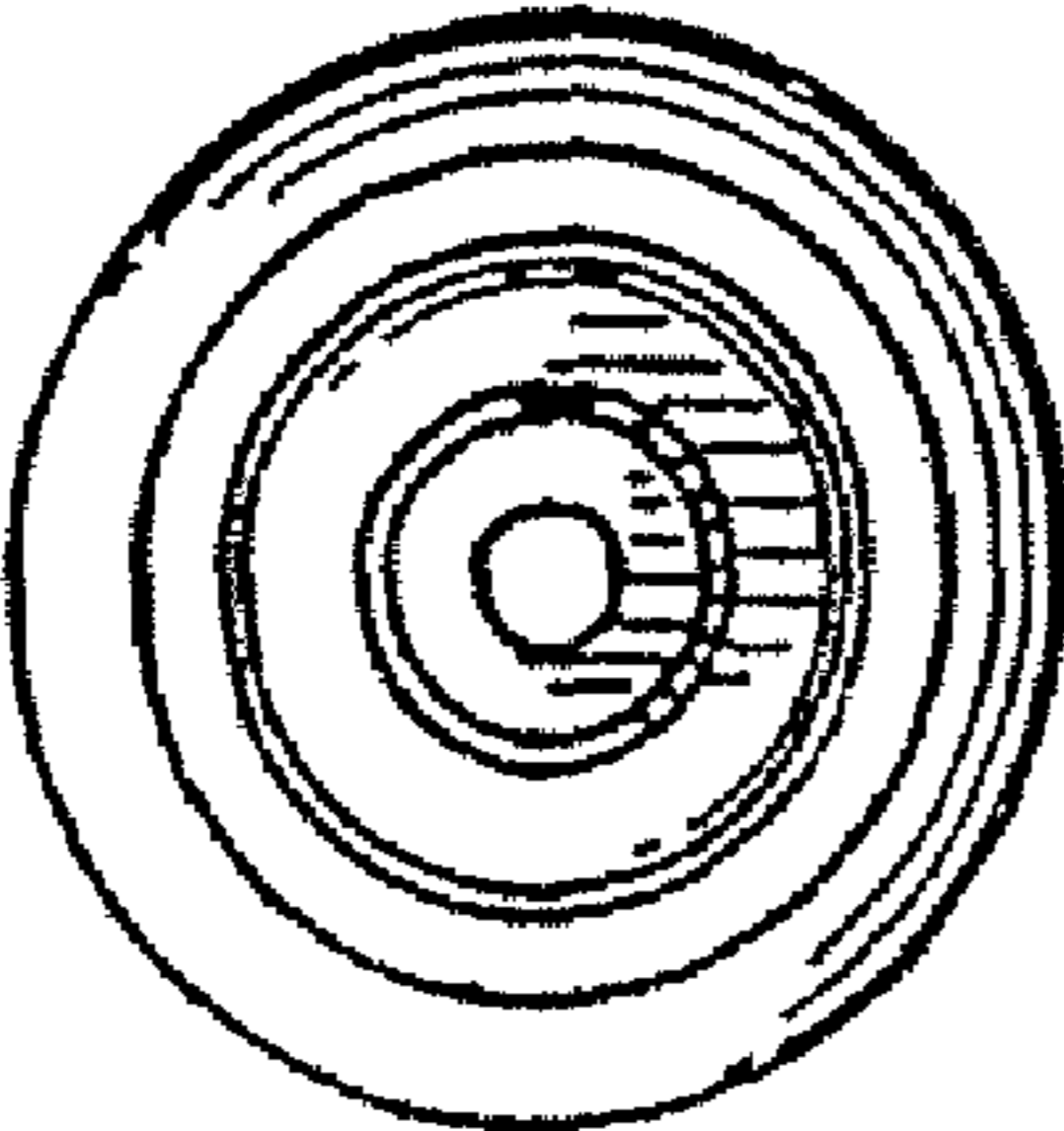


FIG. 6

