



US00D570049S

(12) **United States Design Patent**  
**Harrison, III**

(10) **Patent No.:** **US D570,049 S**

(45) **Date of Patent:** **\*\* May 27, 2008**

(54) **COSMETIC TWEEZER**

(76) Inventor: **Louie V. Harrison, III**, P.O. Box 761,  
Winona, MS (US) 38967-0761

(\*\*) Term: **14 Years**

(21) Appl. No.: **29/280,136**

(22) Filed: **May 17, 2007**

(51) **LOC (8) Cl.** ..... **28-03**

(52) **U.S. Cl.** ..... **D28/55**

(58) **Field of Classification Search** ..... D28/55;  
D24/143; 606/210, 211; 294/99.2  
See application file for complete search history.

(56) **References Cited**

U.S. PATENT DOCUMENTS

2,089,177	A *	8/1937	Beldue	.....	606/133
D157,104	S *	1/1950	Tuttle et al.	.....	D28/55
3,664,346	A *	5/1972	Dunn	.....	606/133
6,146,139	A *	11/2000	Harrison, III	.....	606/210
D481,827	S *	11/2003	Rollins	.....	D28/55

\* cited by examiner

*Primary Examiner*—Jennifer Rivard  
(74) *Attorney, Agent, or Firm*—Wyatt, Tarrant & Combs, LLP

(57) **CLAIM**

I claim the ornamental design for a cosmetic tweezer, as shown and described.

**DESCRIPTION**

FIG. 1 is a perspective view of a cosmetic tweezer showing my new design;

FIG. 2 is a left side view thereof, the right side view being a mirror image thereof;

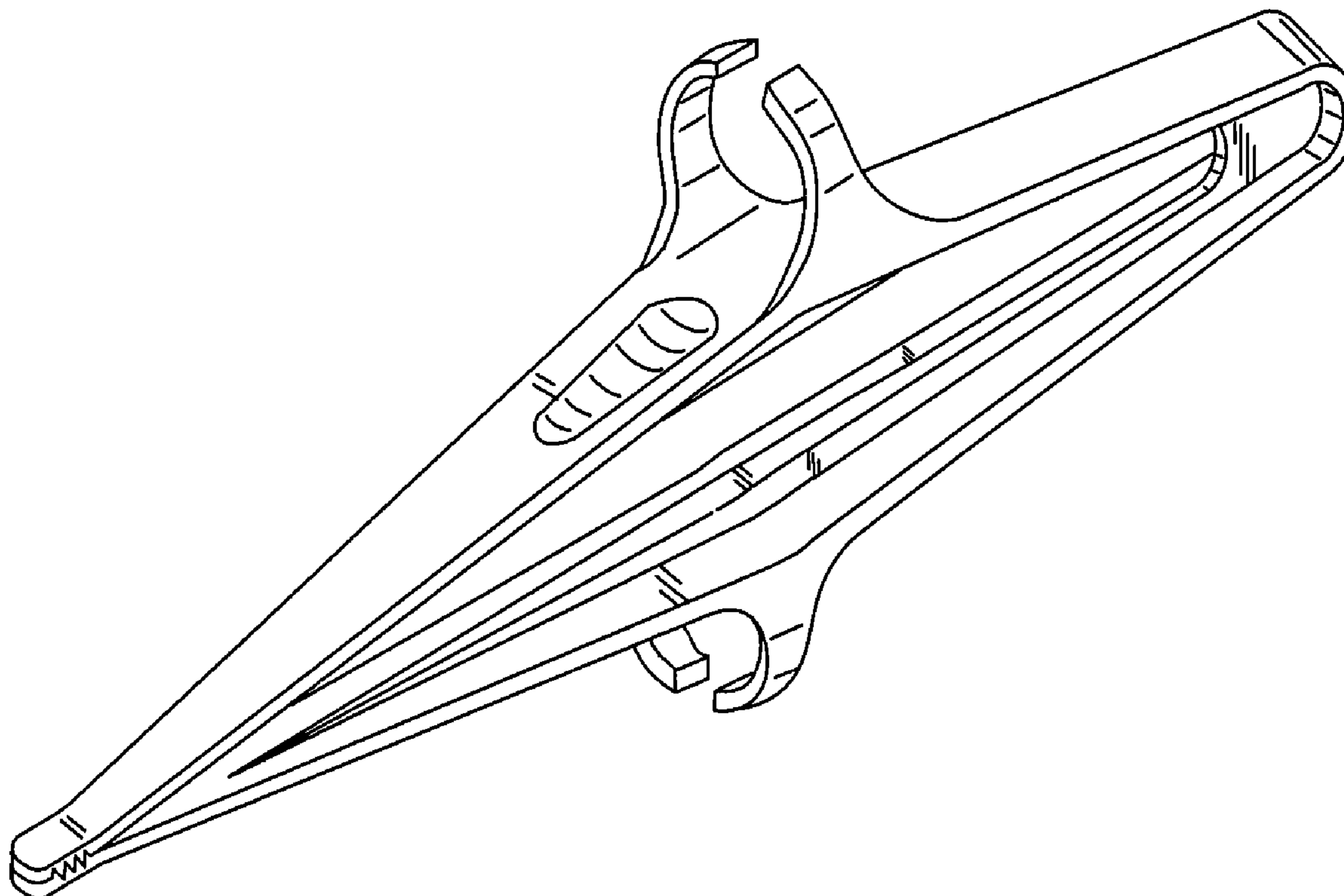
FIG. 3 is a top view thereof, the bottom view being a mirror image thereof;

FIG. 4 is a front view thereof; and,

FIG. 5 is a rear view thereof.

The broken lines are shown for illustrative purposes only and form no part of the claimed design.

**1 Claim, 1 Drawing Sheet**



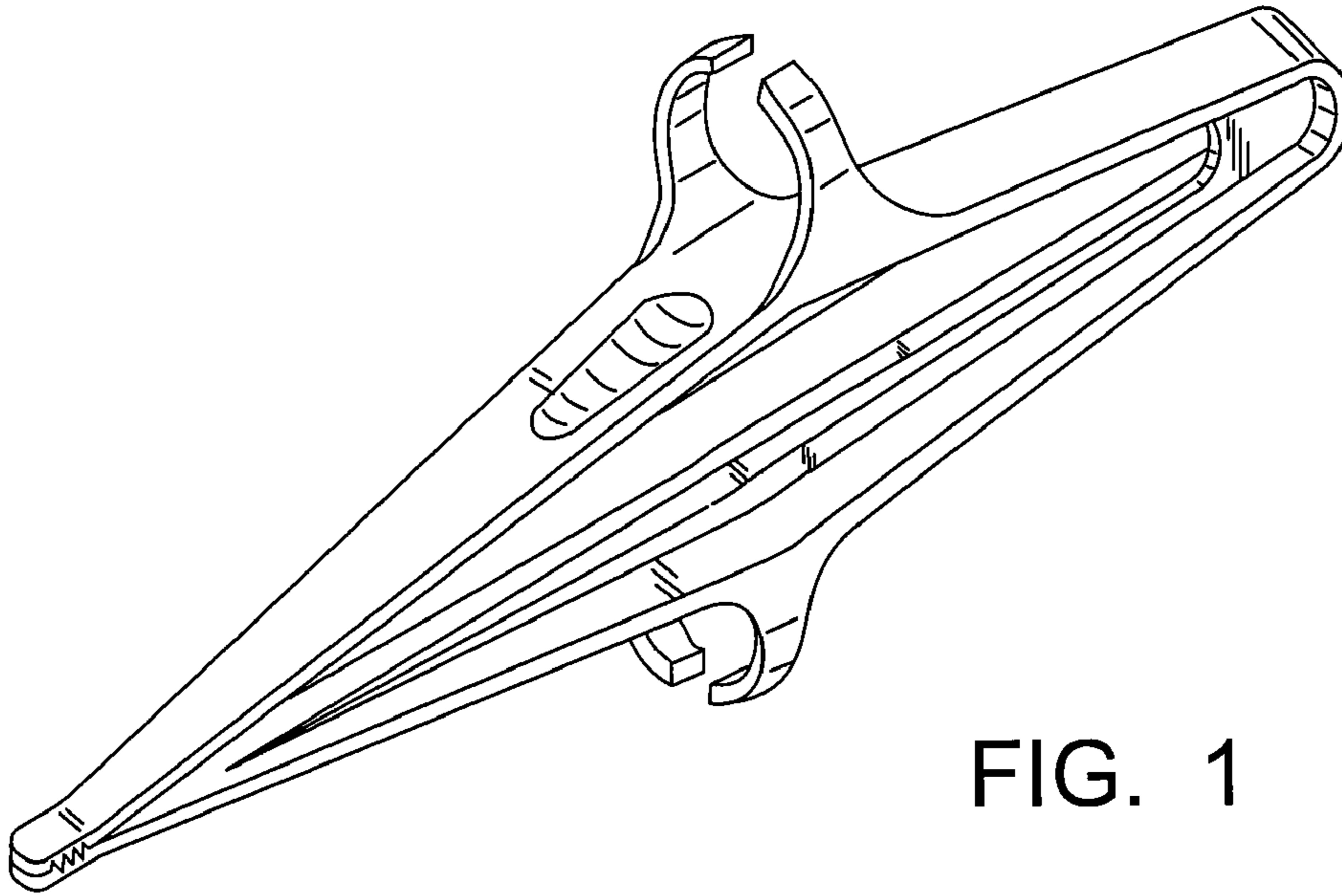


FIG. 1

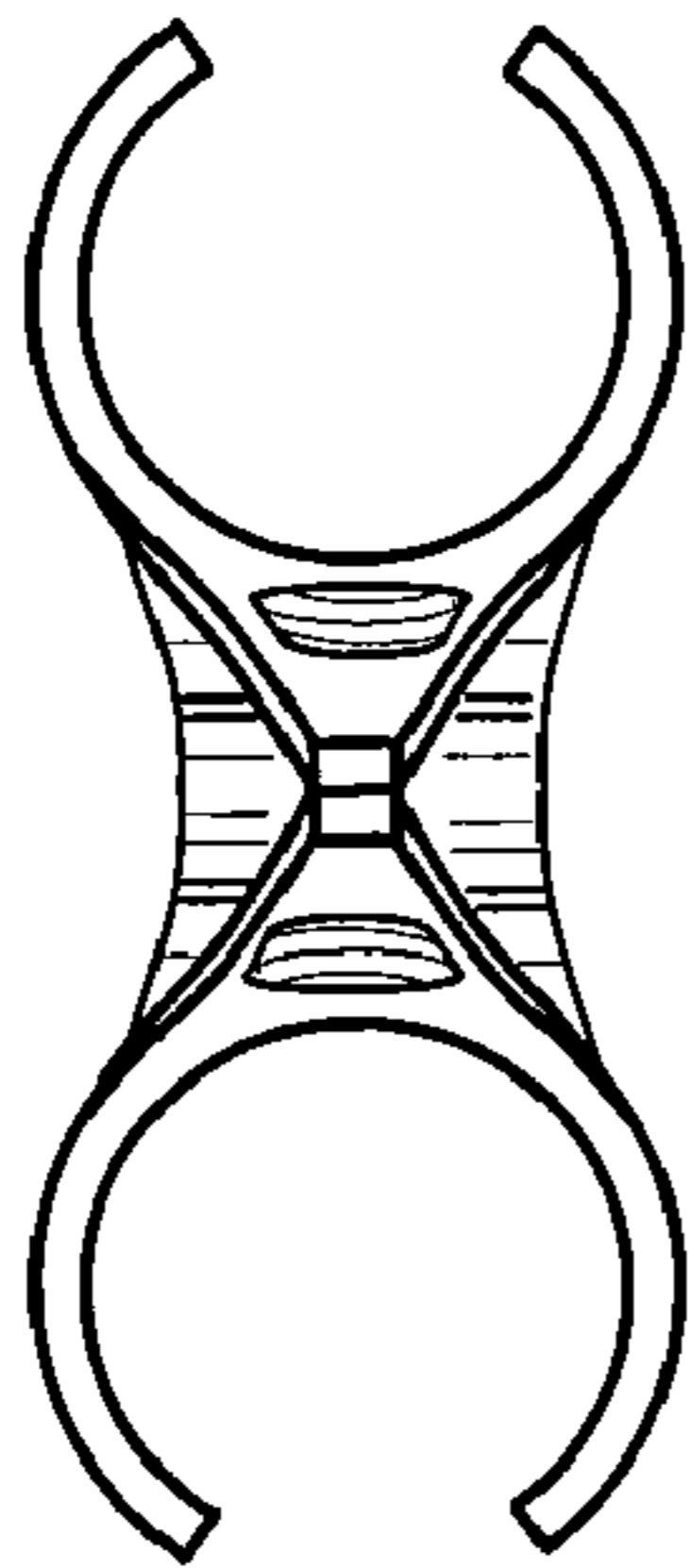


FIG. 4

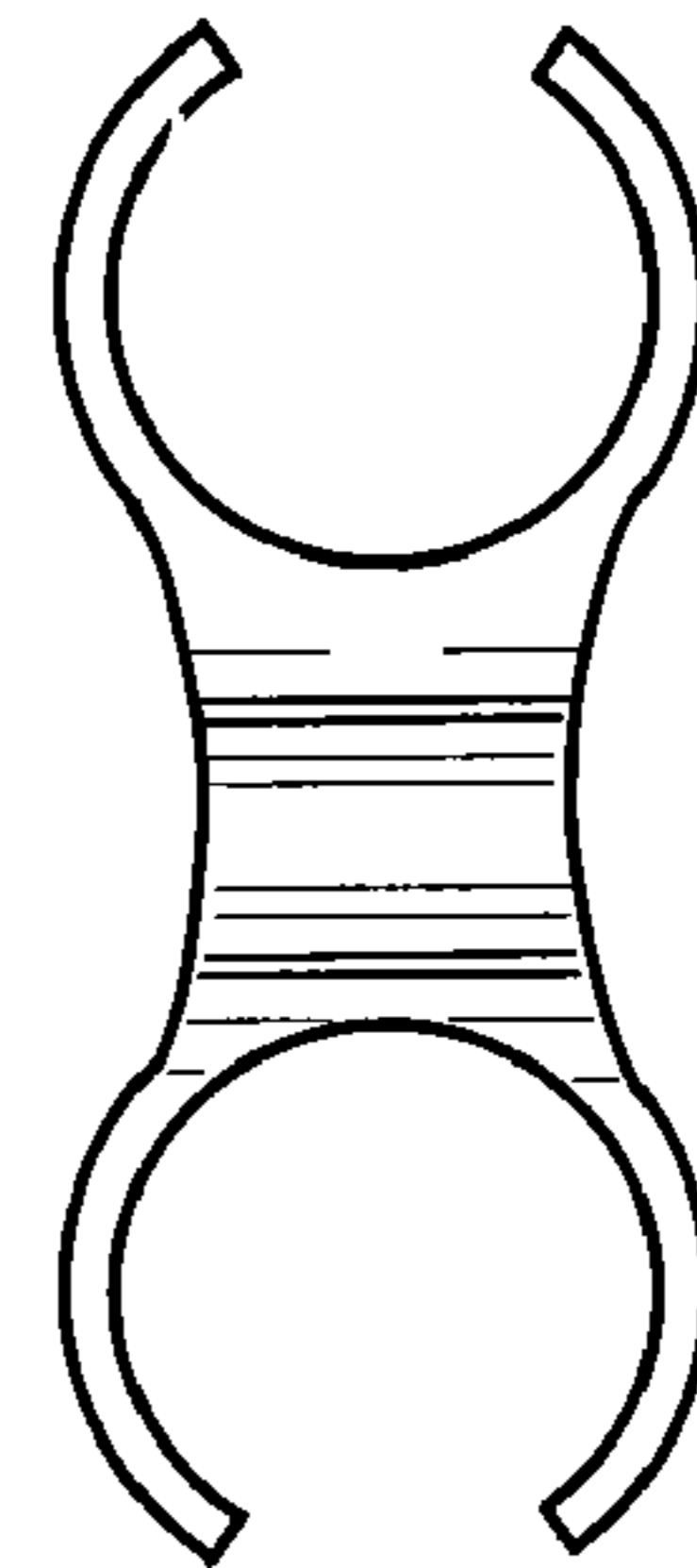


FIG. 5

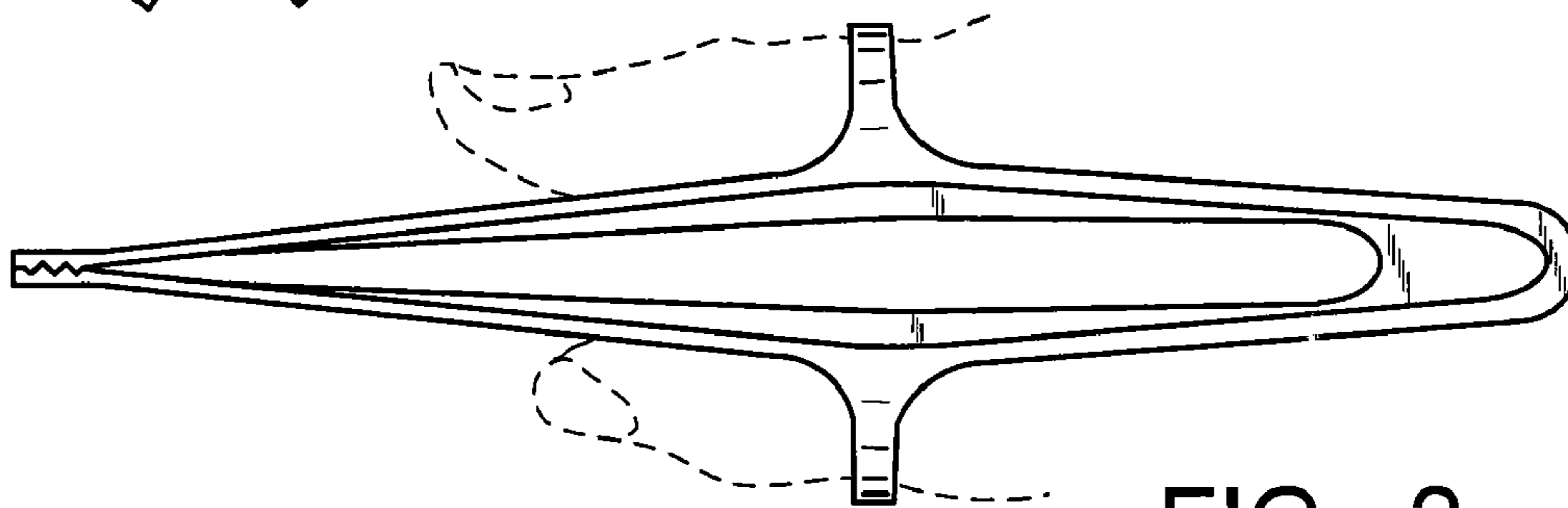


FIG. 2

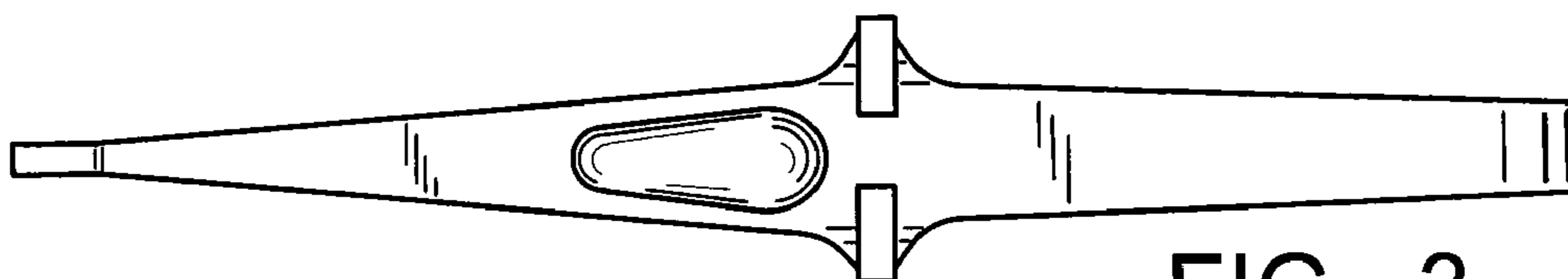


FIG. 3