

US00D570046S

(12) **United States Design Patent**  
**Leung**

(10) **Patent No.:** **US D570,046 S**

(45) **Date of Patent:** **\*\* May 27, 2008**

(54) **CURLING IRON**

D559,446 S \* 1/2008 Leung ..... D28/35

(75) Inventor: **Anthony Kit Lun Leung**, North Point  
(CN)

\* cited by examiner

*Primary Examiner*—Jennifer Rivard

(73) Assignee: **Conair Corporation**, Stamford, CT  
(US)

(74) *Attorney, Agent, or Firm*—Lawrence Cruz

(\*\*) Term: **14 Years**

(57) **CLAIM**

(21) Appl. No.: **29/288,743**

The ornamental design for a curling iron, as shown and described.

(22) Filed: **Jun. 21, 2007**

**DESCRIPTION**

(51) **LOC (8) Cl.** ..... **28-03**

FIG. 1 is a perspective view of a curling iron showing a new design;

(52) **U.S. Cl.** ..... **D28/35**

FIG. 2 is a front view thereof;

(58) **Field of Classification Search** ..... D28/35;  
132/222–225, 227–229, 236, 245; 219/222,  
219/225, 226

FIG. 3 is a rear view thereof;

FIG. 4 is a right side view thereof;

See application file for complete search history.

FIG. 5 is a left side view thereof;

FIG. 6 is a top view thereof; and,

(56) **References Cited**

FIG. 7 is a bottom view thereof;

**U.S. PATENT DOCUMENTS**

The broken lines are shown for illustrative purposes only and form no part of the claimed design.

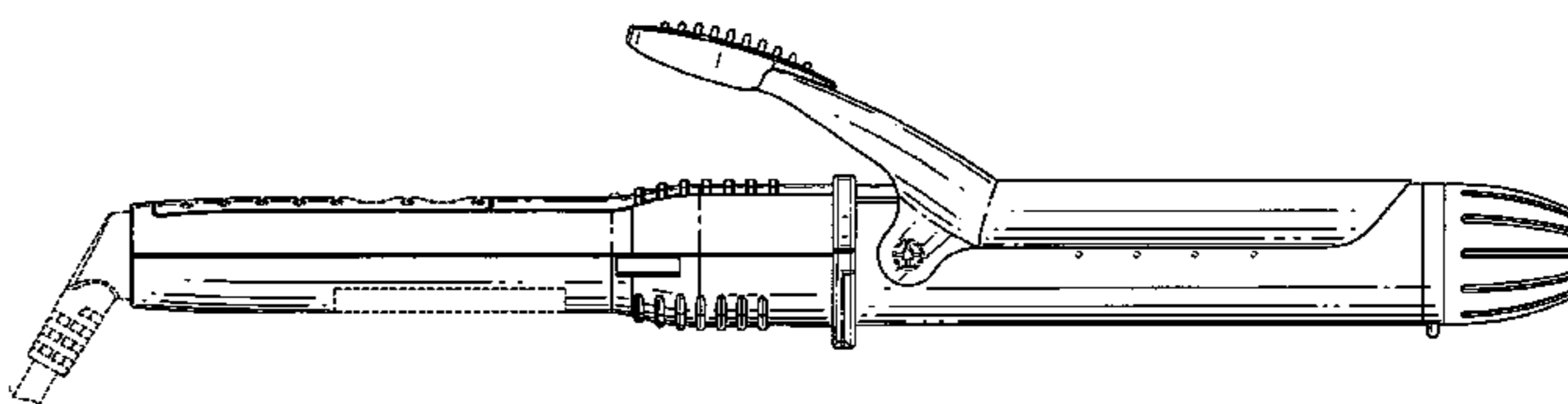
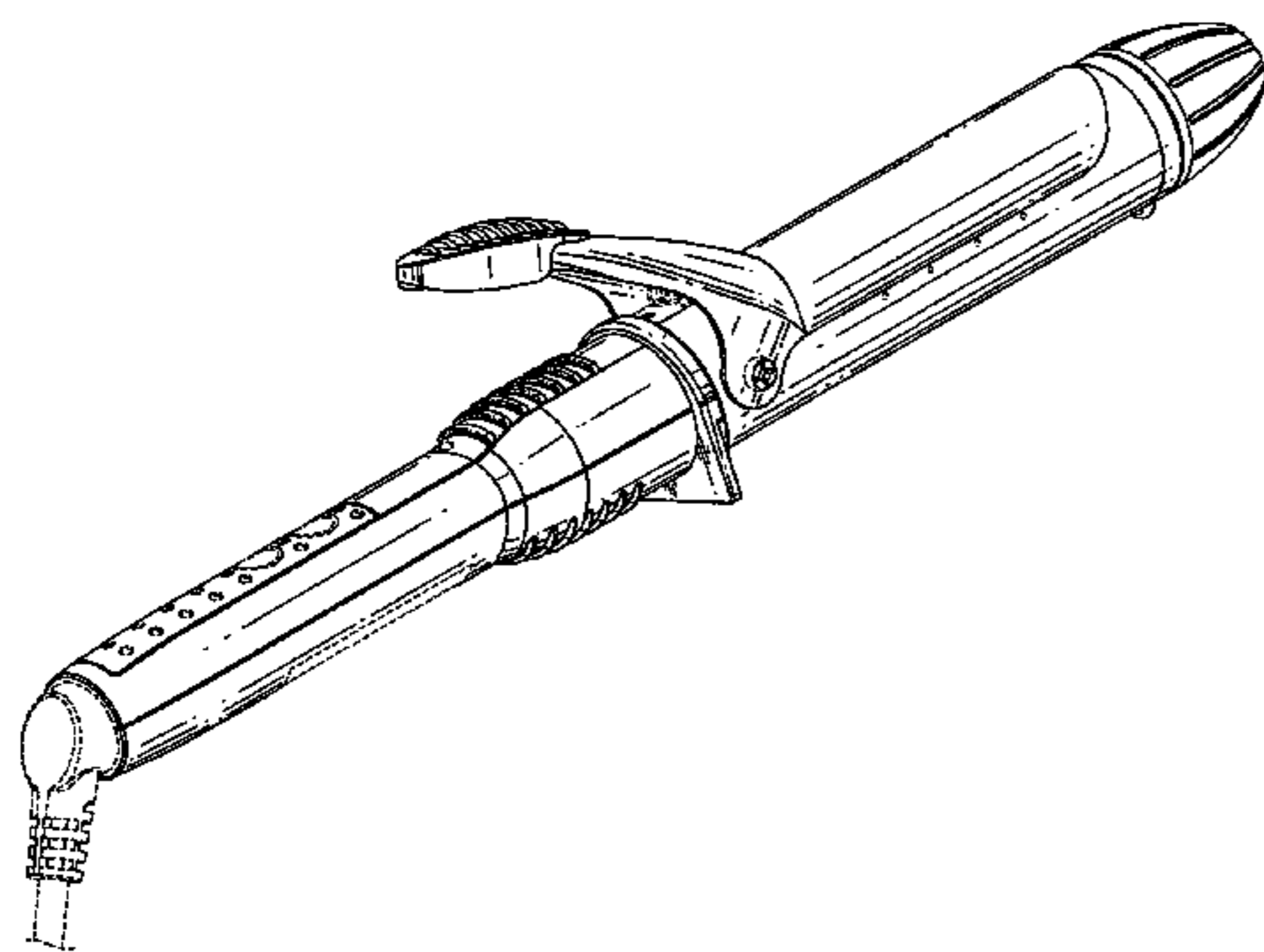
4,731,519 A \* 3/1988 Dieterle et al. .... 219/225

D469,576 S \* 1/2003 Spagnolo ..... D28/35

D547,903 S \* 7/2007 Rizzuto, Jr. .... D28/35

D556,949 S \* 12/2007 Leung ..... D28/35

**1 Claim, 3 Drawing Sheets**



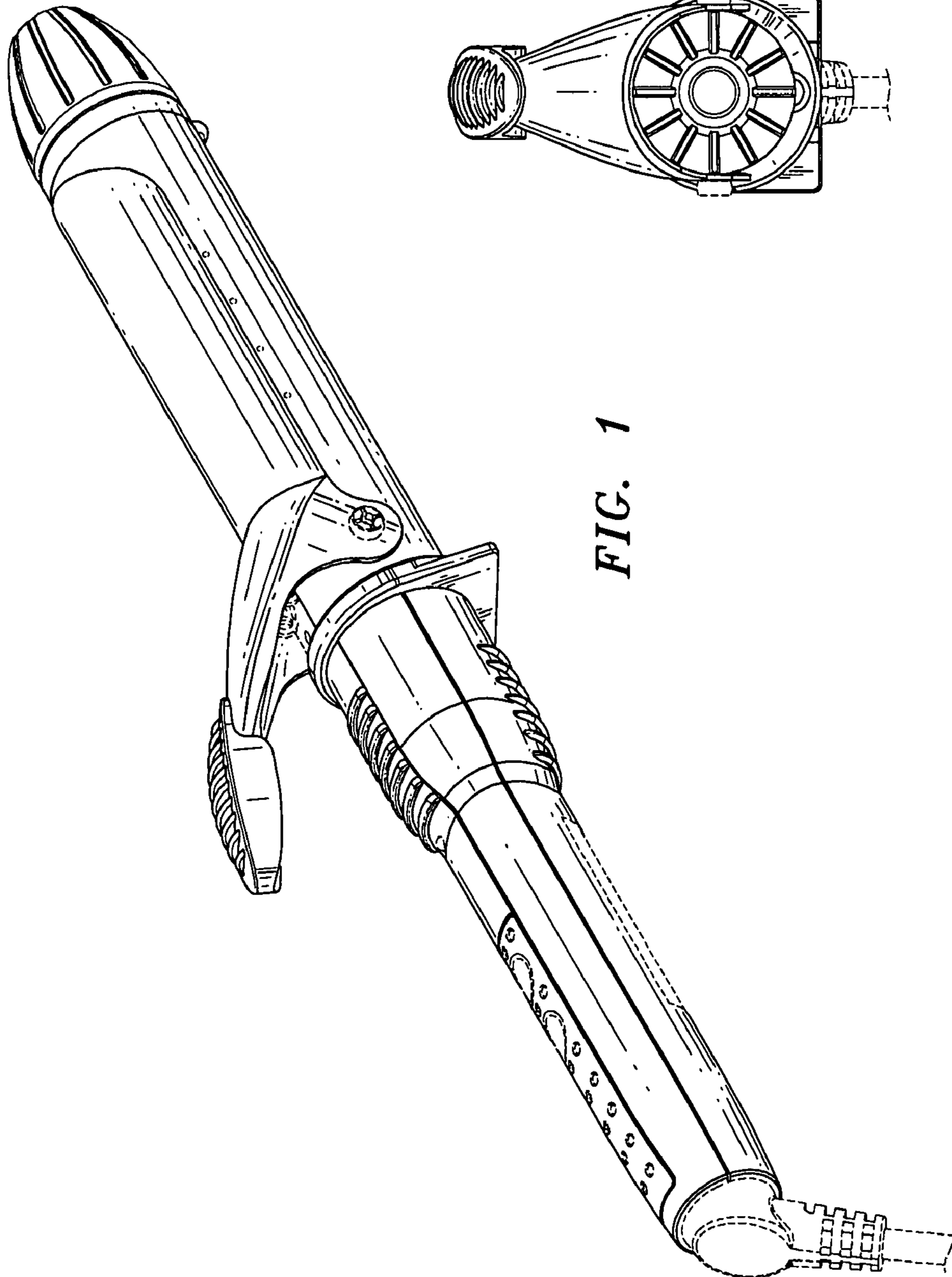


FIG. 1

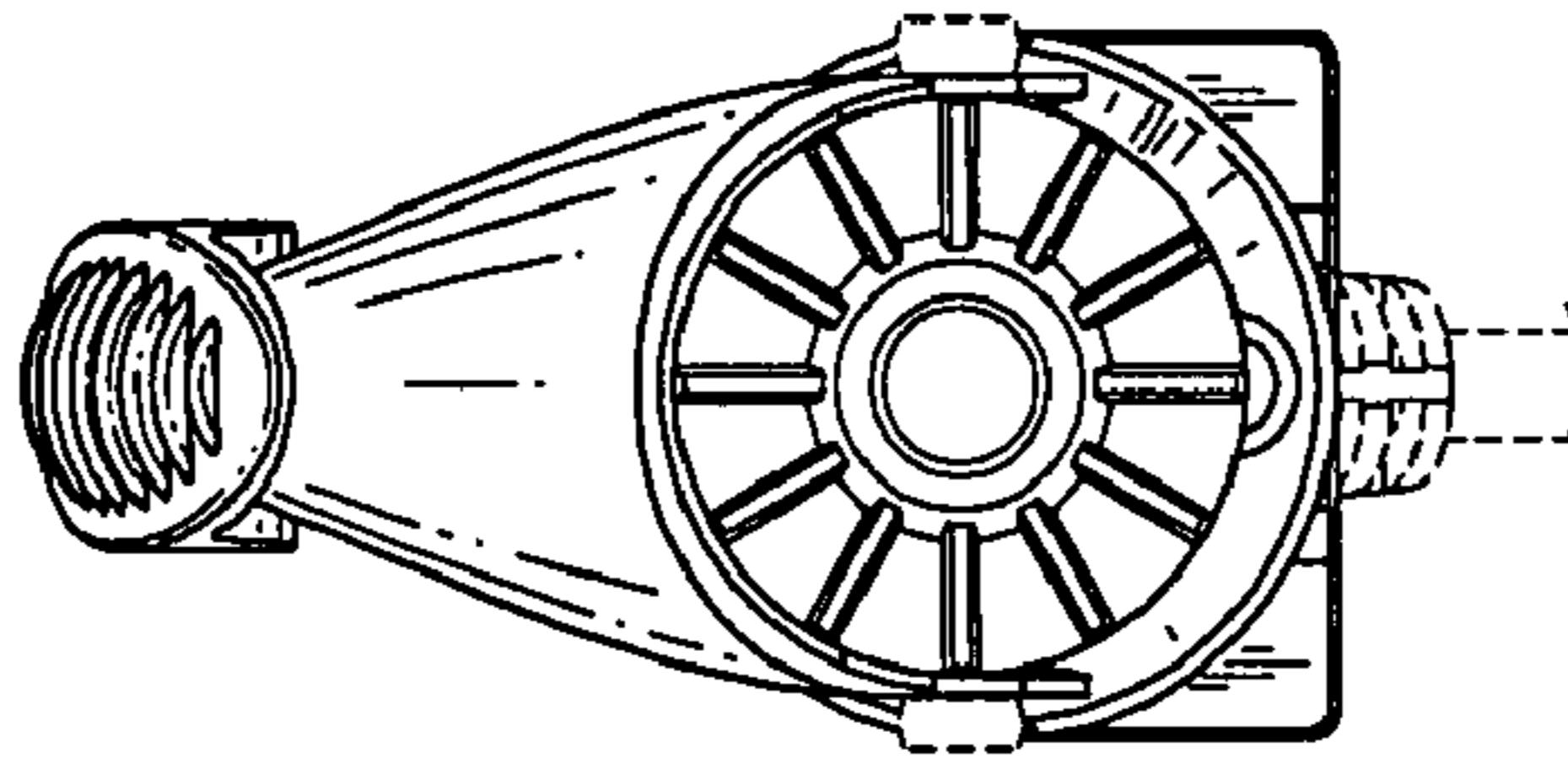


FIG. 2

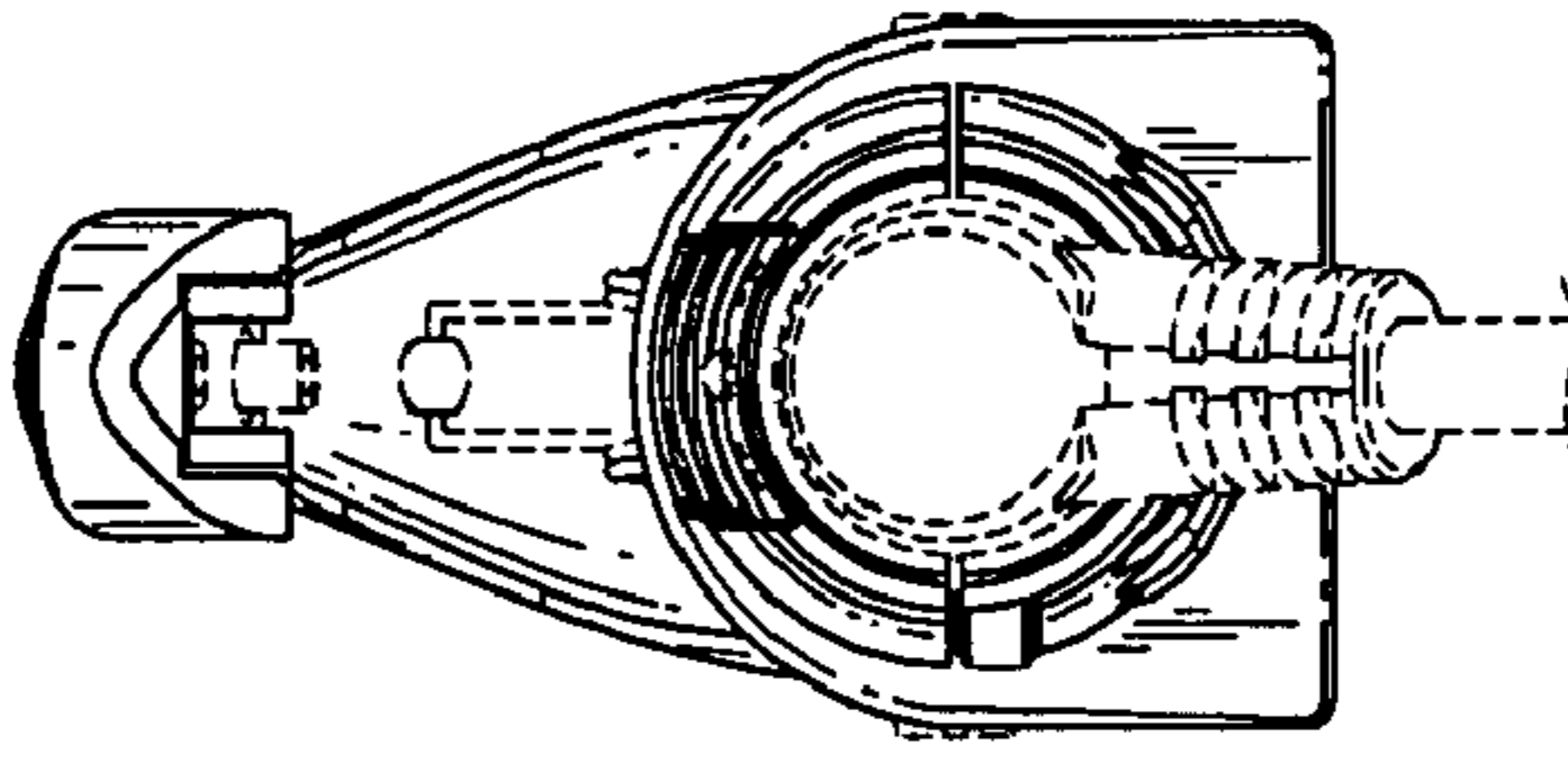


FIG. 3

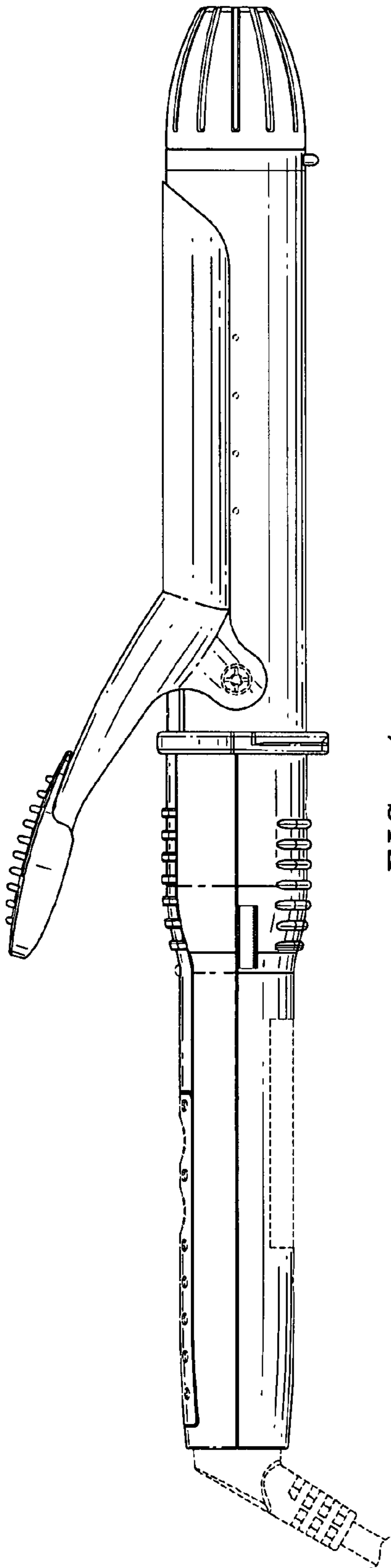


FIG. 4

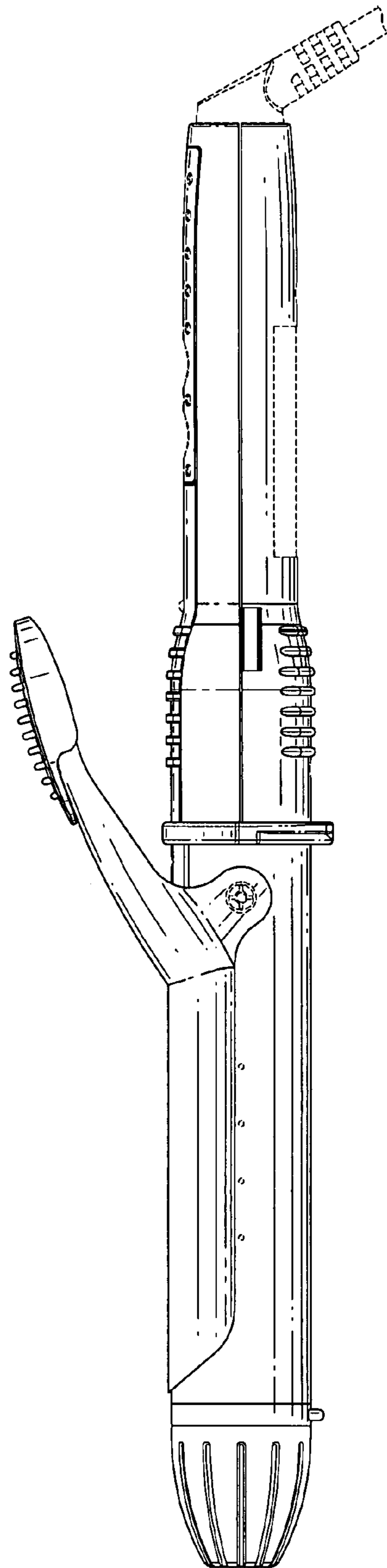


FIG. 5

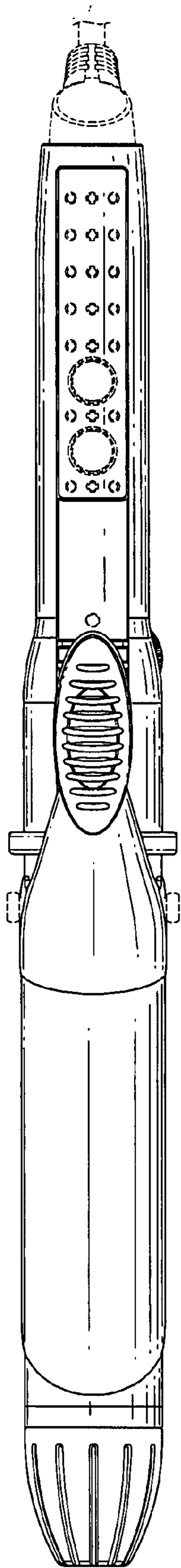


FIG. 6

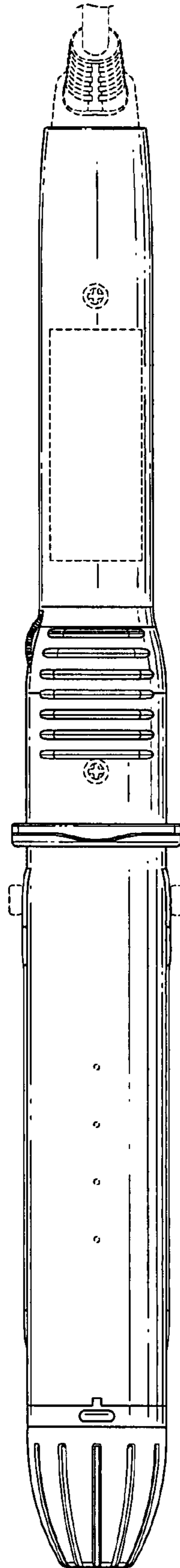


FIG. 7