



US00D570043S

(12) **United States Design Patent**
Leung

(10) **Patent No.:** **US D570,043 S**

(45) **Date of Patent:** **** May 27, 2008**

(54) **HAIR STRAIGHTENER**

(75) Inventor: **Anthony Kit Lun Leung**, North Point (CN)

(73) Assignee: **Conair Corporation**, Stamford, CT (US)

(**) Term: **14 Years**

(21) Appl. No.: **29/288,445**

(22) Filed: **Jun. 12, 2007**

(51) **LOC (8) Cl.** **28-03**

(52) **U.S. Cl.** **D28/35**

(58) **Field of Classification Search** D28/35;
132/222-225, 227-229, 236, 245; 219/222,
219/225, 226

See application file for complete search history.

(56) **References Cited**

U.S. PATENT DOCUMENTS

D480,176 S * 9/2003 Ouellette D28/35

D550,900 S * 9/2007 Kuchler et al. D28/35

D551,388 S * 9/2007 Kuchler et al. D28/35
* cited by examiner

Primary Examiner—Jennifer Rivard

(74) *Attorney, Agent, or Firm*—Lawrence Cruz

(57) **CLAIM**

The ornamental design for a hair straightener, as shown and described.

DESCRIPTION

FIG. 1 is a perspective view of a hair straightener showing a new design;

FIG. 2 is a right side view thereof;

FIG. 3 is a top view thereof;

FIG. 4 is a left side view thereof;

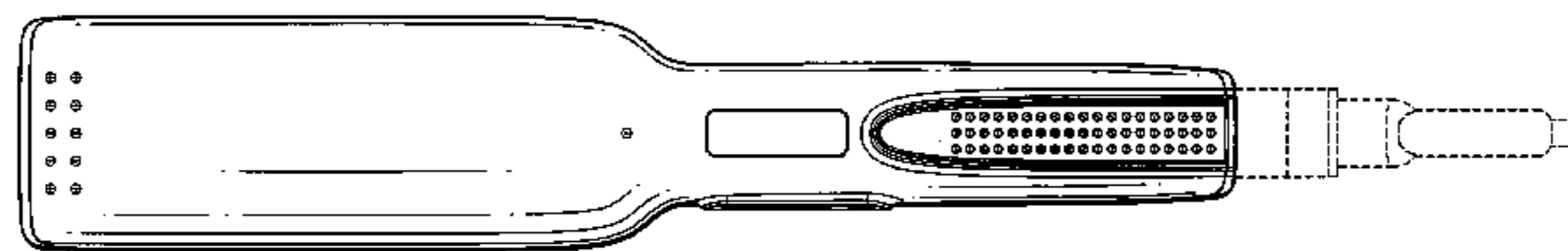
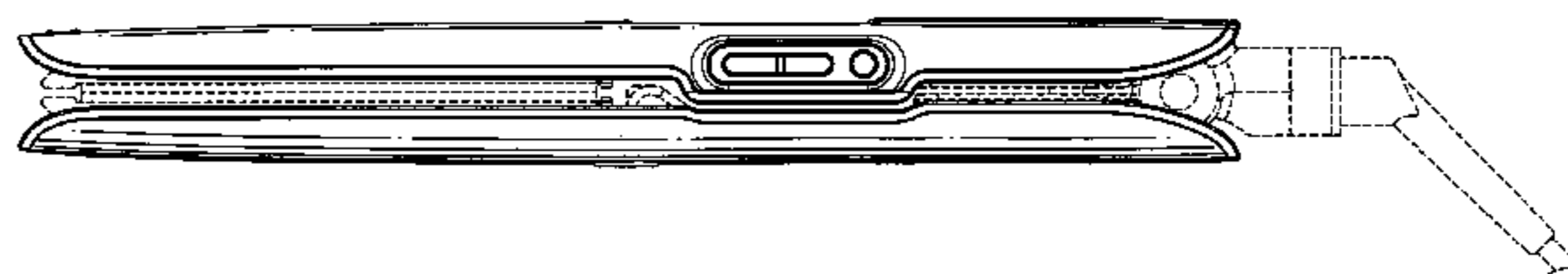
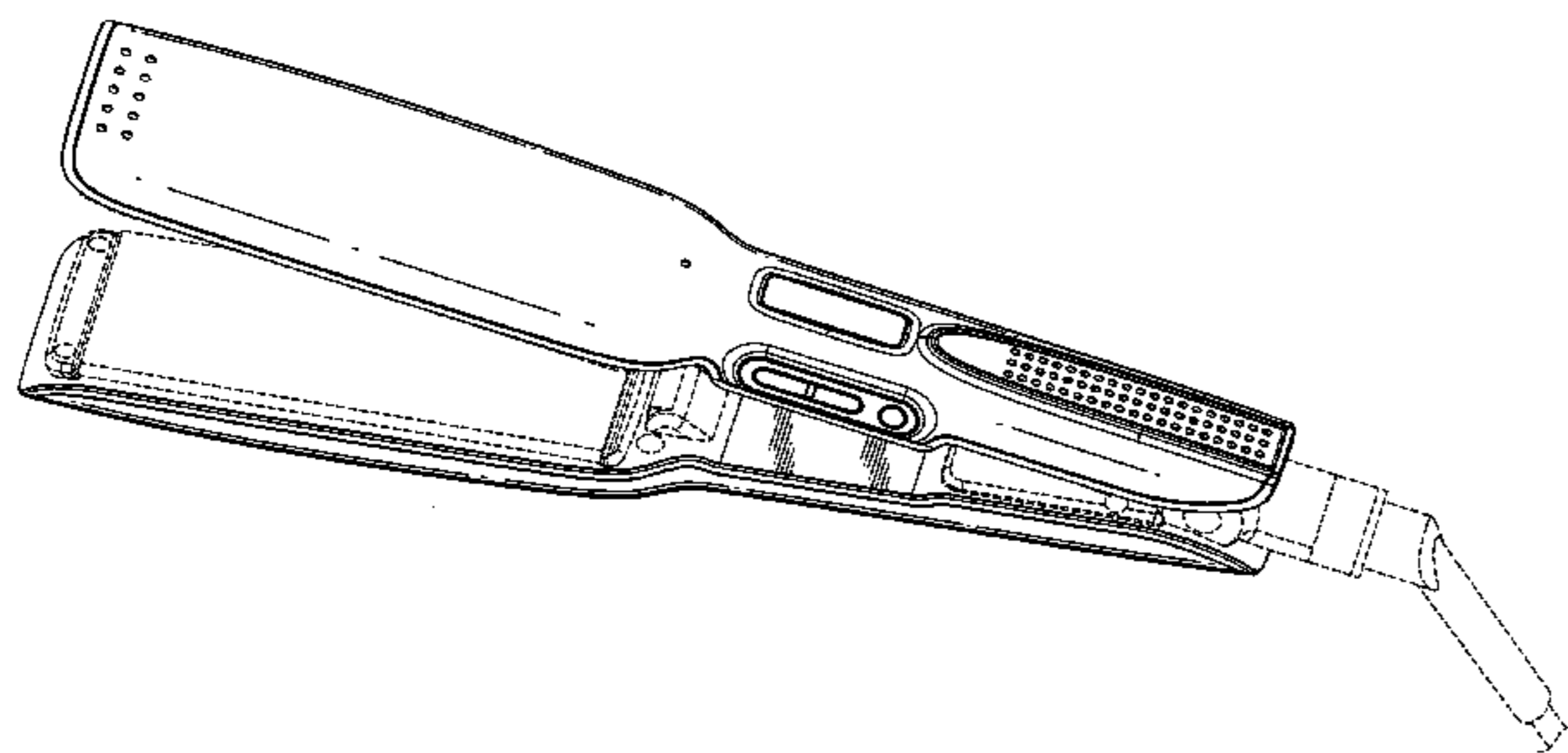
FIG. 5 is a front view thereof;

FIG. 6 is a rear view thereof; and,

FIG. 7 is a bottom view thereof.

The broken lines are shown for illustrative purposes only and form no part of the claimed design.

1 Claim, 6 Drawing Sheets



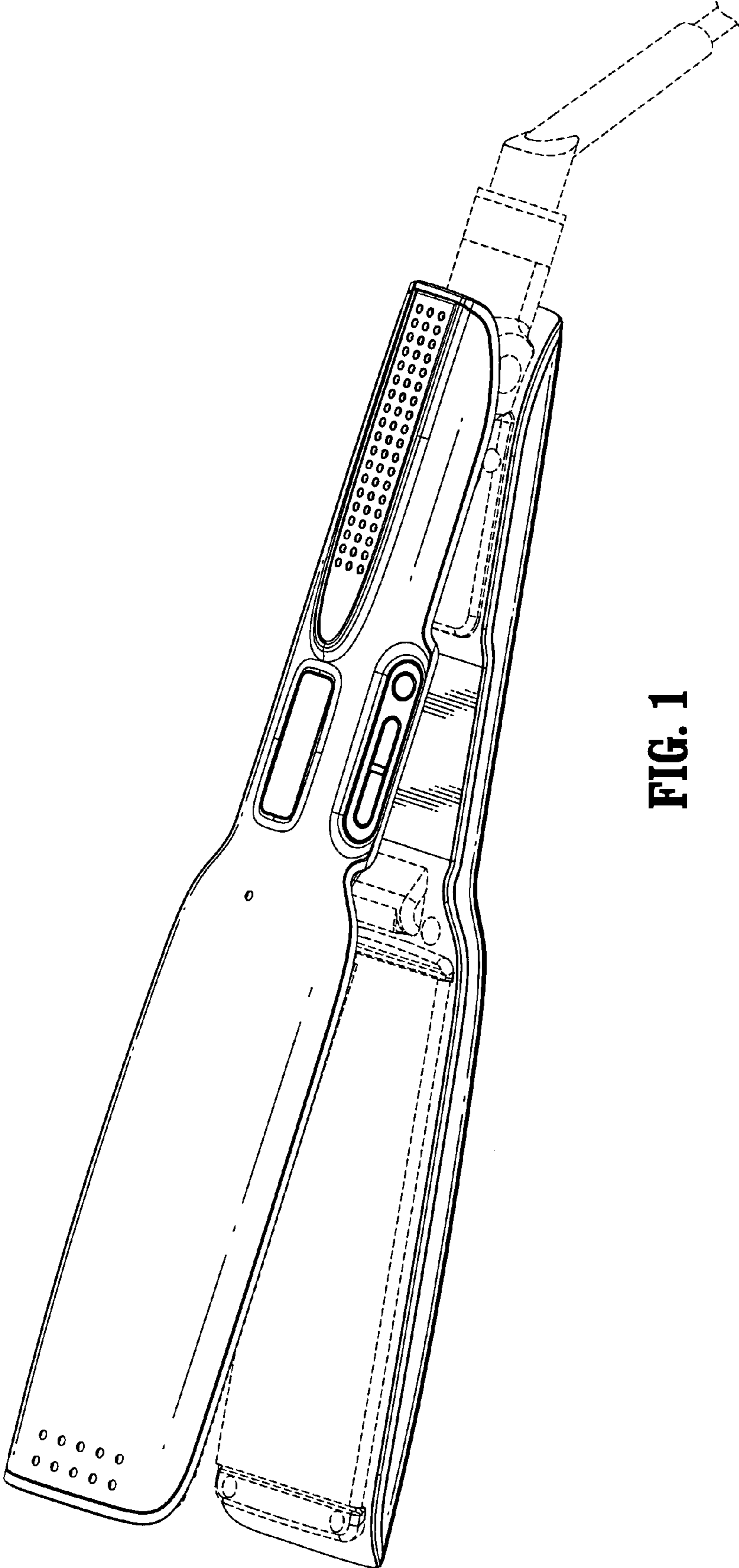


FIG. 1

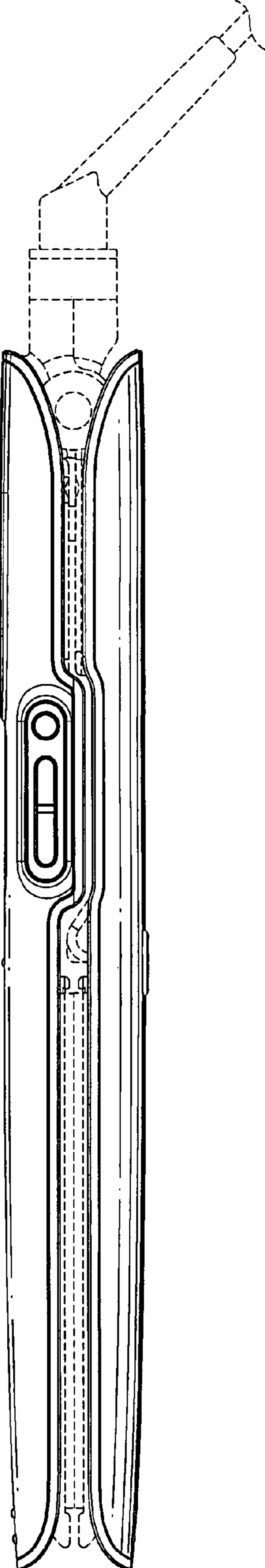


FIG. 2

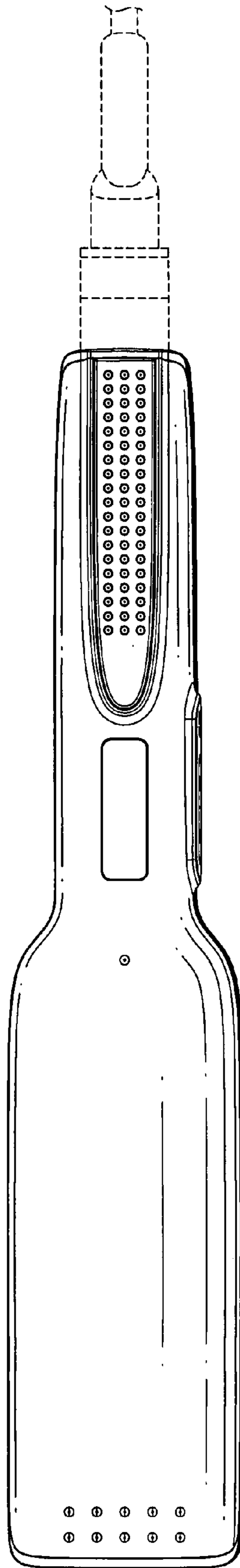


FIG. 3

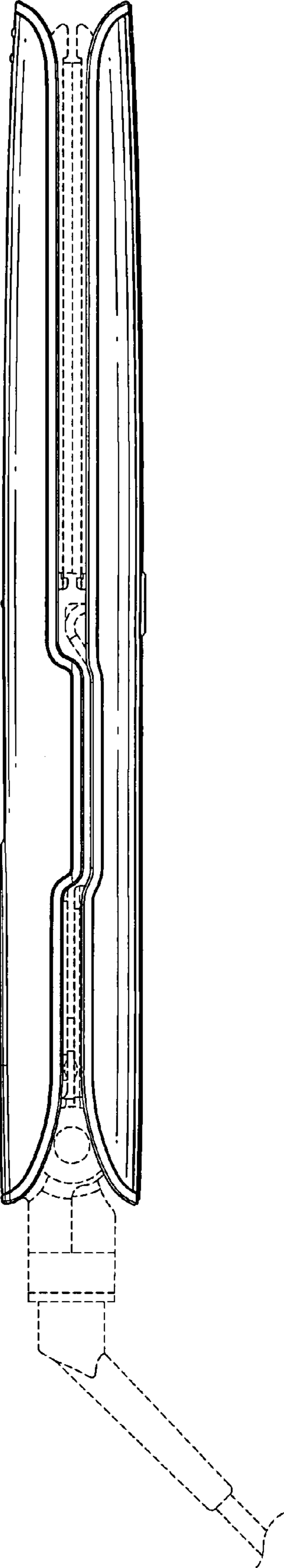


FIG. 4

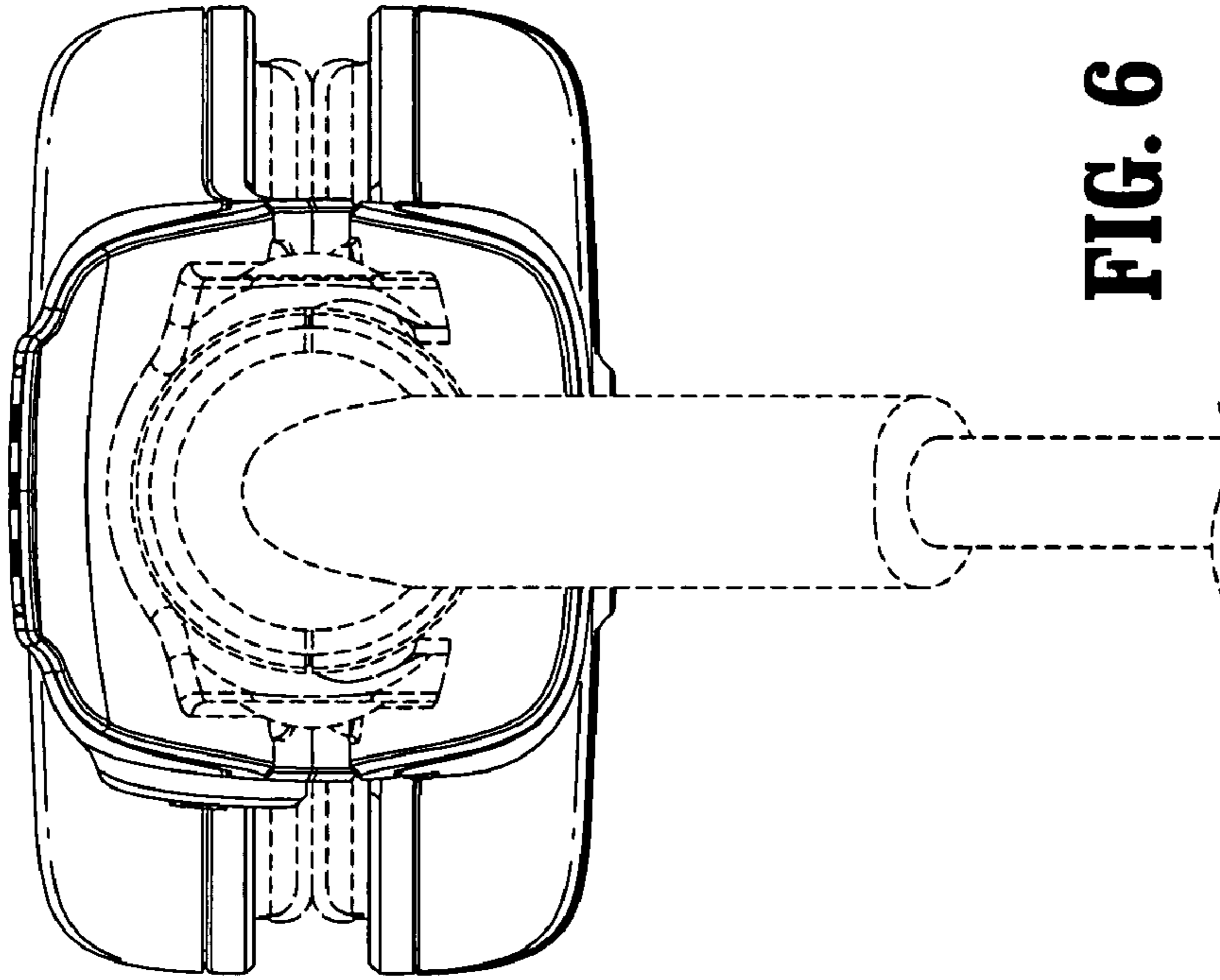


FIG. 6

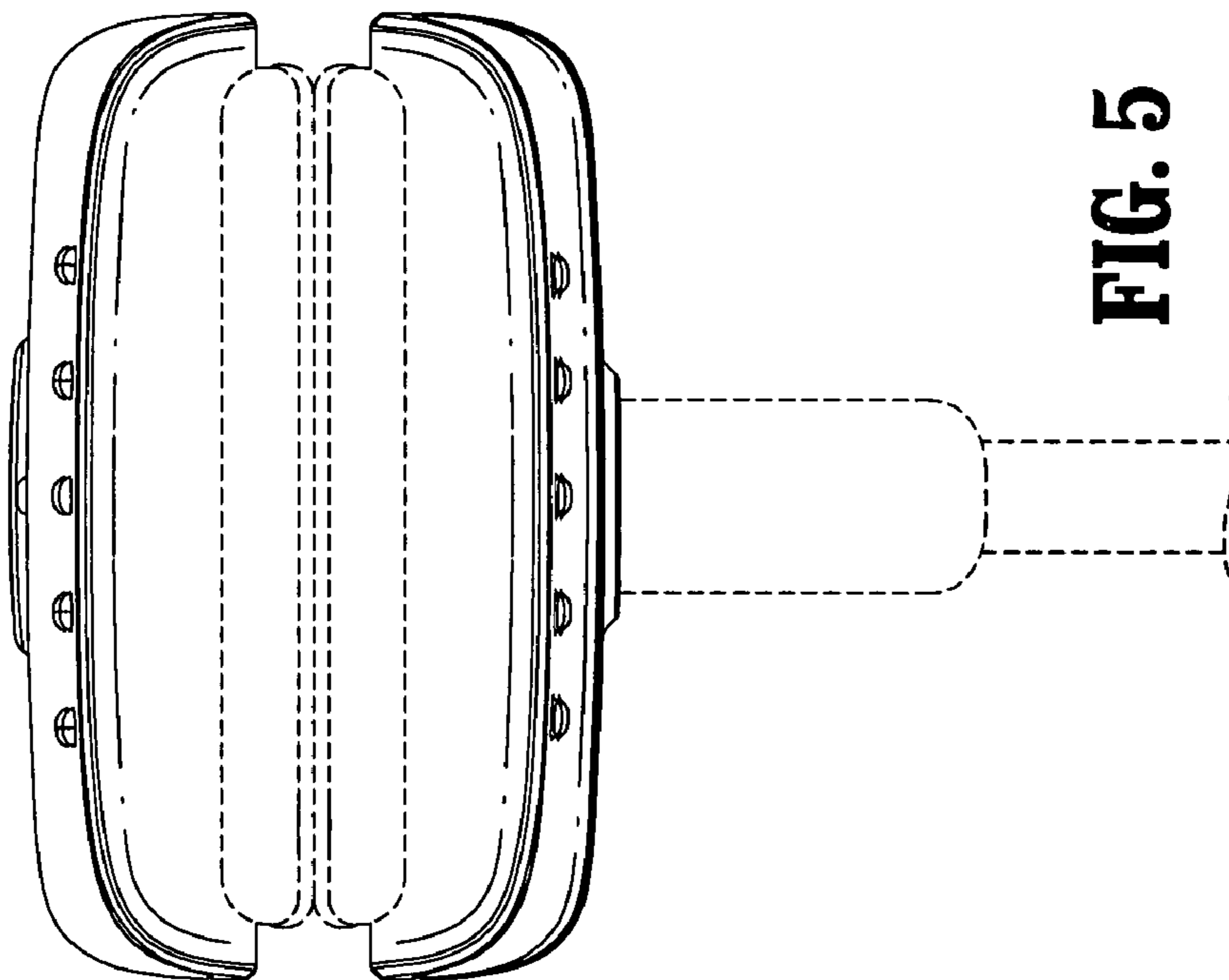


FIG. 5

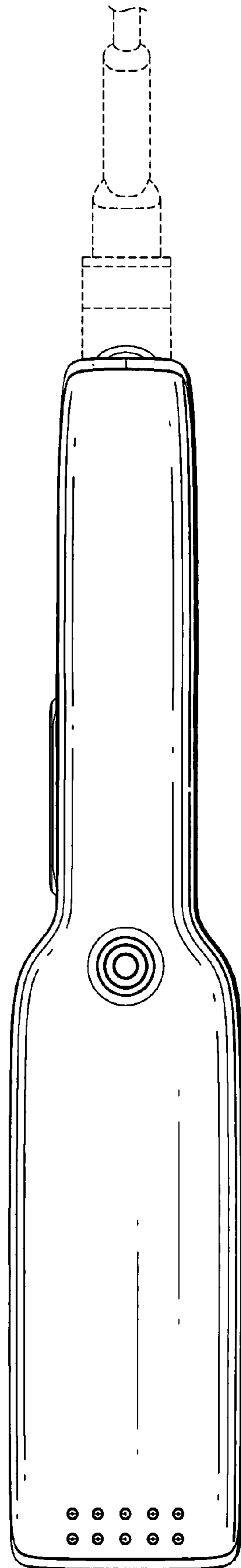


FIG. 7