



US00D570042S

(12) **United States Design Patent**
Leung

(10) **Patent No.:** **US D570,042 S**

(45) **Date of Patent:** **** May 27, 2008**

(54) **CURLING IRON**

D559,446 S * 1/2008 Leung D28/35

(75) Inventor: **Anthony Kit Lun Leung**, North Point
(CN)

* cited by examiner

Primary Examiner—Jennifer Rivard

(73) Assignee: **Conair Corporation**, Stamford, CT
(US)

(74) *Attorney, Agent, or Firm*—Lawrence Cruz

(**) Term: **14 Years**

(57) **CLAIM**

(21) Appl. No.: **29/288,443**

The ornamental design for a curling iron, as shown and described.

(22) Filed: **Jun. 12, 2007**

DESCRIPTION

(51) **LOC (8) Cl.** **28-03**

FIG. 1 is a perspective view of a curling iron showing a new design;

(52) **U.S. Cl.** **D28/35**

FIG. 2 is a top view thereof;

(58) **Field of Classification Search** D28/35;
132/222–225, 227–229, 236, 245; 219/222,
219/225, 226

FIG. 3 is a right side view thereof, the left side view being a mirror image;

See application file for complete search history.

FIG. 4 is a front view thereof;

FIG. 5 is a rear view thereof; and,

(56) **References Cited**

U.S. PATENT DOCUMENTS

4,731,519 A * 3/1988 Dieterle et al. 219/225

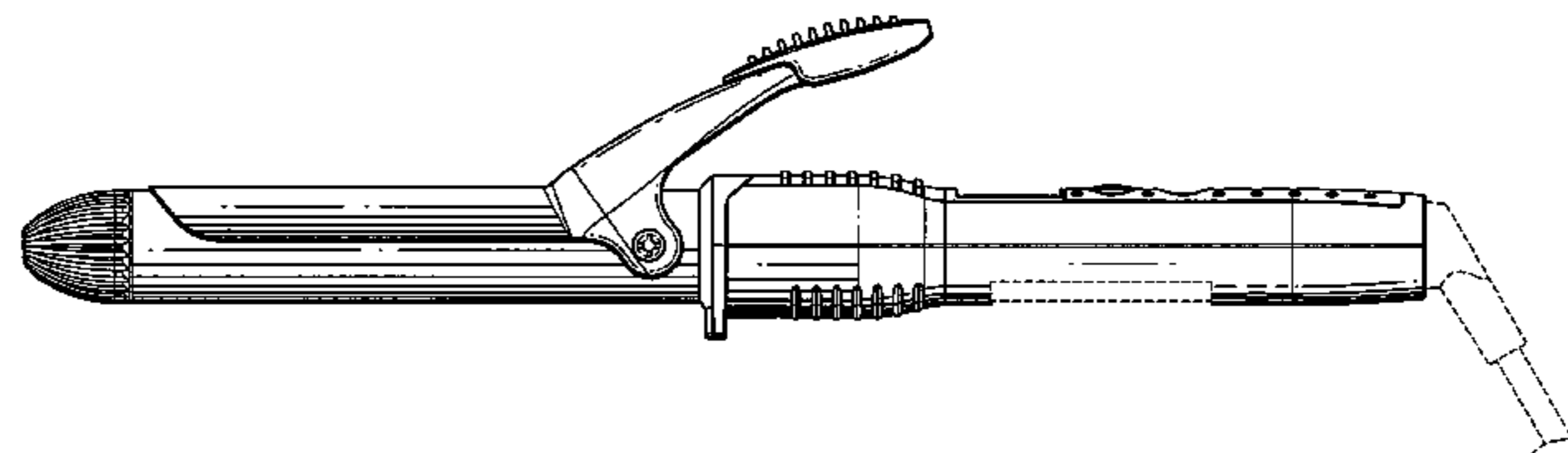
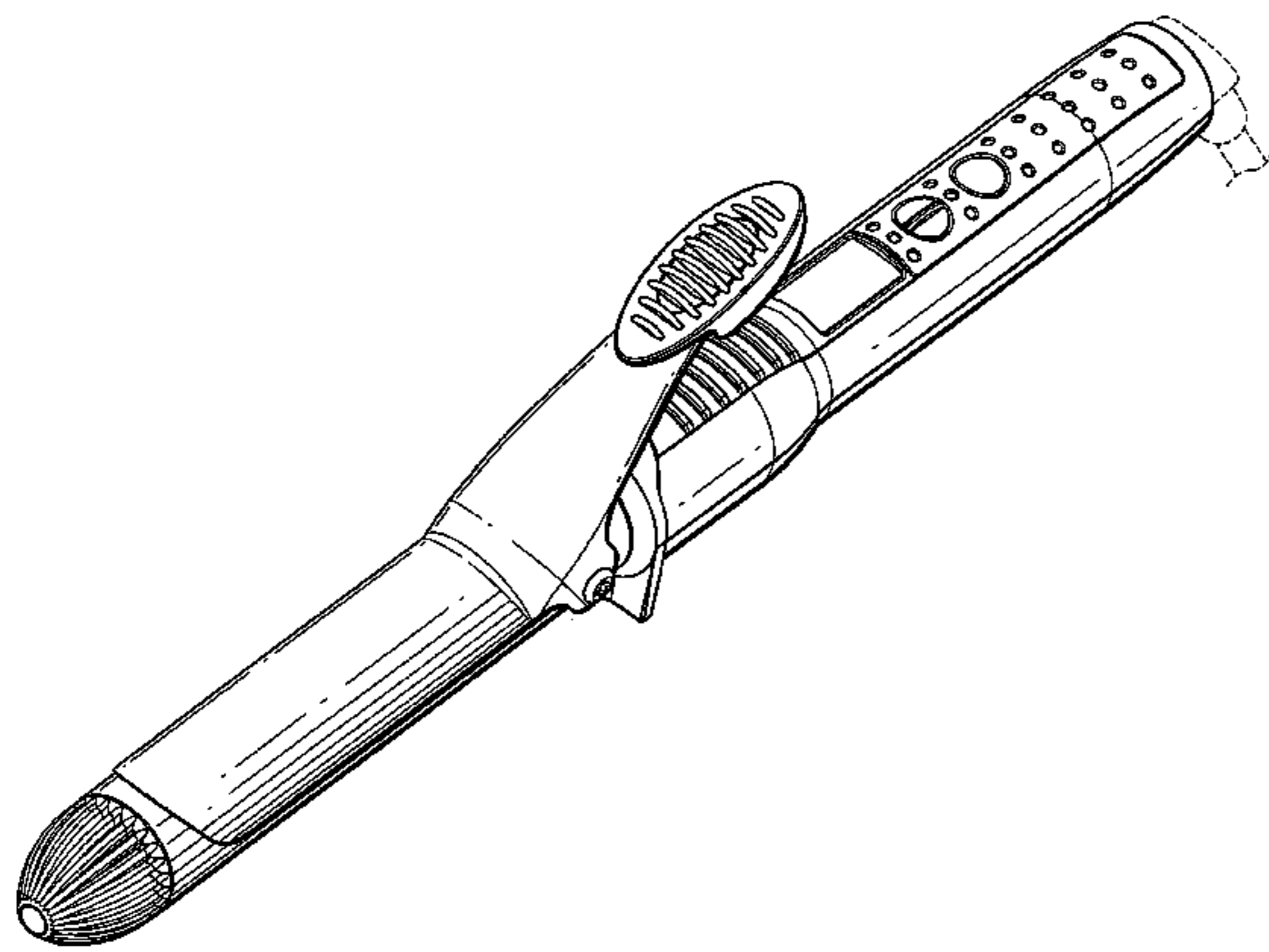
D547,903 S * 7/2007 Rizzuto, Jr. D28/35

D556,949 S * 12/2007 Leung D28/35

FIG. 6 is a bottom view thereof.

The broken lines are shown for illustrative purposes only and form no part of the claimed design.

1 Claim, 5 Drawing Sheets



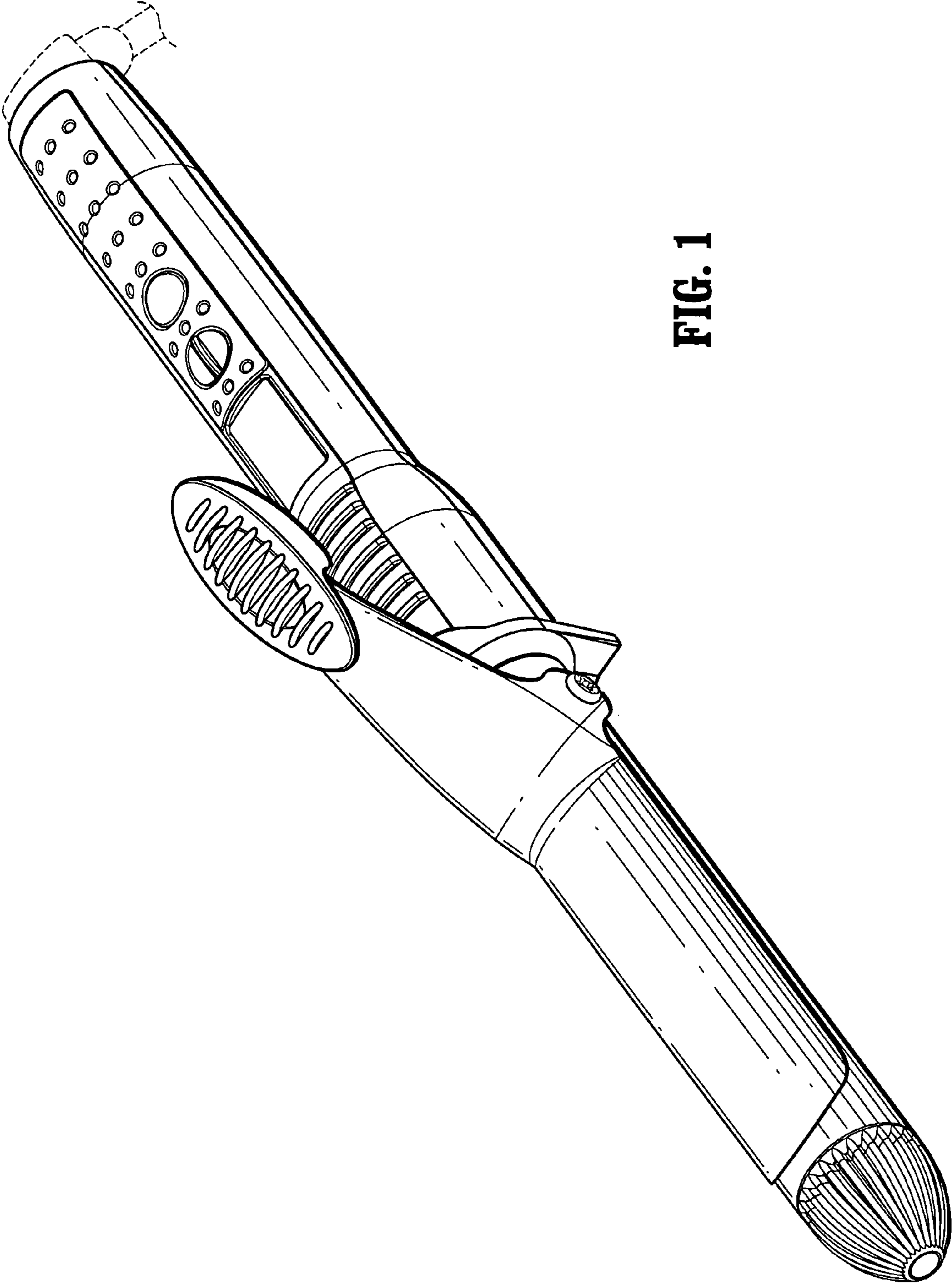


FIG. 1

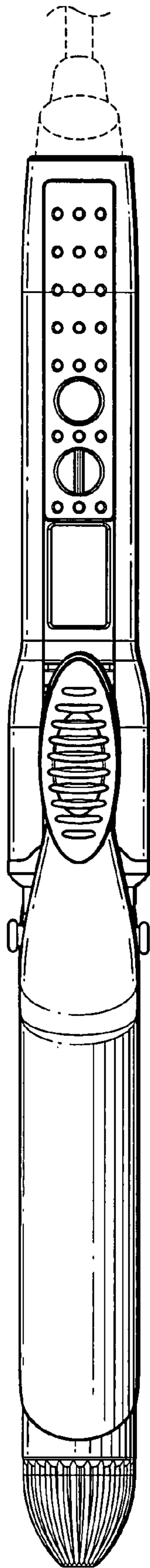


FIG. 2

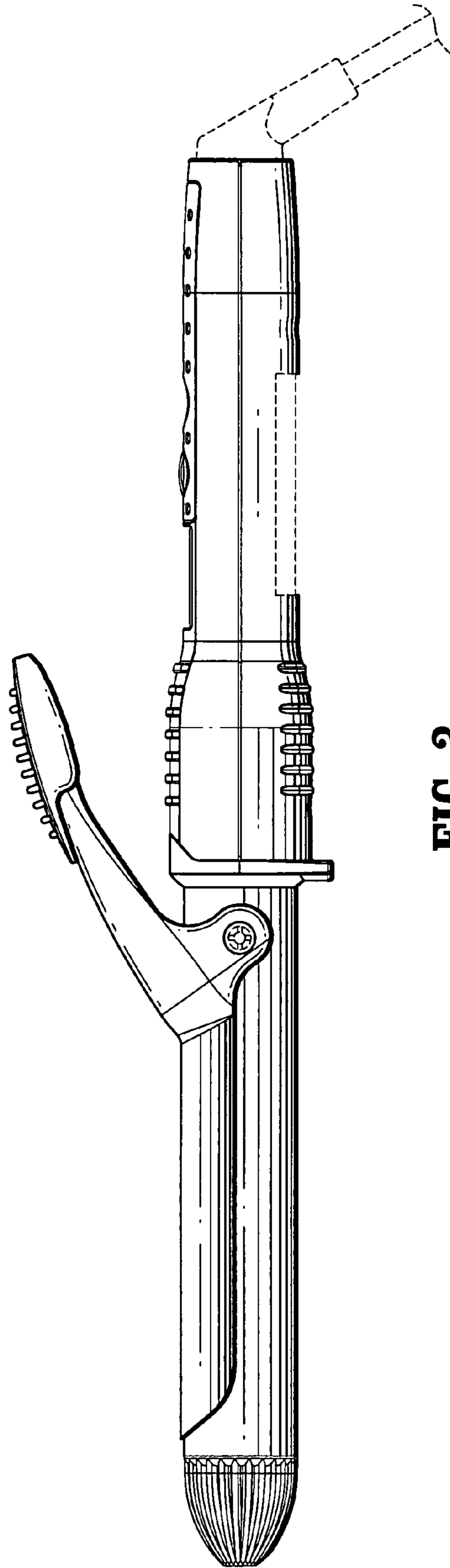


FIG. 3

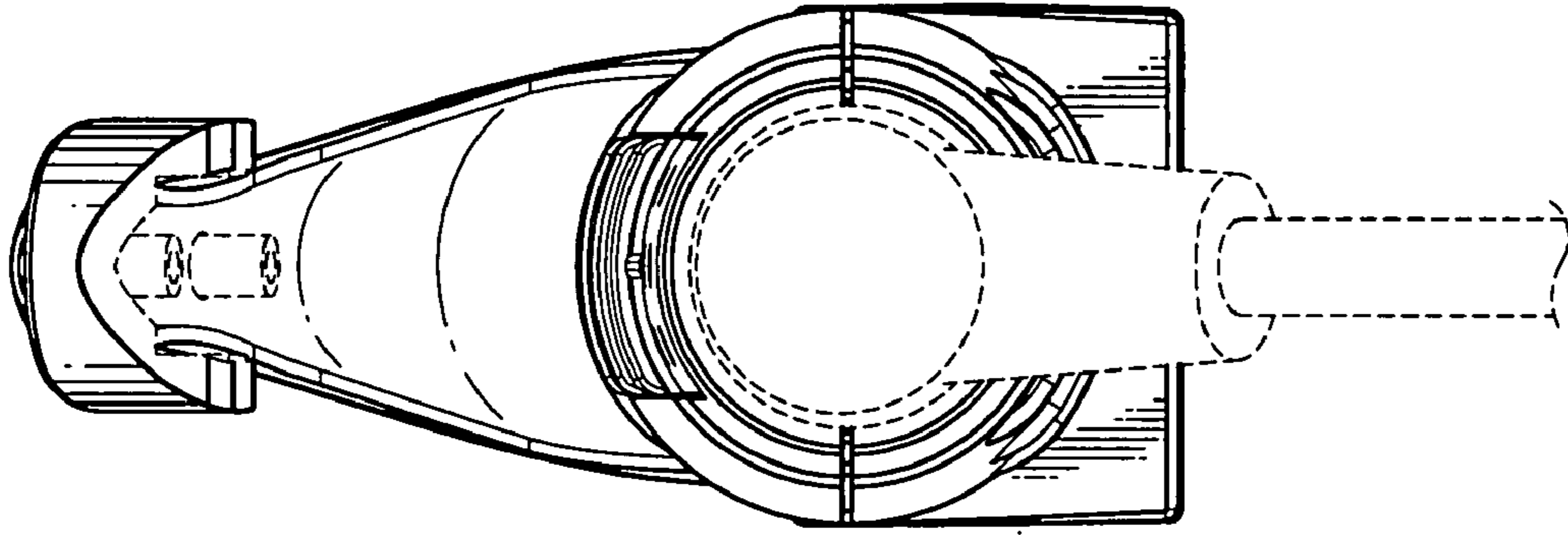


FIG. 5

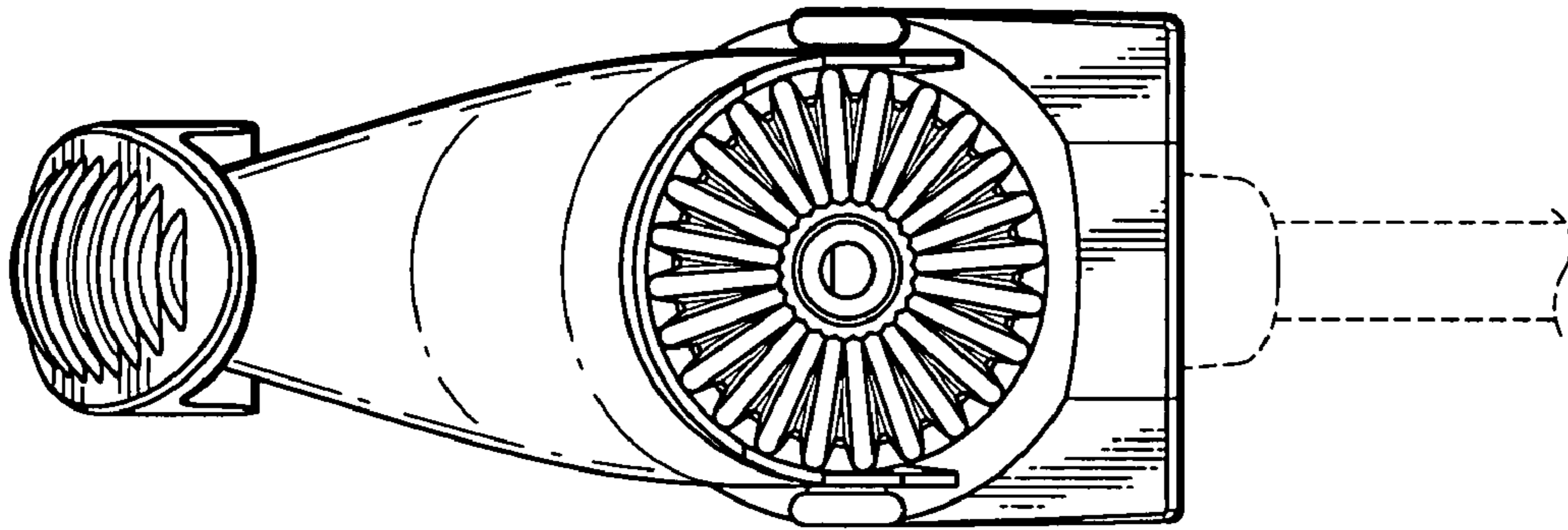


FIG. 4

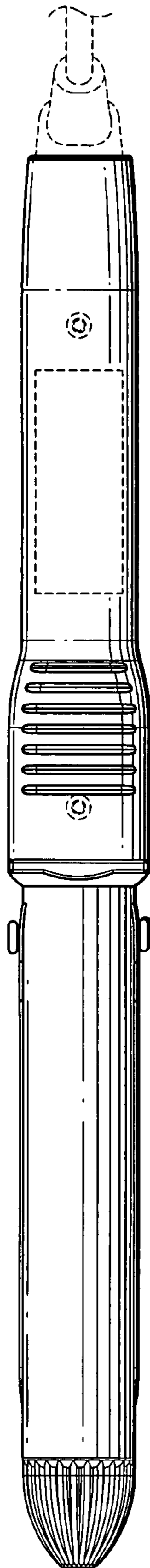


FIG. 6