



US00D570037S

(12) **United States Design Patent**
Hartman

(10) **Patent No.:** **US D570,037 S**

(45) **Date of Patent:** **** May 27, 2008**

(54) **ASYMMETRIC LIGHT FIXTURE**

4,625,266 A 11/1986 Winter 362/146

(76) Inventor: **Michael S. Hartman**, 201 Sweitzer Rd., Sinking Spring, PA (US) 19608

(Continued)

FOREIGN PATENT DOCUMENTS

(**) Term: **14 Years**

JP 2004055304 2/2004

(21) Appl. No.: **29/298,030**

Primary Examiner—Freda S. Nunn
Assistant Examiner—Kevin K Rudzinski
(74) *Attorney, Agent, or Firm*—Synnestvedt & Lechner LLP

(22) Filed: **Nov. 27, 2007**

Related U.S. Application Data

(62) Division of application No. 29/265,708, filed on Sep. 6, 2006.

(51) **LOC (8) Cl.** **26-99**

(52) **U.S. Cl.** **D26/138**

(58) **Field of Classification Search** D26/123, D26/128, 142, 118, 65, 125, 147, 74, 138, D26/24, 113, 61, 63, 133, 119, 72, 130, 120, D26/67, 85, 32, 60, 73, 93, 94, 98, 103, 122, D26/124, 129, 137, 151, 152, 153, 156; D21/484, D21/490; D13/110; 206/223; 362/351, 362/330, 363

See application file for complete search history.

(56) **References Cited**

U.S. PATENT DOCUMENTS

D114,101 S	4/1939	Gregg	D26/86
D158,803 S *	5/1950	Russell	D26/76
D158,917 S	6/1950	Wince	D26/85
2,564,865 A	8/1951	Turner et al.	362/151
2,662,163 A *	12/1953	Mollner	362/151
D191,762 S *	11/1961	Rothman	D26/76
D195,876 S	8/1963	Atkin et al.	D26/63
D203,060 S *	11/1965	Schaefer	D26/76
4,028,543 A	6/1977	Oster	362/401
4,105,181 A *	8/1978	Breitbard	248/452
4,533,983 A	8/1985	Hafstad	362/223

(57) **CLAIM**

I claim the ornamental design for an asymmetric light fixture, as shown and described.

DESCRIPTION

FIG. 1 is a perspective view of a first embodiment of my design for an asymmetric light fixture;

FIG. 2 is a front view of the asymmetric light fixture embodiment shown in FIG. 1;

FIG. 3 is a right side view of the asymmetric light fixture embodiment shown in FIG. 1;

FIG. 4 is a left side view of the asymmetric light fixture embodiment shown in FIG. 1;

FIG. 5 is a top plan view of the asymmetric light fixture embodiment shown in FIG. 1;

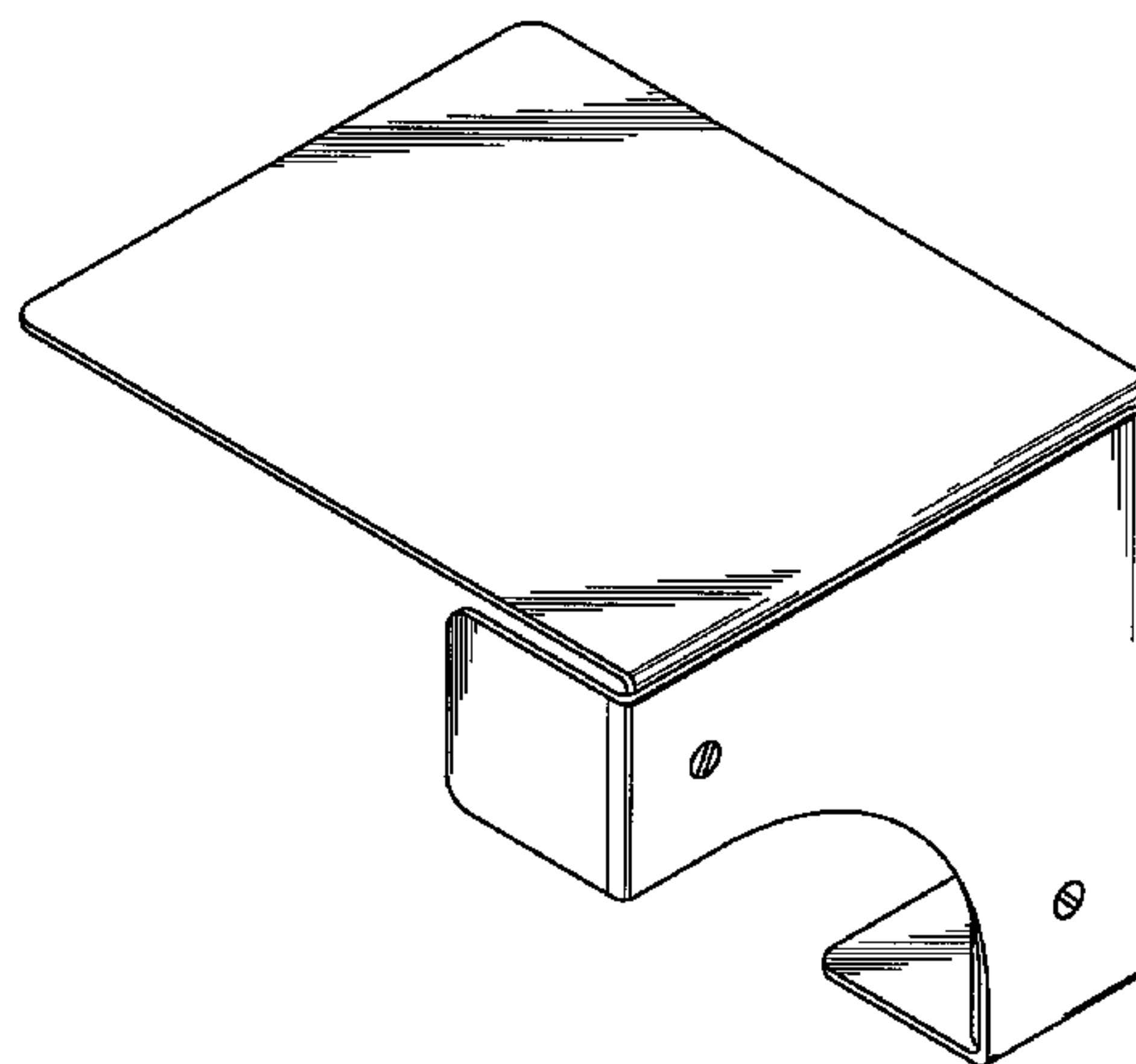
FIG. 6 is a bottom view of the asymmetric light fixture embodiment shown in FIG. 1;

FIG. 7 is a rear view of the asymmetric light fixture embodiment shown in FIG. 1; and,

FIG. 8 is a perspective view of a second embodiment of my design for an asymmetric light fixture that is a mirror image of the embodiment shown in FIG. 1, the other views of the second embodiment being respective mirror images of the views shown in FIGS. 2-7.

The broken lines in FIGS. 6 and 7 are for illustrative purposes only and form no part of the claimed designs.

1 Claim, 3 Drawing Sheets



US D570,037 S

Page 2

U.S. PATENT DOCUMENTS

D294,975 S	3/1988	Lester	D26/34	D390,992 S	2/1998	Shemitz	D26/63
D294,977 S	3/1988	Platner	D26/86	D400,459 S	11/1998	Menke	D10/104
4,747,025 A	5/1988	Barton	362/147	5,833,351 A	11/1998	Marsh	362/145
D312,039 S *	11/1990	Smith	D8/373	D406,716 S	3/1999	Growden	D6/579
D313,669 S	1/1991	Sonneman	D26/109	D422,107 S	3/2000	Meier	D26/87
5,001,611 A	3/1991	Beachy et al.	362/145	D423,774 S	5/2000	Peterson	D3/229
D318,536 S	7/1991	Jones et al.	D26/138	D443,785 S	6/2001	Barron et al.	D6/579
D318,592 S	7/1991	Byrne	D6/579	D457,418 S	5/2002	Ferrer Beltrán	D8/363
D357,762 S	4/1995	Douglas	D26/85	D474,958 S *	5/2003	Perdue	D8/349
5,438,804 A	8/1995	Reum et al.	52/102	6,708,643 B2	3/2004	Traiforos	116/63 R
D364,300 S	11/1995	Ohanesian	D6/579	D490,295 S *	5/2004	Neider et al.	D8/356
D365,955 S	1/1996	Fimbres	D26/579	D491,686 S	6/2004	Citterio	D26/72
D369,957 S	5/1996	Blanton	D8/373	6,796,684 B1	9/2004	Beadle	362/287
D374,739 S *	10/1996	Blanton	D26/138	6,848,806 B2	2/2005	Yoshida et al.	362/147
D379,548 S *	5/1997	Johnson	D26/128	D511,086 S *	11/2005	Craine	D8/354
D379,549 S	5/1997	Vargas, Jr.	D26/128	D512,792 S	12/2005	Benensohn	D26/76
D379,729 S	6/1997	Ohanesian	D6/579	6,976,765 B2	12/2005	Helenowski	362/147
D380,853 S	7/1997	Johnson	D26/128	D514,924 S *	2/2006	Bergnach	8/354
D382,245 S	8/1997	Bedrosian et al.	D12/223	6,997,581 B1	2/2006	Shelton et al.	362/359
D383,243 S	9/1997	Fry et al.	D26/118	7,290,904 B2	11/2007	Miller	362/432
D387,970 S *	12/1997	Enslin	D8/349	7,322,714 B2	1/2008	Barnett et al.	362/152
D389,268 S	1/1998	Kay	D26/118	2005/0117331 A1	6/2005	Haas	362/147

* cited by examiner

FIG.1

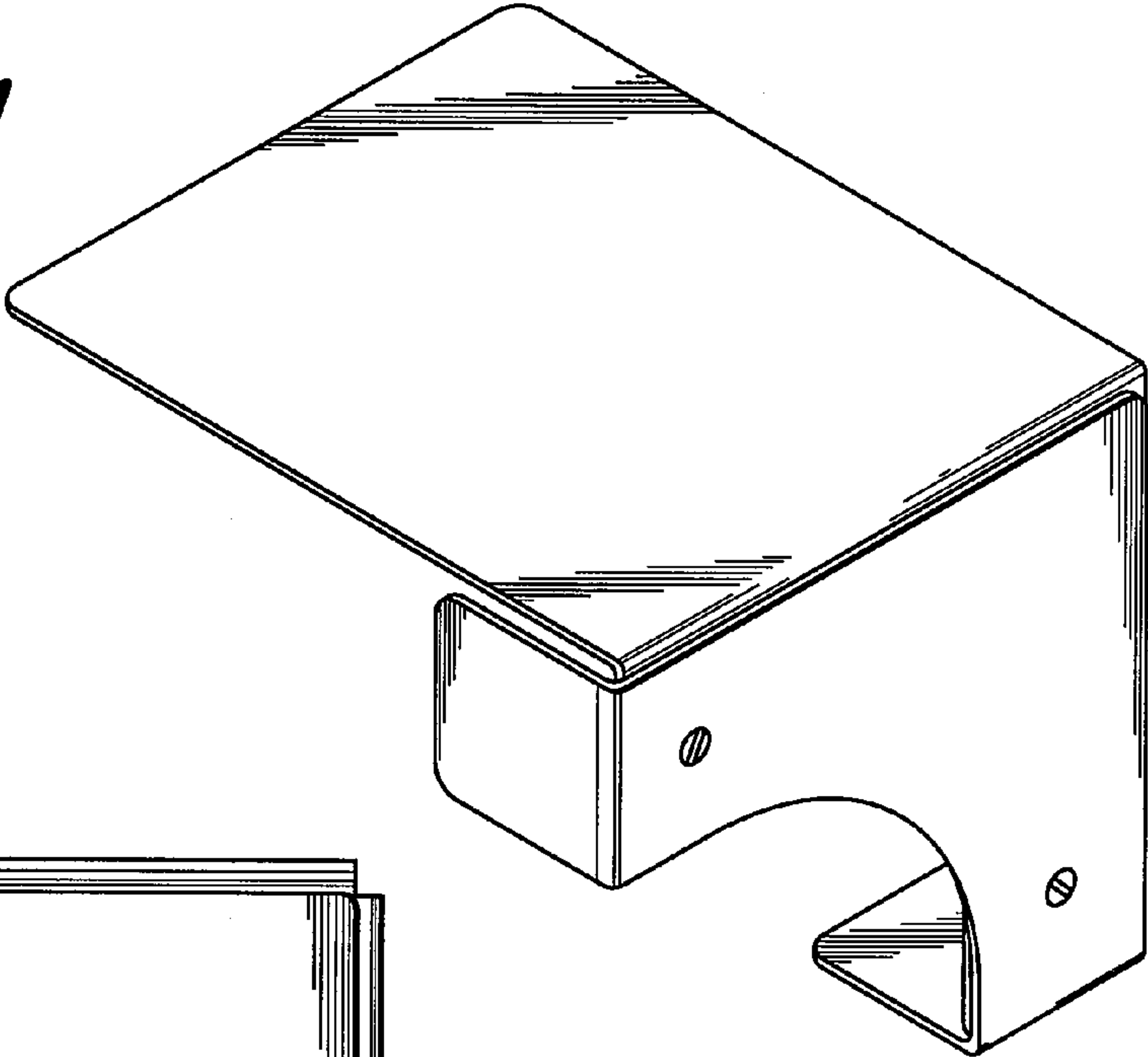


FIG.2

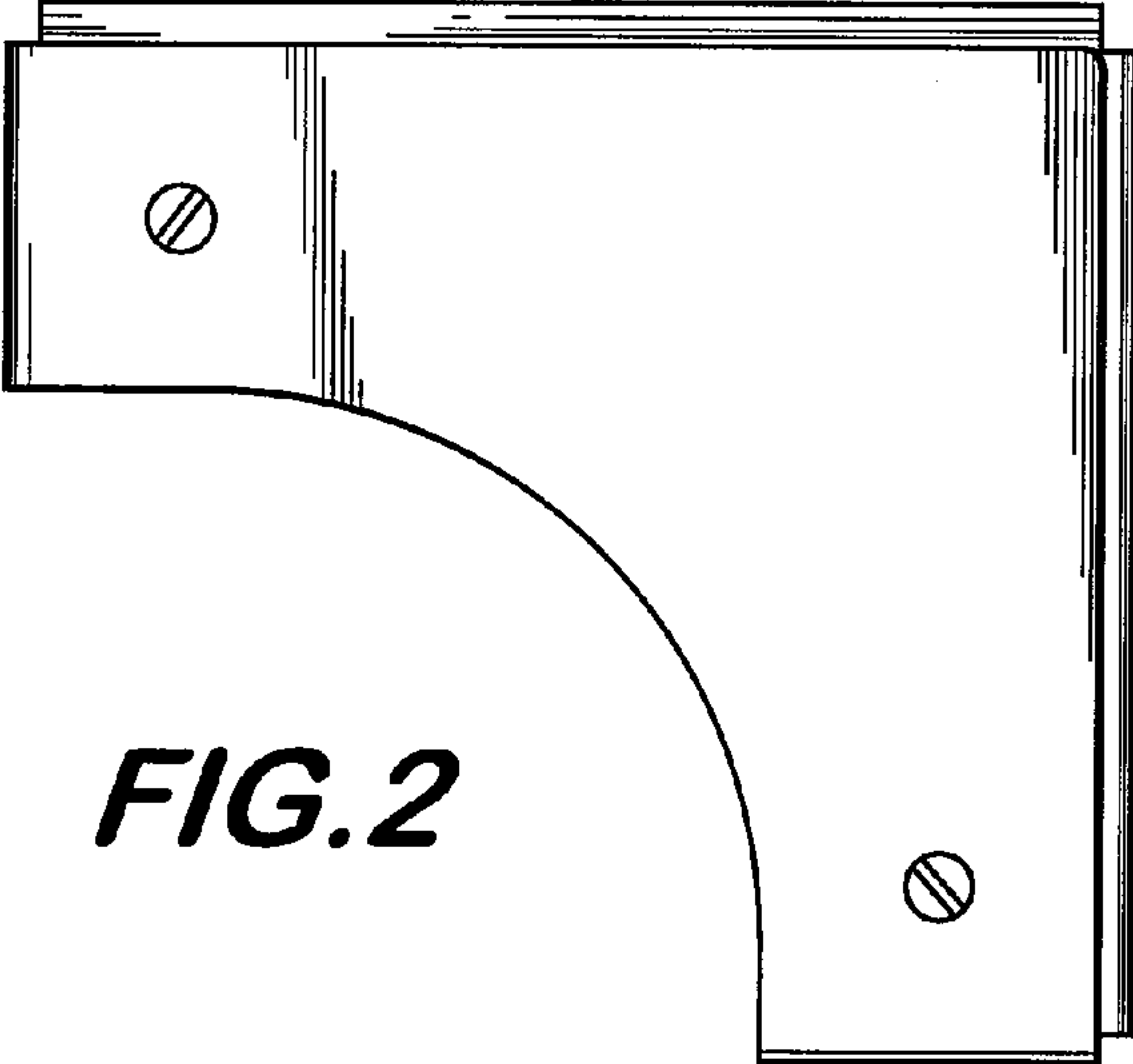
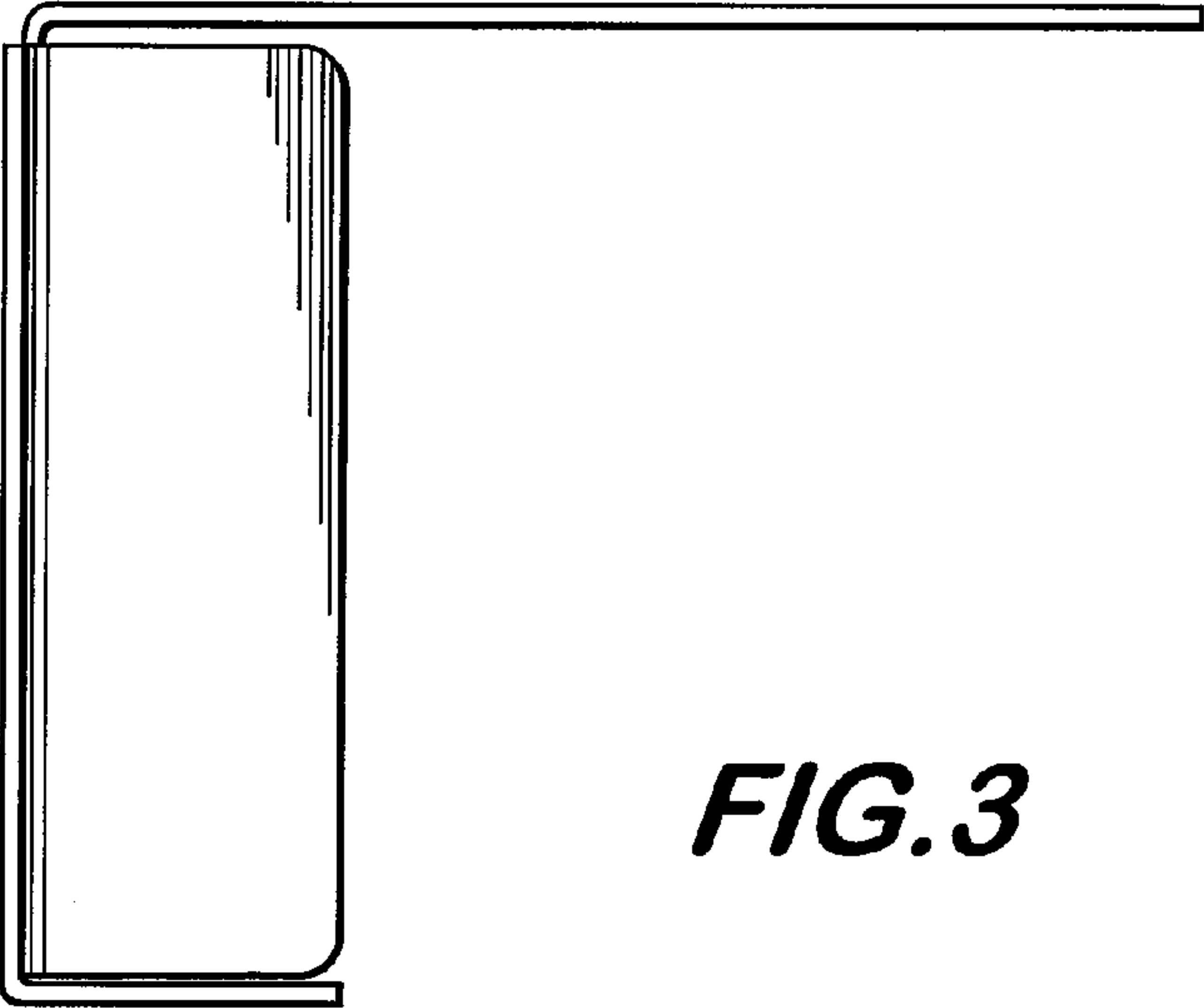


FIG.3



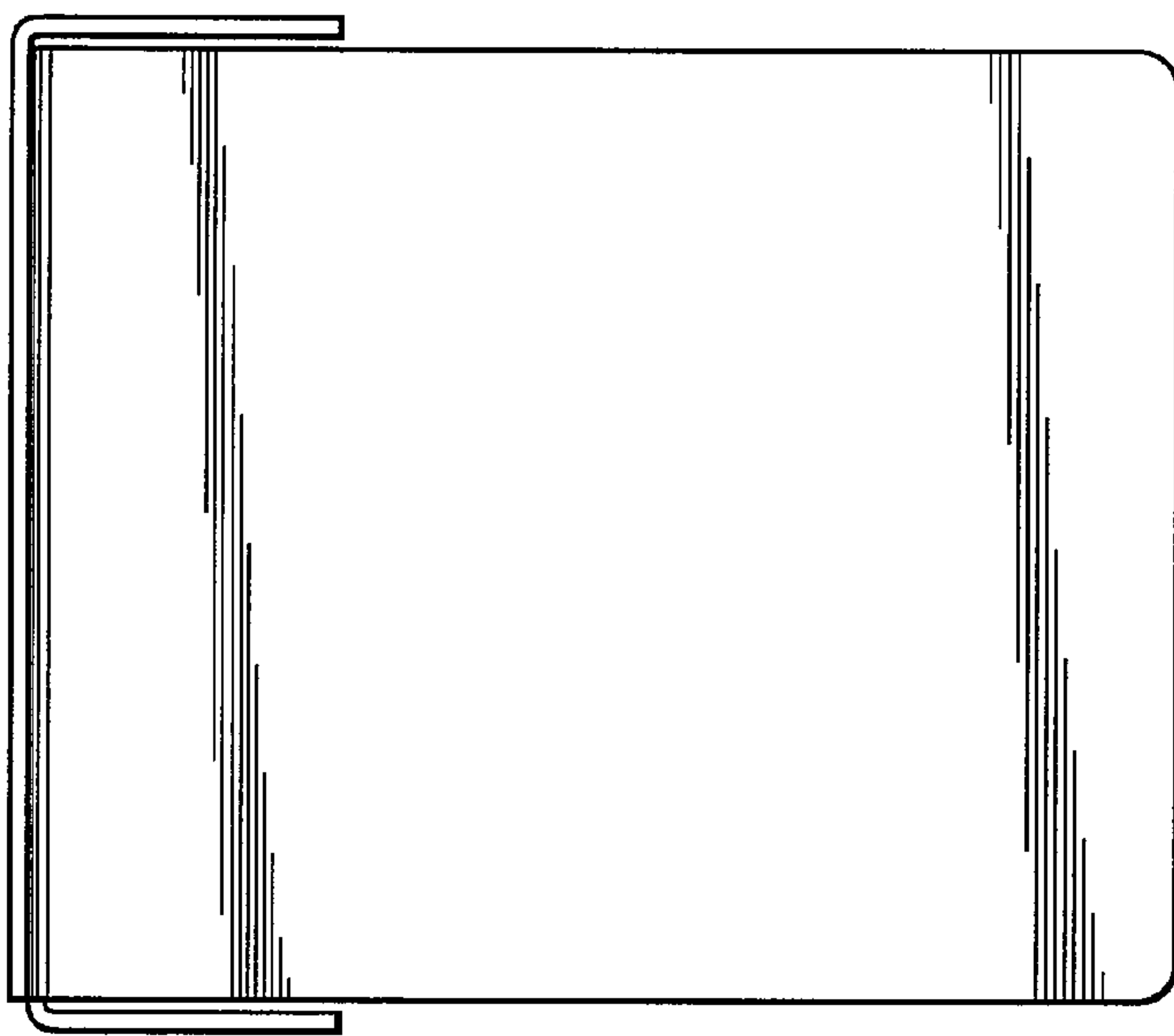
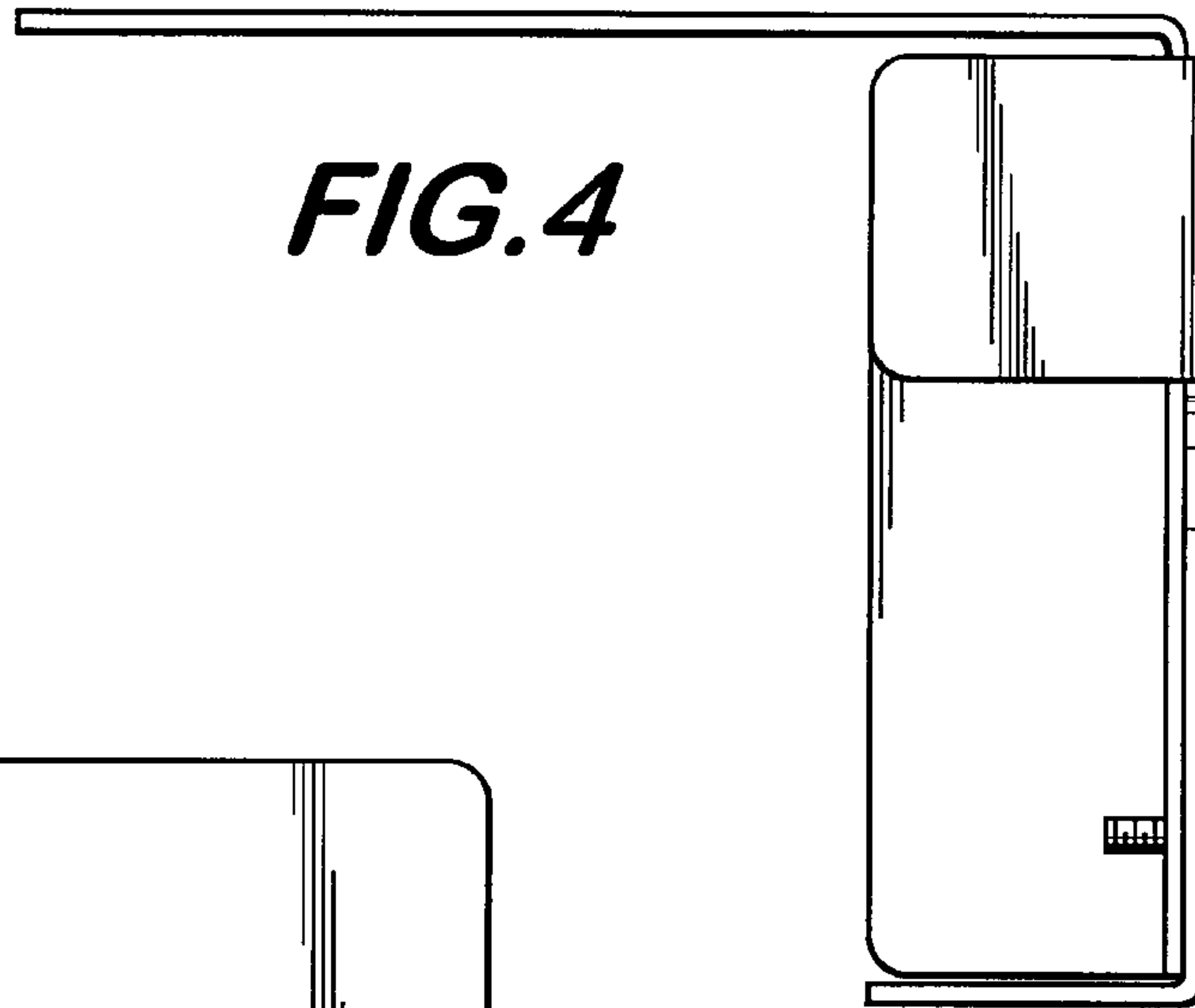
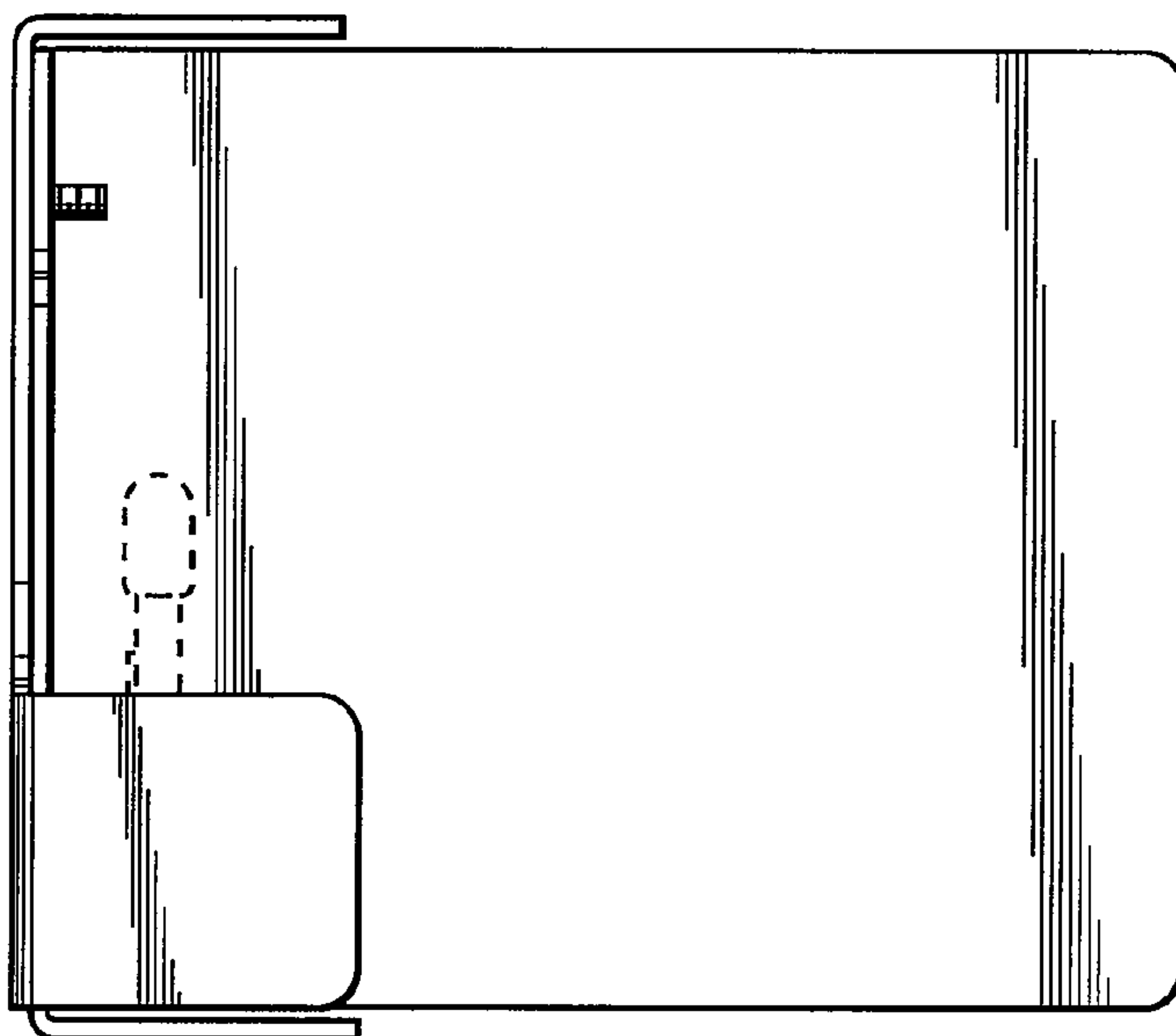


FIG. 6



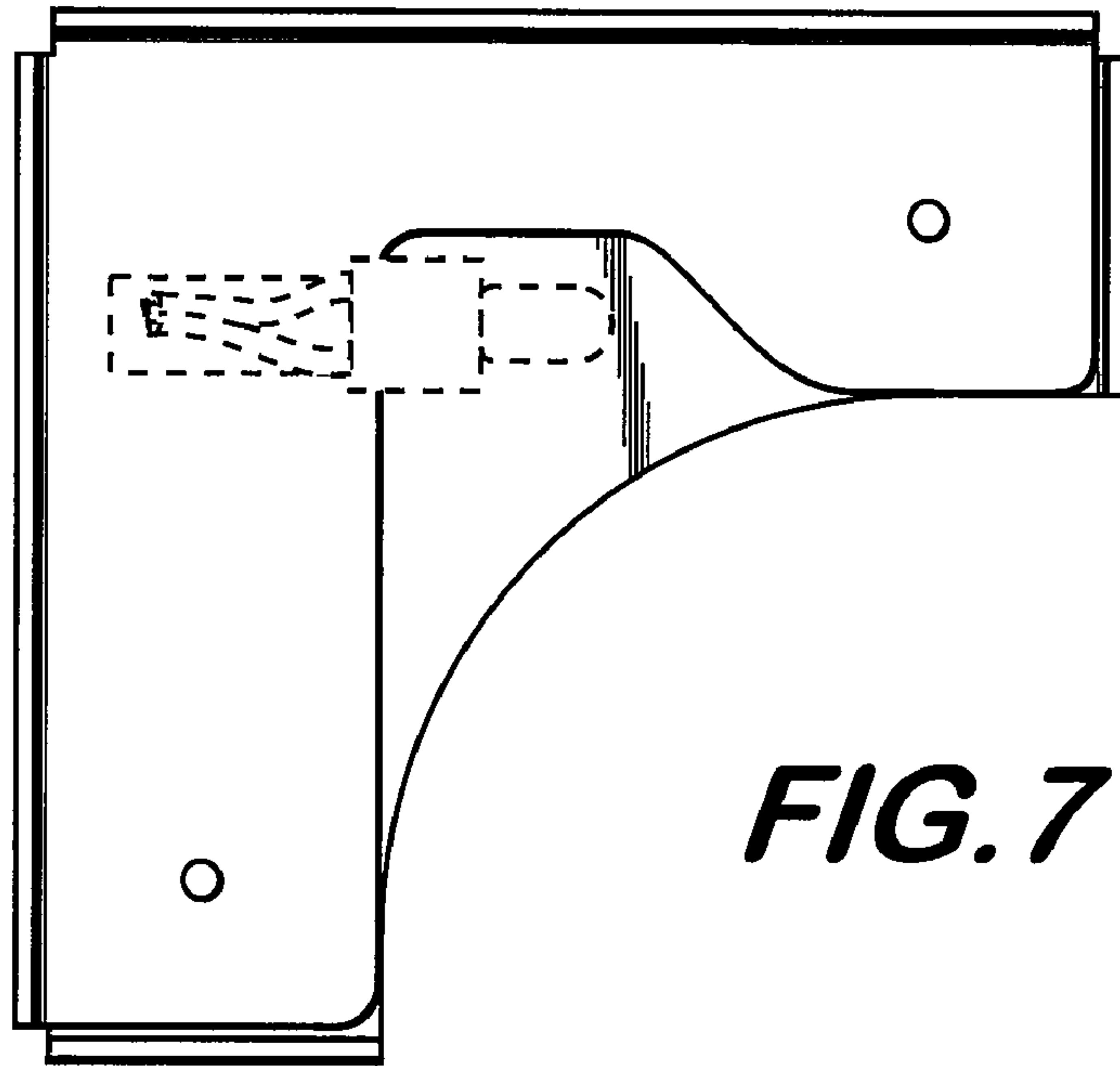


FIG. 7

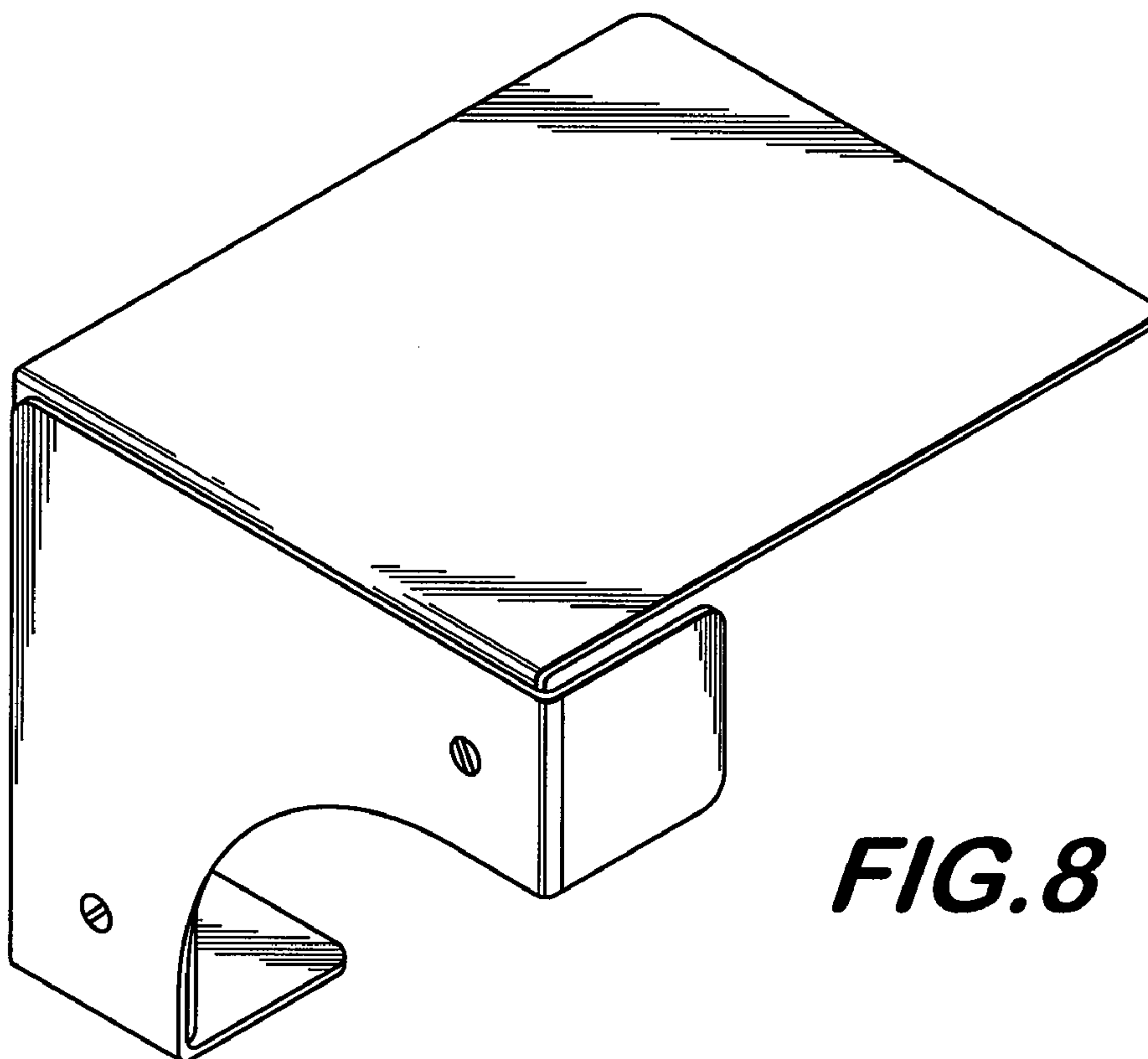


FIG. 8