

US00D570035S

(12) **United States Design Patent**
Franklin

(10) **Patent No.:** **US D570,035 S**

(45) **Date of Patent:** **** May 27, 2008**

- (54) **SEAMLESS LIGHT FIXTURE**
- (75) Inventor: **Thomas J. Franklin**, Niles, IL (US)
- (73) Assignee: **Thomas Franklin**, Niles, IL (US)
- (**) Term: **14 Years**
- (21) Appl. No.: **29/269,586**
- (22) Filed: **Dec. 4, 2006**
- (51) **LOC (8) Cl.** **26-99**
- (52) **U.S. Cl.** **D26/137**
- (58) **Field of Classification Search** D26/152,
D26/85, 118, 138, 154, 67, 60, 64, 137, 120,
D26/22, 26, 62, 72, 73, 79, 88, 93, 113, 119,
D26/123, 124, 128, 135, 153, 142, 149, 65,
D26/63, 2; 362/94, 145, 147, 151, 171, 178,
362/182, 647, 649, 650, 651, 351, 356, 359,
362/363, 403, 404, 405, 407, 410
See application file for complete search history.

3,582,643	A *	6/1971	Heise	362/356
3,764,801	A *	10/1973	Mainieks	362/352
D244,875	S *	6/1977	Baca	D26/105
5,791,774	A *	8/1998	Briles	362/392
5,845,037	A *	12/1998	Miekis	385/136
D438,327	S *	2/2001	Chelf et al.	D26/80
D525,739	S *	7/2006	Wu	D26/93
2005/0146882	A1 *	7/2005	Liao et al.	362/352

* cited by examiner

Primary Examiner—Freda S. Nunn
Assistant Examiner—Kevin K Rudzinski
(74) *Attorney, Agent, or Firm*—Cherskov & Flaynik

(57) **CLAIM**

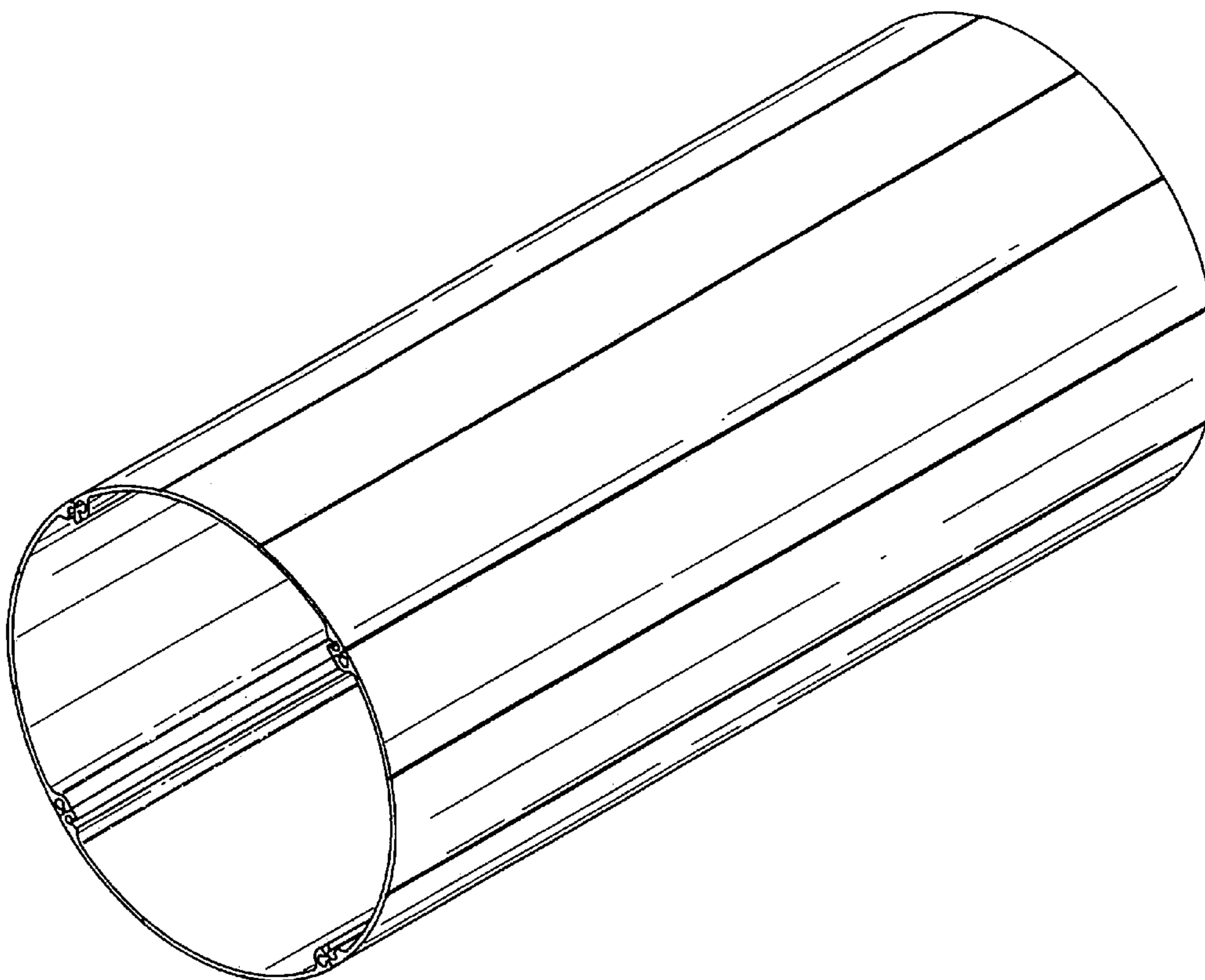
The ornamental design for a seamless light fixture, as shown and described.

DESCRIPTION

FIG. 1 is a perspective view of applicant's design;
FIG. 2 is a side elevational view, the opposite side being a mirror image thereof;
FIG. 3 is a top view thereof;
FIG. 4 is a bottom view thereof; and,
FIG. 5 is an enlarged detailed sectional view thereof.

1 Claim, 3 Drawing Sheets

- (56) **References Cited**
- U.S. PATENT DOCUMENTS
- 2,637,805 A * 5/1953 Jacobs 362/358
- 2,899,543 A * 8/1959 Rasmussedn 362/354
- 3,109,252 A * 11/1963 Schellenberg 40/554
- 3,142,446 A * 7/1964 Okamoto 362/352



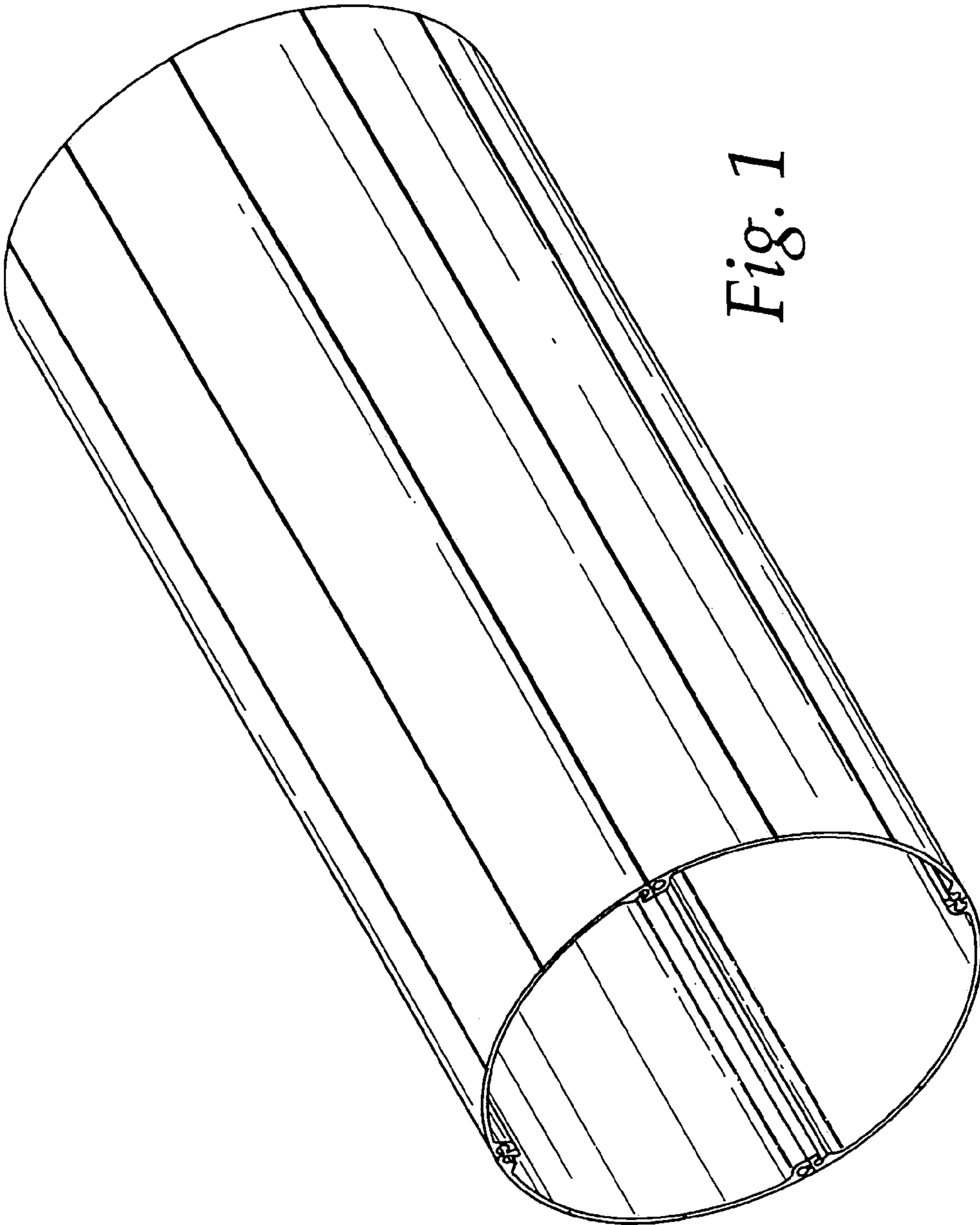


Fig. 1

Fig. 2

