



US00D570031S

(12) **United States Design Patent**  
**Collins et al.**

(10) **Patent No.:** **US D570,031 S**

(45) **Date of Patent:** **\*\* May 27, 2008**

(54) **LIGHT FIXTURE**

5,490,051 A \* 2/1996 Messana ..... 362/401  
5,590,956 A \* 1/1997 Messana et al. .... 362/410  
D482,154 S \* 11/2003 Smith ..... D26/110

(75) Inventors: **Douglas Lawrence Collins**, Crystal Lake, IL (US); **Cheryl Wilkinson**, Warrenville, IL (US); **Donna M. Brown**, Chicago, IL (US); **David C. Otto**, Bartlett, IL (US); **Andrew J. Ivanecky**, Aurora, IL (US); **Christopher T. Boyer**, Oak Park, IL (US)

\* cited by examiner

*Primary Examiner*—Cathron Brooks  
*Assistant Examiner*—Linda Brooks  
(74) *Attorney, Agent, or Firm*—Seyfarth Shaw LLP

(73) Assignee: **Petersen Brands**, Chicago, IL (US)

(57) **CLAIM**

(\*\*) Term: **14 Years**

The ornamental design for a light fixture, as shown and described.

(21) Appl. No.: **29/278,162**

**DESCRIPTION**

(22) Filed: **Mar. 21, 2007**

(51) **LOC (8) Cl.** ..... **26-03**

(52) **U.S. Cl.** ..... **D26/93**

(58) **Field of Classification Search** ..... D26/93-112,  
D26/37, 40, 49; 362/410-415, 806, 269,  
362/431, 401; 248/162.1, 364, 910

See application file for complete search history.

FIG. 1 is a front view of the invention;

FIG. 2 is a back view of the invention;

FIG. 3 is a side view of the invention;

FIG. 4 is a top view of the invention;

FIG. 5 is a bottom view of the invention; and,

FIG. 6 is a perspective view of the invention.

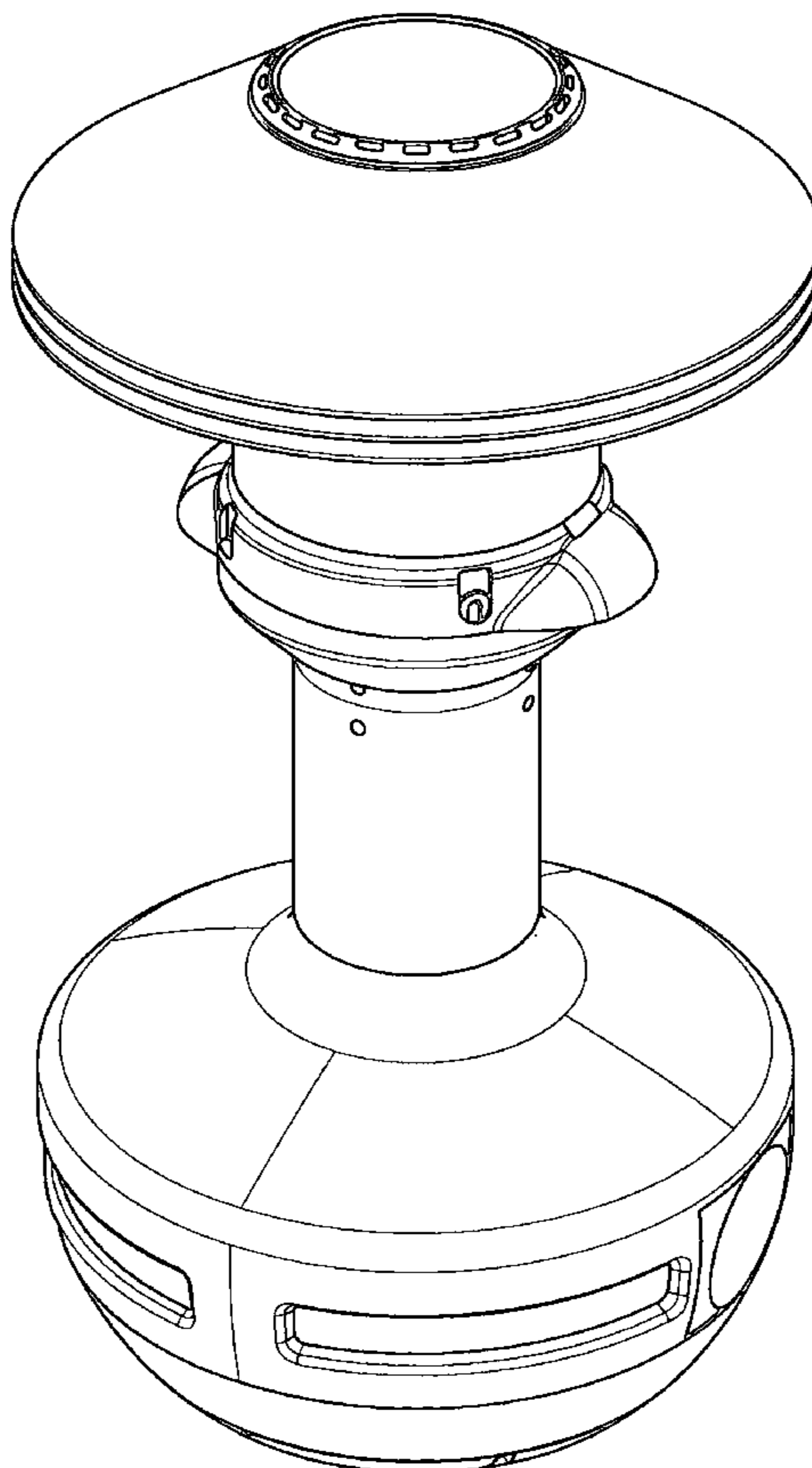
The portions shown in broken lines form no part of the claimed design.

(56) **References Cited**

**U.S. PATENT DOCUMENTS**

5,381,325 A \* 1/1995 Messana ..... 362/410

**1 Claim, 5 Drawing Sheets**



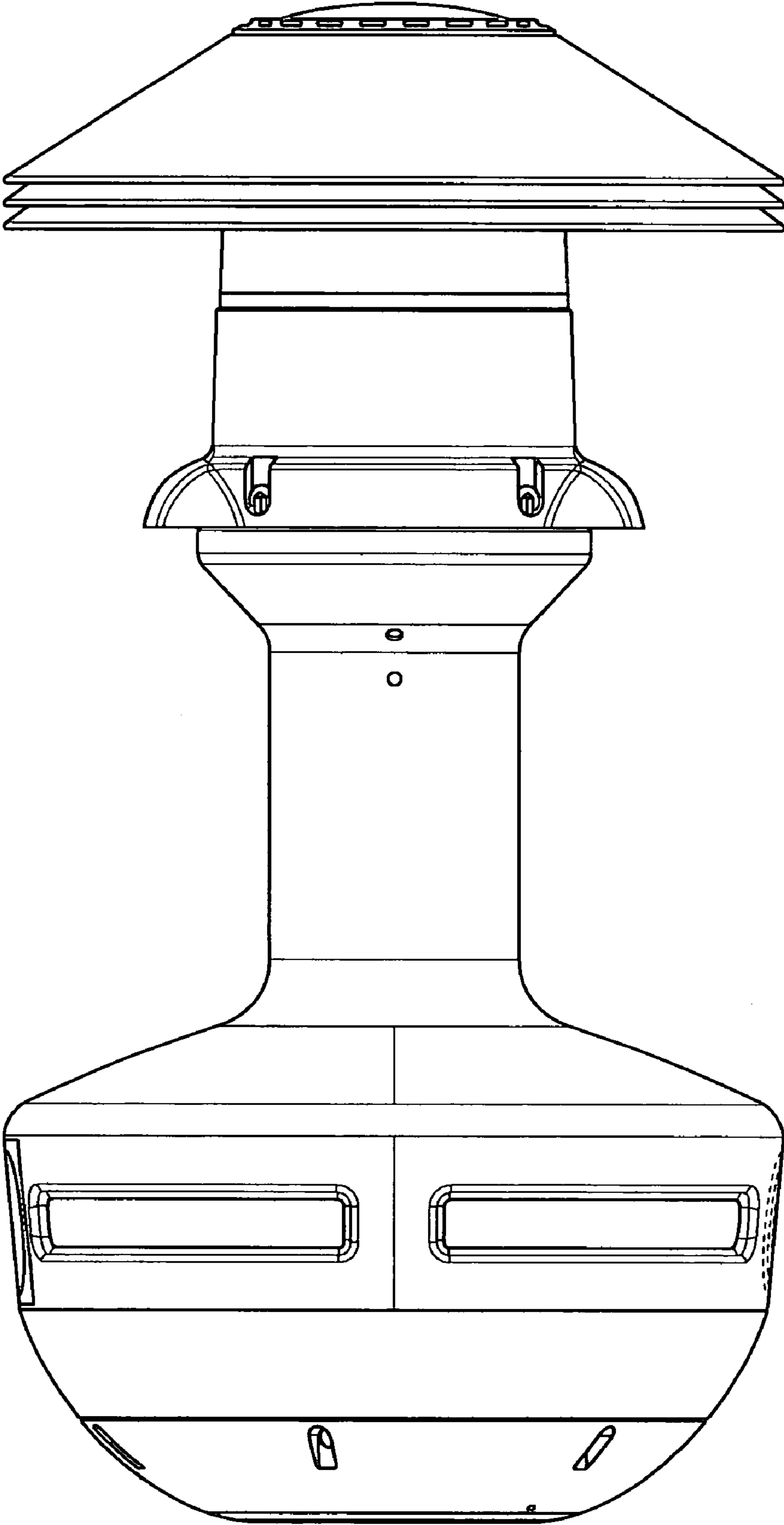


FIG. 1

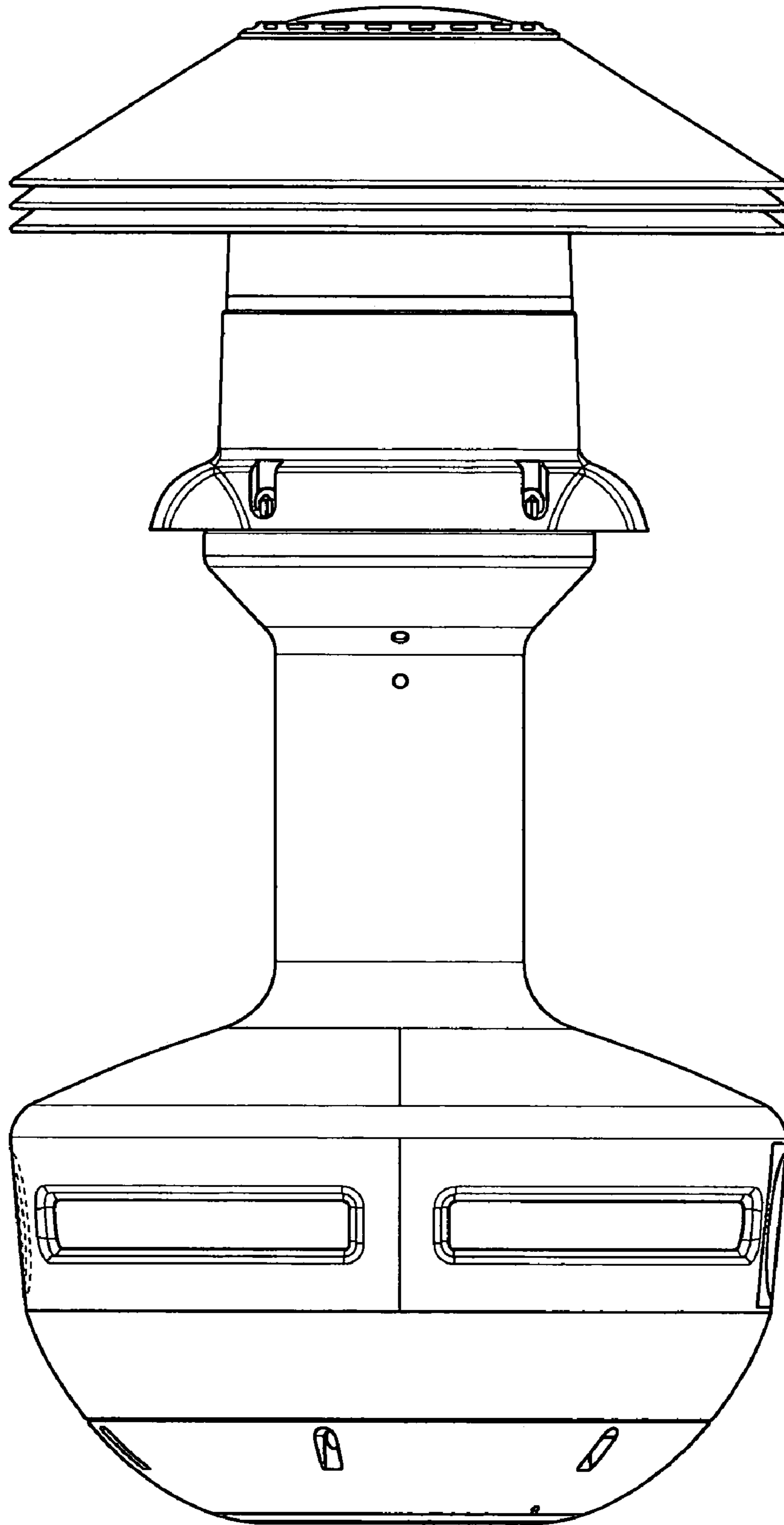


FIG. 2

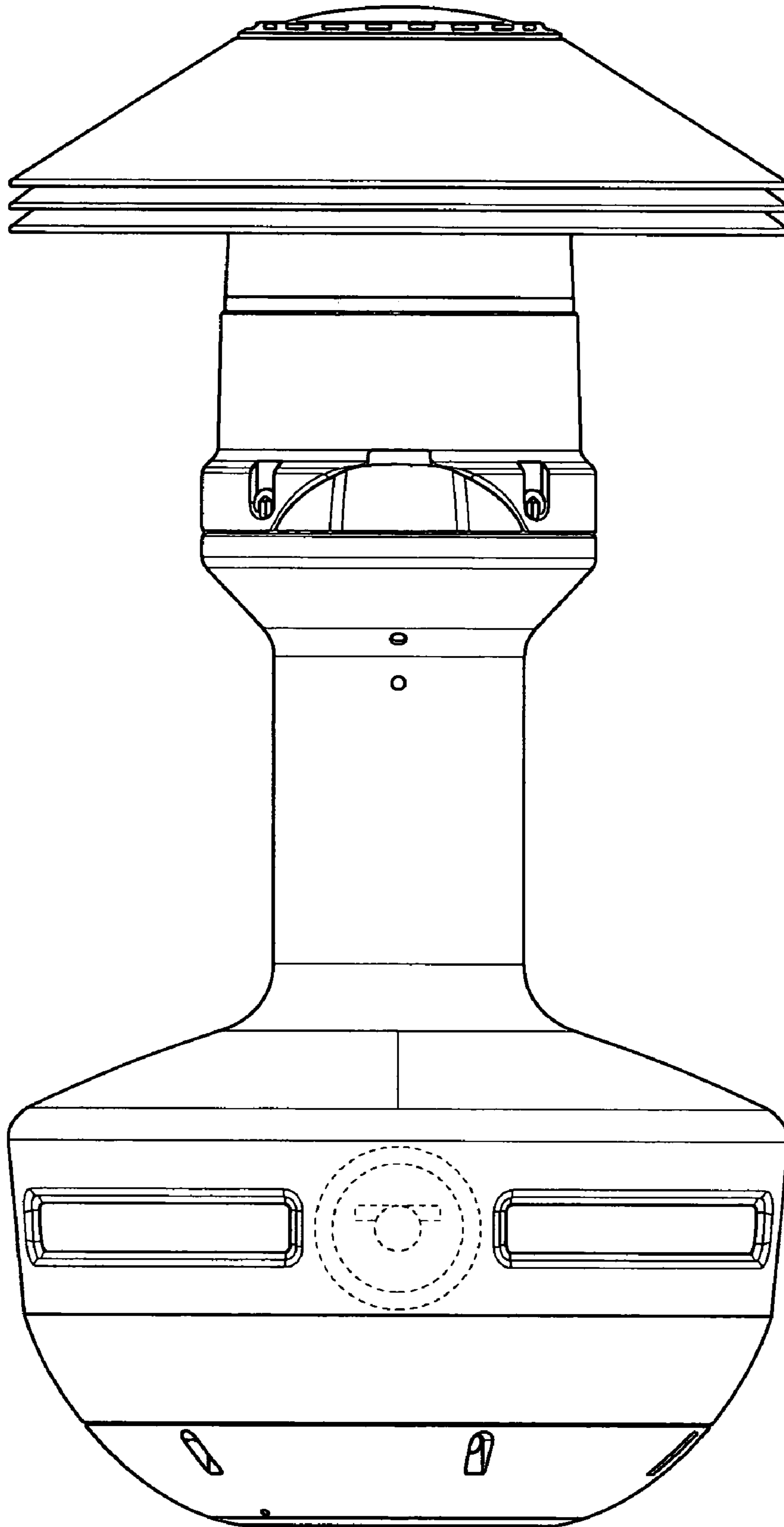


FIG. 3

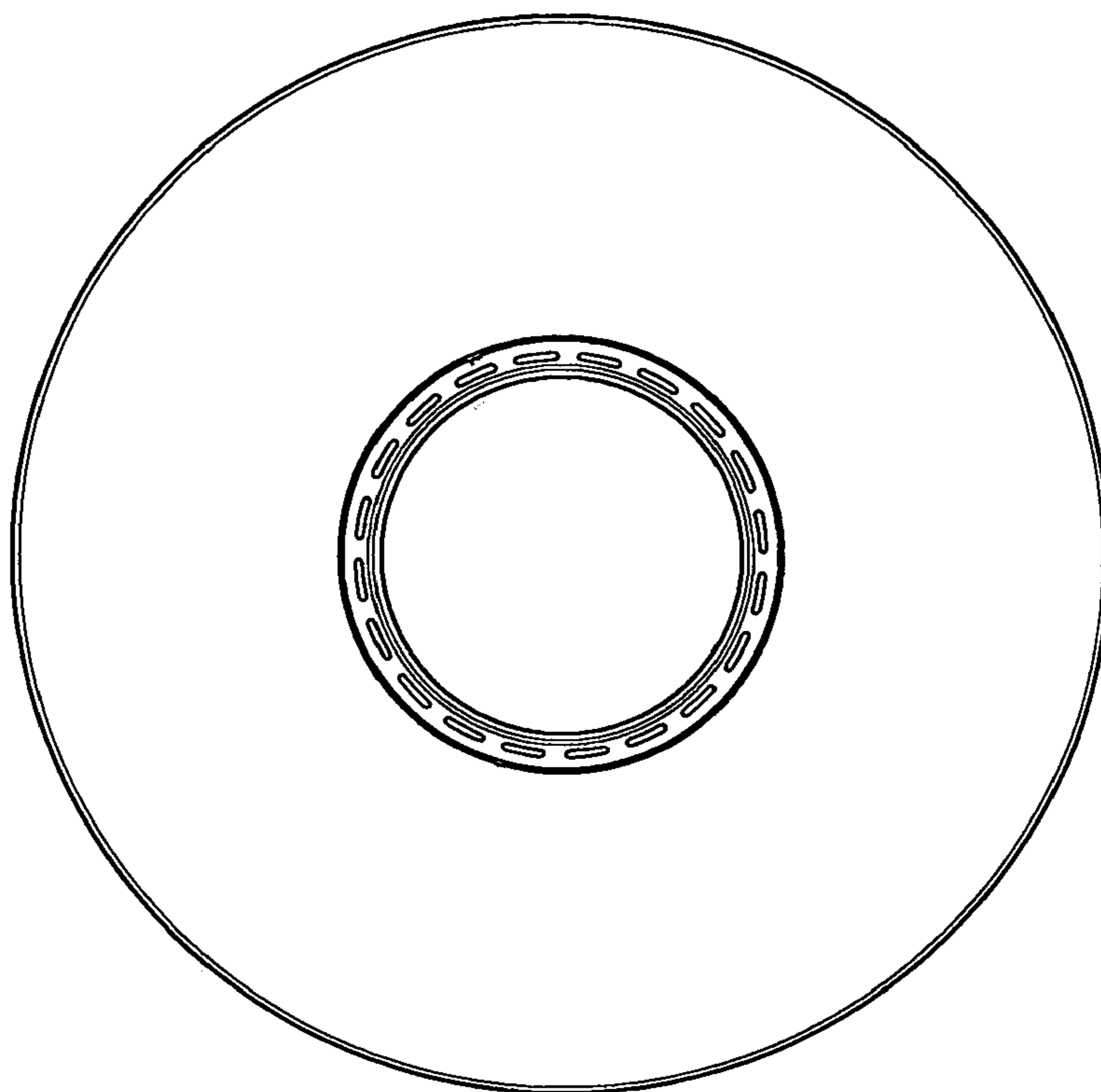


FIG. 4

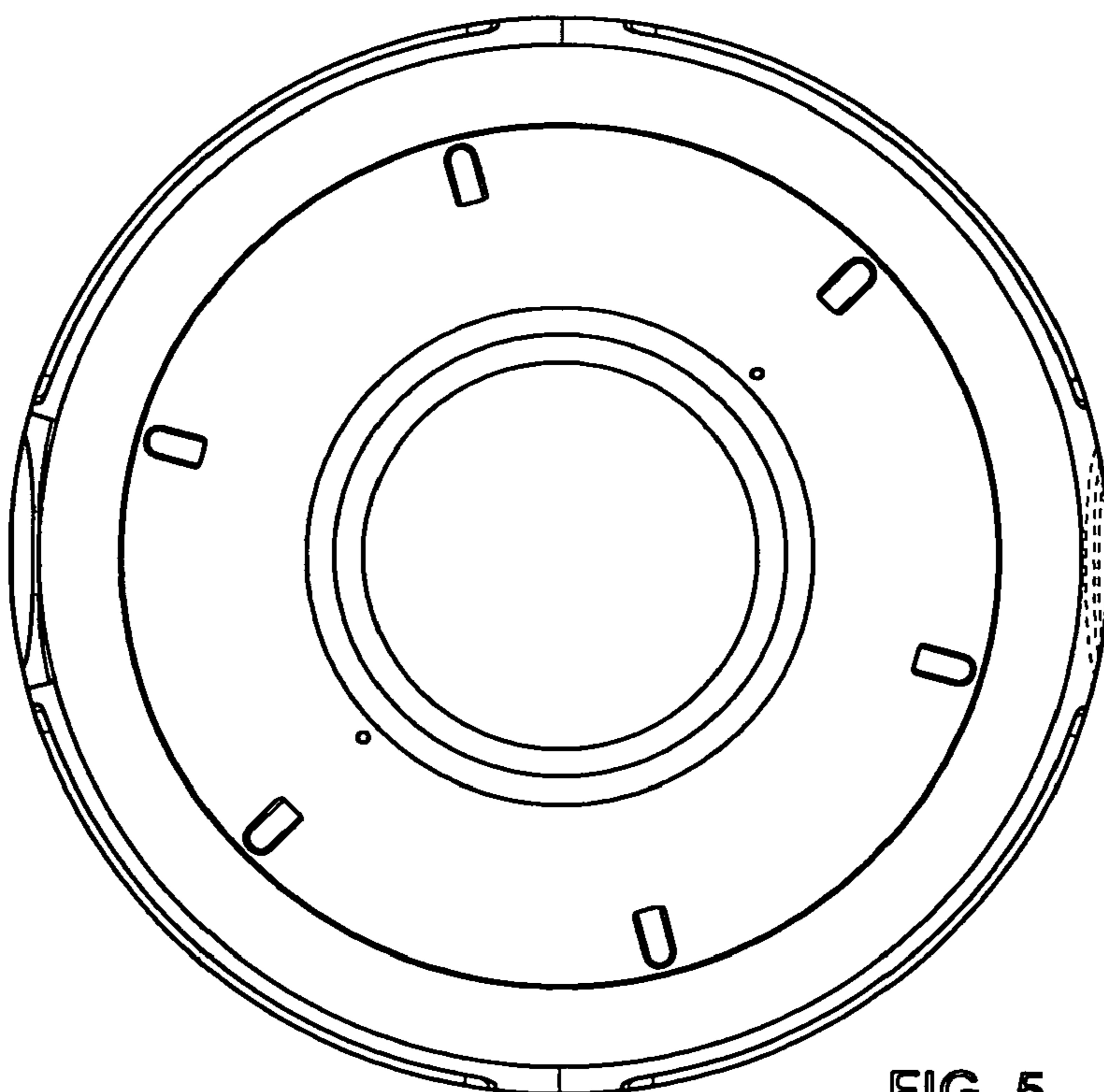


FIG. 5

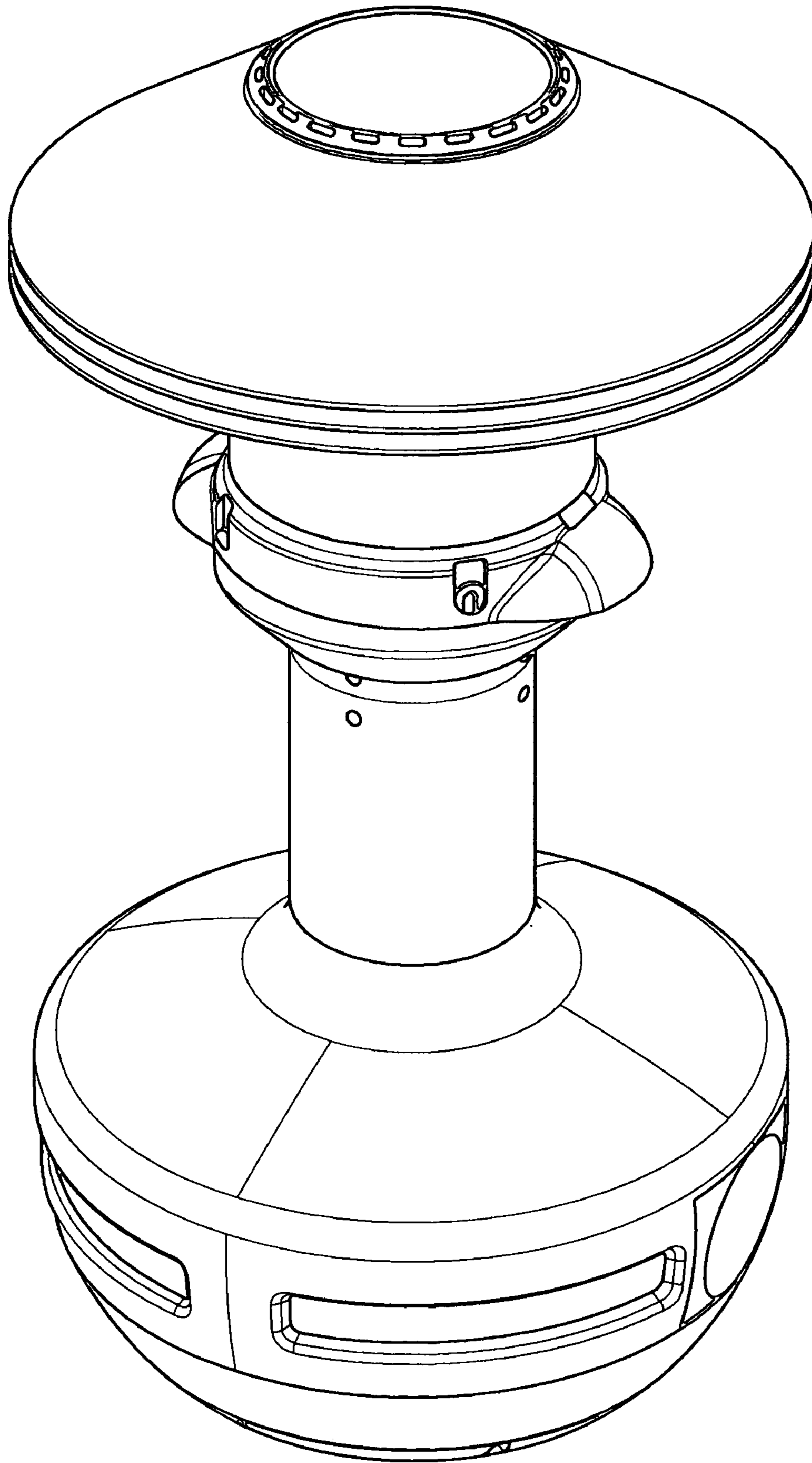


FIG. 6