



US00D570029S

(12) **United States Design Patent**
Hsu

(10) **Patent No.:** **US D570,029 S**

(45) **Date of Patent:** **** May 27, 2008**

(54) **WALL LAMP ASSEMBLY**

D537,554 S * 2/2007 De'Armond D26/87

(75) Inventor: **Keen Hsu**, Taichung (TW)

OTHER PUBLICATIONS

(73) Assignee: **Dong Guan Bright Yinhuey Lighting Co., Ltd.**, Guang Dong (CN)

World Imports Collection shown on p. 49 of the World Imports Catalog No. 26; © 2004.*

(**) Term: **14 Years**

* cited by examiner

(21) Appl. No.: **29/281,307**

Primary Examiner—Clare E Heflin

(22) Filed: **Jun. 20, 2007**

(74) *Attorney, Agent, or Firm*—Alan Kamrath; Kamrath & Associates P.A.

(51) **LOC (8) Cl.** **26-03**

(52) **U.S. Cl.** **D26/86; D26/80; D26/87**

(58) **Field of Classification Search** D26/72,
D26/8-87, 92, 130, 131, 137; 362/147, 432
See application file for complete search history.

(57) **CLAIM**

The ornamental design for a wall lamp assembly, as shown and described.

(56) **References Cited**

DESCRIPTION

U.S. PATENT DOCUMENTS

D41,724 S *	8/1911	Booth	D26/134
1,024,369 A *	4/1912	Sechrist	248/344
D58,061 S *	6/1921	Bowen	D26/145
D442,318 S *	5/2001	Hsieh	D26/87
D442,727 S *	5/2001	Hsu	D26/87
D463,604 S *	9/2002	Phillips	D26/87
D483,512 S *	12/2003	Hsu	D26/80
D513,338 S *	12/2005	Burke	D26/87

FIG. 1 is a front elevational view of a wall lamp assembly showing my design;

FIG. 2 is a rear elevational view thereof;

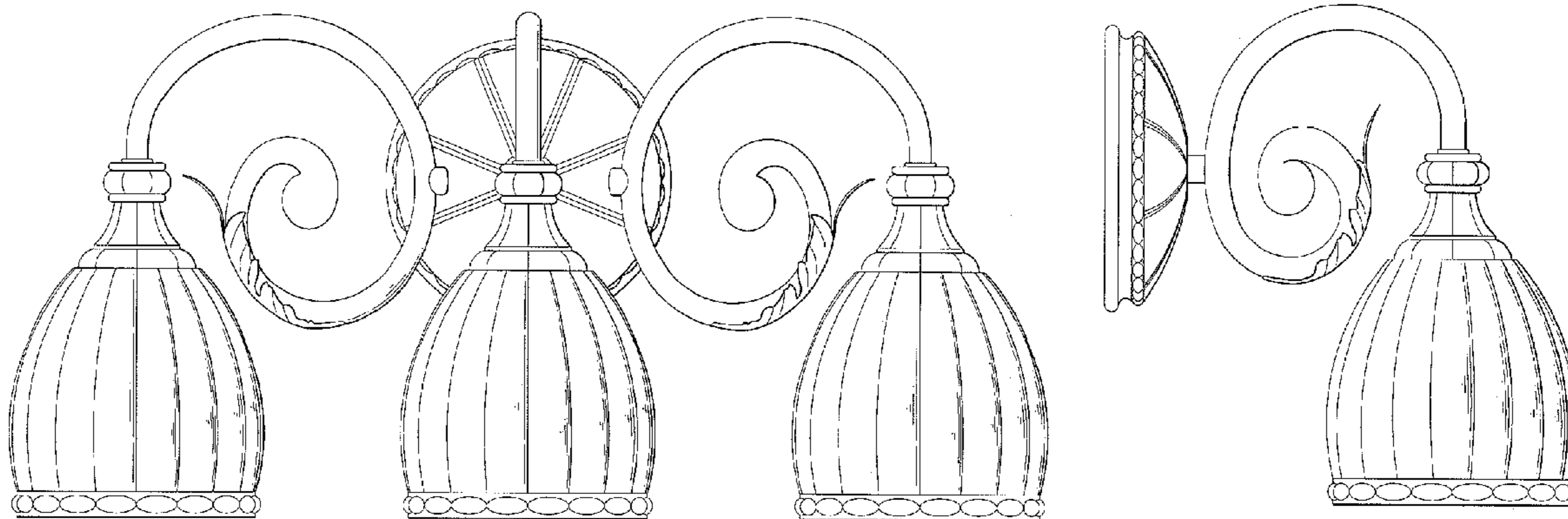
FIG. 3 is a left side elevational view thereof;

FIG. 4 is a right side elevational view thereof;

FIG. 5 is a top plan view thereof; and,

FIG. 6 is a bottom plan view thereof.

1 Claim, 5 Drawing Sheets



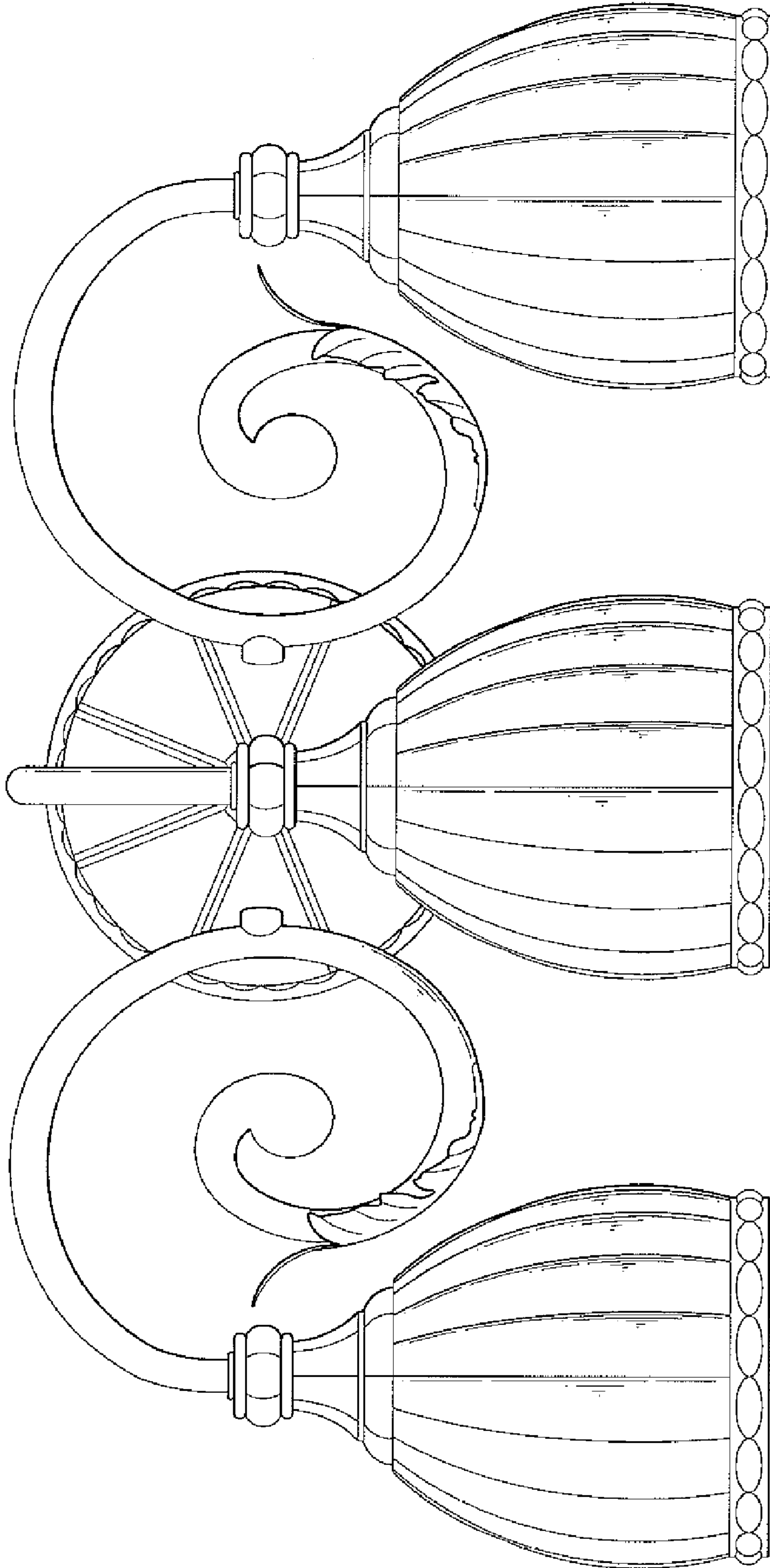


FIG. 1

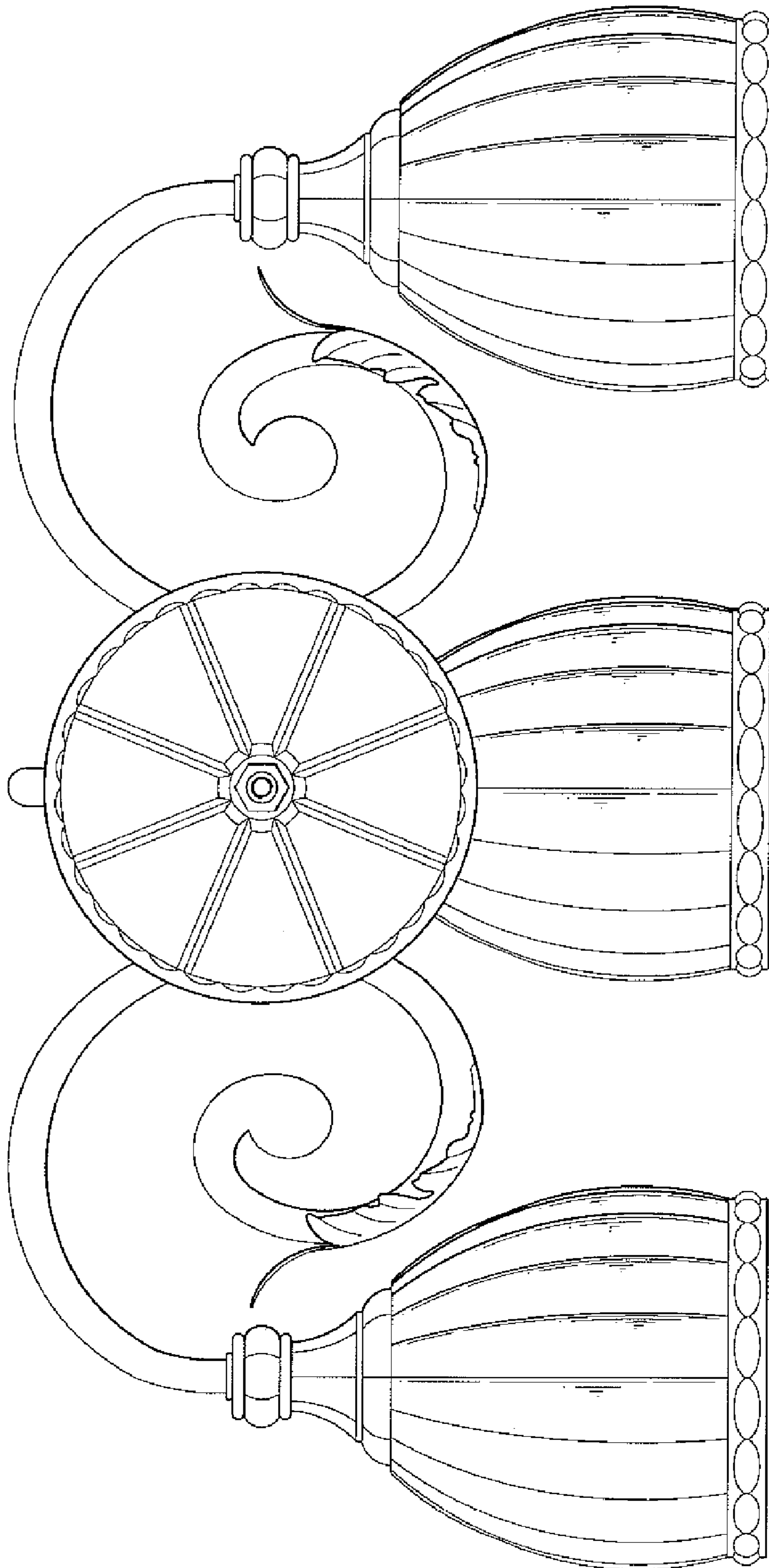


FIG. 2

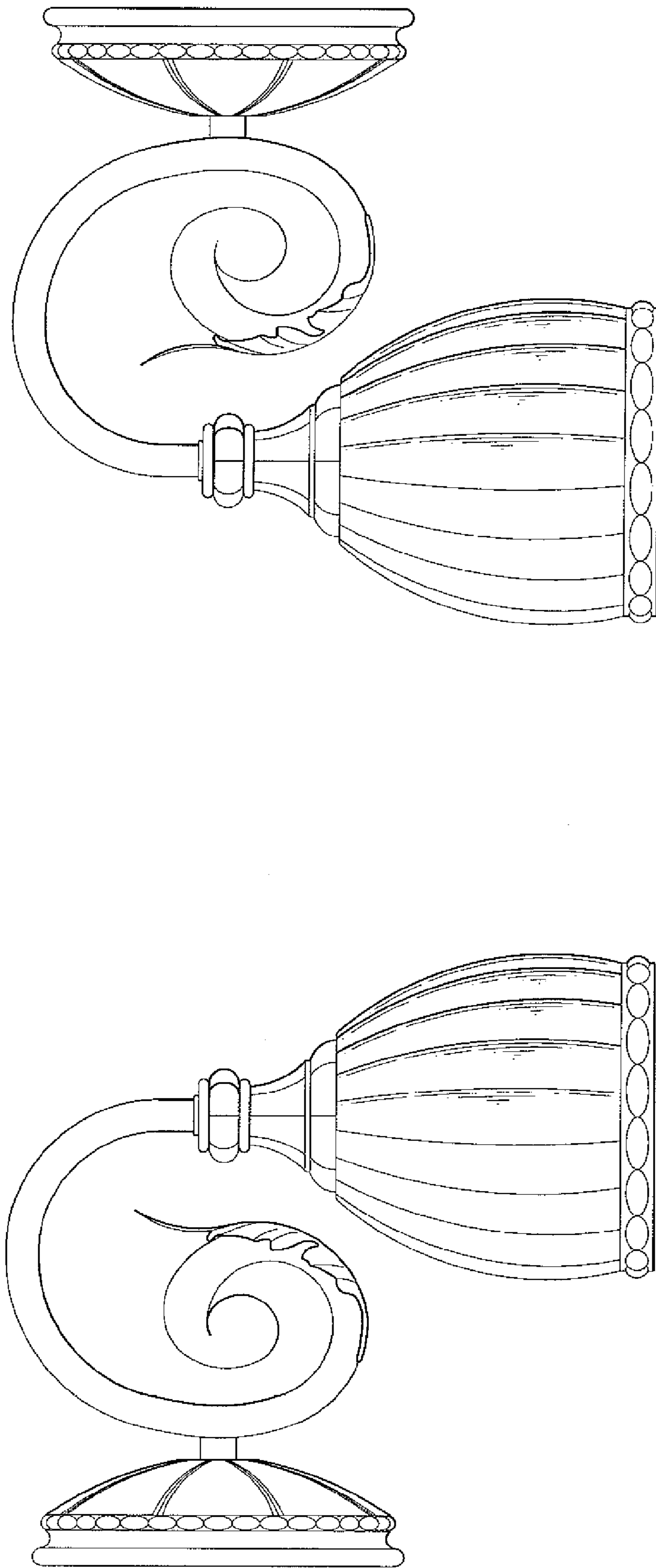


FIG. 4

FIG. 3

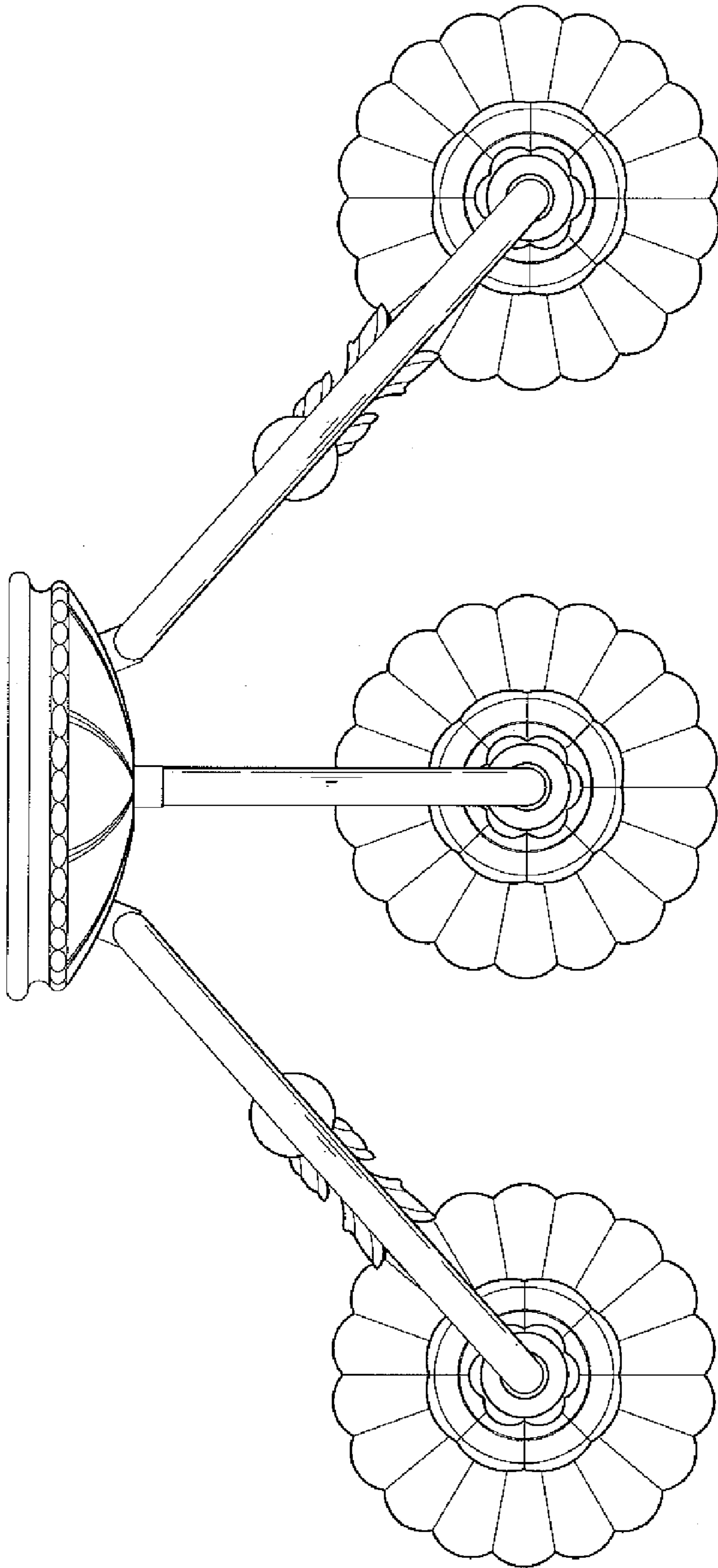


FIG. 5

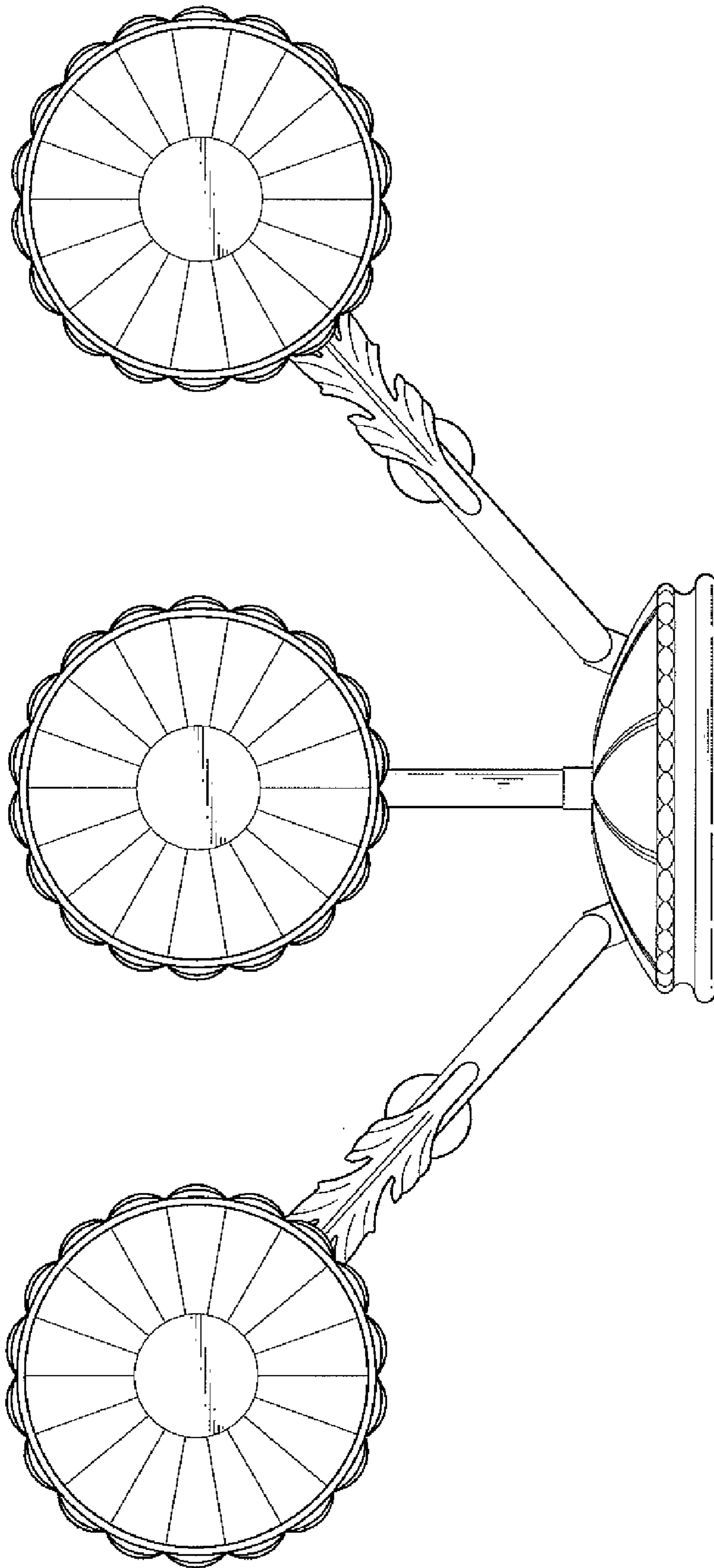


FIG. 6