



US00D570027S

(12) **United States Design Patent**
Miller et al.

(10) **Patent No.:** **US D570,027 S**
(45) **Date of Patent:** **** May 27, 2008**

(54) **WALL LIGHT**

(75) Inventors: **Michael Ray Miller**, Conyers, GA (US); **Doyle Scott Butler**, Dunwoody, GA (US); **Frank A. Friedman**, Mill Valley, CA (US)

(73) Assignee: **Acuity Brands, Inc.**, Atlanta, GA (US)

(**) Term: **14 Years**

(21) Appl. No.: **29/281,267**

(22) Filed: **Jun. 20, 2007**

(51) **LOC (8) Cl.** **26-03**

(52) **U.S. Cl.** **D26/85**

(58) **Field of Classification Search** D26/71,
D26/72, 85, 88, 89, 121, 122; 362/147, 348-350,
362/367, 432, 806, 572

See application file for complete search history.

(56) **References Cited**

U.S. PATENT DOCUMENTS

D42,054 S	12/1911	Lovell	
D69,107 S	12/1925	Blackwell	
D77,406 S	1/1929	Greene	
1,721,540 A	7/1929	Zuleger	
D106,836 S	11/1937	Stewart	
2,521,448 A	9/1950	Corcoran	
D170,188 S	8/1953	Flood, Jr.	
2,963,574 A	12/1960	Pfaff, Jr.	
D192,381 S	3/1962	Curtin et al.	
3,218,446 A	11/1965	Langer	
3,227,868 A *	1/1966	Morgan	362/432
D205,081 S	6/1966	Cousins et al.	
3,366,785 A	1/1968	Huber, Jr.	
3,463,917 A	8/1969	Stockwell et al.	
3,562,509 A	2/1971	Kahl, Jr.	
3,562,510 A	2/1971	Baldwin	
3,725,696 A	4/1973	Morton	
3,757,110 A	9/1973	Soboleski	
D237,533 S	11/1975	Gandini et al.	
D243,473 S	2/1977	Freeman	
4,141,061 A	2/1979	Ford et al.	

4,219,869 A	8/1980	Bowman et al.
4,541,038 A	9/1985	Van Noord
4,547,839 A	10/1985	Ripley et al.
4,639,843 A	1/1987	Compton
D292,525 S	10/1987	Van Deelen
D297,173 S	8/1988	Andersen
4,763,233 A	8/1988	Poyer
4,775,922 A	10/1988	Engel
4,855,884 A	8/1989	Richardson
D304,694 S	11/1989	Goss

(Continued)

FOREIGN PATENT DOCUMENTS

GB	2353351	2/2001
----	---------	--------

(Continued)

Primary Examiner—Clare E Heflin

(74) *Attorney, Agent, or Firm*—Kilpatrick Stockton, LLP

(57) **CLAIM**

The ornamental design for a wall light, as shown and described.

DESCRIPTION

FIG. 1 shows a top perspective view of the top of a wall light.

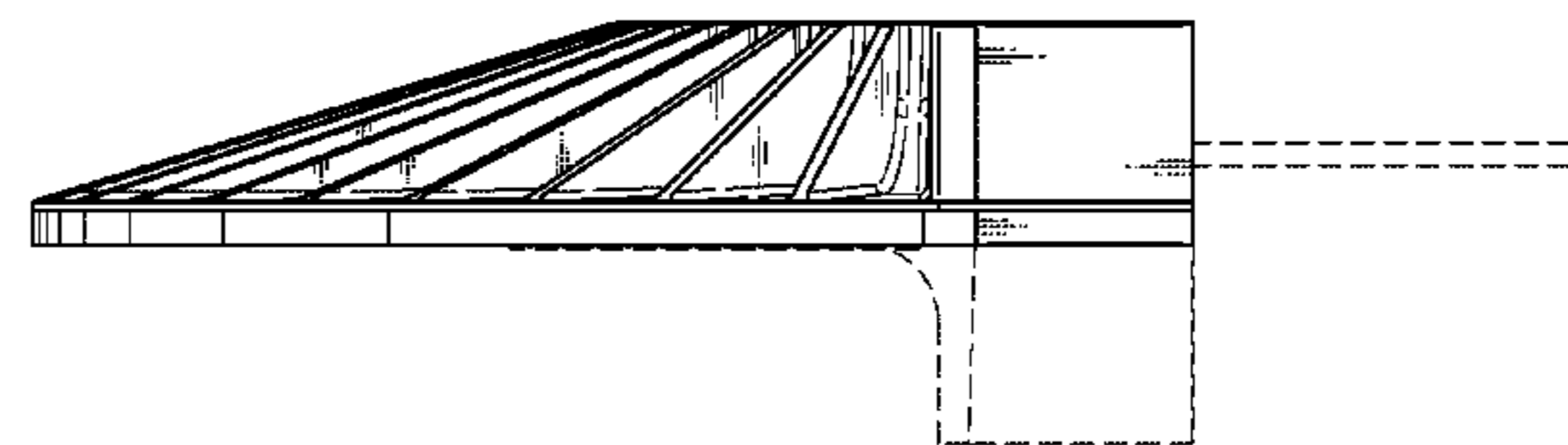
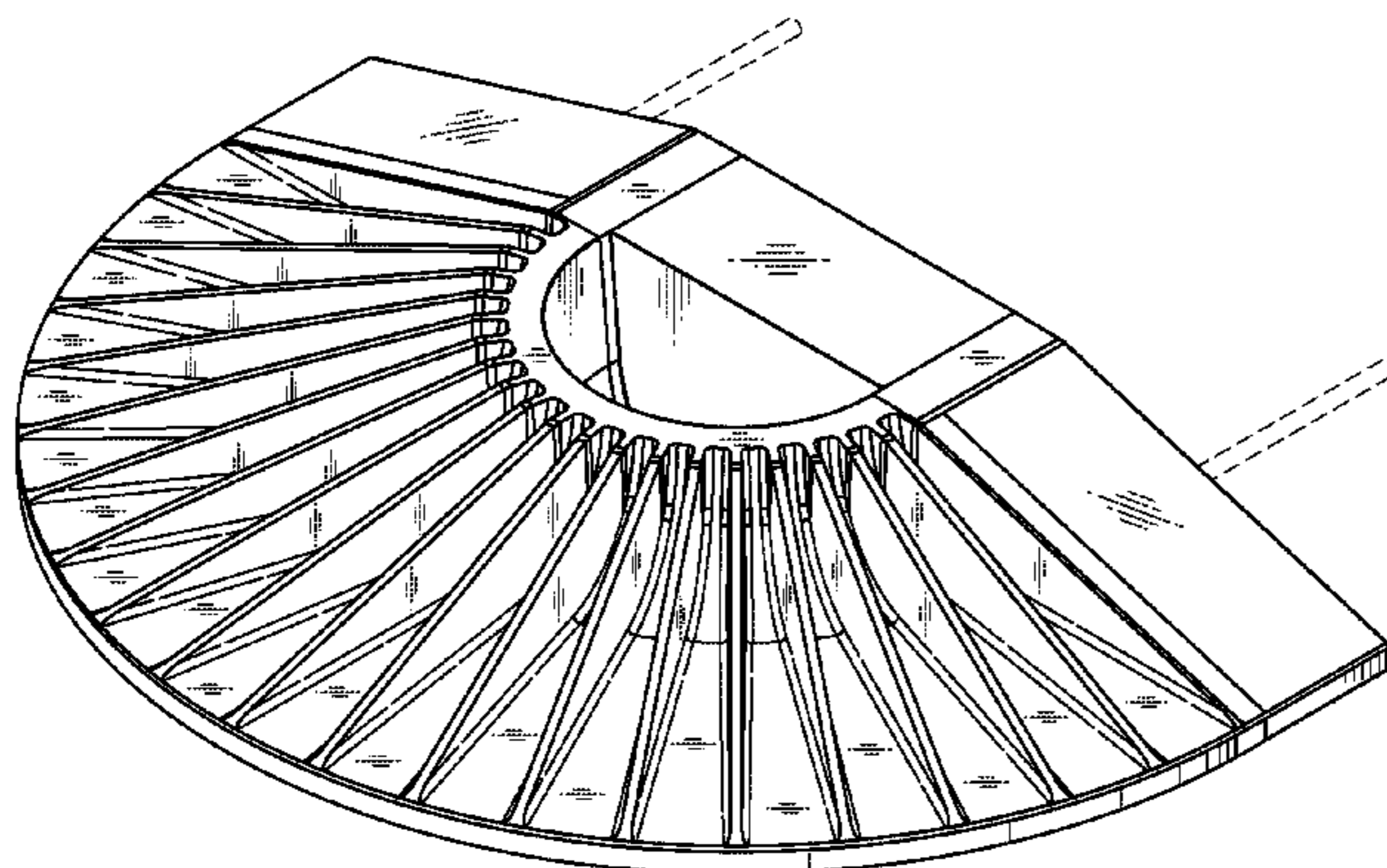
FIG. 2 shows a bottom perspective view of the wall light shown in FIG. 1.

FIG. 3 shows a front elevation view of the wall light shown in FIG. 1; and,

FIG. 4 shows a right side view of the wall light shown in FIG. 1, the left side view being a mirror image of the right side view.

Portions of the wall light shown in broken lines in the drawings form no part of the claimed design.

1 Claim, 3 Drawing Sheets



US D570,027 S

Page 2

U.S. PATENT DOCUMENTS

D309,795 S	8/1990	Sahlen	
4,998,193 A	3/1991	Chuing-Hui	
D319,319 S	8/1991	Von Kluck	
D320,668 S	10/1991	von Kluck	
D326,734 S	6/1992	Rizzi et al.	
5,122,942 A	6/1992	Lee	
5,134,550 A	7/1992	Young	
D332,840 S	1/1993	Cohon	
D337,846 S *	7/1993	Fiorato	D26/85
5,278,738 A	1/1994	Illes	
D345,436 S	3/1994	Evans	
D347,487 S *	5/1994	Johnson et al.	D26/85
D349,173 S	7/1994	Fellinger	
5,379,199 A	1/1995	Hirshenhorn et al.	
5,402,328 A	3/1995	Pardo	
D361,639 S	8/1995	Christopoulos	
D368,547 S	4/1996	Chen	
D370,071 S	5/1996	Sonneman	
D371,857 S *	7/1996	Gismondi	D26/85
D373,215 S	8/1996	Lewis	
D374,304 S	10/1996	Sung	
D380,853 S *	7/1997	Johnson	D26/85
D385,649 S	10/1997	Yeh	
D388,726 S	1/1998	Wu	
D394,326 S	5/1998	Littman et al.	
D400,293 S *	10/1998	Edwards	D26/142
5,826,975 A	10/1998	Hsieh et al.	
5,938,316 A	8/1999	Yan	
D417,743 S	12/1999	Littman et al.	
D420,165 S	2/2000	Chiu	
6,039,463 A	3/2000	Lin	
6,048,081 A	4/2000	Richardson	
D434,173 S	11/2000	Rochon	
D434,174 S	11/2000	Hsu	
D434,872 S	12/2000	Chen	
D436,215 S	1/2001	Yeh	
6,250,781 B1	6/2001	Straus et al.	
D465,868 S *	11/2002	Gaskins et al.	D26/72
D468,051 S *	12/2002	Gaskins et al.	D26/123
D479,356 S	9/2003	Baarman et al.	
6,686,847 B1	2/2004	Mittler	
6,752,509 B1	6/2004	Lin et al.	

D505,222 S	5/2005	Logan	
6,913,369 B2	7/2005	Chadwick	
D516,229 S	2/2006	Tang	
6,994,461 B2	2/2006	Lodhie	
7,021,805 B2	4/2006	Amano et al.	
7,025,482 B2 *	4/2006	Yamashita et al.	362/348
7,029,143 B2	4/2006	Kiechle et al.	
7,036,960 B1	5/2006	Gretz	
D525,374 S	7/2006	Maxik et al.	
D526,082 S	8/2006	McCarthy, III	
7,083,315 B2	8/2006	Hansler et al.	
7,090,382 B2	8/2006	Haddad et al.	
7,097,330 B1	8/2006	Straus et al.	
7,111,954 B1	9/2006	Lai	
7,111,961 B2	9/2006	Trenchard et al.	
D530,836 S	10/2006	Johnson	
7,121,691 B2	10/2006	Coushaine et al.	
7,134,762 B2	11/2006	Ma	
D534,680 S	1/2007	Miranda	
D535,039 S	1/2007	Sorokin	
7,178,952 B2	2/2007	Bucher et al.	
D538,951 S	3/2007	Maxik et al.	
D538,952 S	3/2007	Maxik et al.	
7,188,986 B1	3/2007	Harwood	
2003/0072156 A1	4/2003	Pohlert	
2004/0080938 A1	4/2004	Holman et al.	
2004/0156213 A1	8/2004	Lodhie	
2005/0243576 A1	11/2005	Park et al.	
2006/0002110 A1	1/2006	Dowling et al.	
2006/0039159 A1	2/2006	Grote, III et al.	
2006/0070642 A1	4/2006	Lo	
2006/0082994 A1	4/2006	Wang et al.	
2006/0092638 A1	5/2006	Harwood	
2006/0114682 A1	6/2006	Schuster	
2006/0209548 A1	9/2006	Cowan	
2006/0256568 A1	11/2006	Ellis	
2007/0041190 A1	2/2007	Chou	
2007/0053192 A1	3/2007	Copeland	
2007/0076416 A1	4/2007	Leonhardt et al.	

FOREIGN PATENT DOCUMENTS

WO WO 2001/84042 A1 11/2001

* cited by examiner

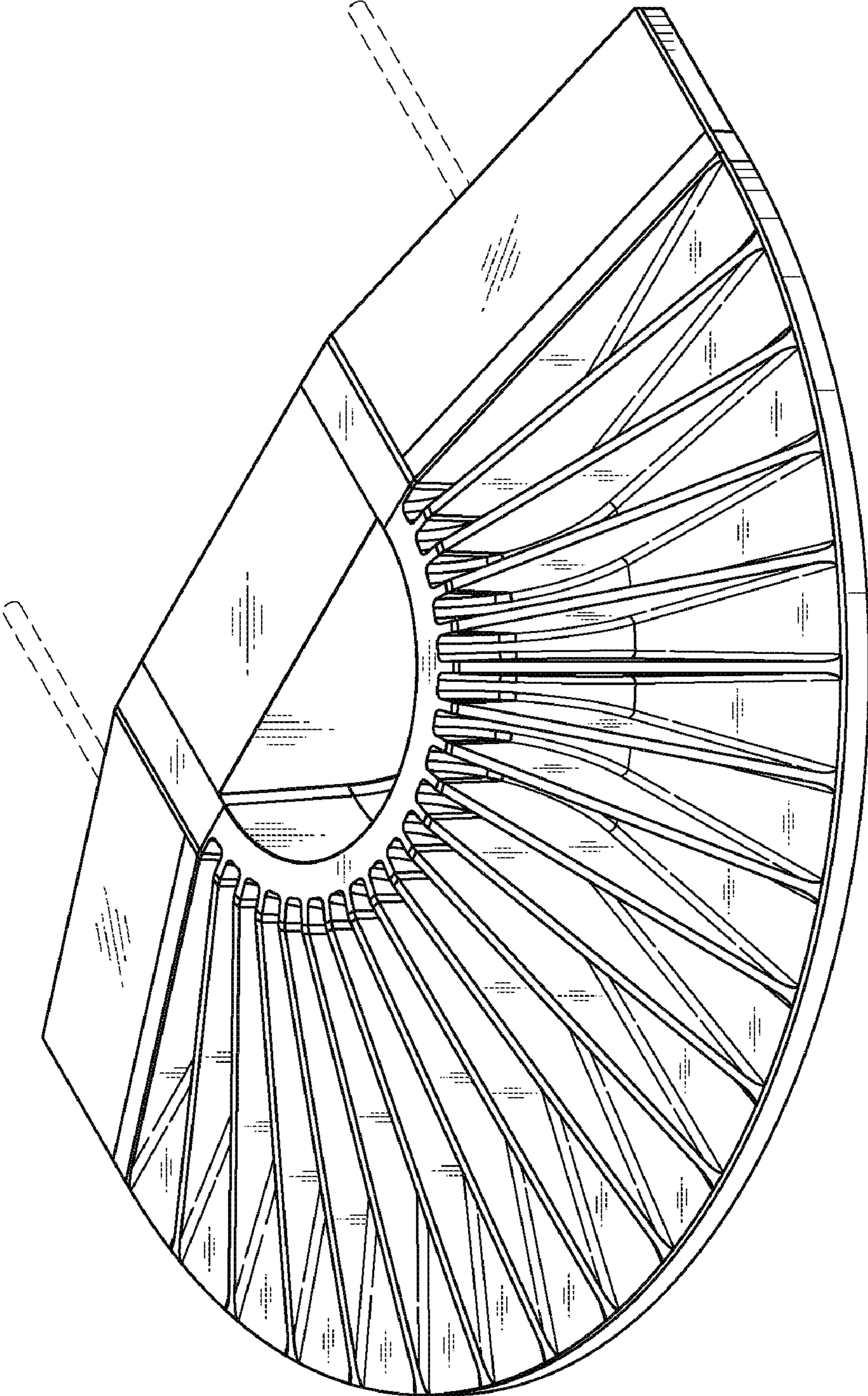


FIG. 1

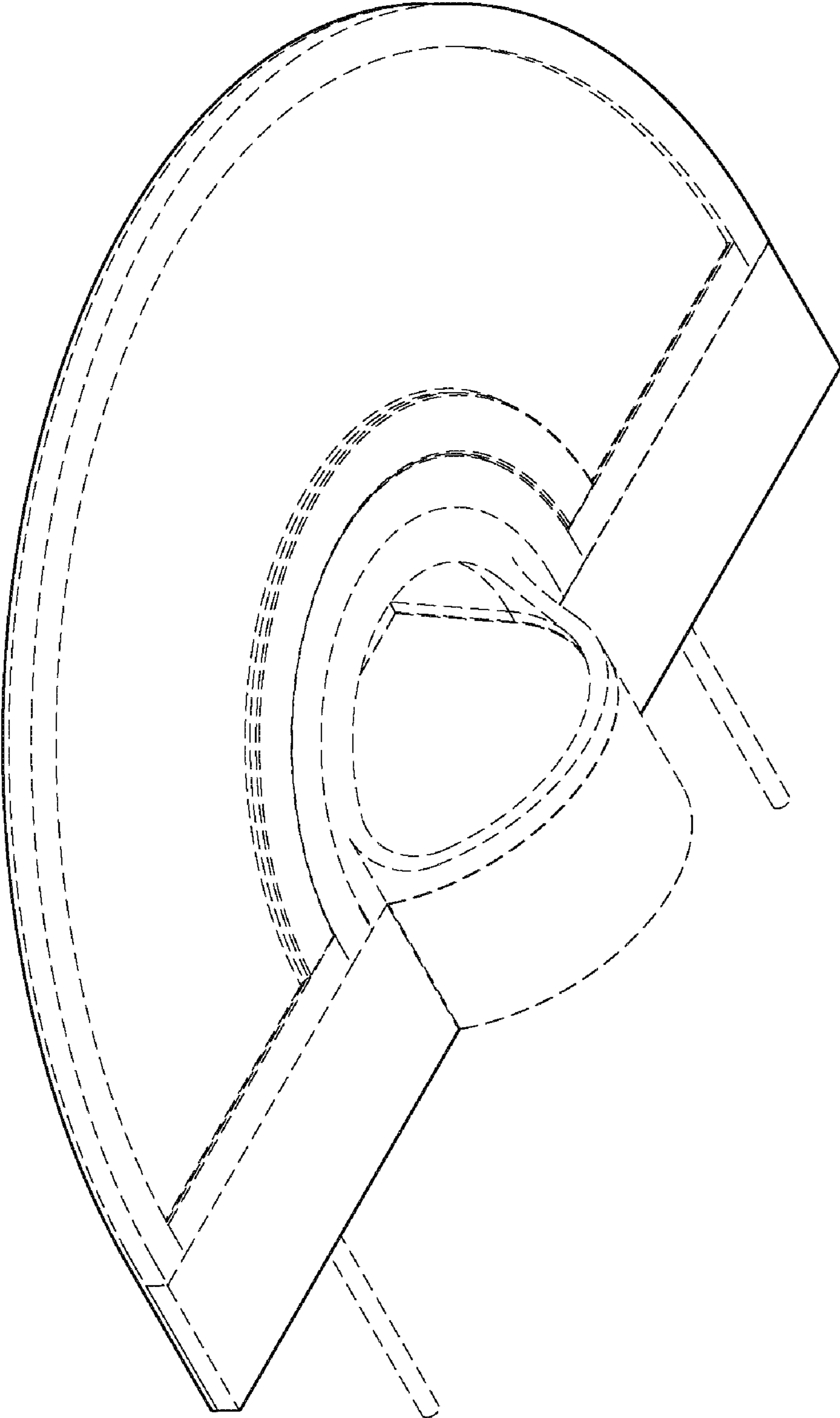


FIG. 2

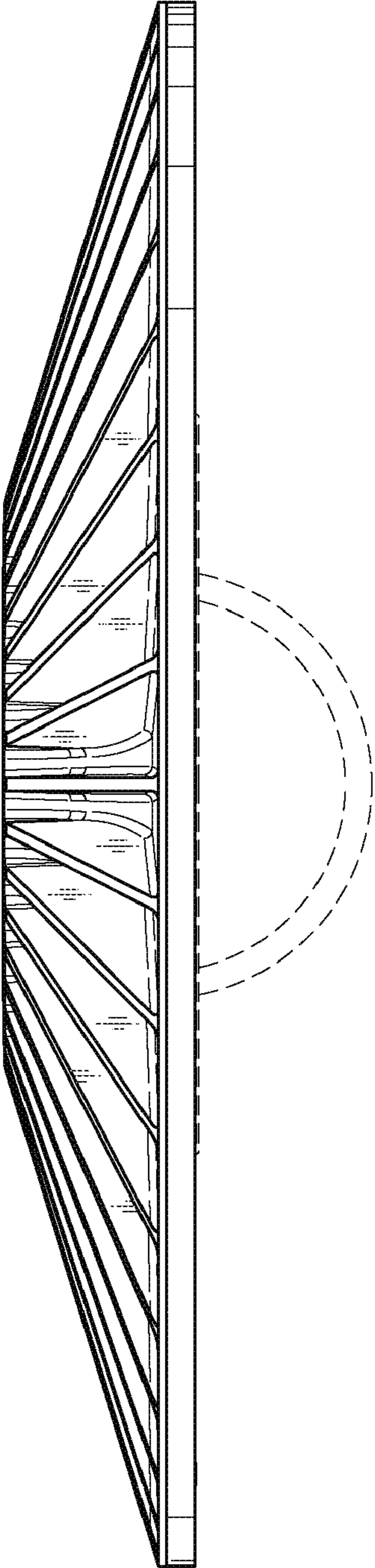


FIG. 3

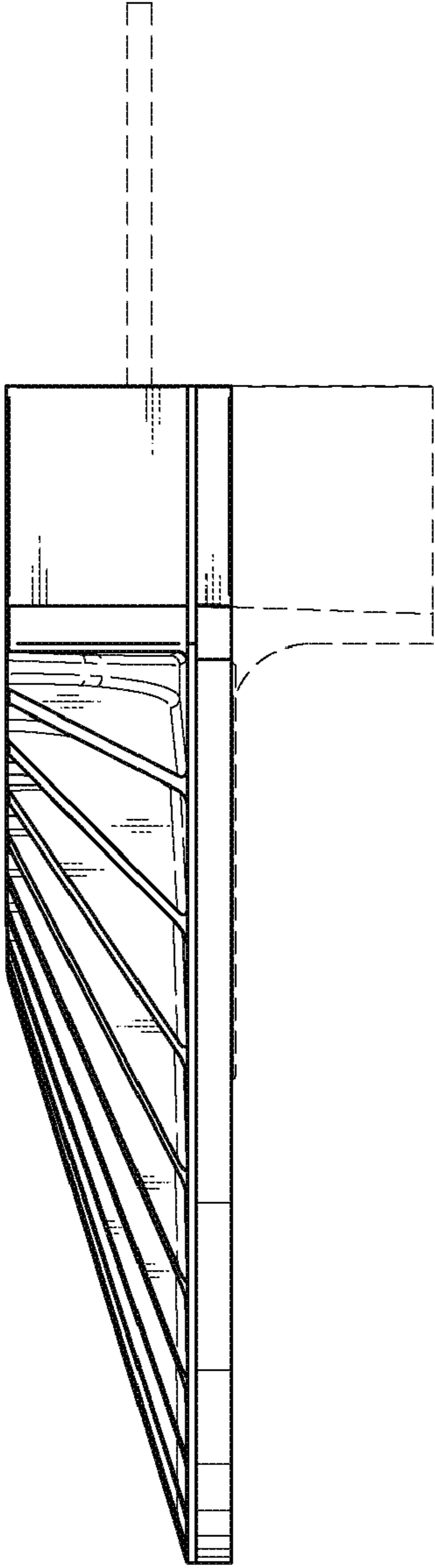


FIG. 4