

US00D570025S

(12) **United States Design Patent**  
**Walker**

(10) **Patent No.:** **US D570,025 S**  
(45) **Date of Patent:** **\*\* May 27, 2008**

(54) **LUMINAIRE**

(75) Inventor: **Justin M. Walker**, York, PA (US)

(73) Assignee: **Genlyte Thomas Group, LLC**,  
Louisville, KY (US)

(\*\*) Term: **14 Years**

(21) Appl. No.: **29/298,078**

(22) Filed: **Nov. 28, 2007**

(51) **LOC (8) Cl.** ..... **26-05**

(52) **U.S. Cl.** ..... **D26/71; D26/92**

(58) **Field of Classification Search** ..... D26/67-71,  
D26/92; 362/145, 183, 431, 545, 800

See application file for complete search history.

(56) **References Cited**

**U.S. PATENT DOCUMENTS**

1,633,837 A	6/1927	Youtz	
2,166,394 A	7/1939	Crossley	
D201,909 S *	8/1965	Harling	..... D26/71
3,251,987 A	5/1966	Wince	
3,340,393 A	9/1967	Frank et al.	
3,388,246 A	6/1968	Bailey	
3,448,260 A	6/1969	Wince et al.	
3,505,515 A	4/1970	Adra	
3,604,916 A	9/1971	Adra	
4,090,210 A	5/1978	Wehling et al.	
4,143,413 A	3/1979	Kelly	
4,212,050 A	7/1980	Trenkler	
4,319,313 A	3/1982	Eberhart et al.	
4,333,131 A	6/1982	Hujimoto et al.	
4,462,068 A	7/1984	Shadwick	
4,473,873 A	9/1984	Quiogue	
4,527,244 A	7/1985	Graham et al.	
4,587,602 A	5/1986	Dean et al.	
4,590,544 A	5/1986	Decandia	
4,623,956 A	11/1986	Conti	
4,760,511 A	7/1988	Russello et al.	
5,068,769 A	11/1991	Umeda et al.	
5,309,341 A	5/1994	Russello et al.	
5,339,234 A	8/1994	Russello et al.	
5,613,766 A	3/1997	Raouf	
5,642,934 A	7/1997	Haddad	
5,647,659 A	7/1997	Mori	
D391,659 S *	3/1998	Gaskins et al.	..... D26/71
5,803,585 A	9/1998	Littman et al.	
5,906,431 A	5/1999	Chianale et al.	

D417,303 S *	11/1999	Rahn	..... D26/67
D442,313 S *	5/2001	Wojtkowiak et al.	..... D26/71
D447,590 S *	9/2001	Raouf et al.	..... D26/71
6,290,376 B1	9/2001	Gutierrez et al.	
D456,926 S *	5/2002	Gaskins et al.	..... D26/71
D501,057 S *	1/2005	Haugaard et al.	..... D26/71
D531,342 S *	10/2006	Kauffman et al.	..... D26/68
D541,463 S *	4/2007	Tortel	..... D26/71
7,244,050 B2	7/2007	Summerford et al.	
D556,357 S *	11/2007	Butler et al.	..... D26/71
7,296,914 B1	11/2007	Russello et al.	
D556,935 S *	12/2007	Quiogue et al.	..... D26/71

\* cited by examiner

*Primary Examiner*—Clare E Heflin

(74) *Attorney, Agent, or Firm*—John F. Salazar; Middleton Reutlinger

(57) **CLAIM**

The ornamental design for a luminaire, as shown and described.

**DESCRIPTION**

FIG. 1 is a lower perspective view of the luminaire of the present invention;

FIG. 2 is an upper perspective view of the luminaire of the present invention;

FIG. 3 is a top view of the design of the present invention;

FIG. 4 is a rear view of the design of the present invention;

FIG. 5 is a front view of the design of the present invention;

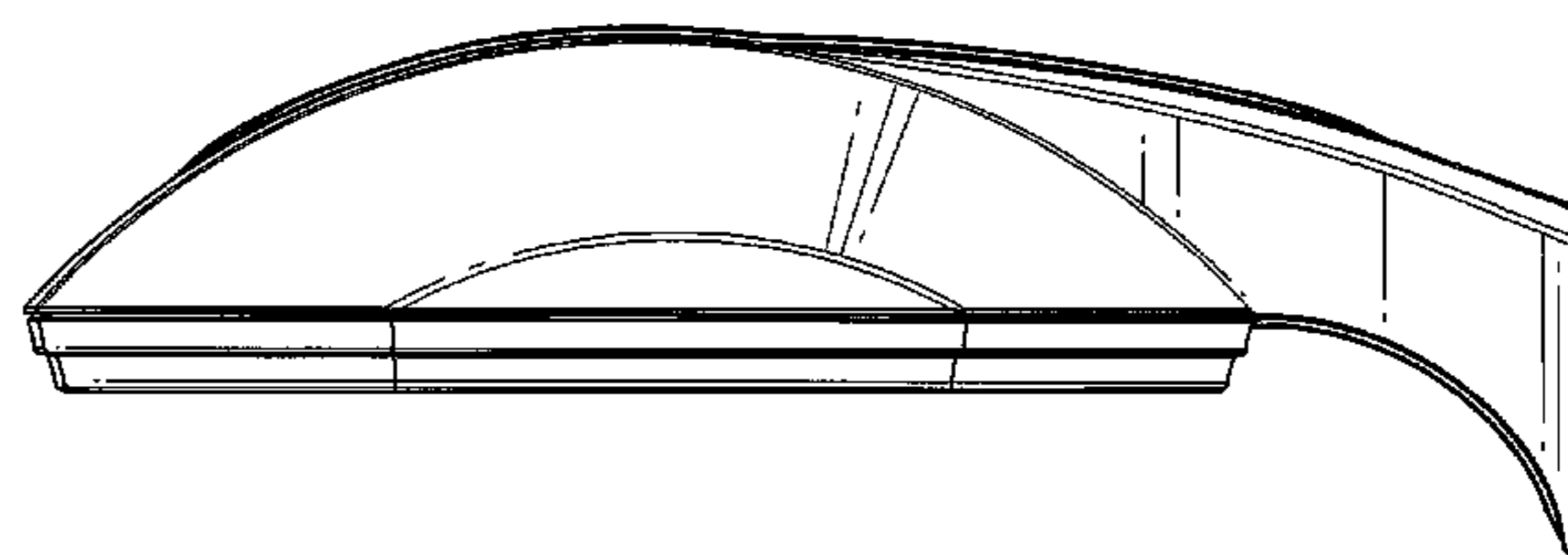
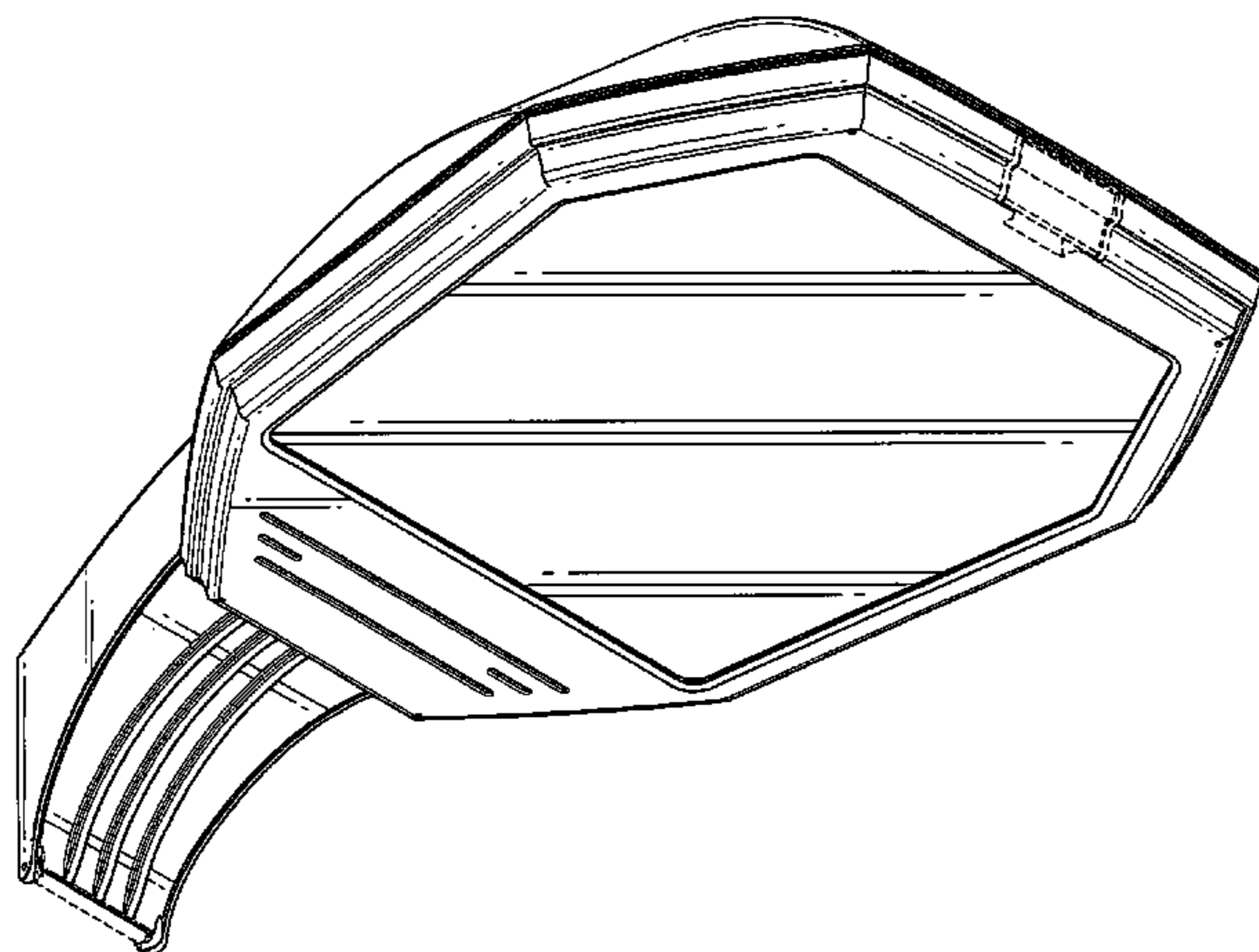
FIG. 6 is a right side view of the design of the present invention;

FIG. 7 is a left side view of the design of the present invention; and,

FIG. 8 is a bottom view of the design of the present invention.

The broken lines showing environmental structure are for illustrative purposes only and form no part of the claimed design.

**1 Claim, 8 Drawing Sheets**



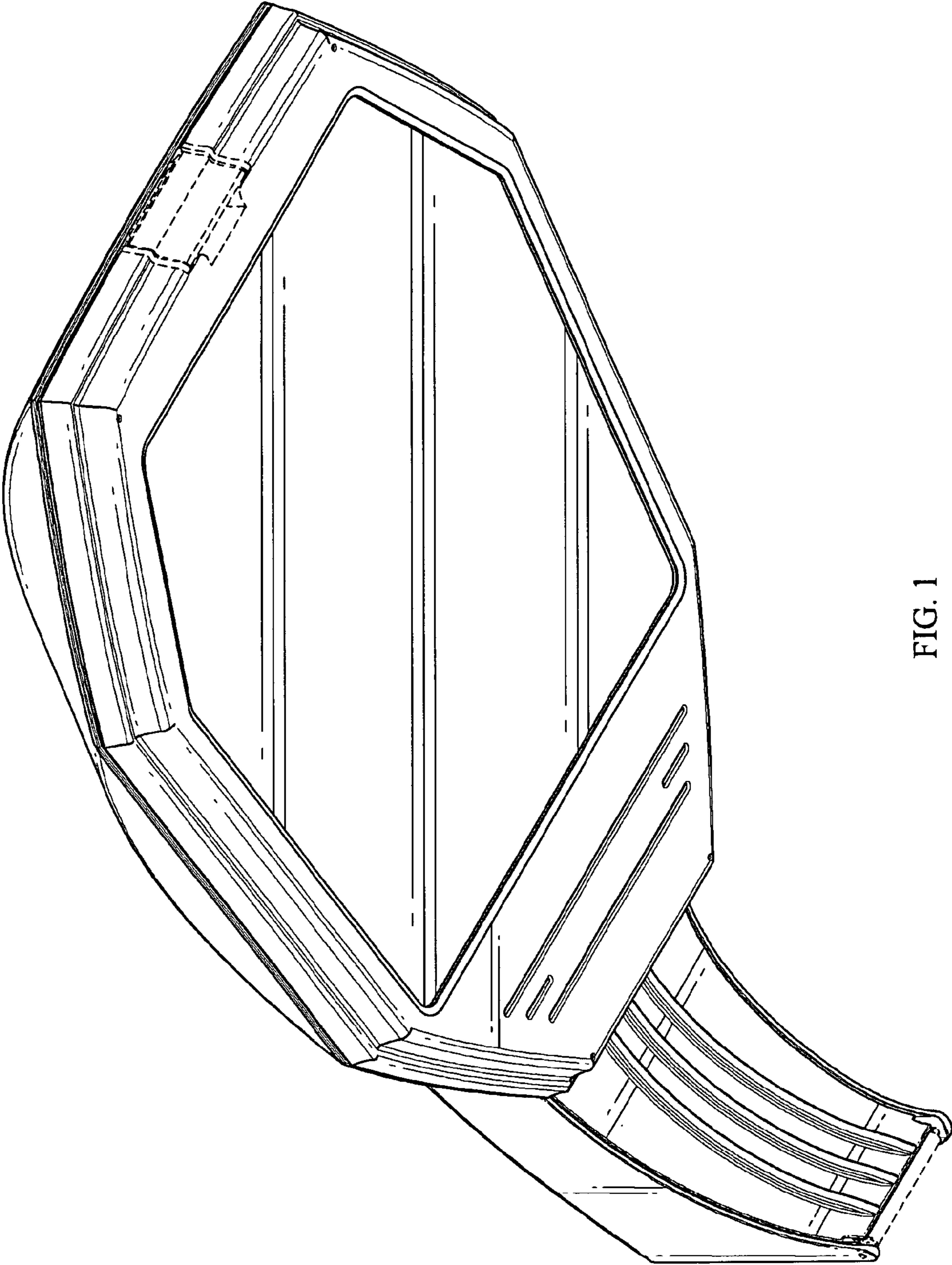


FIG. 1

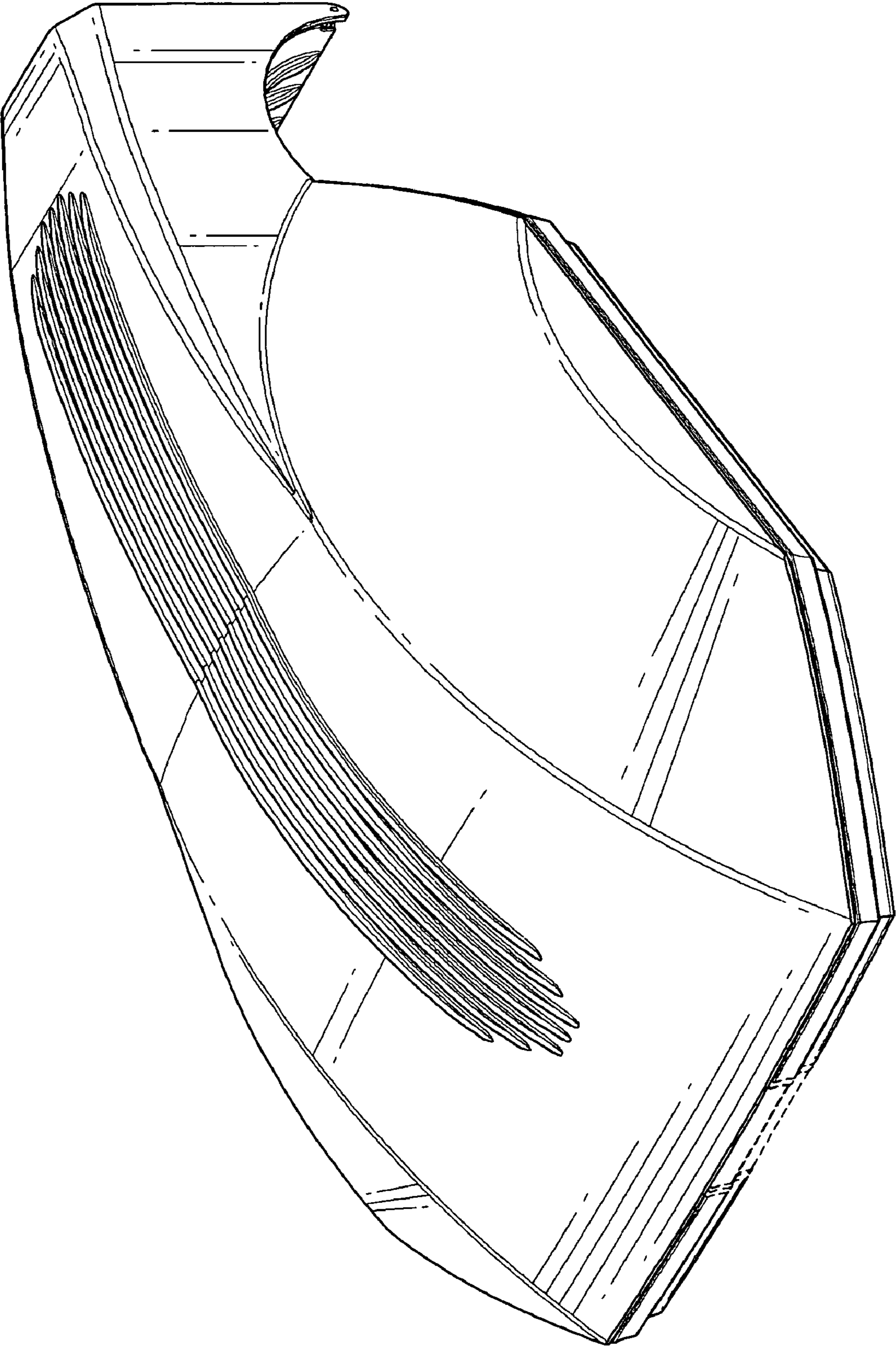


FIG. 2

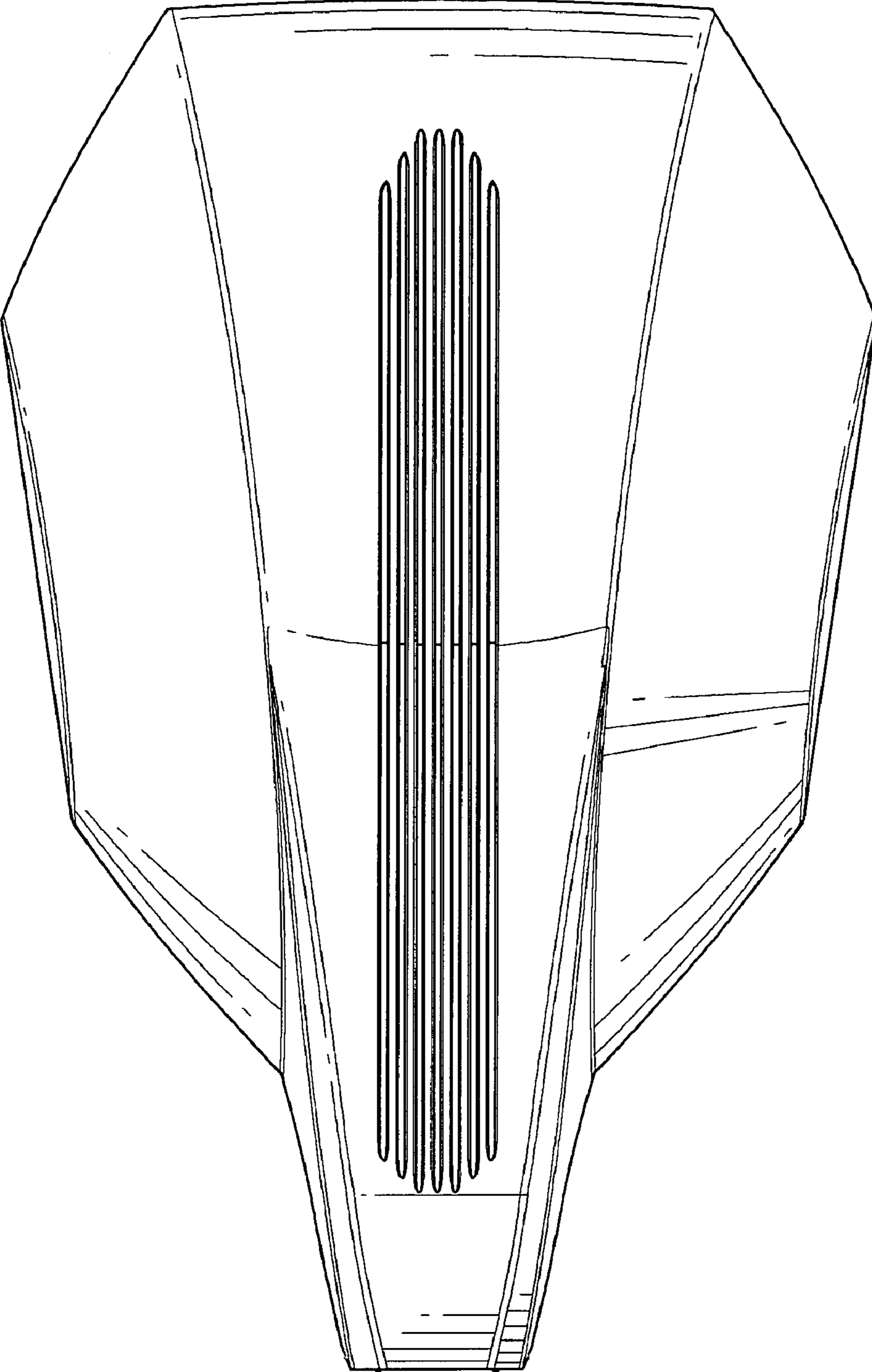


FIG. 3

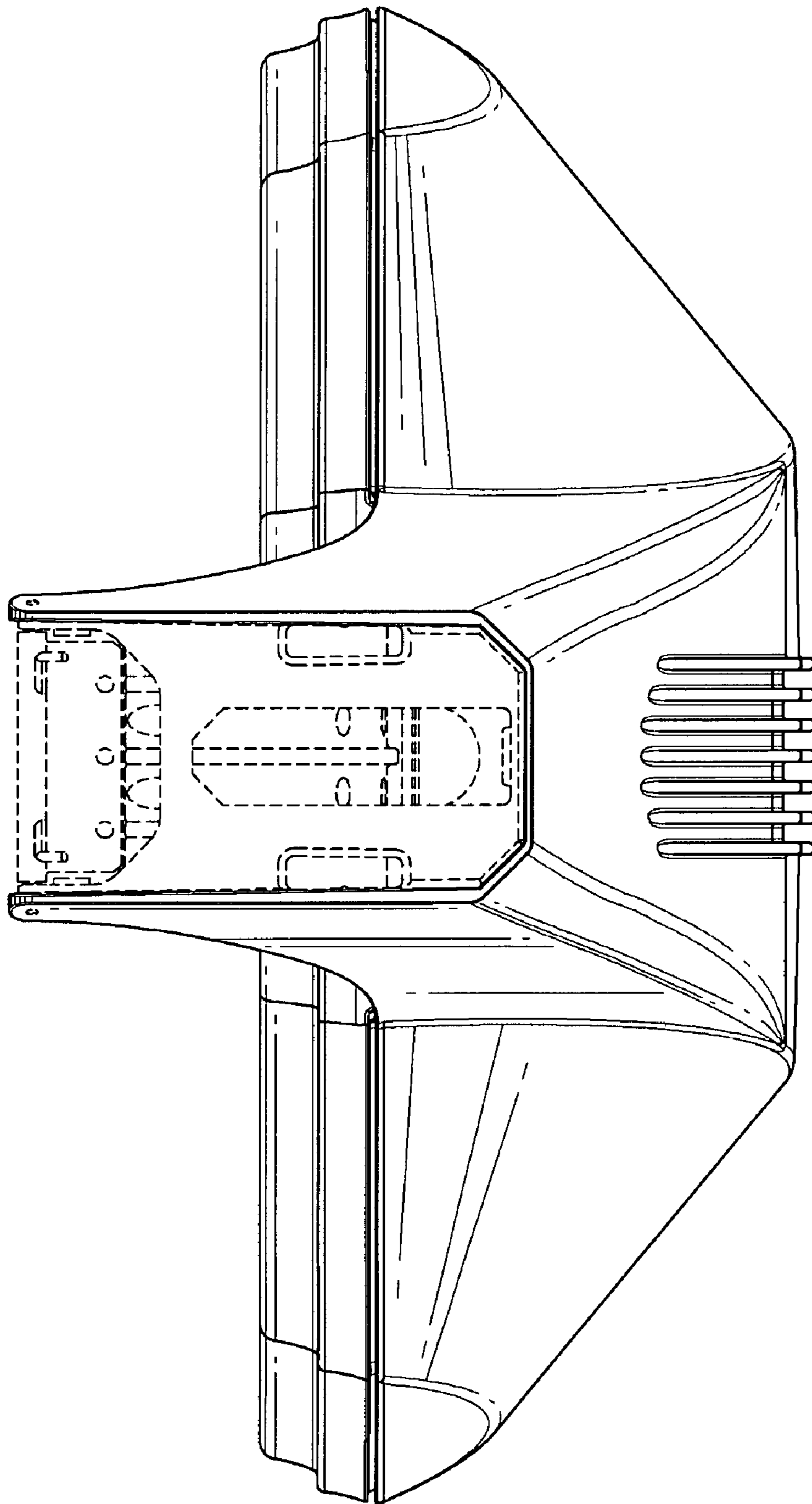


FIG. 4

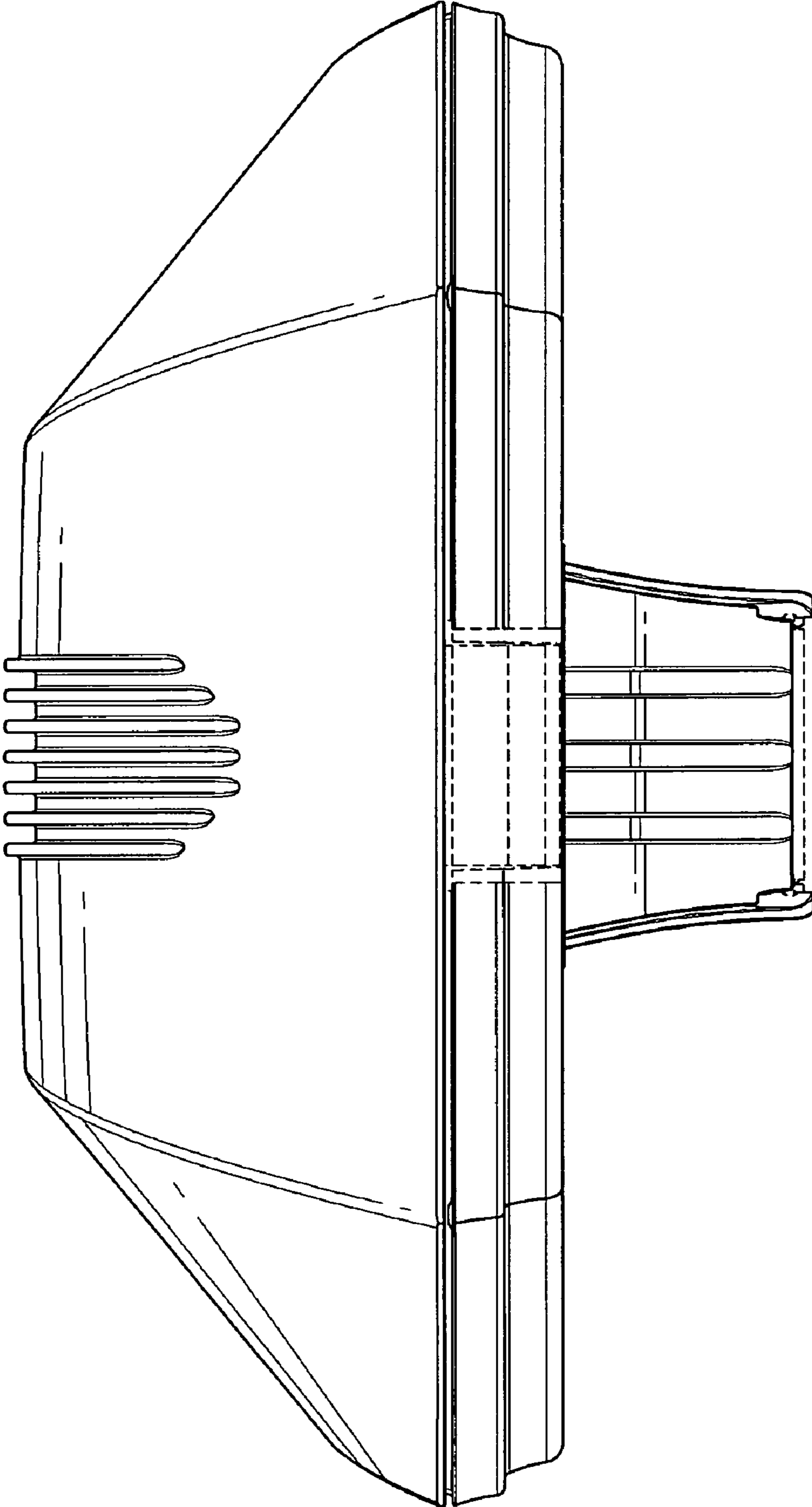


FIG. 5

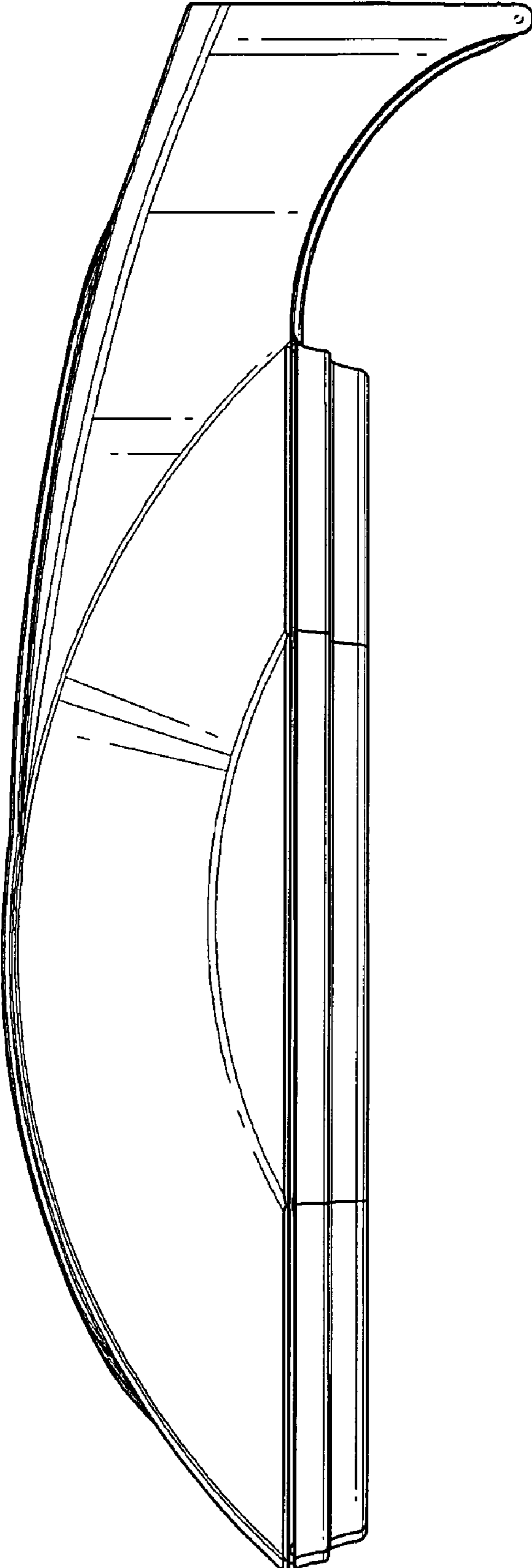


FIG. 6

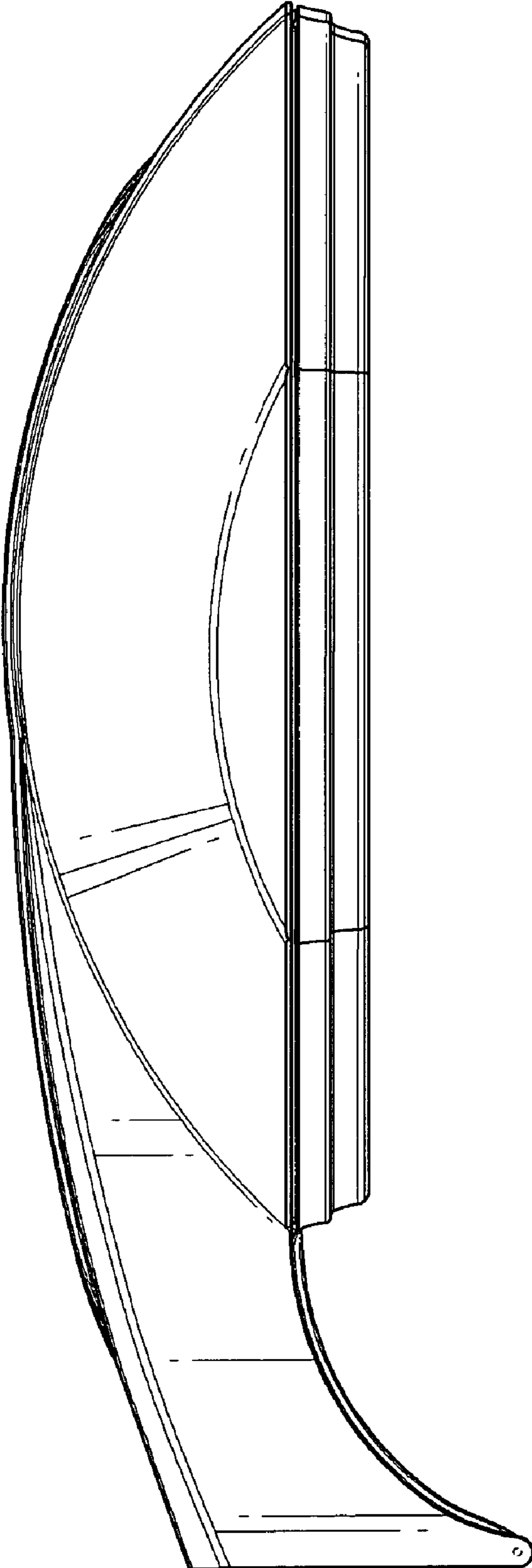


FIG. 7



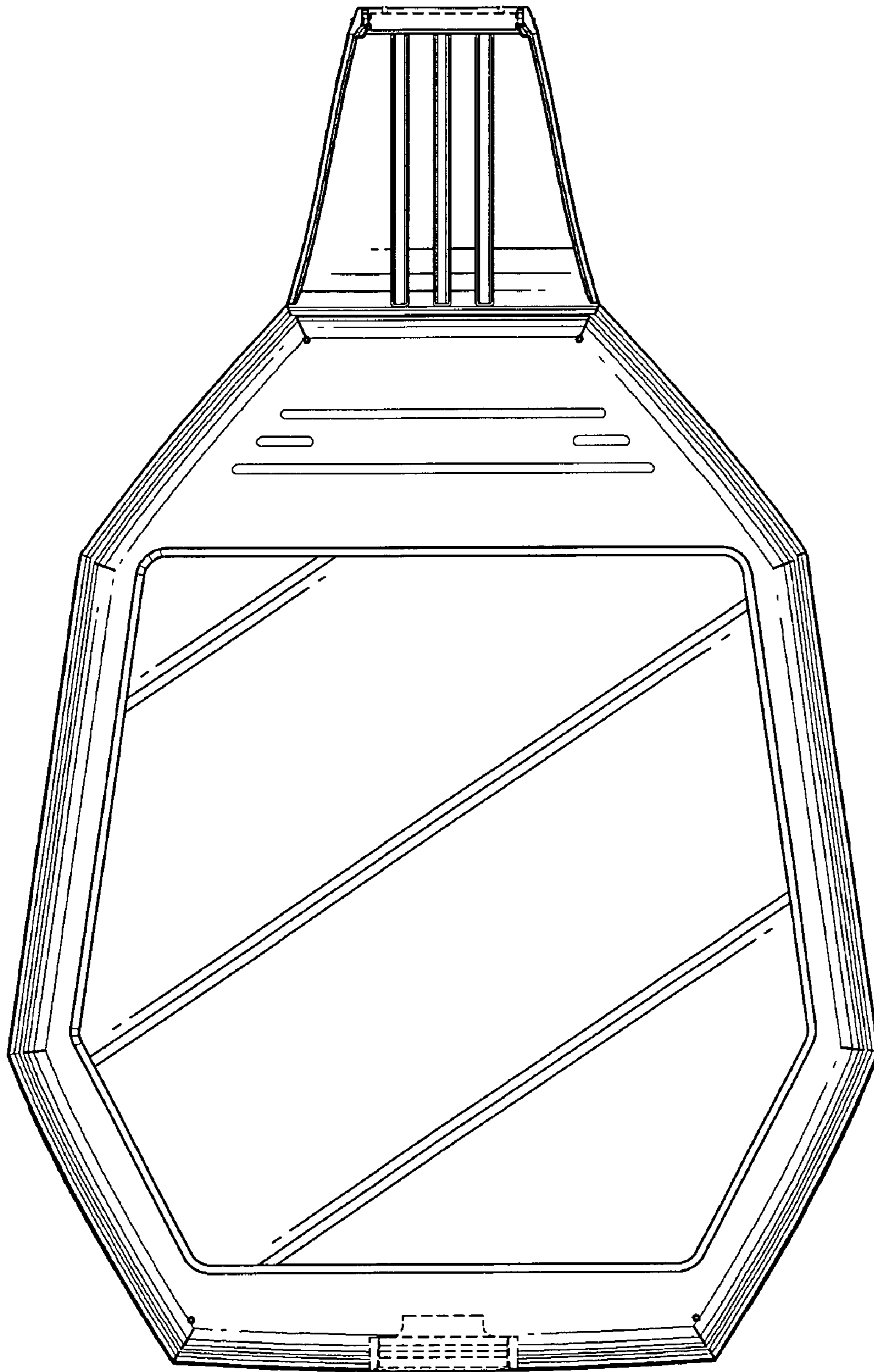


FIG. 8