

US00D570024S

(12) **United States Design Patent**
Guercio

(10) **Patent No.:** **US D570,024 S**

(45) **Date of Patent:** **** May 27, 2008**

(54) **LIGHTING FIXTURE**

D547,478 S * 7/2007 Guercio D26/63

(75) Inventor: **Vincenzo Guercio**, Wallkill, NY (US)

(73) Assignee: **RAB Lighting, Inc.**, Northvale, NJ (US)

(**) Term: **14 Years**

(21) Appl. No.: **29/277,899**

(22) Filed: **Mar. 13, 2007**

(51) **LOC (8) Cl.** **26-05**

(52) **U.S. Cl.** **D26/63**

(58) **Field of Classification Search** D26/60-67,
D26/71-72, 85; 362/147, 269, 431, 432;
174/45 R; 248/159

See application file for complete search history.

(56) **References Cited**

U.S. PATENT DOCUMENTS

2,516,270	A	*	7/1950	Swain	40/361
D226,020	S	*	1/1973	Anderson	D26/63
D290,522	S	*	6/1987	de Vos et al.	D26/63
D291,360	S	*	8/1987	De Vos et al.	D26/63
D296,829	S	*	7/1988	Peppers	D26/63
D322,135	S	*	12/1991	Wierzbicki et al.	D26/24
D357,992	S	*	5/1995	Mehaffey	D26/63
D391,382	S	*	2/1998	Rahn	D26/63
D420,458	S	*	2/2000	Guercio	D26/63
D465,050	S	*	10/2002	Crelin	D26/85
D547,477	S	*	7/2007	Guercio	D26/63

OTHER PUBLICATIONS

CENS Lighting catalog, Sep. 2005, Pollux Lighting Inc. advertisement, p. 149; product No. PL-8116, right-hand image.*

3 Photographs of Megaflood: a common design sold by RAB Lighting, Northvale, NJ since 1997.

* cited by examiner

Primary Examiner—Cathron Brooks

Assistant Examiner—Barbara Fox

(74) *Attorney, Agent, or Firm*—Baker & Daniels LLP

(57) **CLAIM**

The ornamental design for a lighting fixture, as shown and described.

DESCRIPTION

FIG. 1 is a rear perspective view of a lighting fixture showing my new design;

FIG. 2 is a front view thereof;

FIG. 3 is a rear view thereof;

FIG. 4 is a side view thereof;

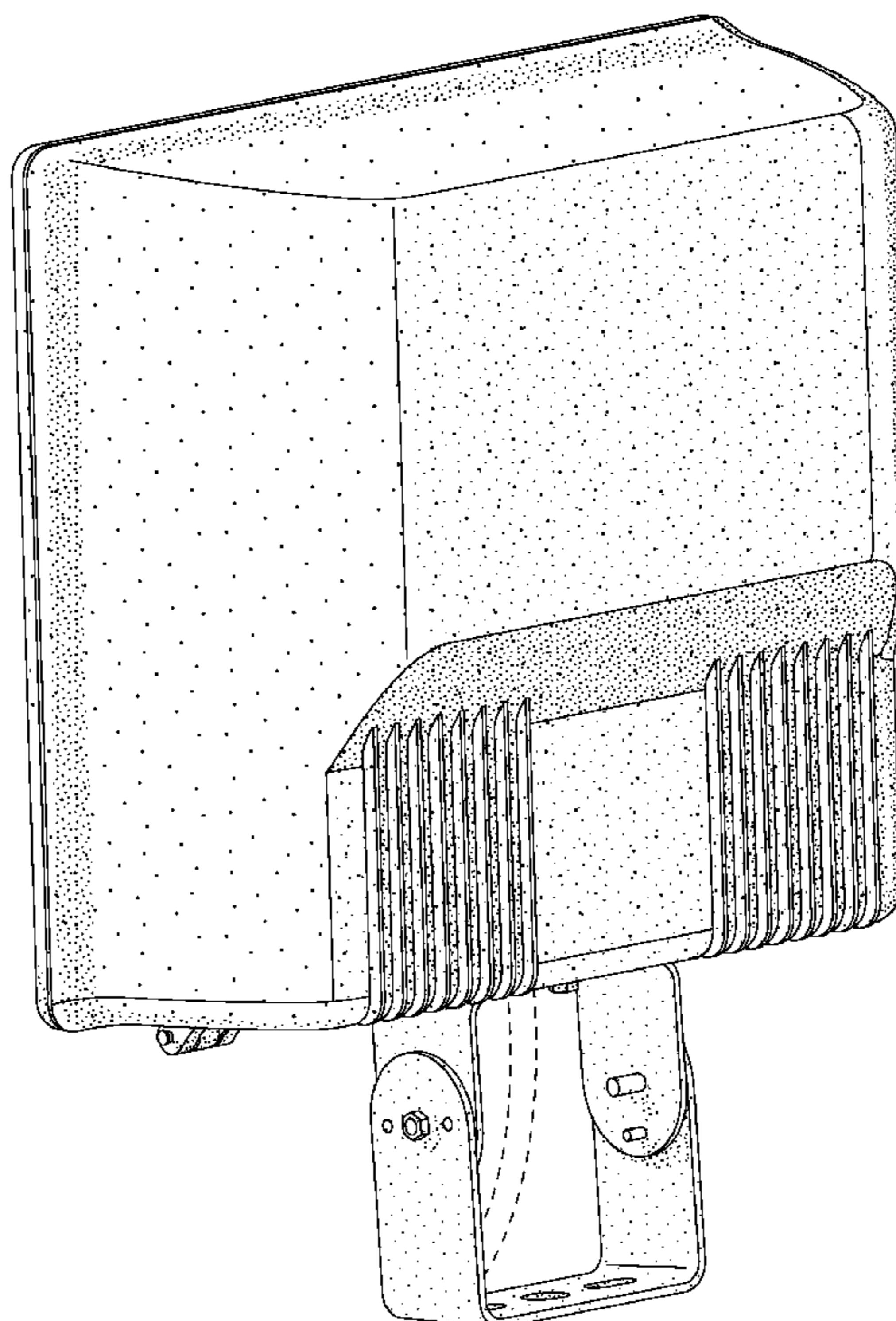
FIG. 5 is a side view thereof;

FIG. 6 is a top view thereof; and,

FIG. 7 is a bottom view thereof.

The broken lines shown in the drawings are for the purpose of illustrating portions of the lighting fixture and form no part of the claimed design.

1 Claim, 5 Drawing Sheets



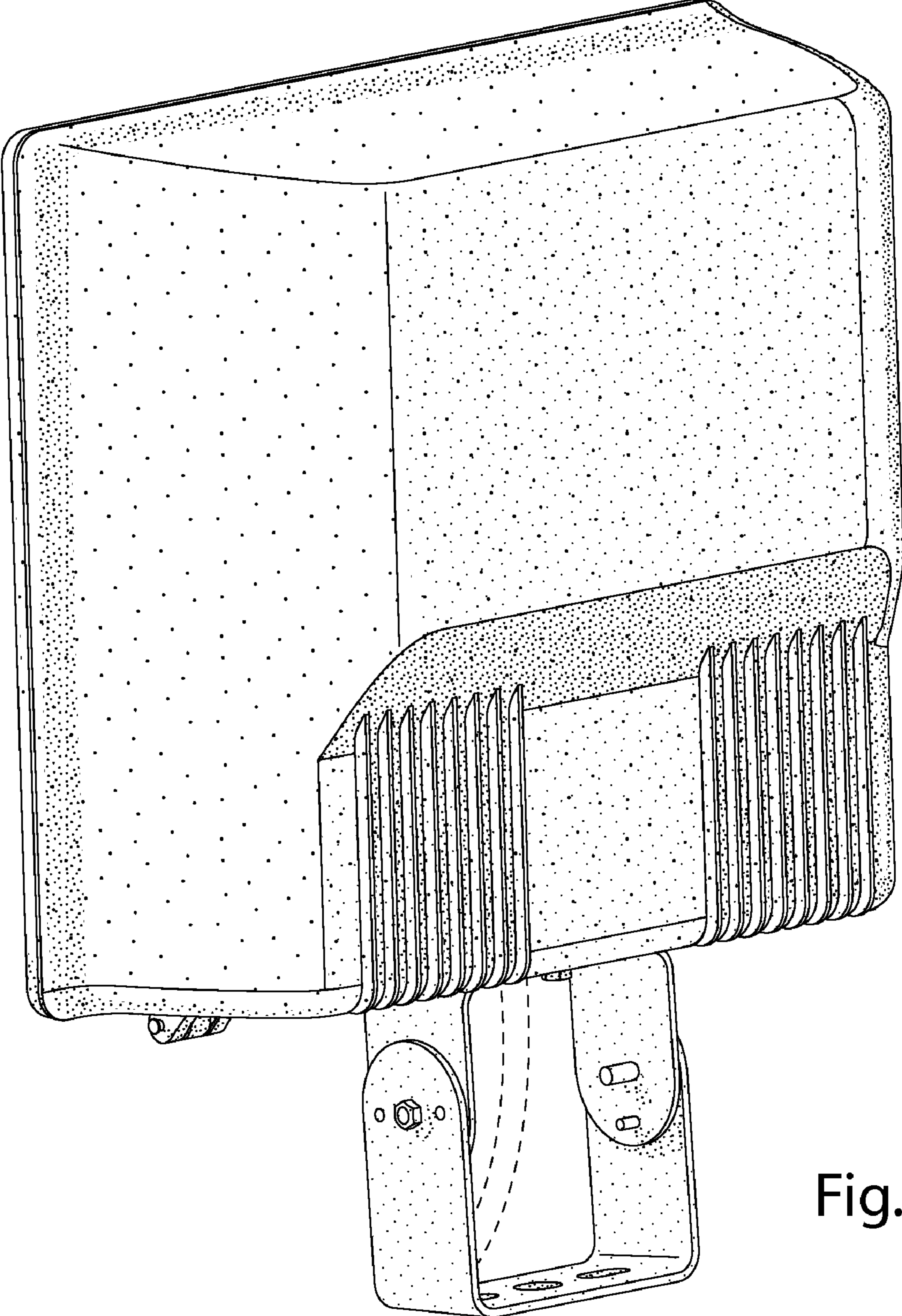


Fig. 1

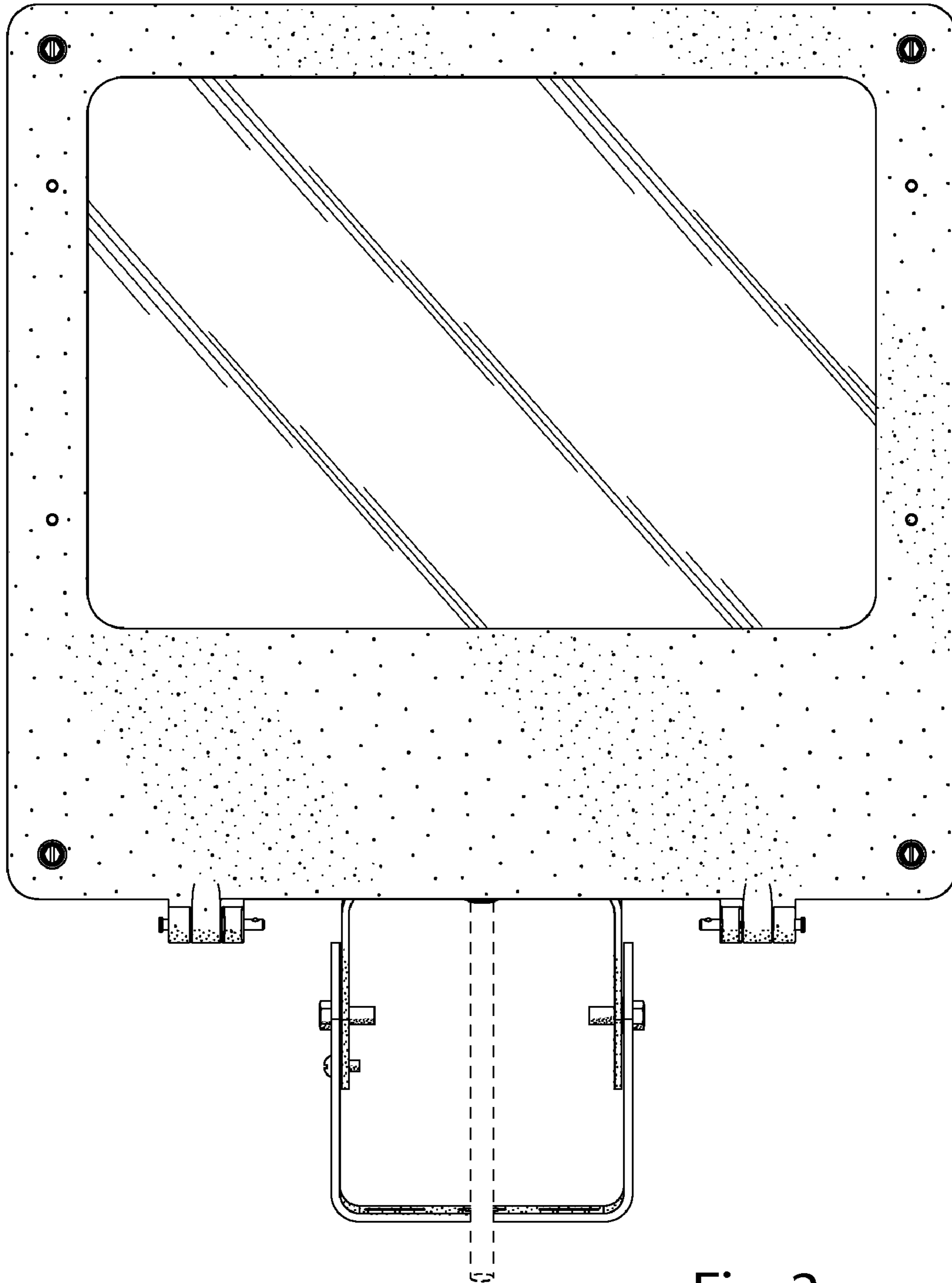


Fig. 2

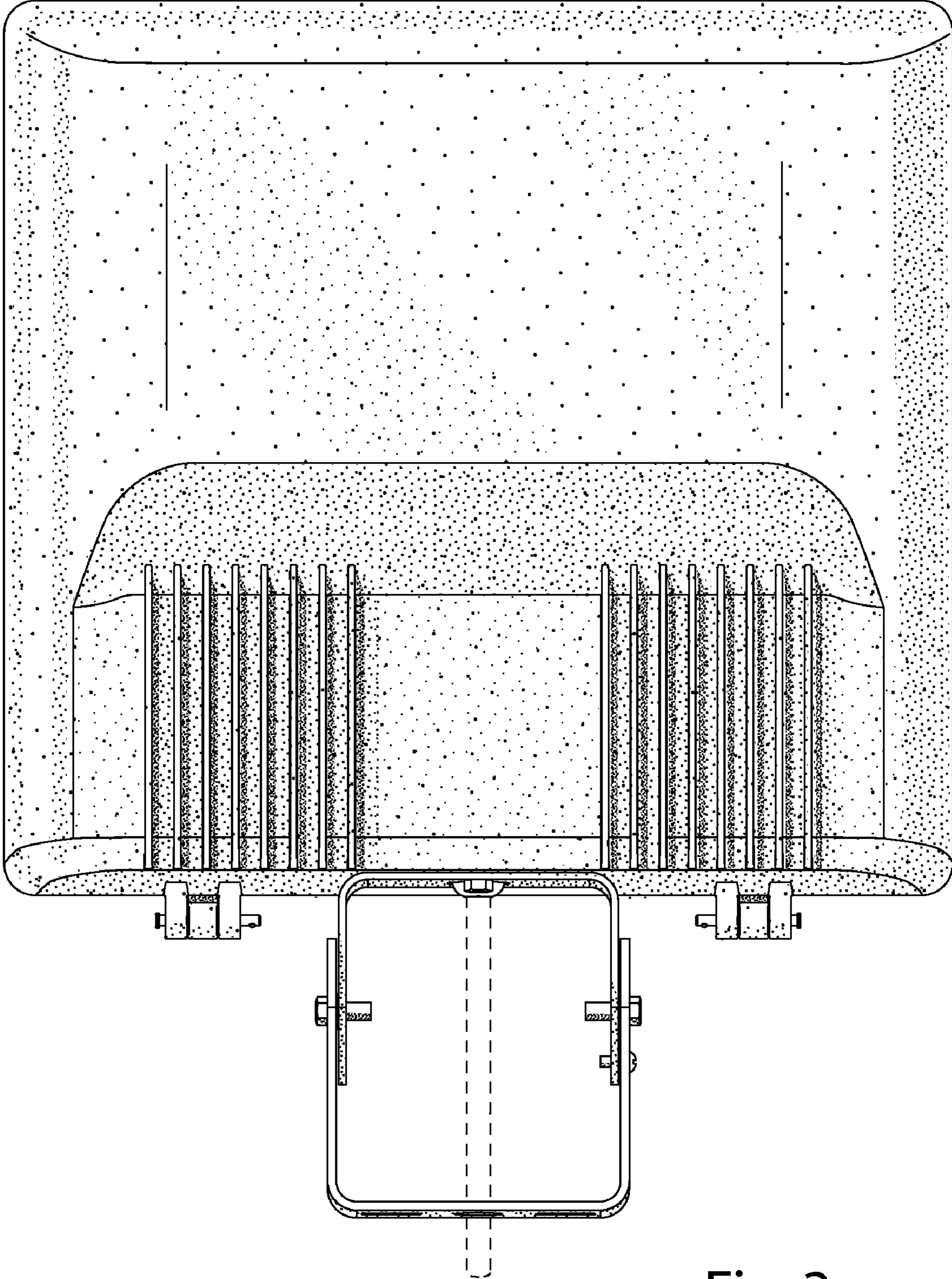


Fig. 3

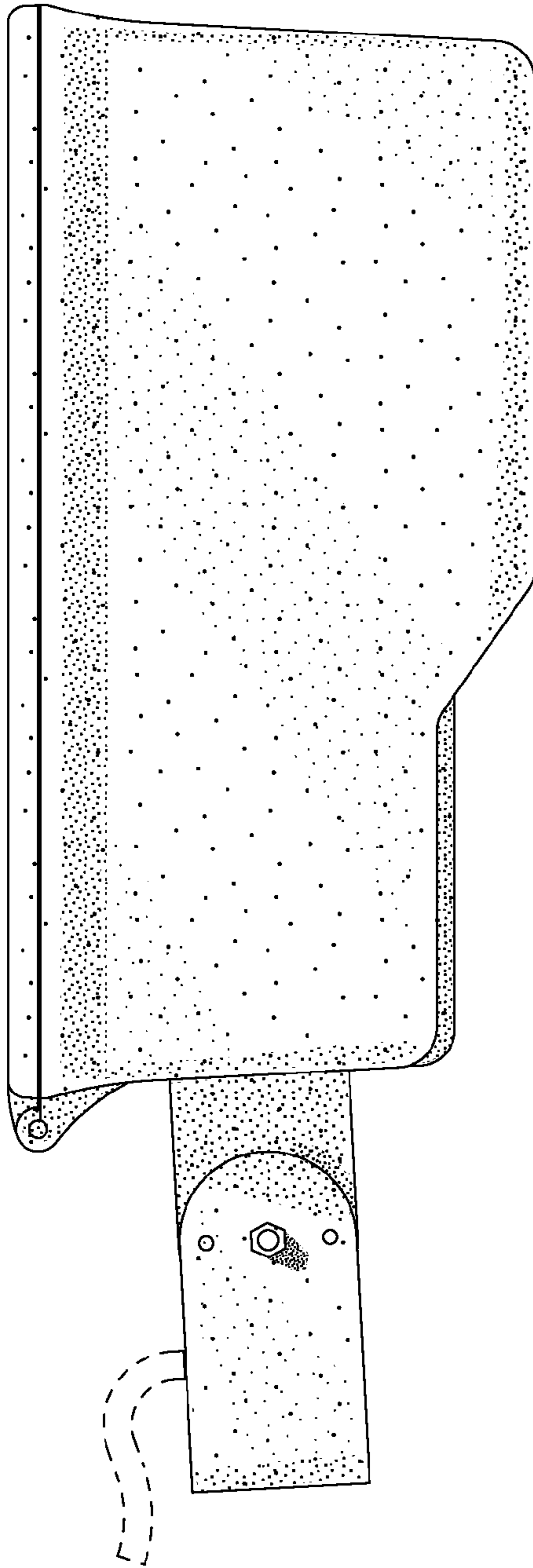


Fig. 4

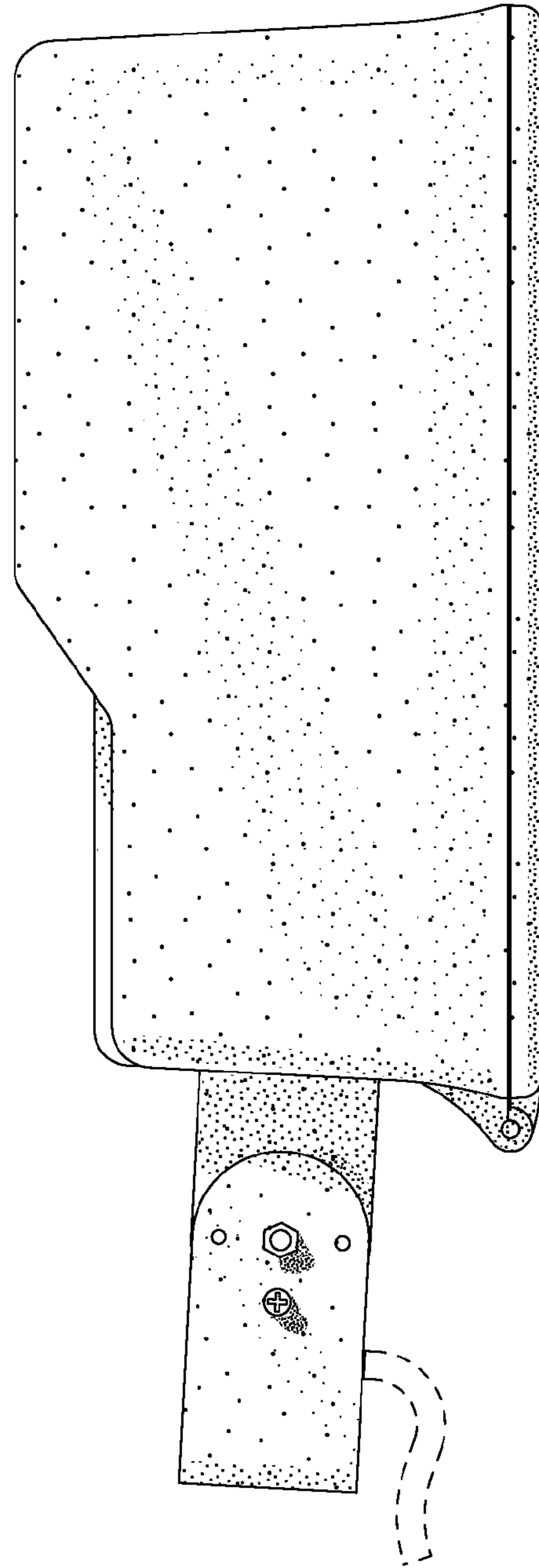


Fig. 5

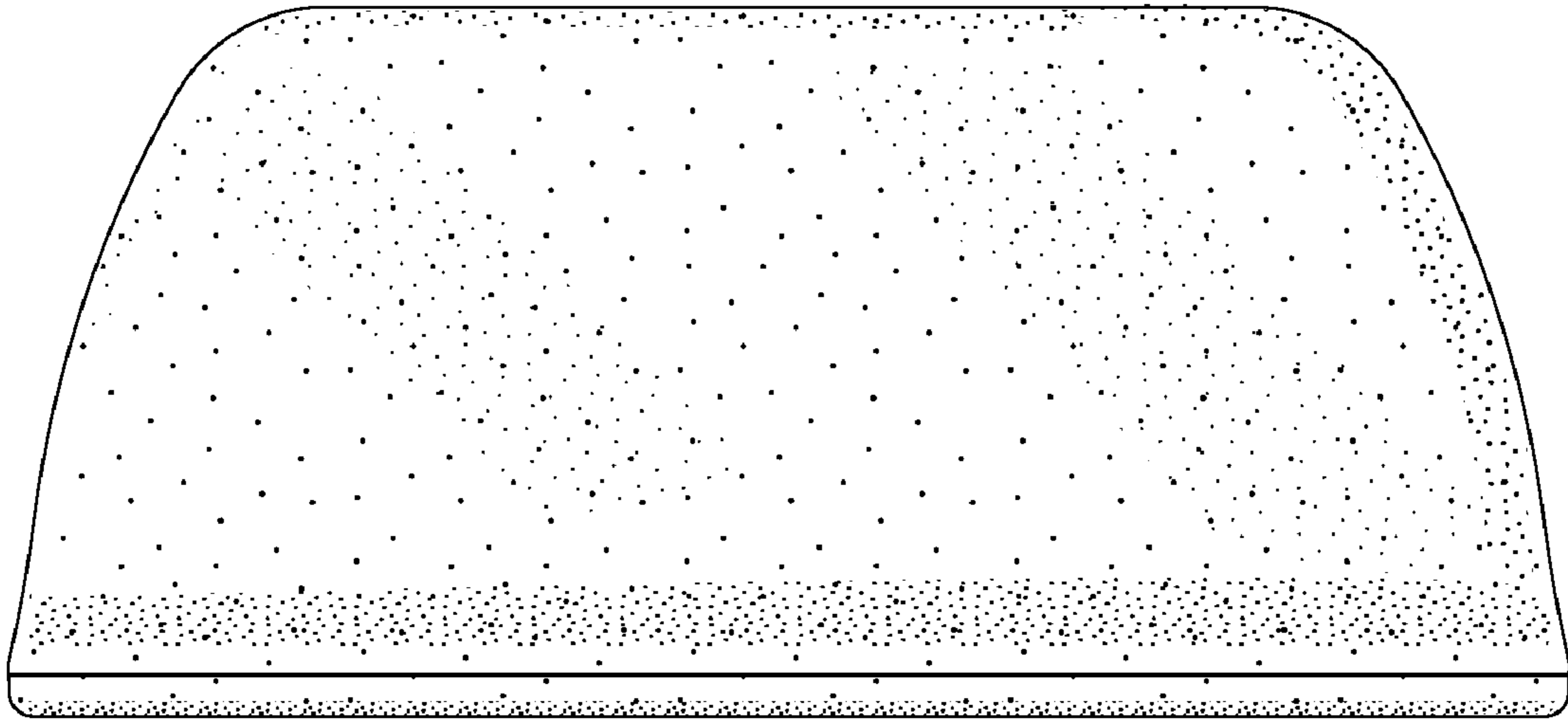


Fig. 6

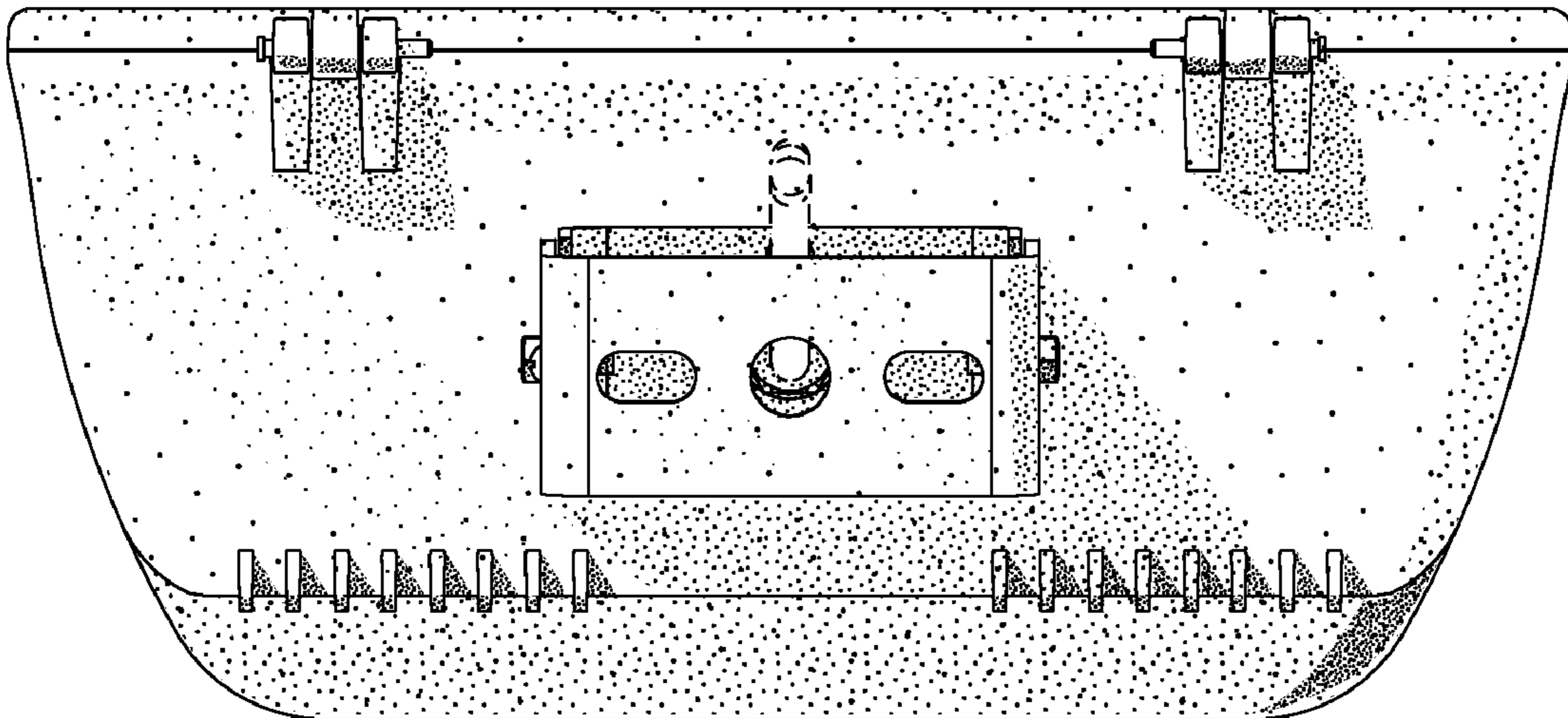


Fig. 7