



US00D570022S

(12) **United States Design Patent**  
**Ertze**

(10) **Patent No.:** **US D570,022 S**  
(45) **Date of Patent:** **\*\* May 27, 2008**

(54) **CEILING FAN LIGHT UNIT WITH A LIGHT SHADE**

(75) Inventor: **Pablo J. Ertze**, Ontario, CA (US)

(73) Assignee: **Air Cool Industrial Co., Ltd.**,  
Taichung (TW)

(\*\*) Term: **14 Years**

(21) Appl. No.: **29/291,182**

(22) Filed: **Aug. 17, 2007**

(51) **LOC (8) Cl.** ..... **26-05**

(52) **U.S. Cl.** ..... **D26/59**

(58) **Field of Classification Search** ..... D26/59,  
D26/51, 72, 81-86, 88; D23/411, 377, 379,  
D23/385; 416/5; 362/96

See application file for complete search history.

(56) **References Cited**

**U.S. PATENT DOCUMENTS**

5,508,484 A	4/1996	Chen
D396,530 S	7/1998	Tai
D404,808 S	1/1999	Tai
D404,809 S	1/1999	Tai
D405,878 S	2/1999	Tai
D408,073 S	4/1999	Tai
D408,074 S	4/1999	Tai
D408,516 S	4/1999	Tai
D409,297 S	5/1999	Tai
6,059,531 A	5/2000	Tai
6,135,618 A	10/2000	Tai
6,259,025 B1	7/2001	Tai
6,379,116 B1	4/2002	Tai
D457,947 S	5/2002	Tai
6,392,146 B1	5/2002	Tai
D458,675 S	6/2002	Tai
D478,381 S	8/2003	Tai
D483,463 S	12/2003	Tai
D483,464 S	12/2003	Tai
D483,465 S	12/2003	Tai
D483,847 S	12/2003	Tai
D483,848 S	12/2003	Tai
D483,849 S	12/2003	Tai

D483,850 S	12/2003	Tai
D484,588 S	12/2003	Tai
D484,969 S	1/2004	Tai
D485,344 S	1/2004	Tai
D485,609 S	1/2004	Tai
D485,611 S	1/2004	Tai
D485,897 S	1/2004	Tai
D489,445 S *	5/2004	Burns ..... D23/411
D489,471 S *	5/2004	Huang ..... D26/59
D490,888 S	6/2004	Tai
D494,705 S	8/2004	Tai
D501,578 S	2/2005	Tai
D503,472 S	3/2005	Tai

(Continued)

*Primary Examiner*—Lisa Lichtenstein

(74) *Attorney, Agent, or Firm*—Morrison & Foerster LLP

(57) **CLAIM**

The ornamental design for a ceiling fan light unit with light shade, as shown and described.

**DESCRIPTION**

FIG. 1 is a perspective view of a ceiling fan light unit with light shade shown in use;

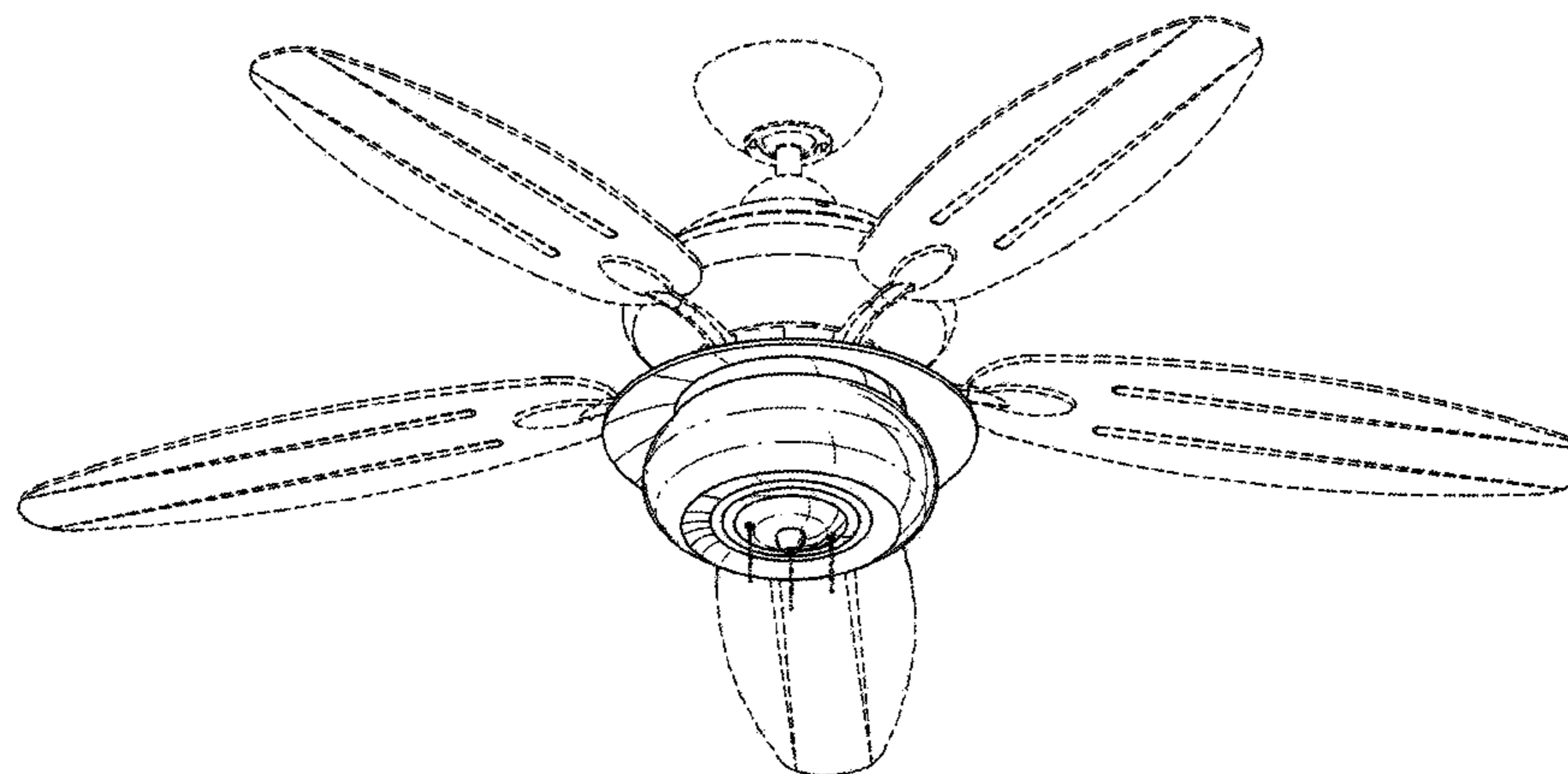
FIG. 2 is a greatly enlarged side view of a light unit with light shade in accordance with the present invention;

FIG. 3 is an enlarged perspective view of the light unit with light shade in accordance with the present invention; and,

FIG. 4 is an enlarged bottom view of the light unit with light shade in accordance with the present invention.

The broken line showing of a ceiling fan and of the pull chains is included for the purpose of illustrating environmental structure and forms no part of the claimed design.

**1 Claim, 4 Drawing Sheets**



# US D570,022 S

Page 2

---

## U.S. PATENT DOCUMENTS

D503,473 S	3/2005	Tai	D533,267 S	12/2006	Pan
D503,474 S	3/2005	Tai	D536,466 S	2/2007	Pan
D503,475 S	3/2005	Tai	D539,896 S	4/2007	Pan
D503,476 S	3/2005	Tai	D541,409 S	4/2007	Ertze
D503,795 S	4/2005	Tai	D541,410 S	4/2007	Ertze
D504,173 S	4/2005	Cohen	D543,268 S	5/2007	Ertze
D505,197 S	5/2005	Tai	D543,302 S	5/2007	Ertze
D505,724 S	5/2005	Tai	D545,422 S	6/2007	Glasbrenner
D507,644 S	7/2005	Tai	D546,439 S	7/2007	Glasbrenner
D507,830 S	7/2005	Pan	D546,936 S	7/2007	Ertze
D530,811 S	10/2006	Ertze	D547,435 S	7/2007	Lee
D531,722 S	11/2006	Ertze	D547,857 S	7/2007	Lee
D532,901 S	11/2006	Ertze			

\* cited by examiner

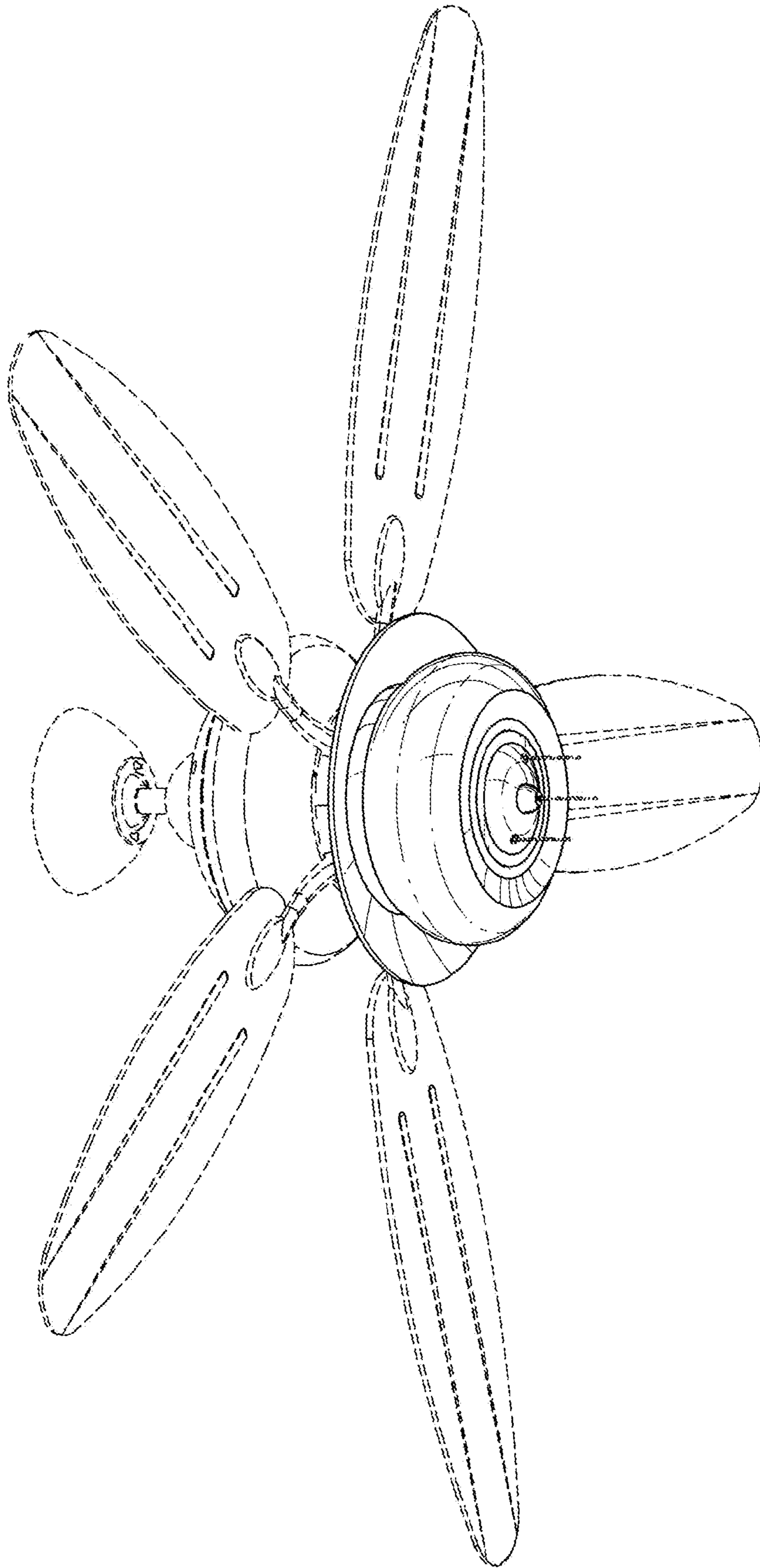


FIG. 1

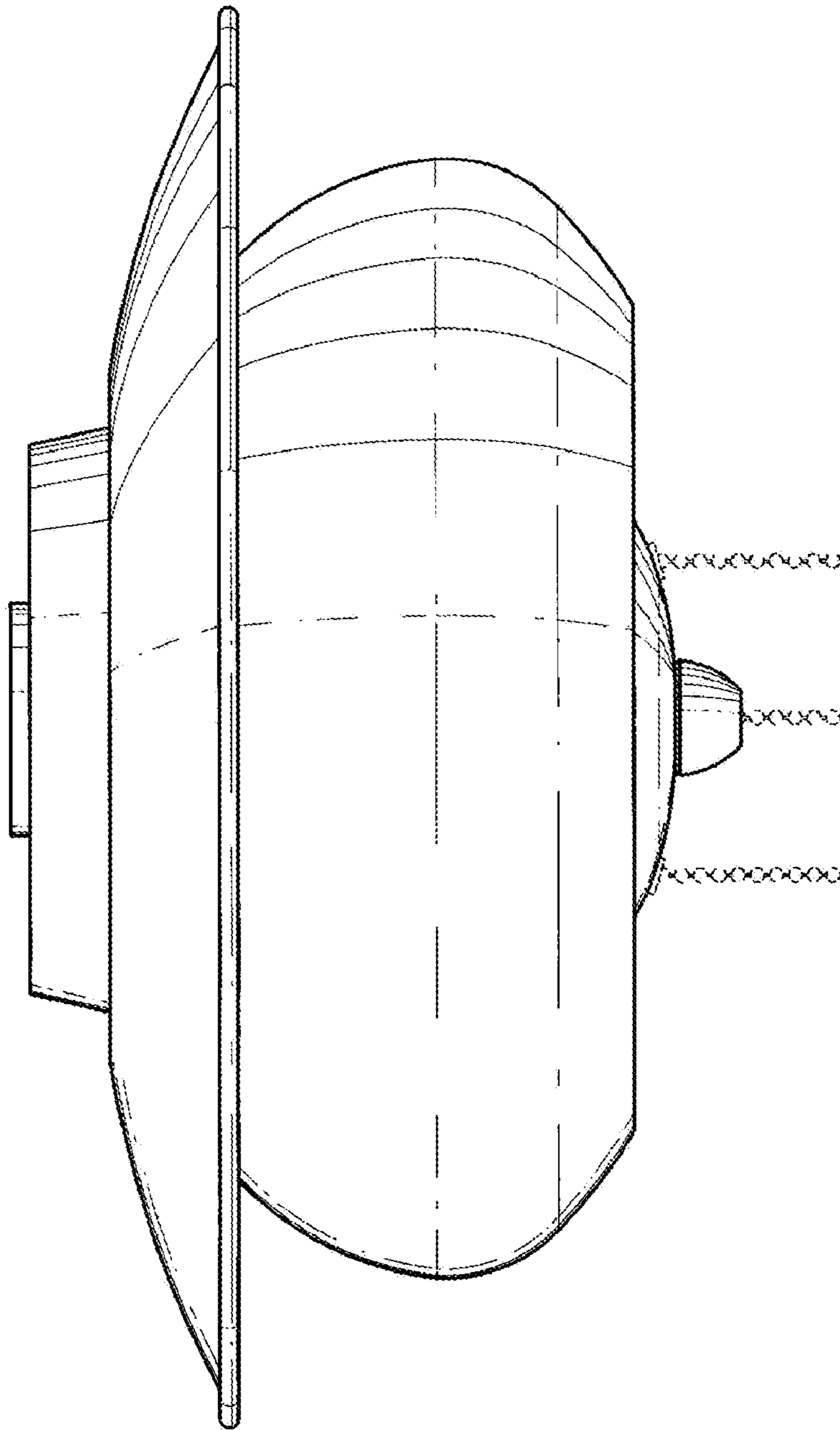


FIG. 2

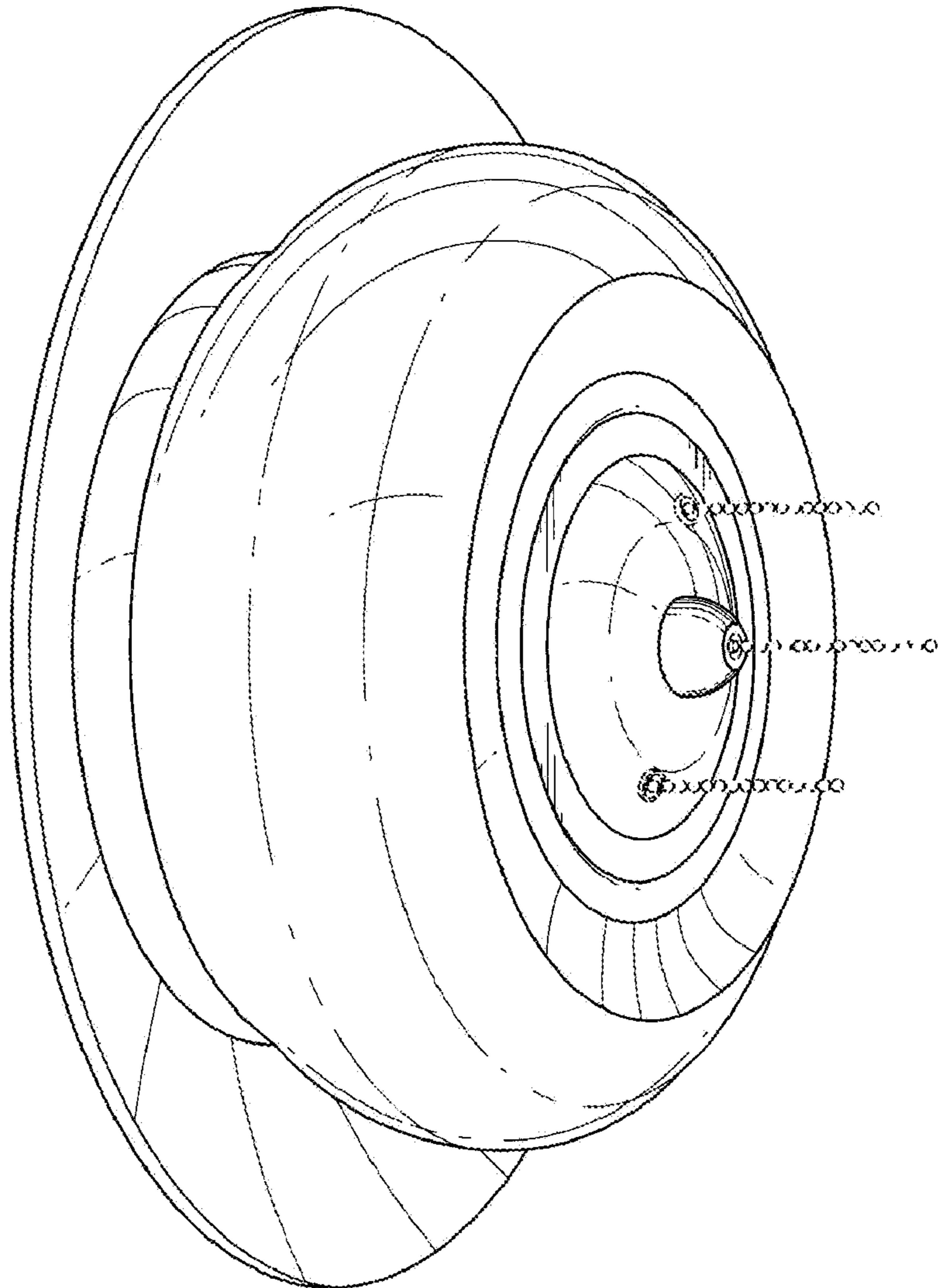


FIG. 3

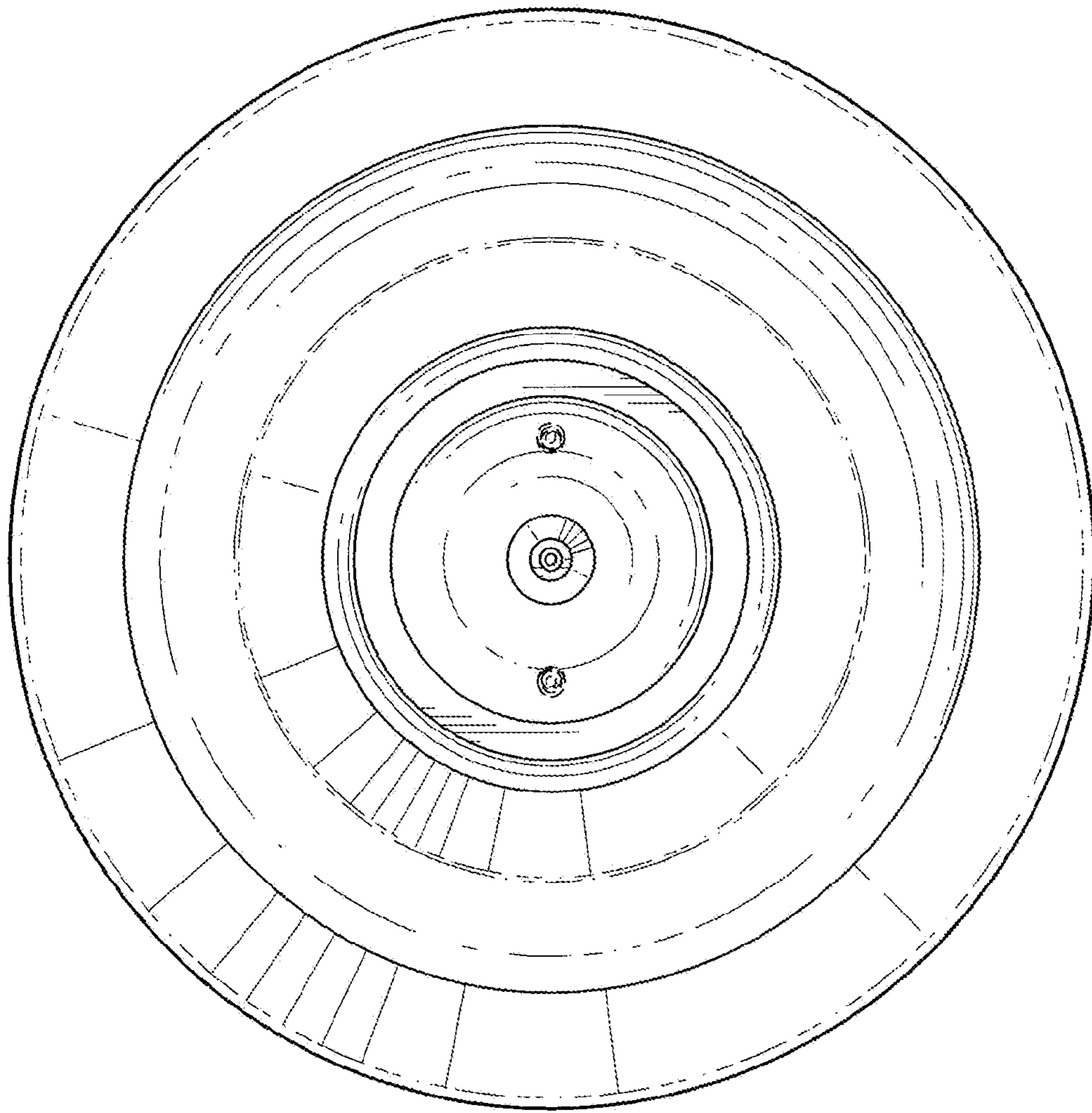


FIG. 4