



US00D570021S

(12) **United States Design Patent**
Xu

(10) **Patent No.:** **US D570,021 S**

(45) **Date of Patent:** **** May 27, 2008**

(54) **HEADLAMP**

Primary Examiner—Marcus A. Jackson

(76) **Inventor:** **Changchun Xu**, Unit 105, Block 11,
Jinsha Garden, Futian District,
Shenzhen, Guangdong Province (CN)

(57) **CLAIM**

The ornamental design for a headlamp, as shown and described.

(**) **Term:** **14 Years**

(21) **Appl. No.:** **29/249,581**

DESCRIPTION

(22) **Filed:** **Oct. 13, 2006**

(51) **LOC (8) Cl.** **26-02**

(52) **U.S. Cl.** **D26/39**

(58) **Field of Classification Search** D26/28-36;
362/459-468, 475-478, 485-487

See application file for complete search history.

The claimed headlamp is a light with a reflector and lens mounted on the front of a locomotive, automobile, or other vehicle.

FIG. 1 is a front elevational view of a headlamp showing my new design;

FIG. 2 is a rear elevational view thereof;

FIG. 3 is a right side view thereof;

FIG. 4 is a left side view thereof;

FIG. 5 is a top plan view thereof;

FIG. 6 is a bottom plan view thereof; and,

FIG. 7 is a perspective view thereof.

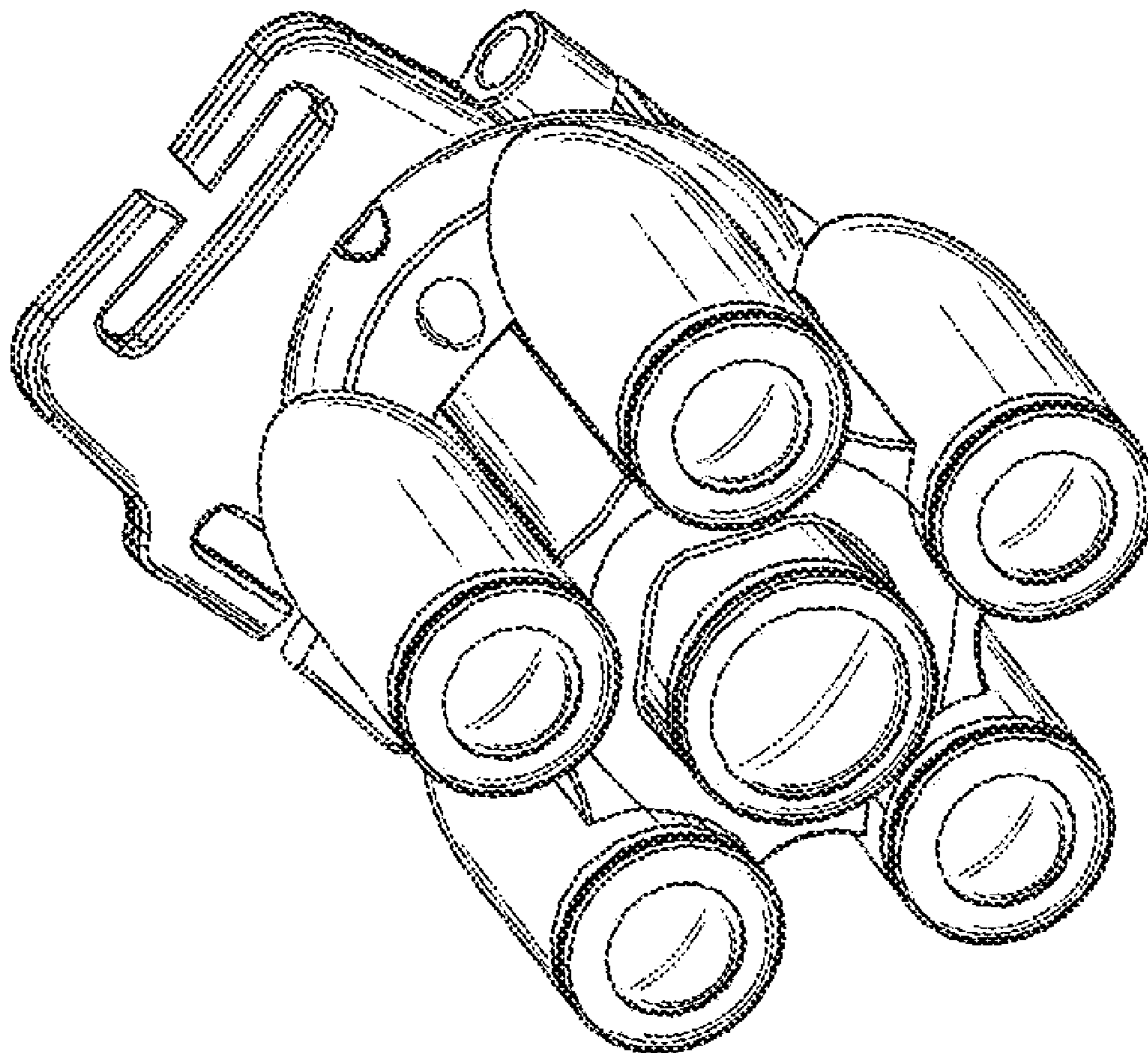
(56) **References Cited**

U.S. PATENT DOCUMENTS

D520,656 S *	5/2006	Shiu	D26/28
D553,277 S *	10/2007	Ho et al.	D26/39
D555,265 S *	11/2007	Shiu	D26/39
D556,927 S *	12/2007	Shiu	D26/39

* cited by examiner

1 Claim, 4 Drawing Sheets



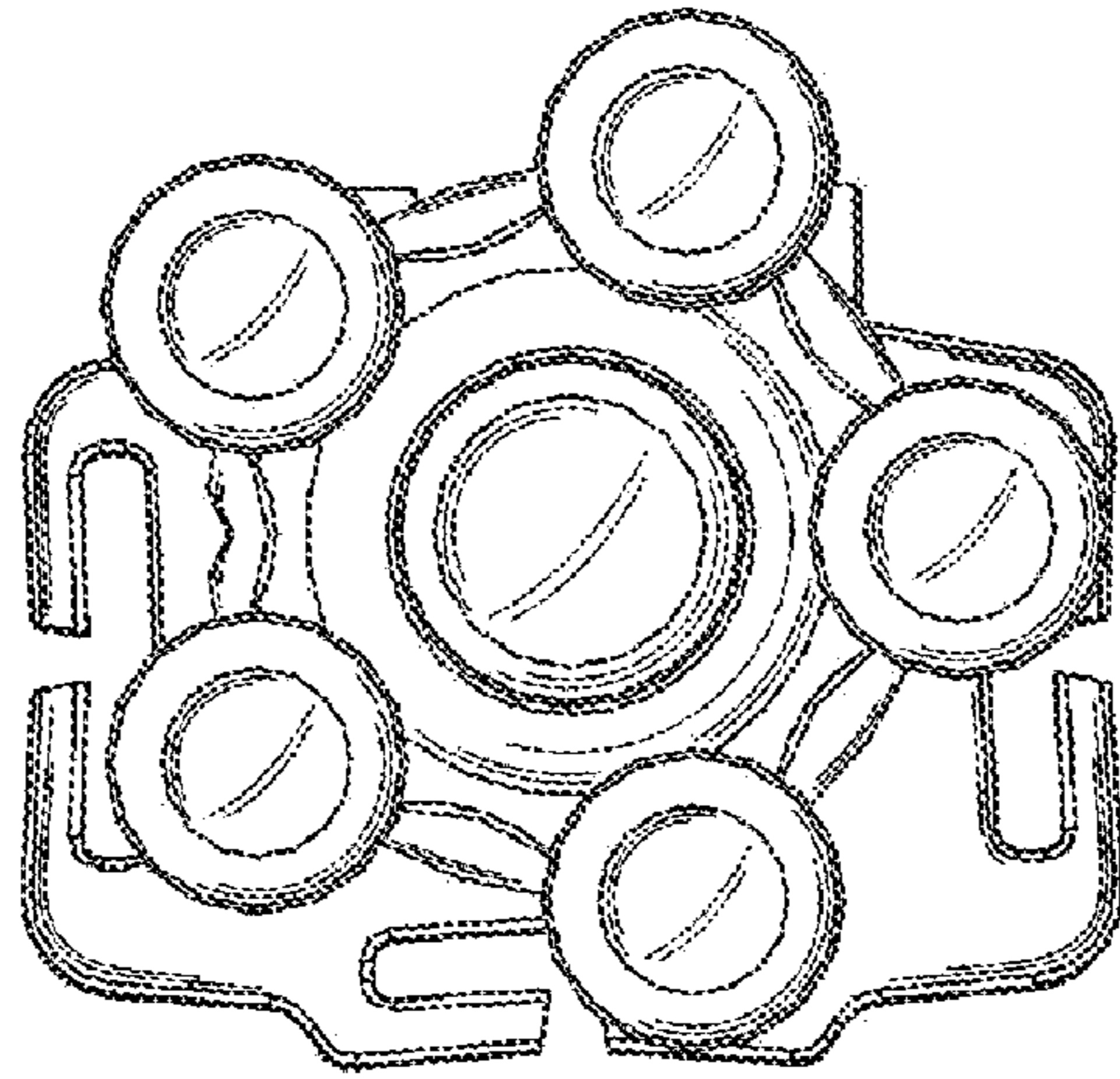


FIG. 1

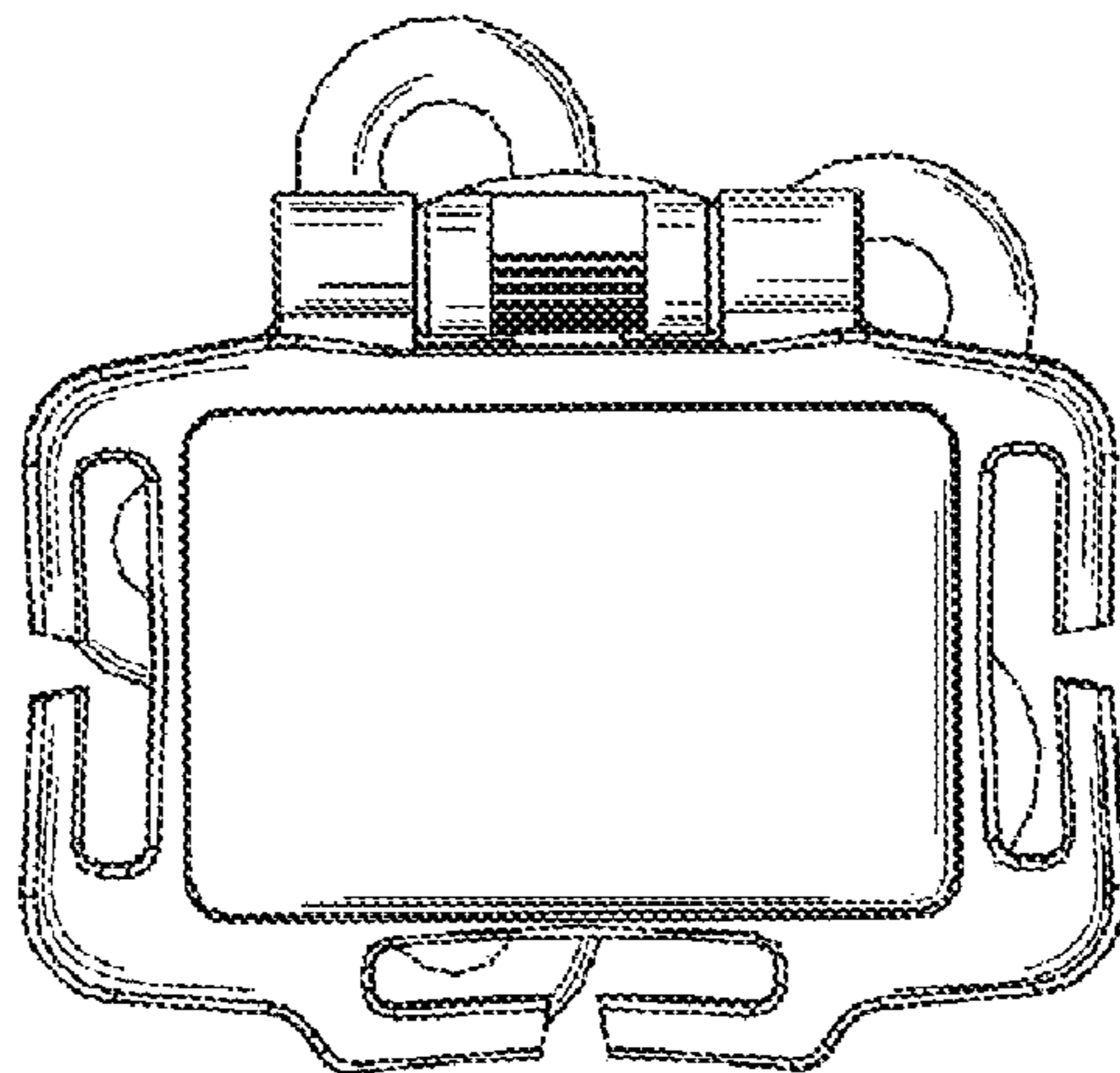


FIG. 2

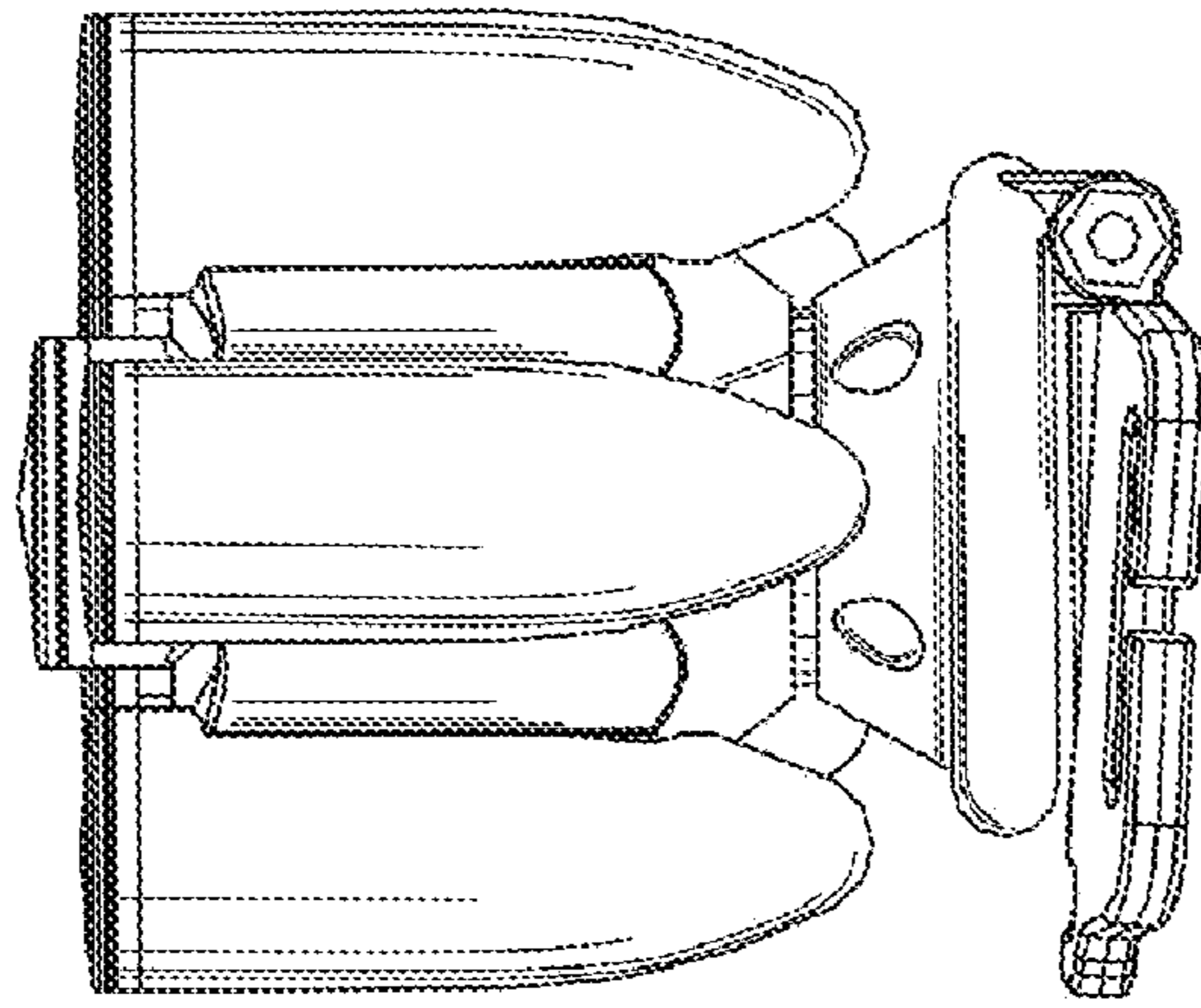


FIG. 3

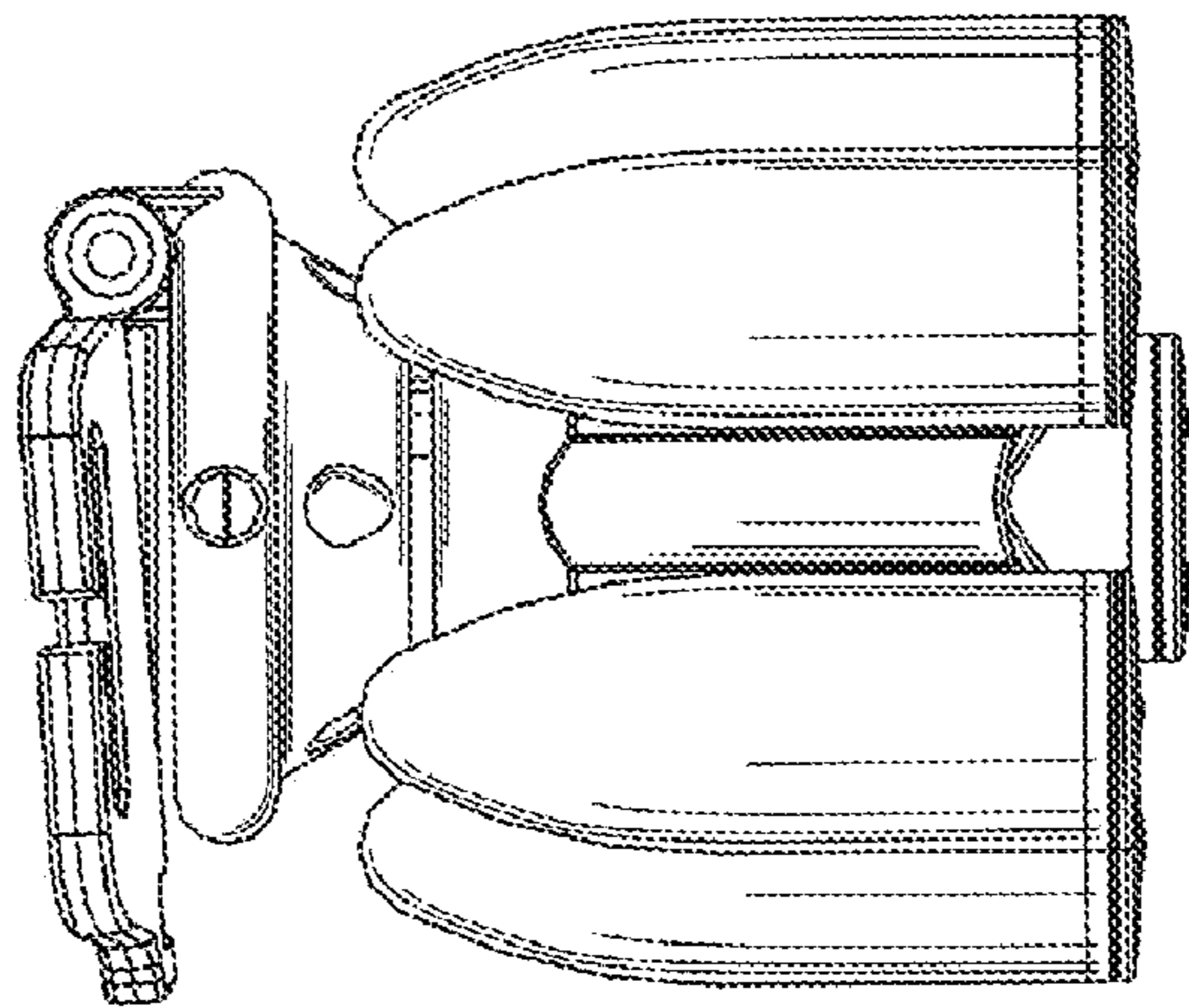


FIG. 4

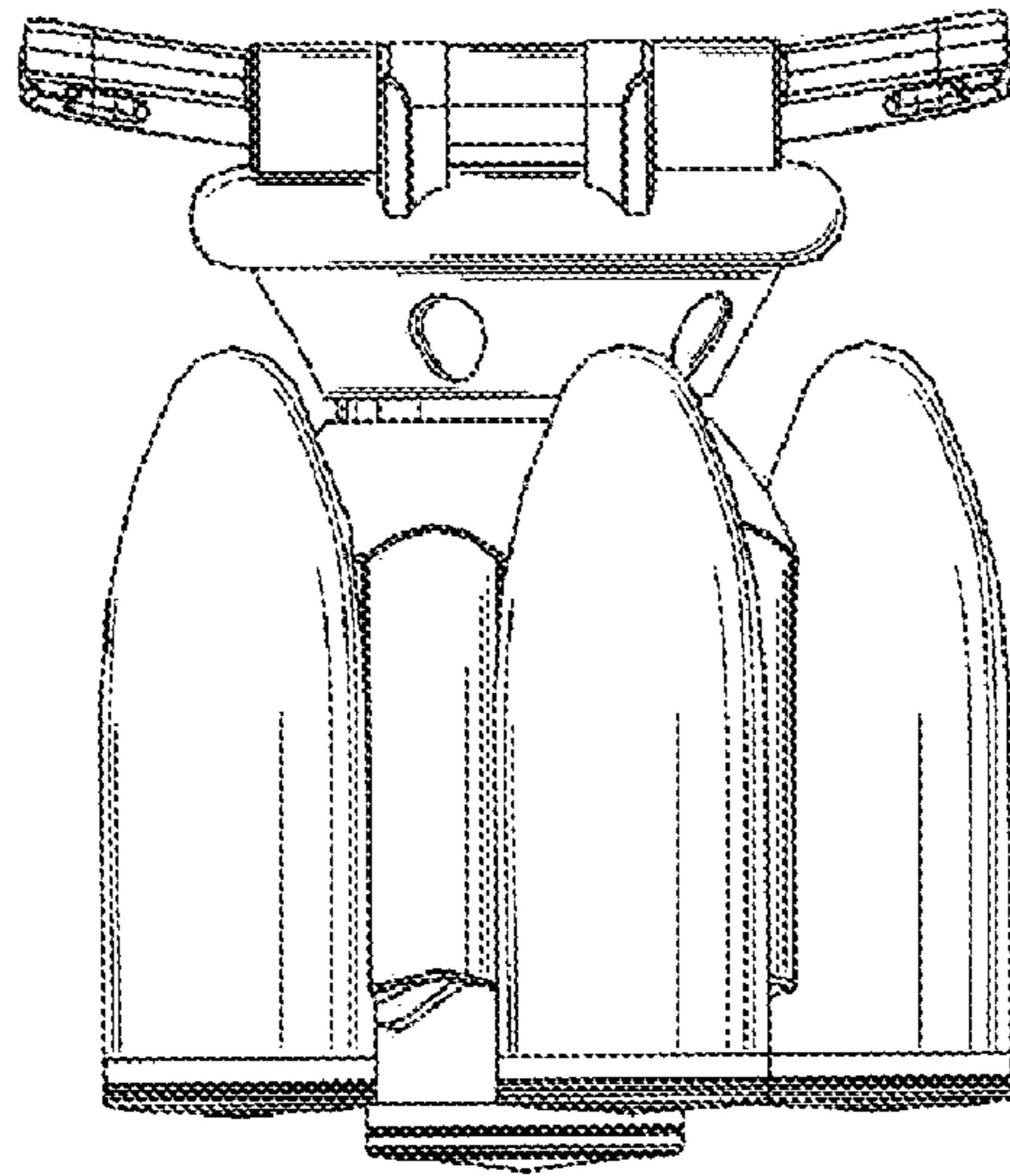


FIG. 5

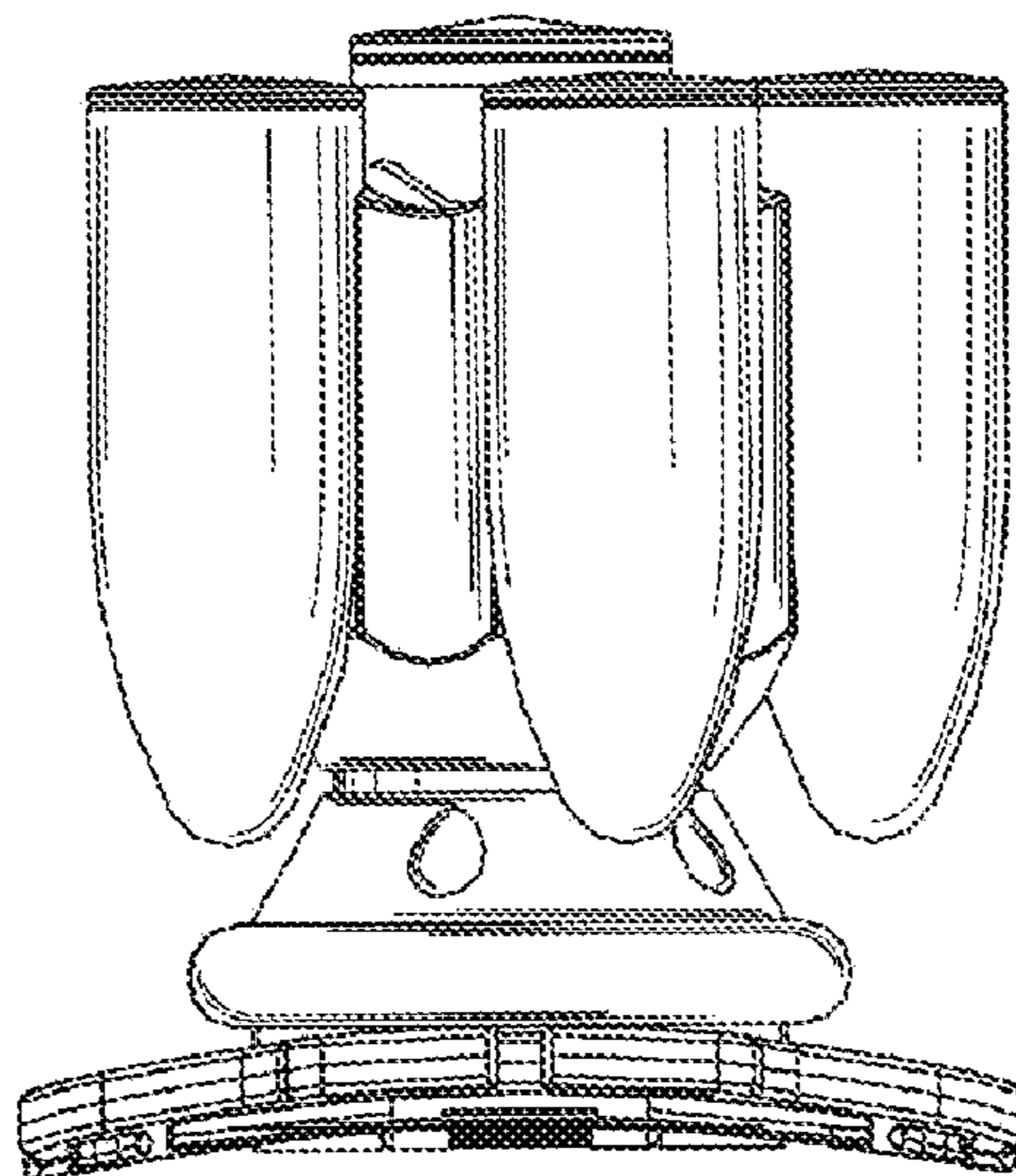


FIG. 6

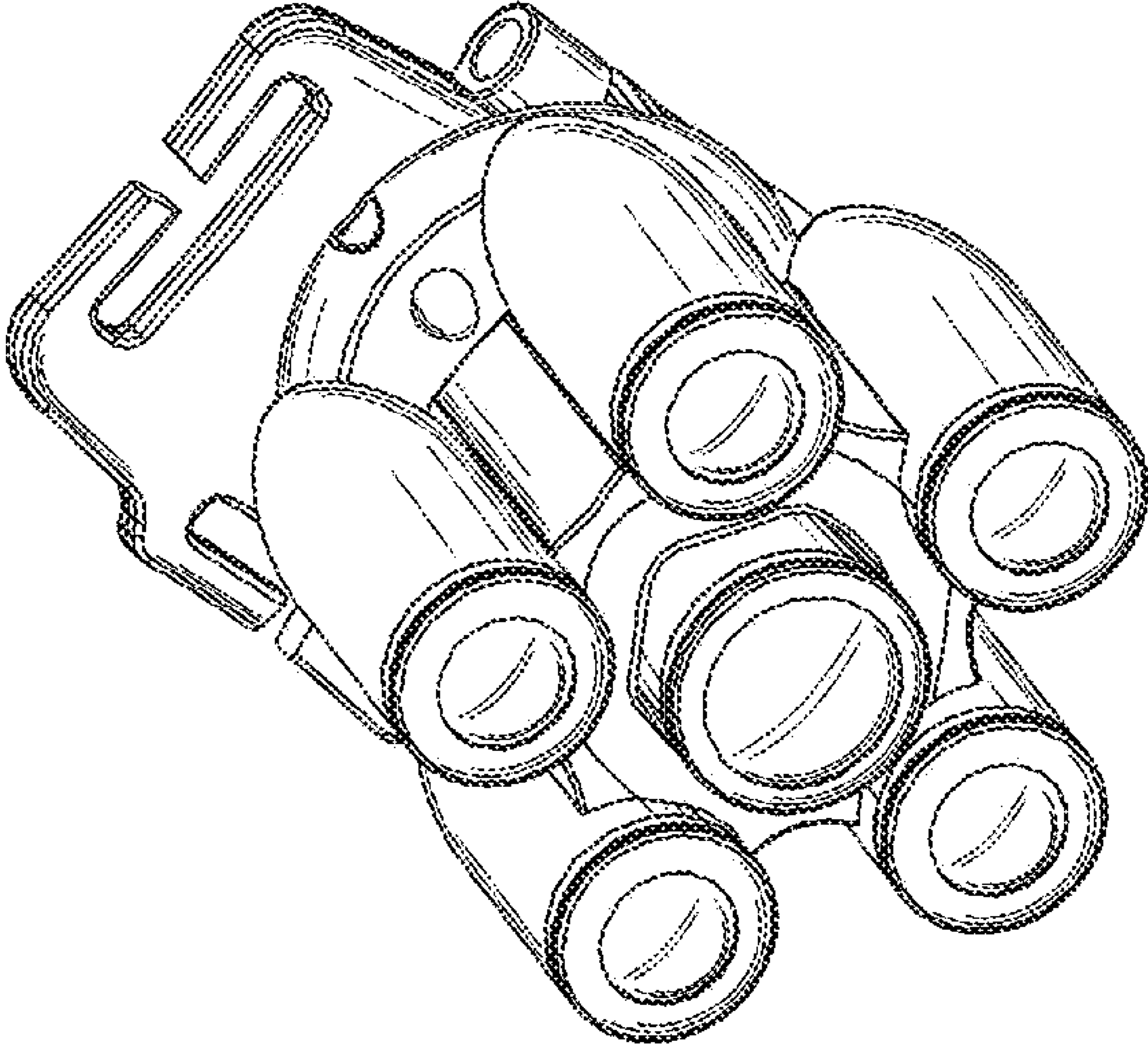


FIG. 7