



US00D570019S

(12) **United States Design Patent**
Lee

(10) **Patent No.:** **US D570,019 S**

(45) **Date of Patent:** **** May 27, 2008**

(54) **FLASHLIGHT**

(74) *Attorney, Agent, or Firm*—Banger Shia

(76) **Inventor:** **Wen-Sung Lee**, No. 72, Chaoguei Rd.,
Situn District, Taichung City 407 (TW)

(57) **CLAIM**

I claim the ornamental design for a flashlight, as shown and described.

(**) **Term:** **14 Years**

(21) **Appl. No.:** **29/298,001**

(22) **Filed:** **Nov. 26, 2007**

DESCRIPTION

(51) **LOC (8) Cl.** **26-02**

FIG. 1 is a perspective view of a flashlight, showing my new design;

(52) **U.S. Cl.** **D26/37**

FIG. 2 is a front elevational view thereof;

(58) **Field of Classification Search** D26/37–50;
362/157, 158, 171–174, 183–208

FIG. 3 is a rear elevational view thereof;

See application file for complete search history.

FIG. 4 is a left side elevational view thereof;

(56) **References Cited**

FIG. 5 is a right side elevational view thereof;

U.S. PATENT DOCUMENTS

FIG. 6 is a top plan view thereof; and

D548,721 S * 8/2007 Lee D14/188

FIG. 7 is a bottom plan view thereof; and,

D549,371 S * 8/2007 Lee D26/37

FIG. 8 is a perspective view showing the claimed design in an open position. The broken line showing of the handle is included for the purpose of illustrating the claimed design and forms no part of the claimed design.

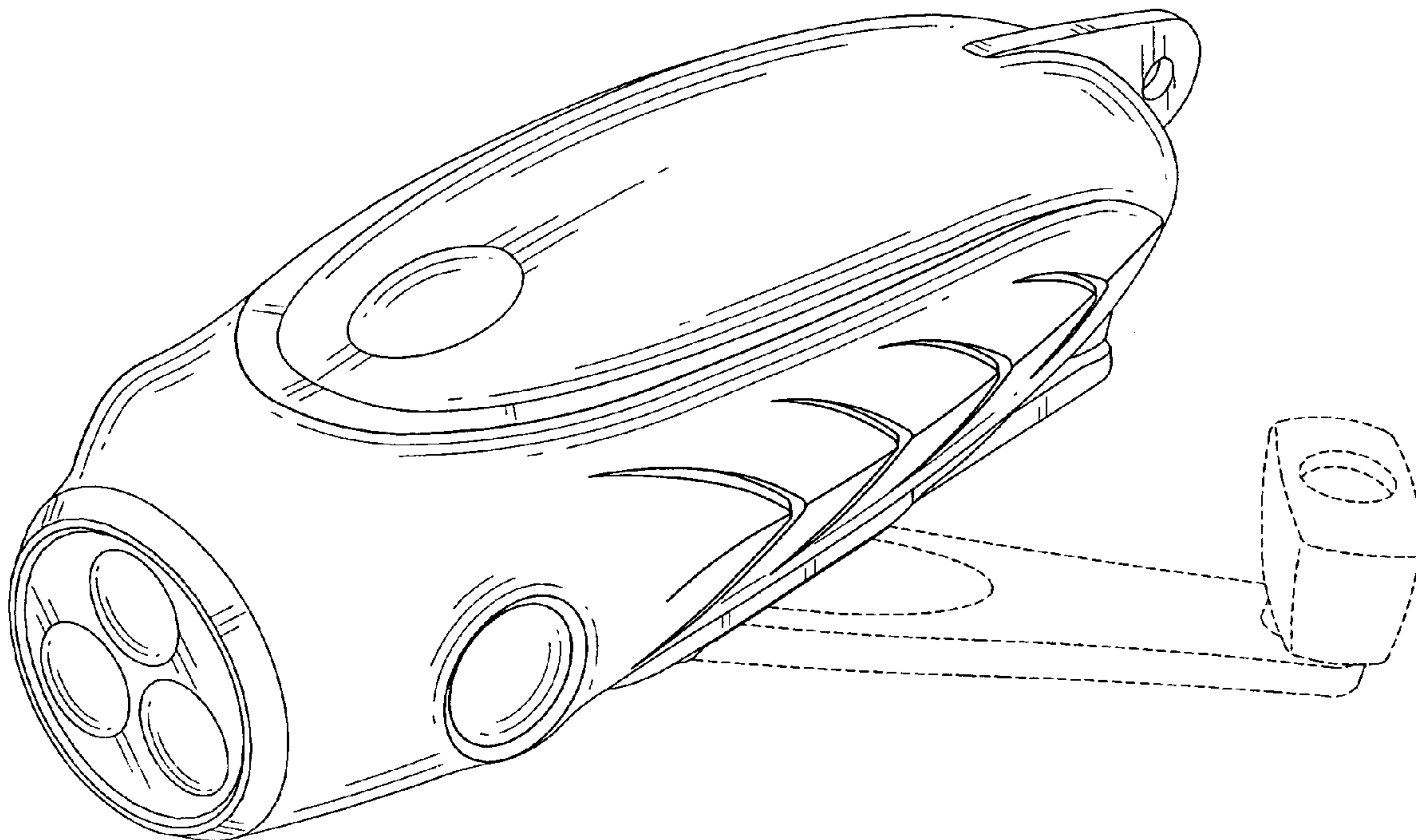
D550,153 S * 9/2007 Lee D13/108

D557,841 S * 12/2007 Lee D26/37

* cited by examiner

Primary Examiner—Marcus A. Jackson

1 Claim, 7 Drawing Sheets



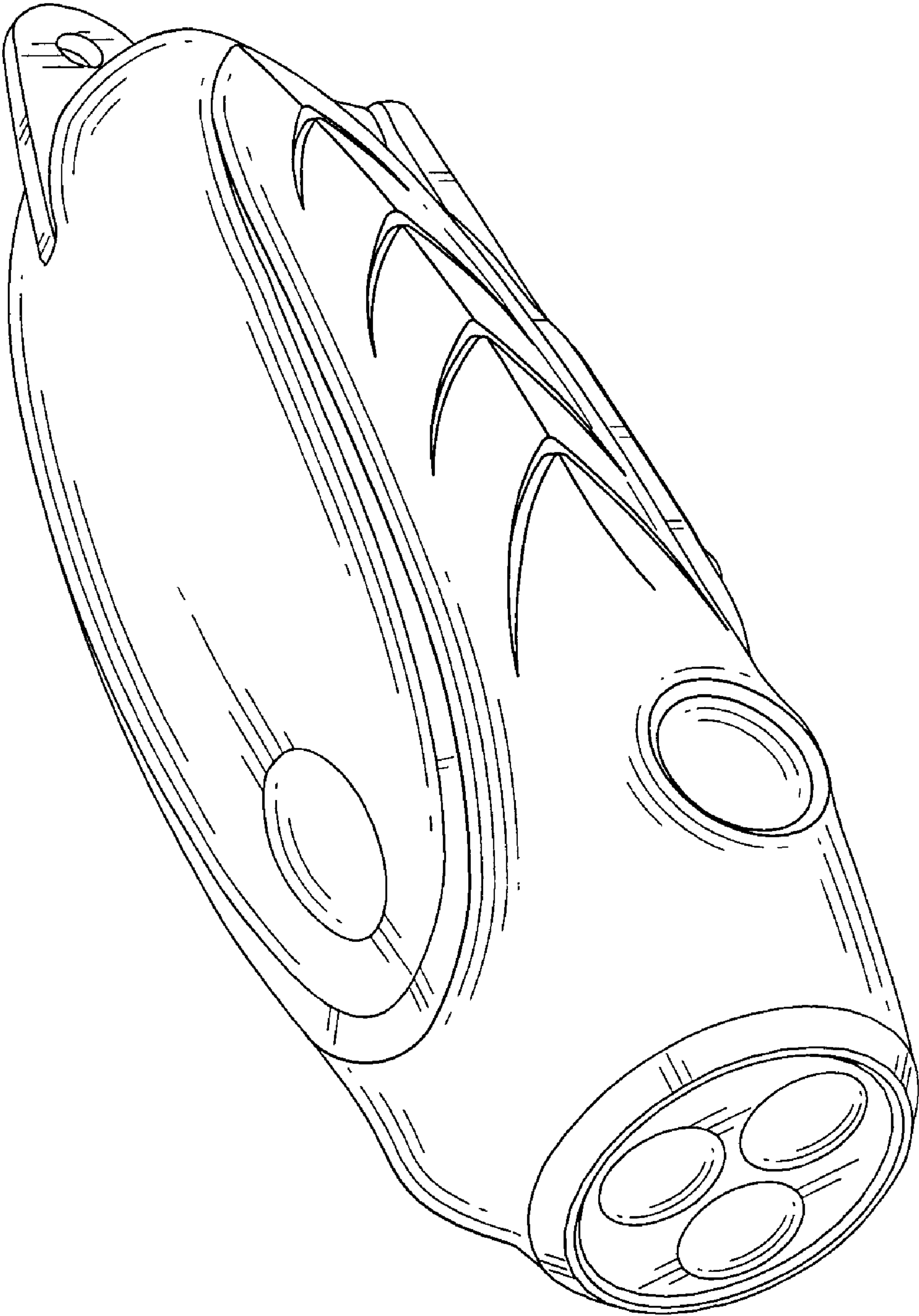


FIG. 1

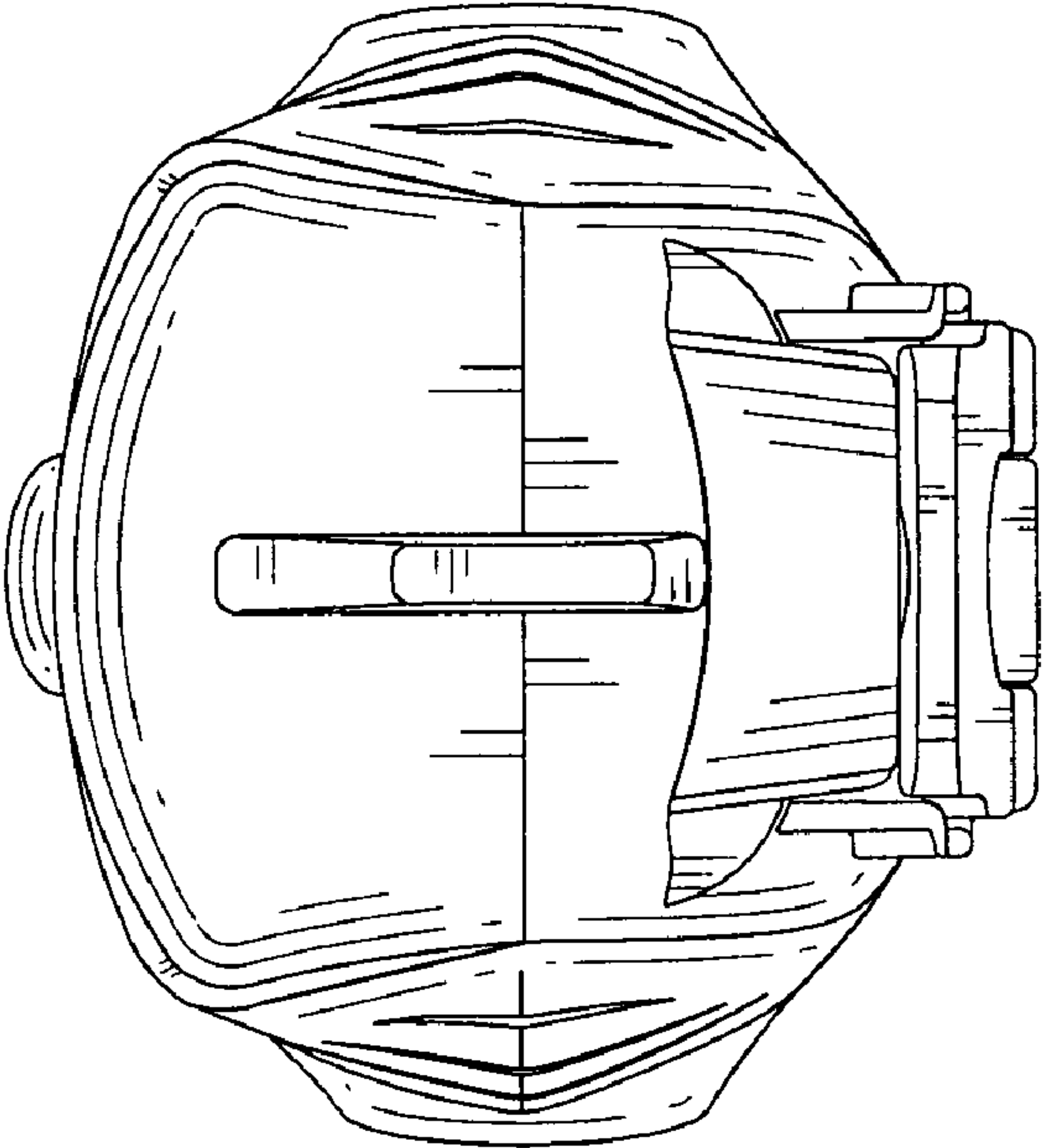


FIG. 3

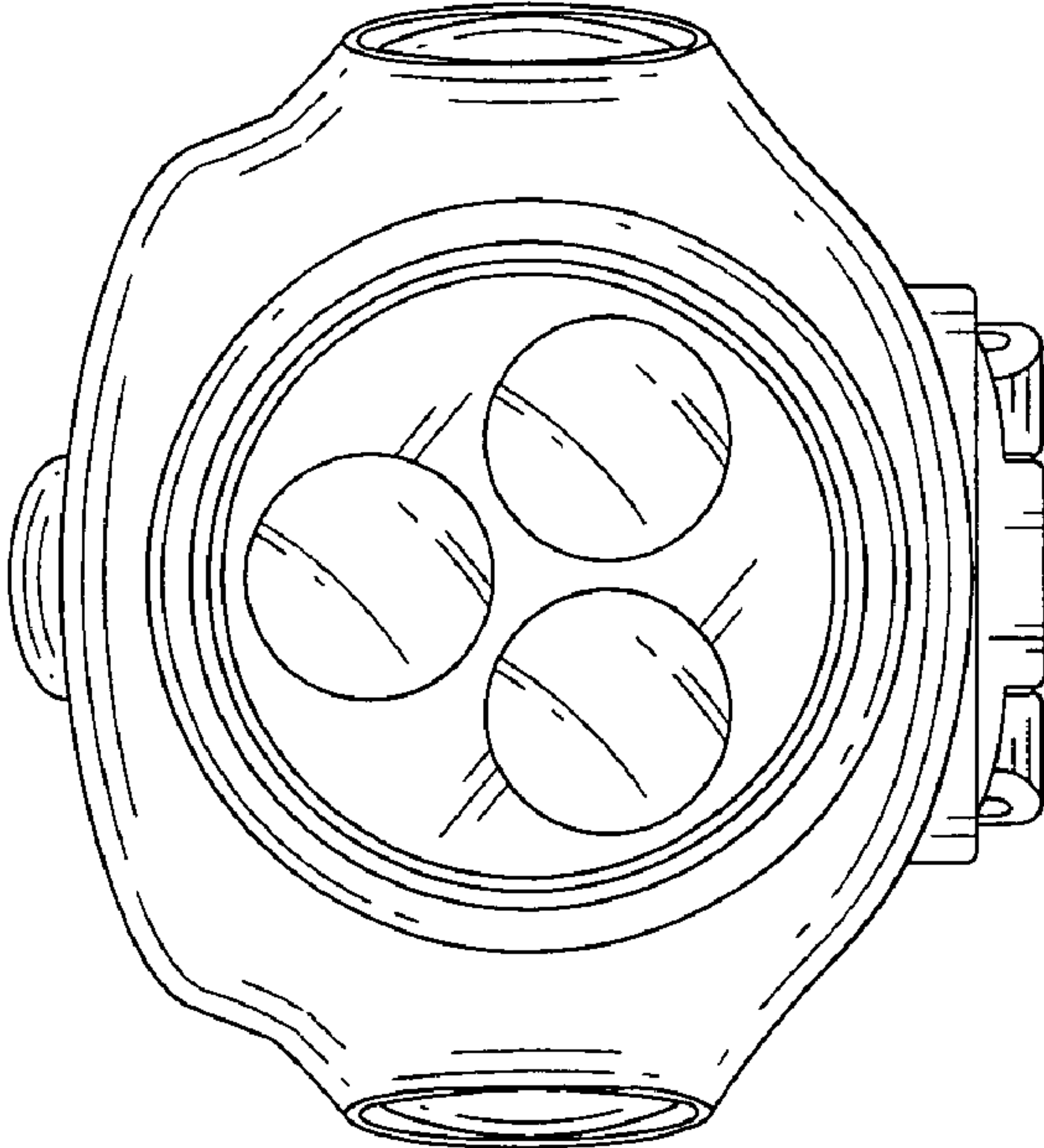


FIG. 2

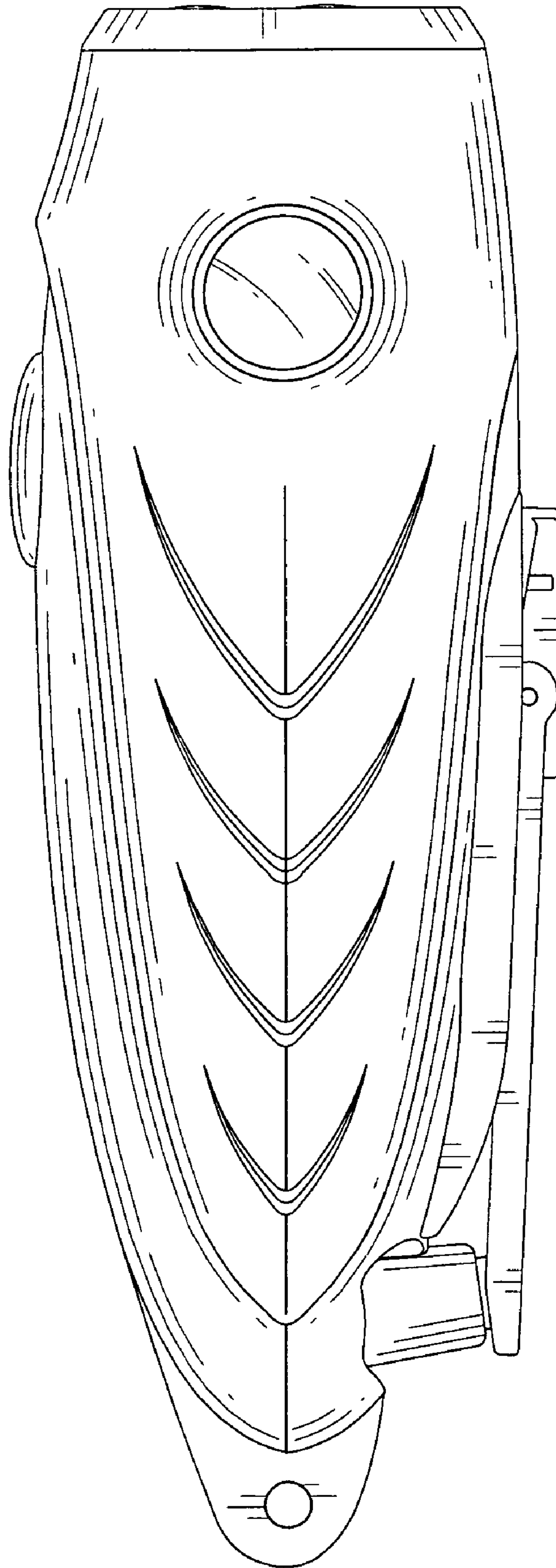


FIG. 4

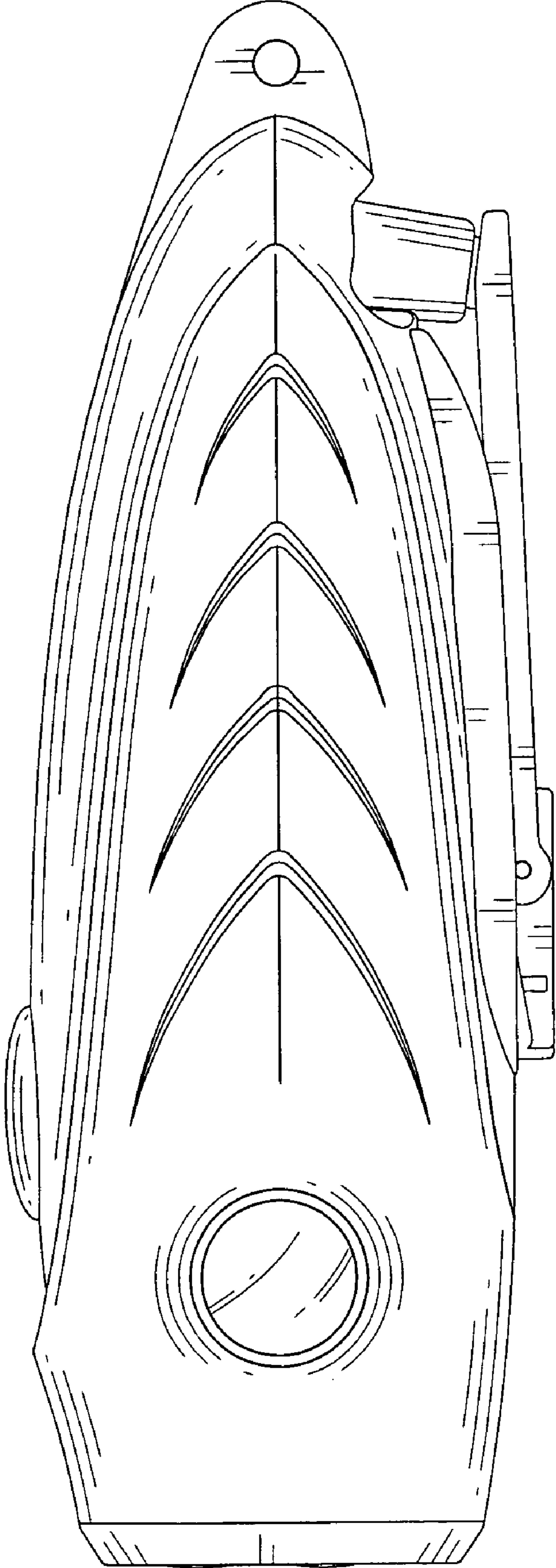


FIG. 5

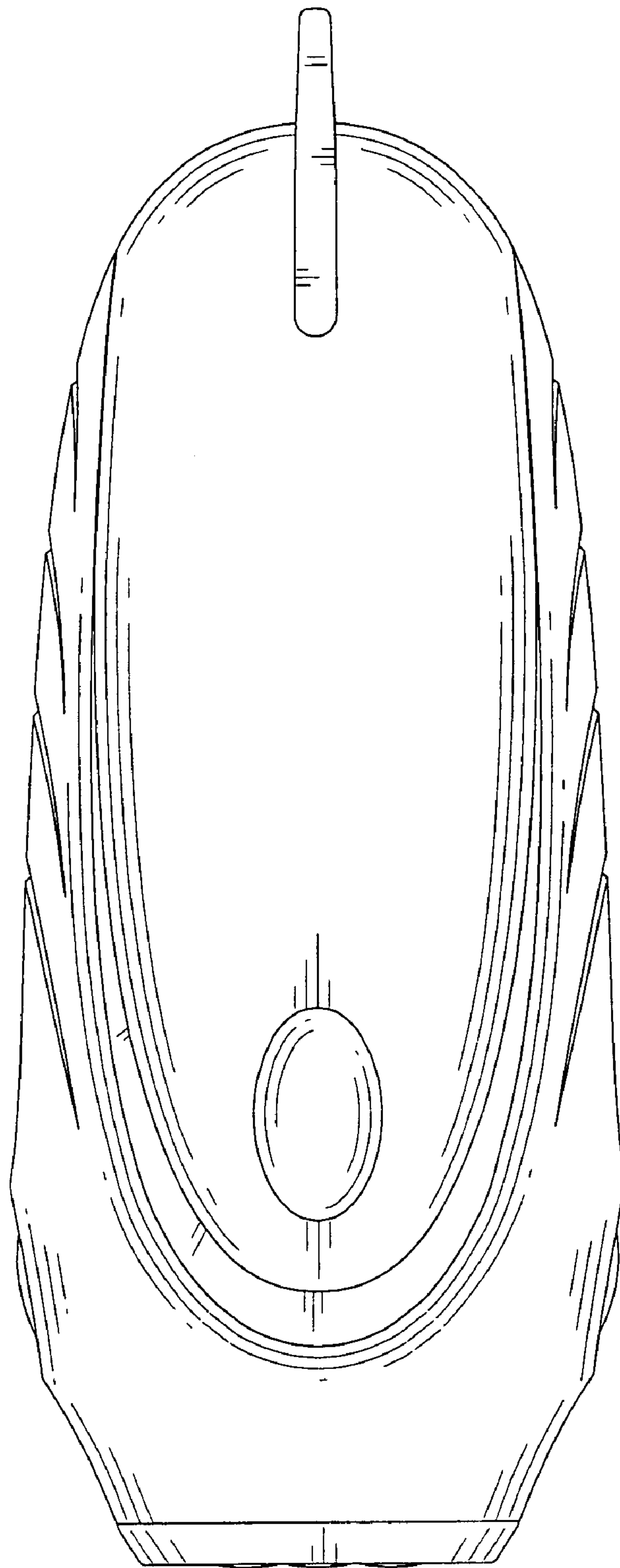


FIG. 6

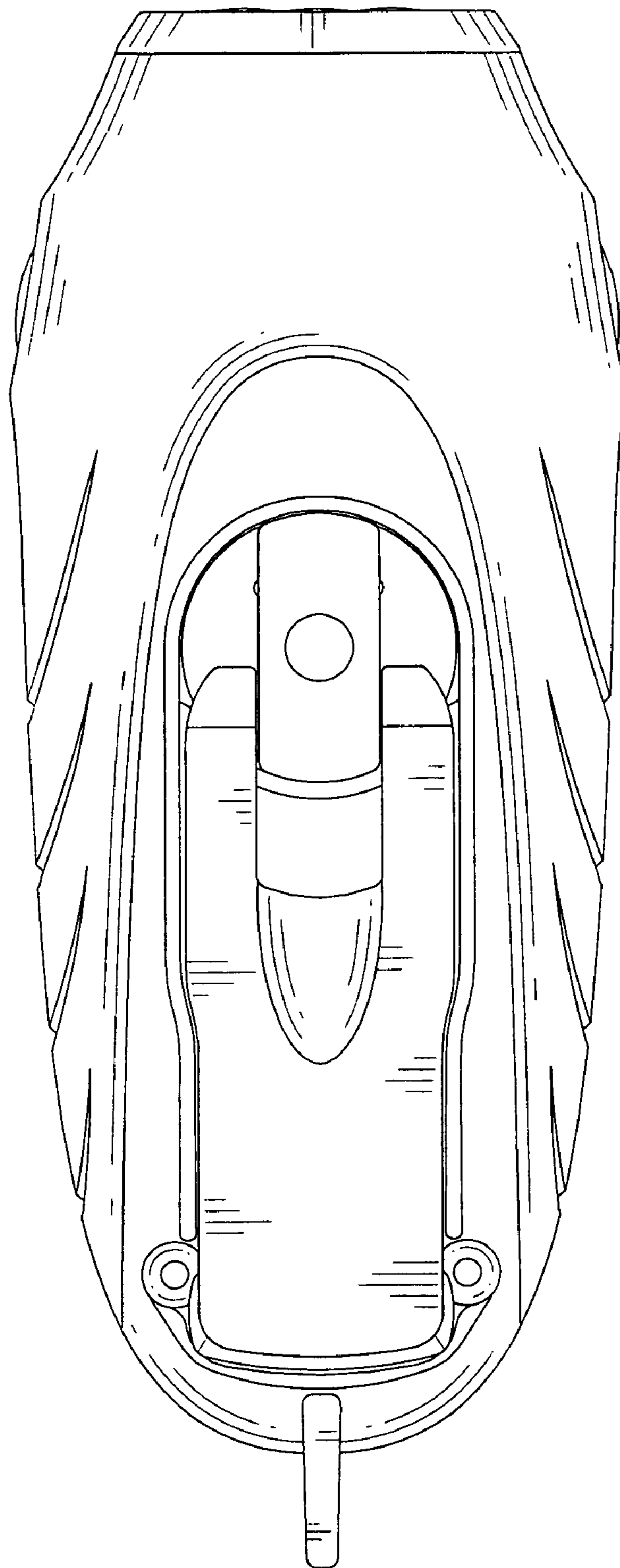


FIG. 7

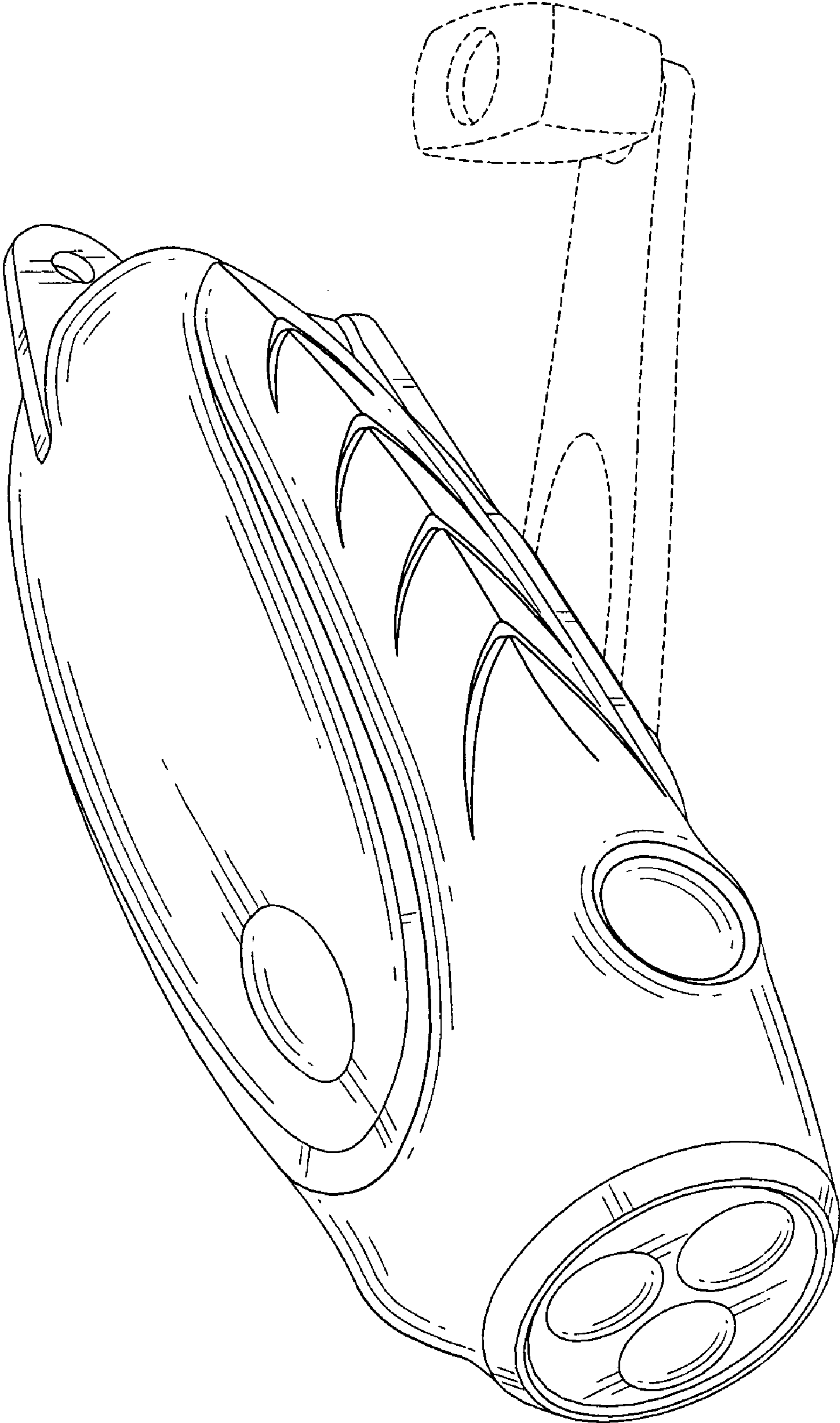


FIG. 8