



US00D570016S

(12) **United States Design Patent**
Hsu

(10) **Patent No.:** **US D570,016 S**

(45) **Date of Patent:** **** May 27, 2008**

(54) **EXTERIOR SURFACE CONFIGURATION OF
A VEHICLE FRONT LIGHT**

D563,576 S * 3/2008 Hanaoka D26/28

* cited by examiner

(76) Inventor: **Hong Ming Hsu**, No. 152, Sec. 2,
Funong St. East District, Tainan City
(TW) 701

Primary Examiner—Marcus A. Jackson

(74) *Attorney, Agent, or Firm*—Alexander Chen, Esq.

(**) Term: **14 Years**

(57) **CLAIM**

(21) Appl. No.: **29/299,668**

The ornamental design for an exterior surface configuration of a vehicle front light, as shown and described.

(22) Filed: **Dec. 31, 2007**

DESCRIPTION

(51) **LOC (8) Cl.** **26-06**

(52) **U.S. Cl.** **D26/28**

(58) **Field of Classification Search** D26/28-36;
362/459-468, 475-478, 485-487

FIG. 1 is perspective view from the front left of an exterior surface configuration of a vehicle front light. The drawings and descriptions represent the right side embodiment. The design also contemplates a mirror symmetrical embodiment on the left side of the vehicle. The dash line included denotes environment and is not part of the claimed design

See application file for complete search history.

FIG. 2 is a front elevation view thereof;

(56) **References Cited**

FIG. 3 is a left elevation view thereof; and,

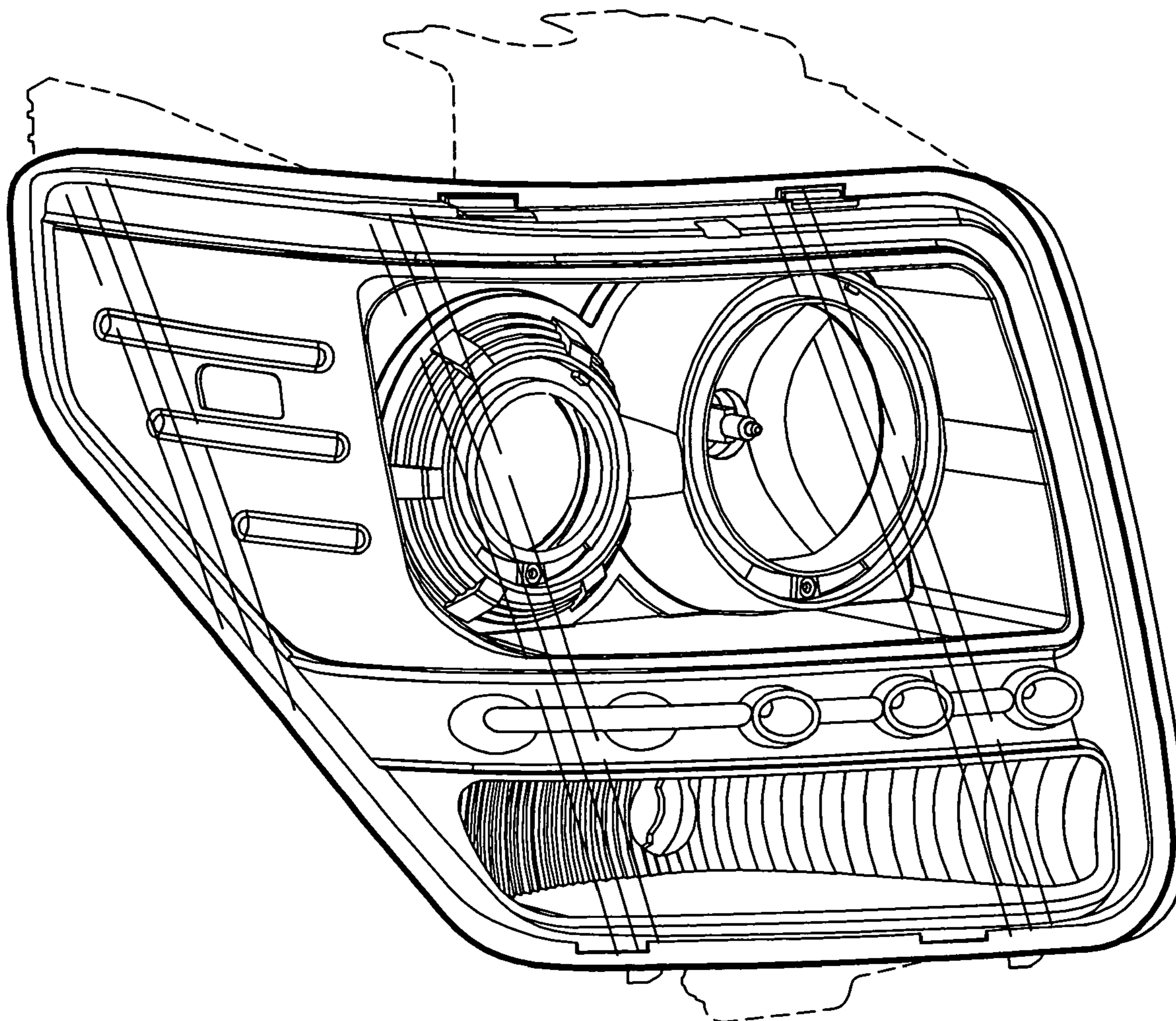
U.S. PATENT DOCUMENTS

FIG. 4 is a top view thereof.

D560,831 S * 1/2008 Hsu D26/28

D561,364 S * 2/2008 Hsu D26/28

1 Claim, 4 Drawing Sheets



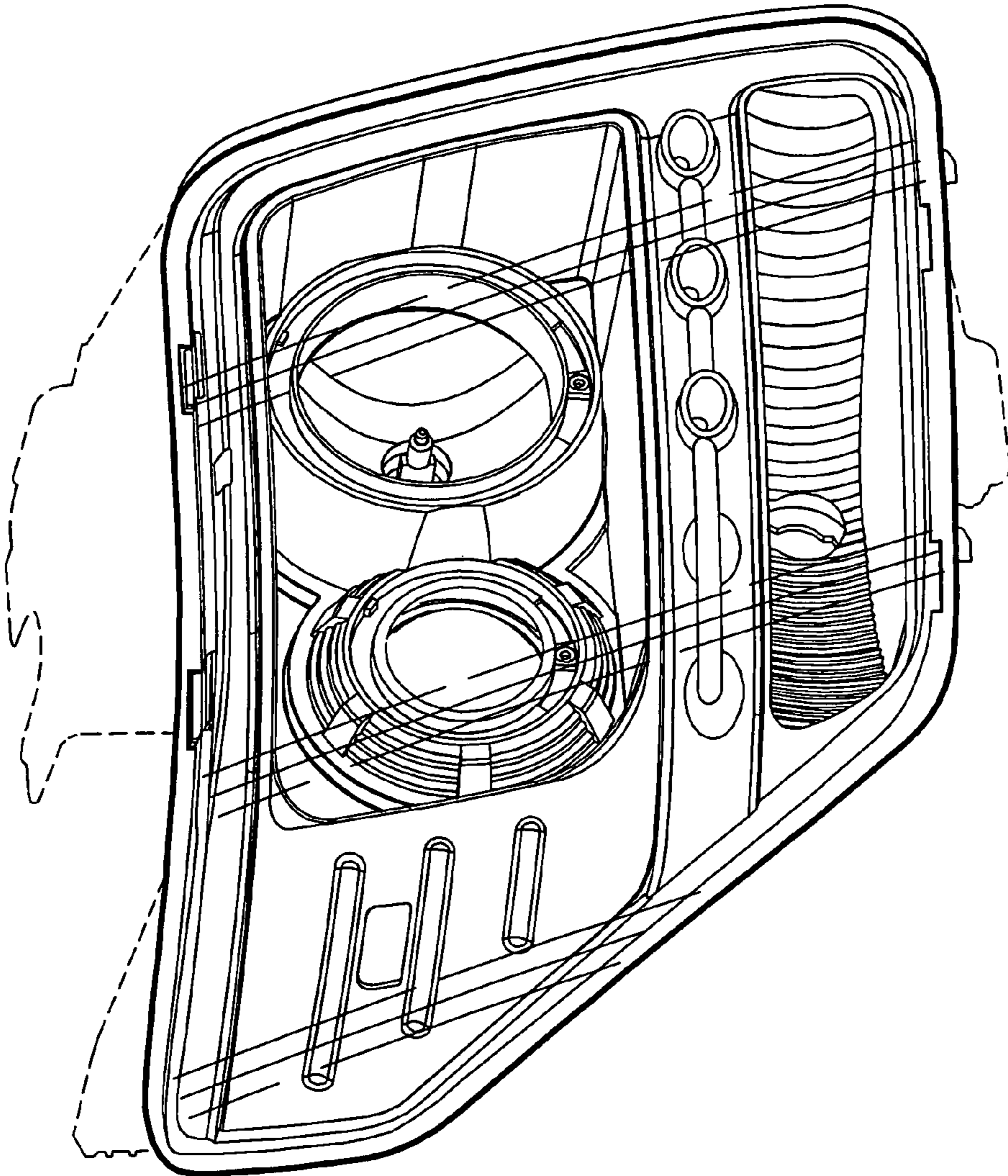


FIG. 1

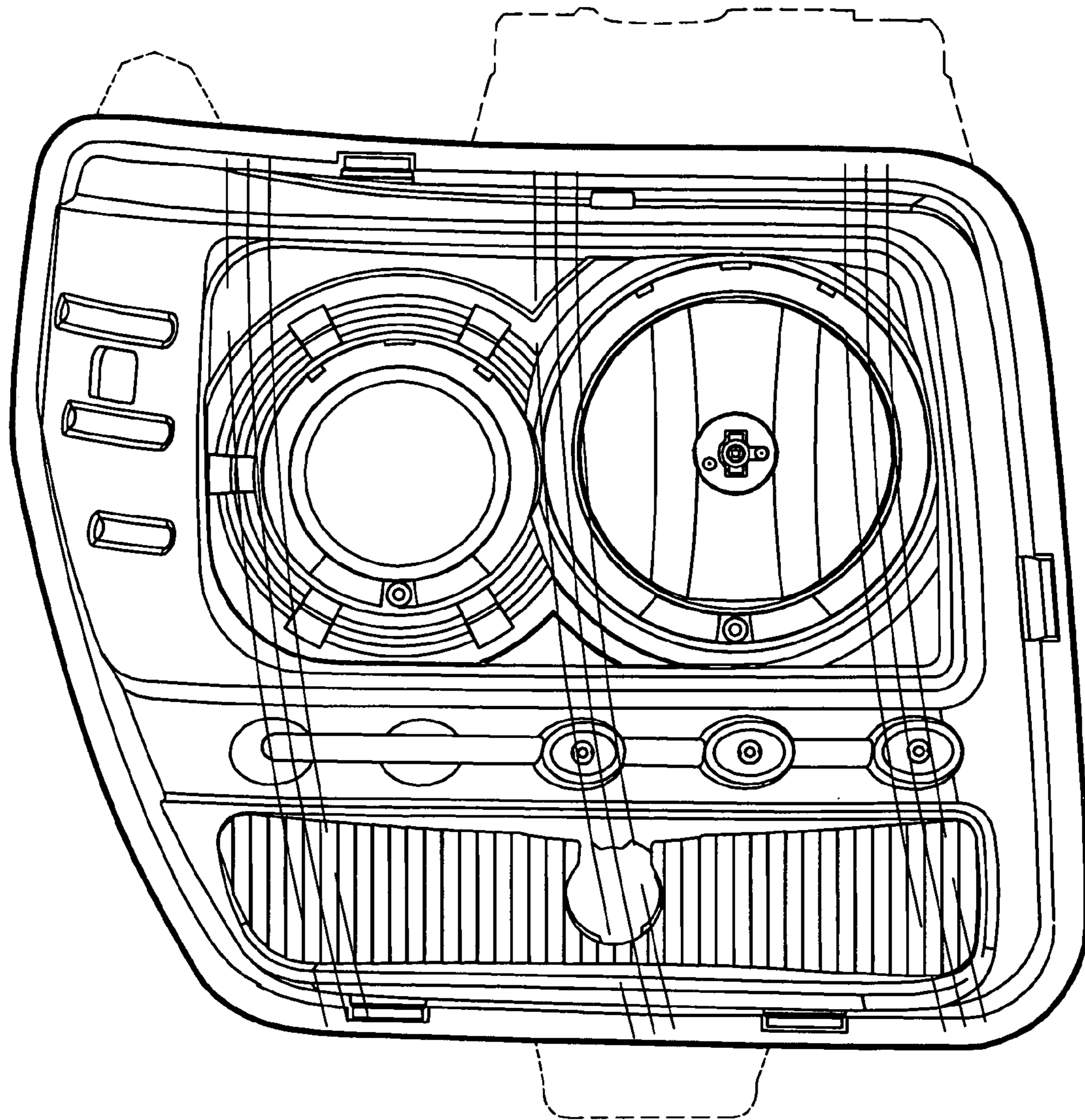


FIG. 2

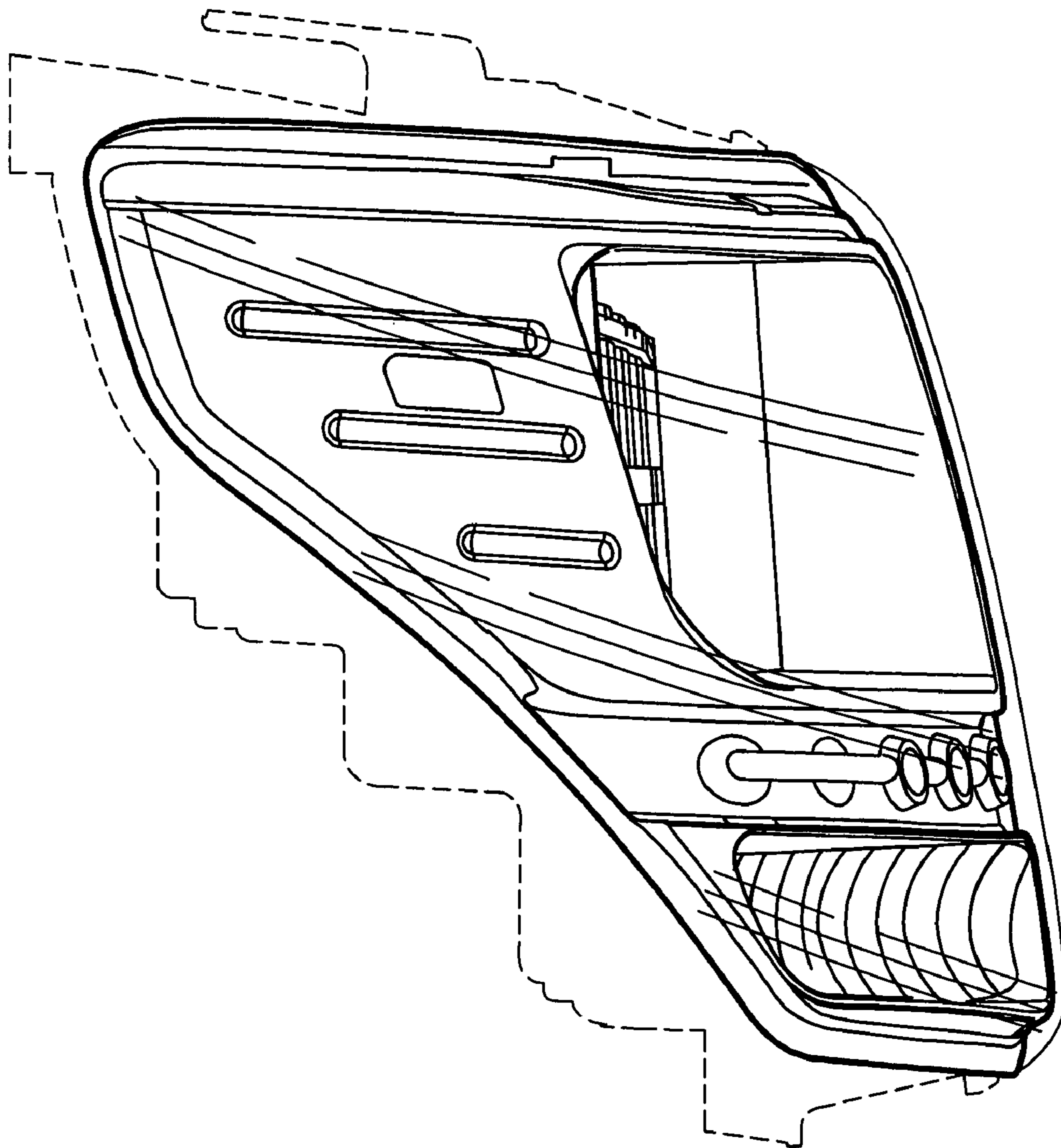


FIG. 3

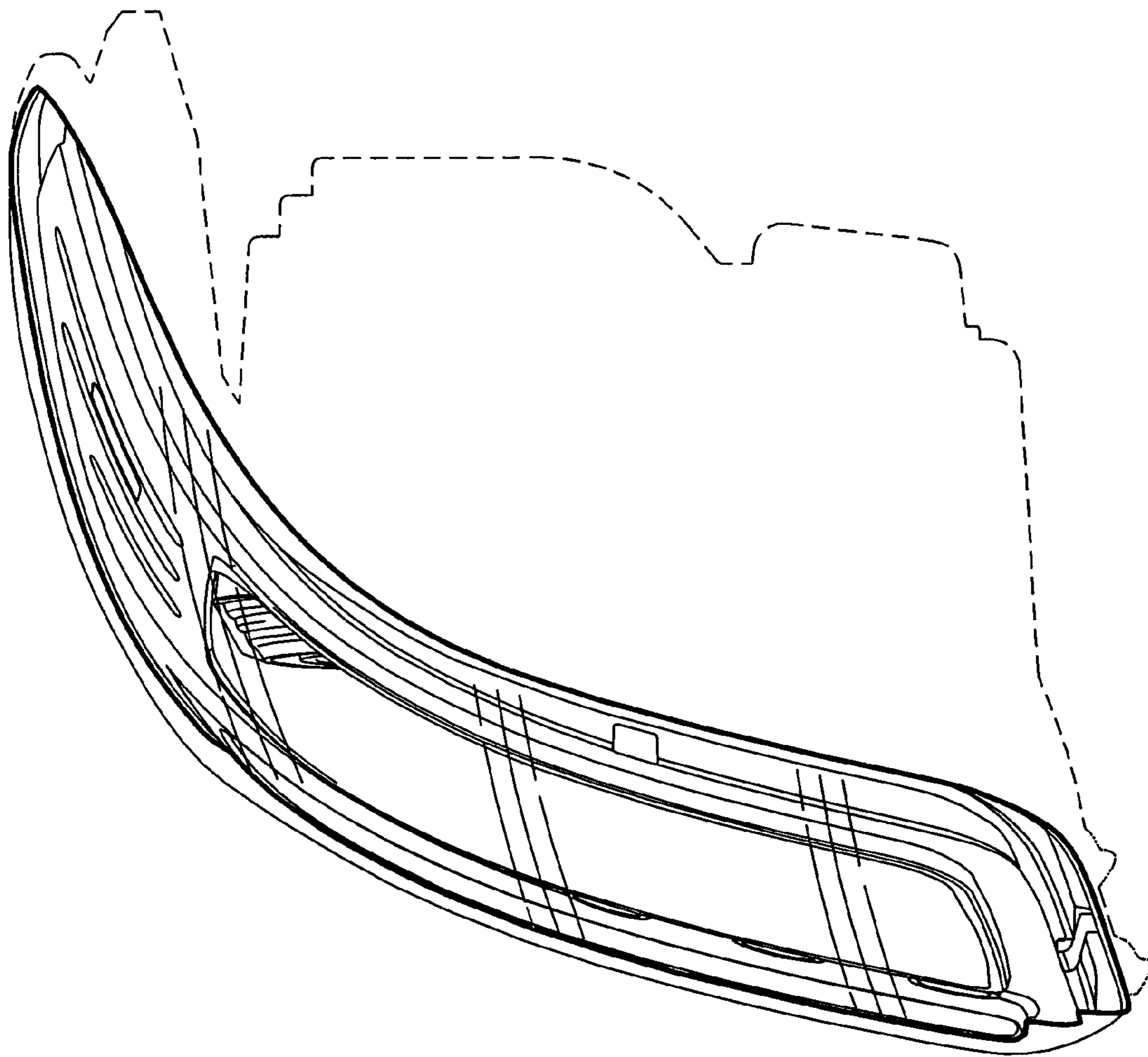


FIG. 4