



US00D570014S

(12) **United States Design Patent** (10) **Patent No.:** **US D570,014 S**
Hsu (45) **Date of Patent:** **** May 27, 2008**

(54) **EXTERIOR SURFACE CONFIGURATION OF A VEHICLE FRONT LIGHT**

(76) Inventor: **Hong Ming Hsu**, No. 152, Sec 2, Funong St. East District, Tainan City (TW) 701

(**) Term: **14 Years**

(21) Appl. No.: **29/299,660**

(22) Filed: **Dec. 31, 2007**

(51) **LOC (8) Cl.** **26-06**

(52) **U.S. Cl.** **D26/28**

(58) **Field of Classification Search** D26/28-36; 362/459-468, 475-478, 485-487

See application file for complete search history.

(56) **References Cited**

U.S. PATENT DOCUMENTS

D560,831 S * 1/2008 Hsu D26/28
D561,364 S * 2/2008 Hsu D26/28

* cited by examiner

Primary Examiner—Marcus A. Jackson
(74) *Attorney, Agent, or Firm*—Alexander Chen, Esq.

(57) **CLAIM**

The ornamental design for an exterior surface configuration of a vehicle front light, as shown and described.

DESCRIPTION

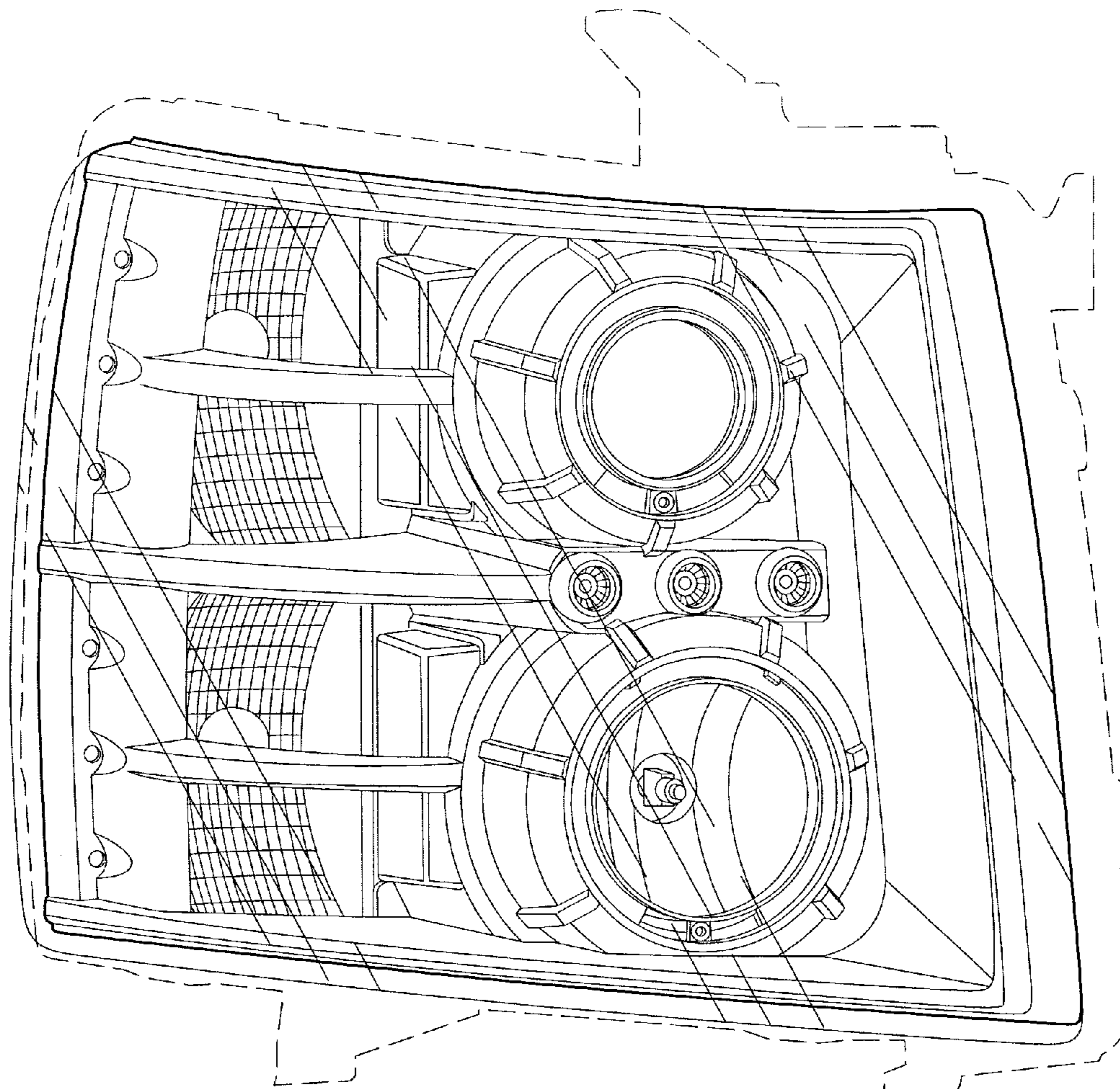
FIG. 1 is perspective view from the front left of an exterior surface configuration of a vehicle front light. The drawings and descriptions represent the right side embodiment. The design also contemplates a mirror symmetrical embodiment on the left side of the vehicle. The dash line included denotes environment and is not part of the claimed design

FIG. 2 is a front elevation view thereof;

FIG. 3 is a left elevation view thereof; and,

FIG. 4 is a top view thereof.

1 Claim, 4 Drawing Sheets



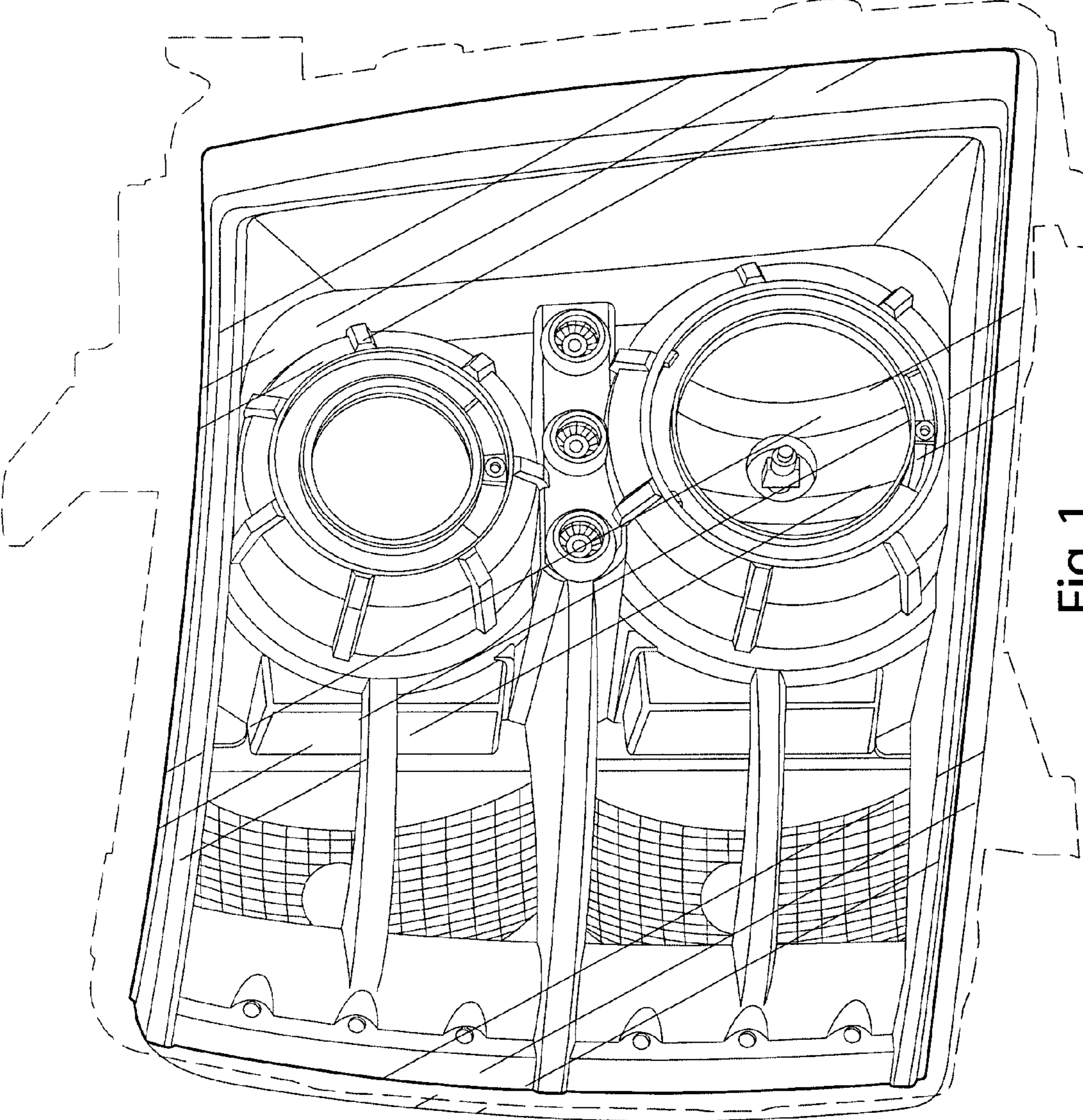


Fig. 1

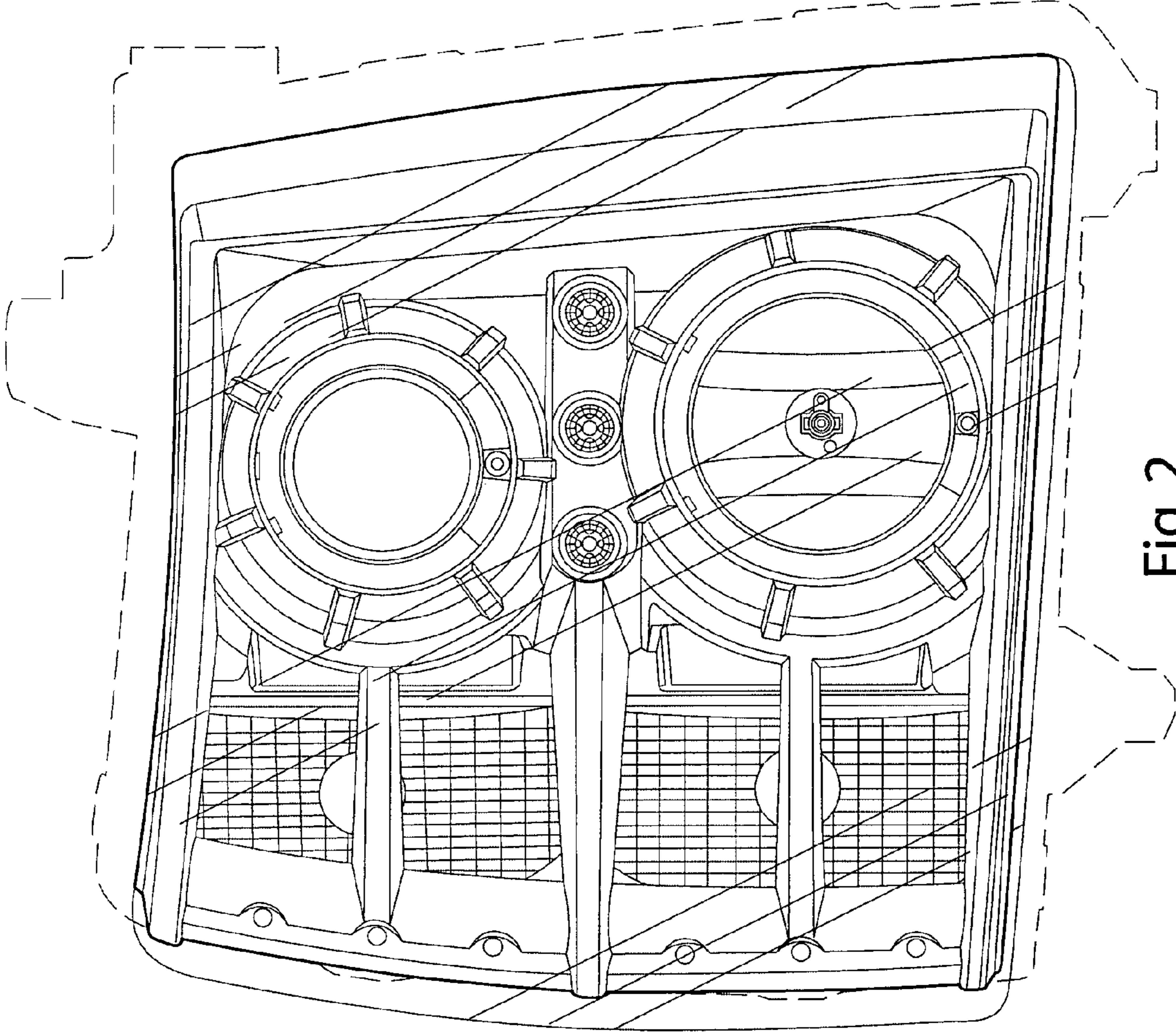


Fig. 2

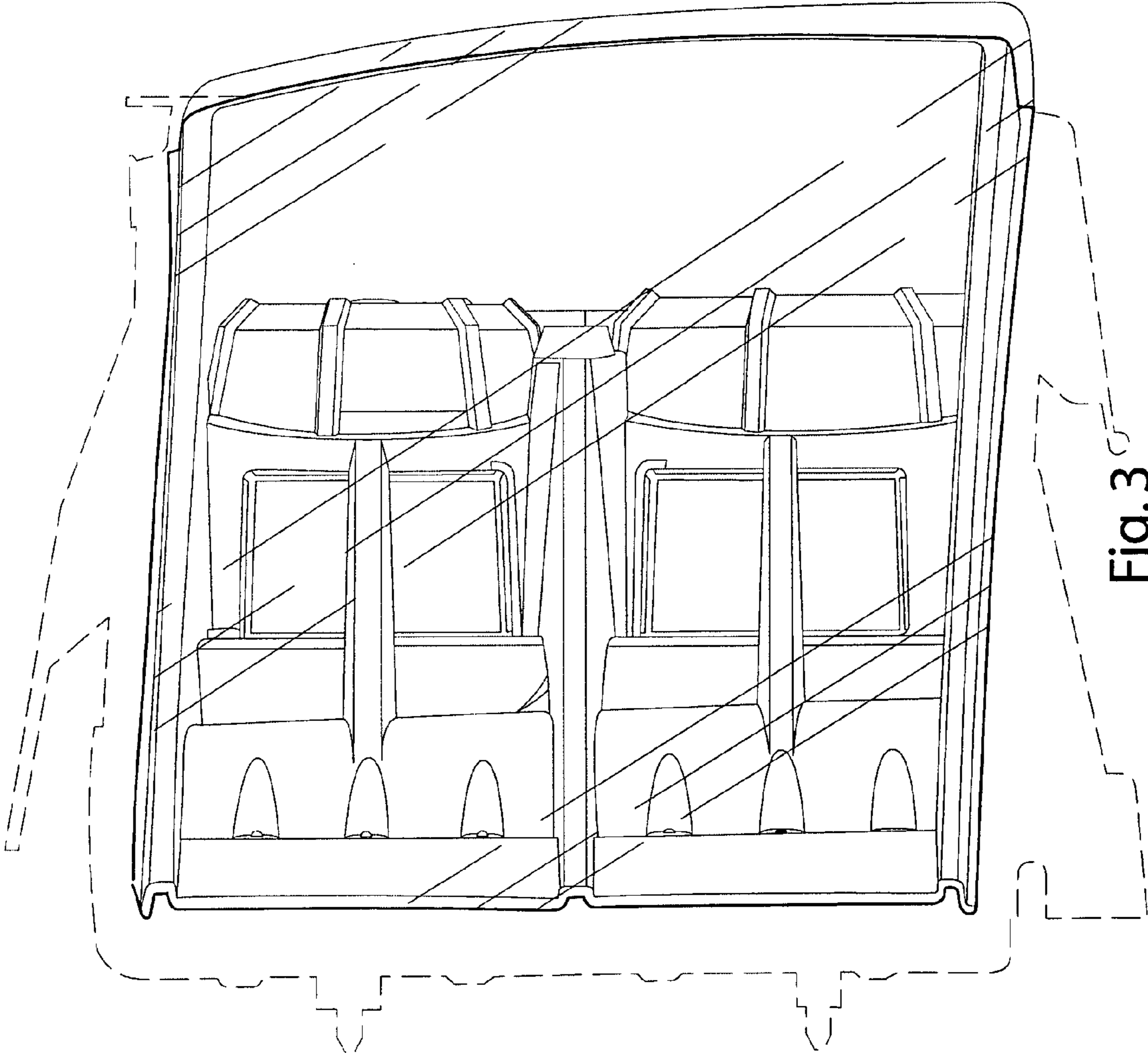


Fig. 3



Fig. 4