



US00D570012S

(12) **United States Design Patent**  
**Huang**

(10) **Patent No.:** **US D570,012 S**

(45) **Date of Patent:** **\*\* May 27, 2008**

(54) **LOW PROFILE ROUND LED SEALED LIGHT WITH SPIDER DESIGN**

D542,950 S \* 5/2007 Rogers et al. .... D26/28  
D556,351 S \* 11/2007 Tsai ..... D26/28

(75) Inventor: **Nan Huang Huang**, Rancho Palos Verdes, CA (US)

\* cited by examiner

*Primary Examiner*—Marcus A. Jackson

(73) Assignee: **Grand General Accessories Manufacturing**, Rancho Dominguez, CA (US)

(74) *Attorney, Agent, or Firm*—Thomas I. Rozsa

(\*\*) Term: **14 Years**

(57) **CLAIM**

The ornamental design for a low profile round LED sealed light with spider design, as shown and described.

(21) Appl. No.: **29/293,062**

**DESCRIPTION**

(22) Filed: **Nov. 6, 2007**

FIG. 1 is a side perspective view of a low profile round LED sealed light with spider design, showing my design.

(51) **LOC (8) Cl.** ..... **26-06**

FIG. 2 is a top plan view;

(52) **U.S. Cl.** ..... **D26/28**

FIG. 3 is a bottom plan view;

(58) **Field of Classification Search** ..... D26/28-36;  
362/459-468, 475-478, 485-487

FIG. 4 is a front view;

See application file for complete search history.

FIG. 5 is a rear view;

(56) **References Cited**

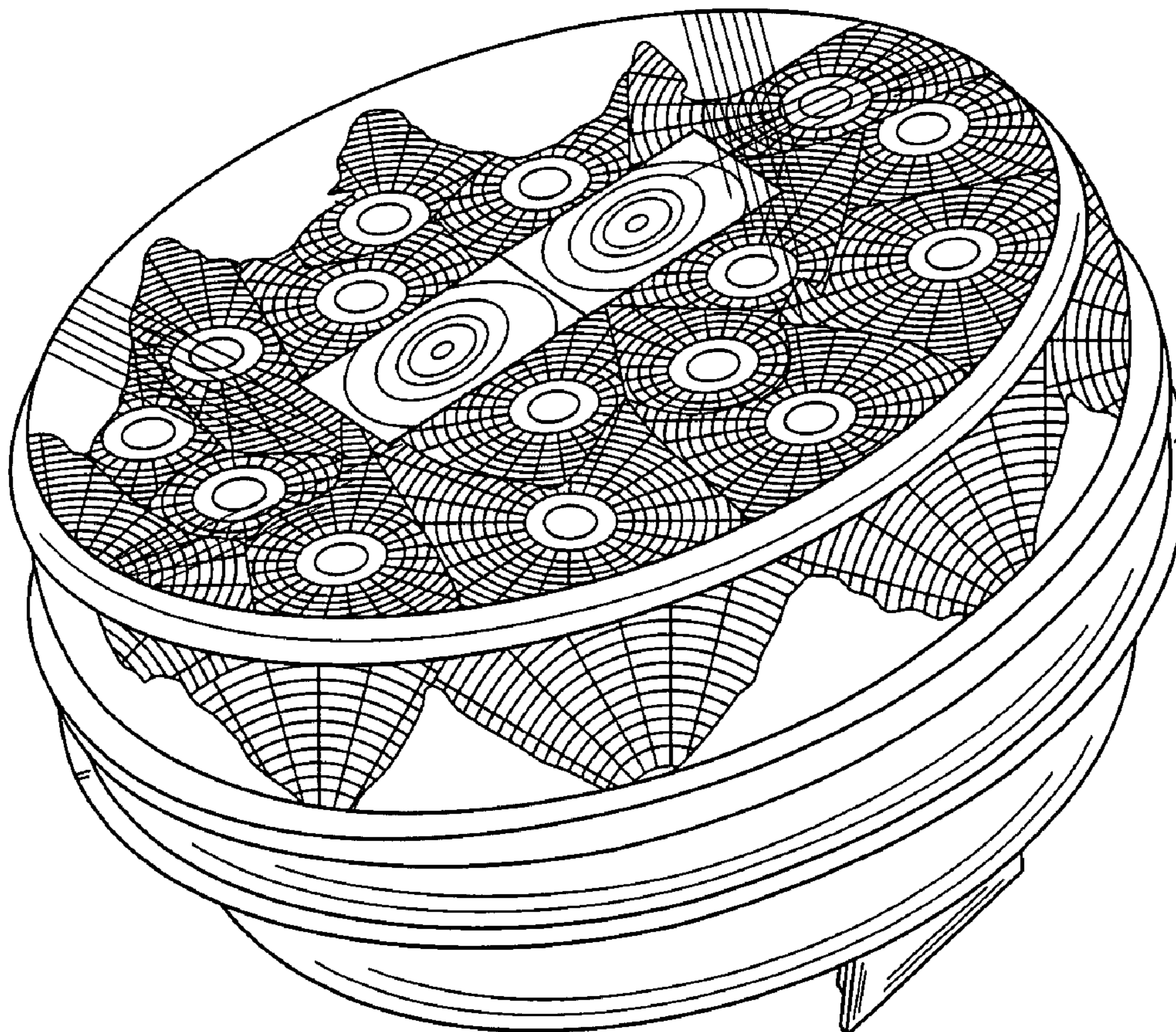
FIG. 6 is a left side view; and,

**U.S. PATENT DOCUMENTS**

FIG. 7 is a right side view.

D540,965 S \* 4/2007 Chiang ..... D26/28

**1 Claim, 5 Drawing Sheets**



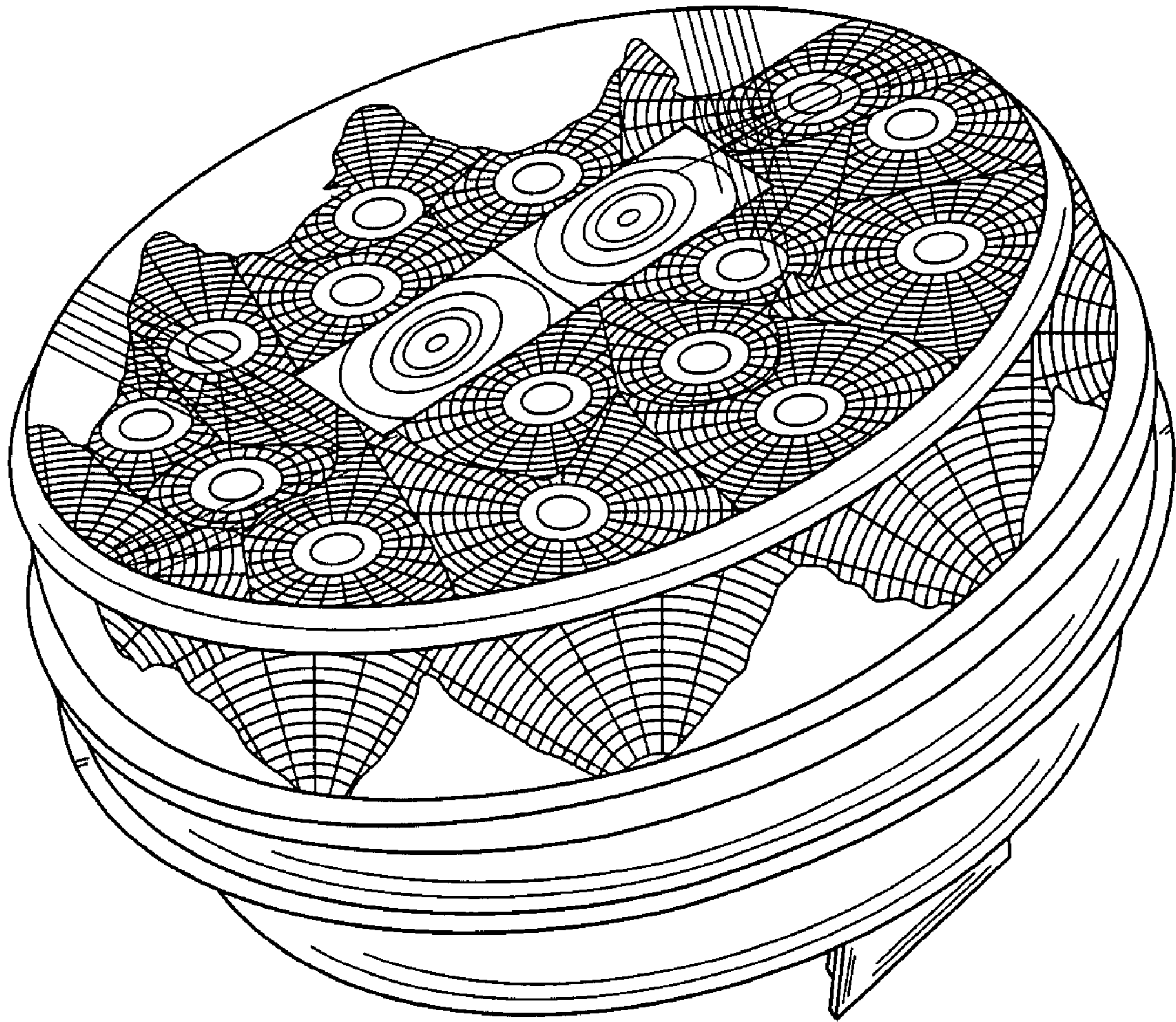


FIG. 1

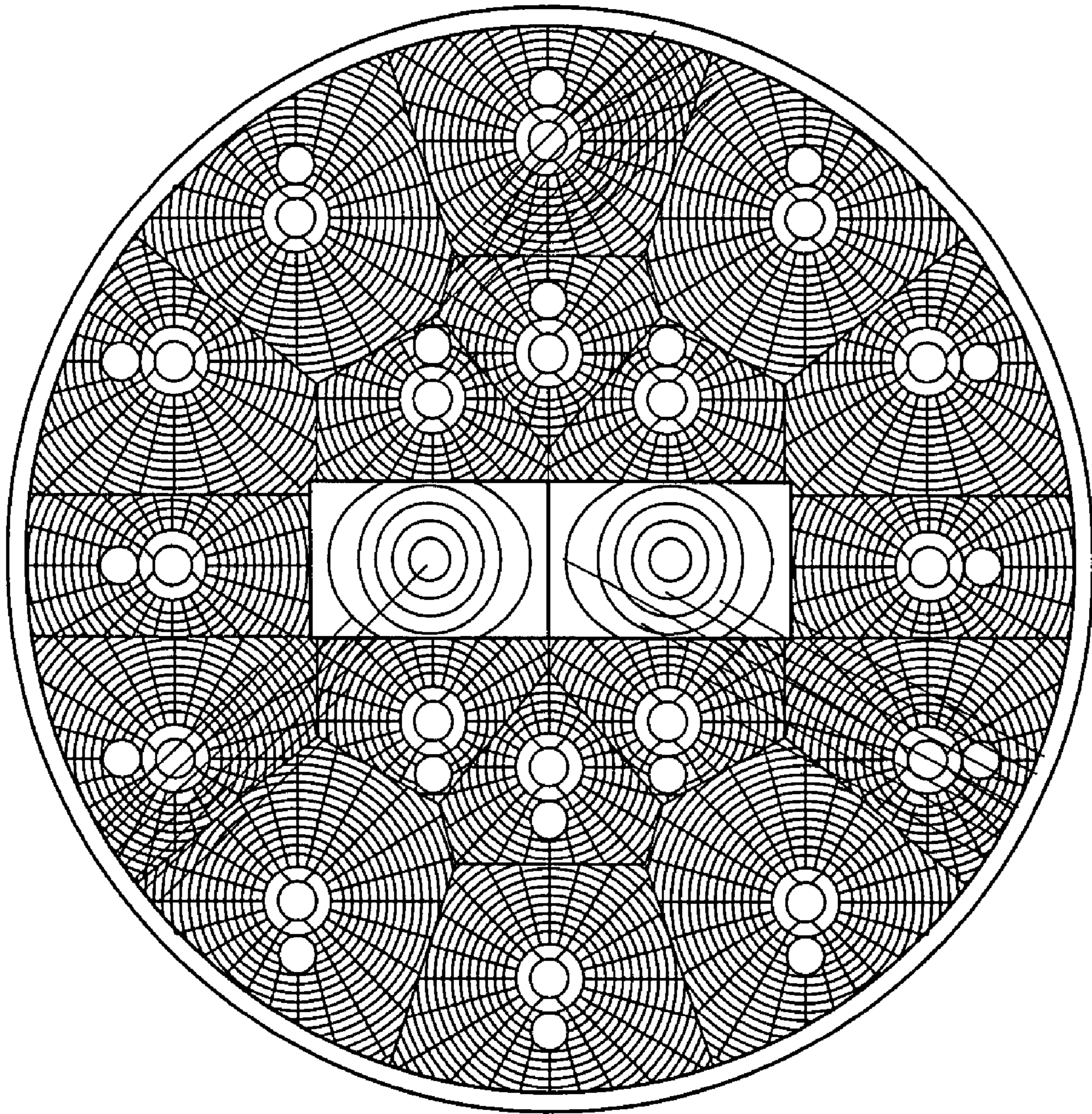


FIG. 2

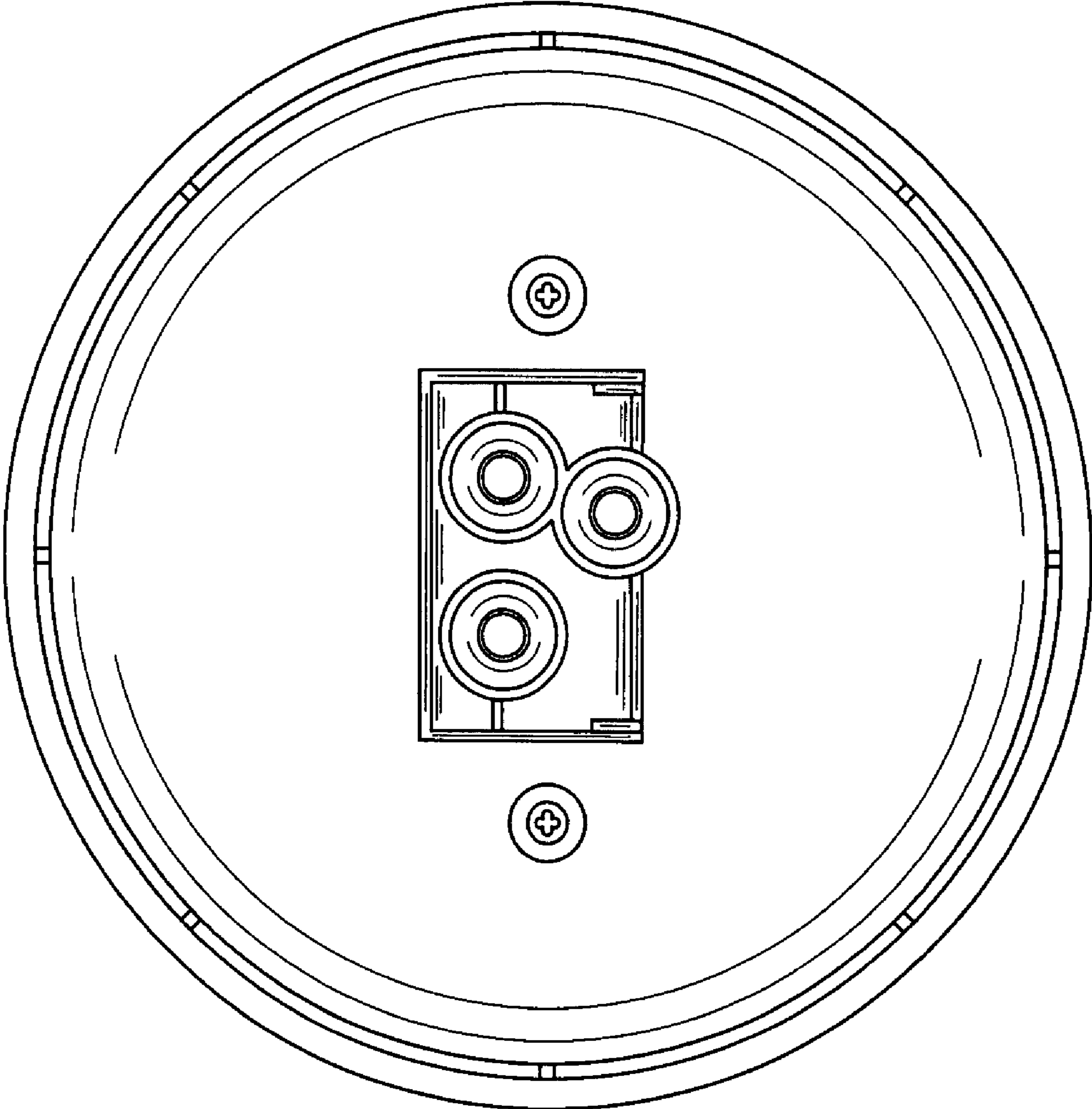


FIG. 3

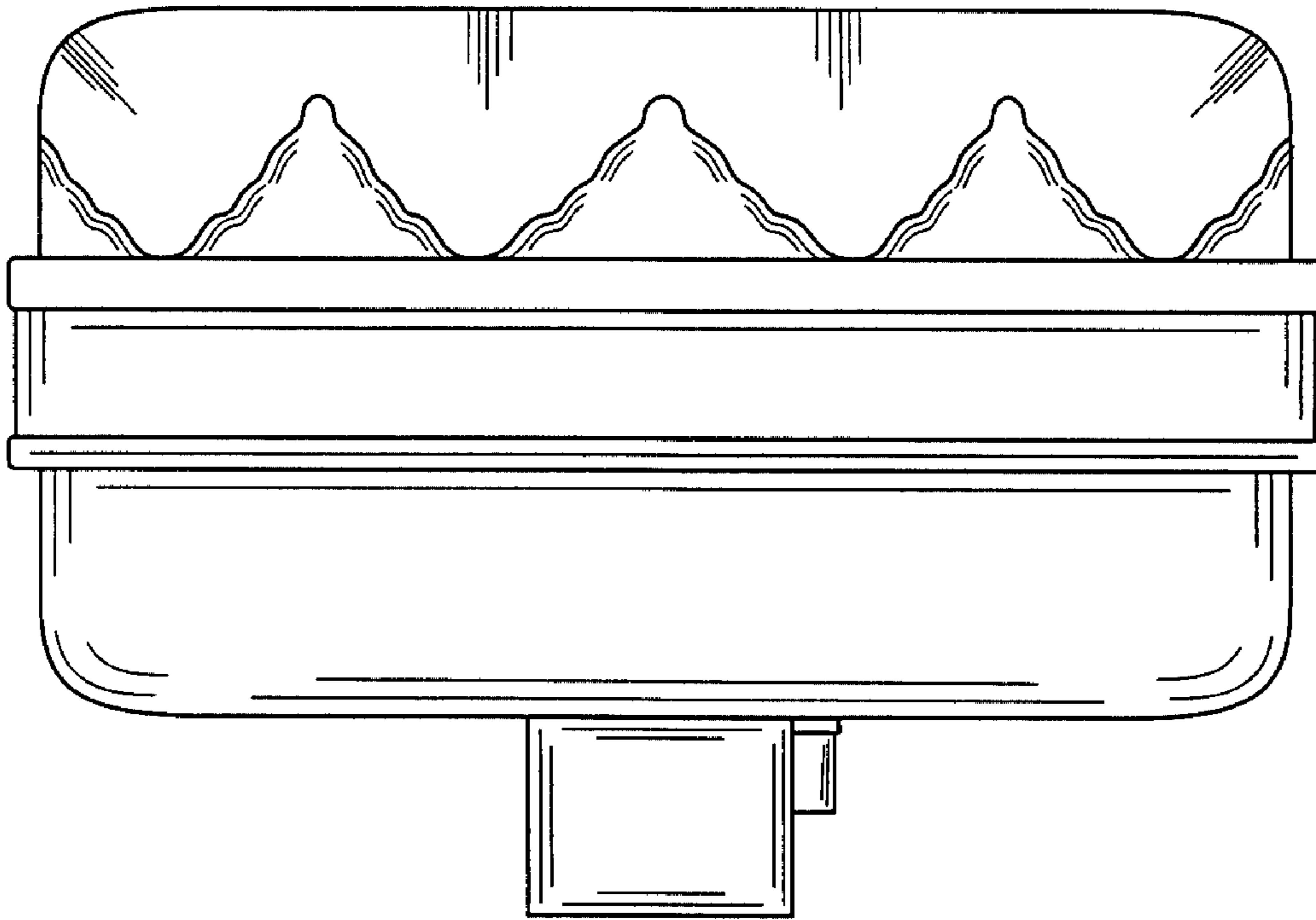


FIG. 4

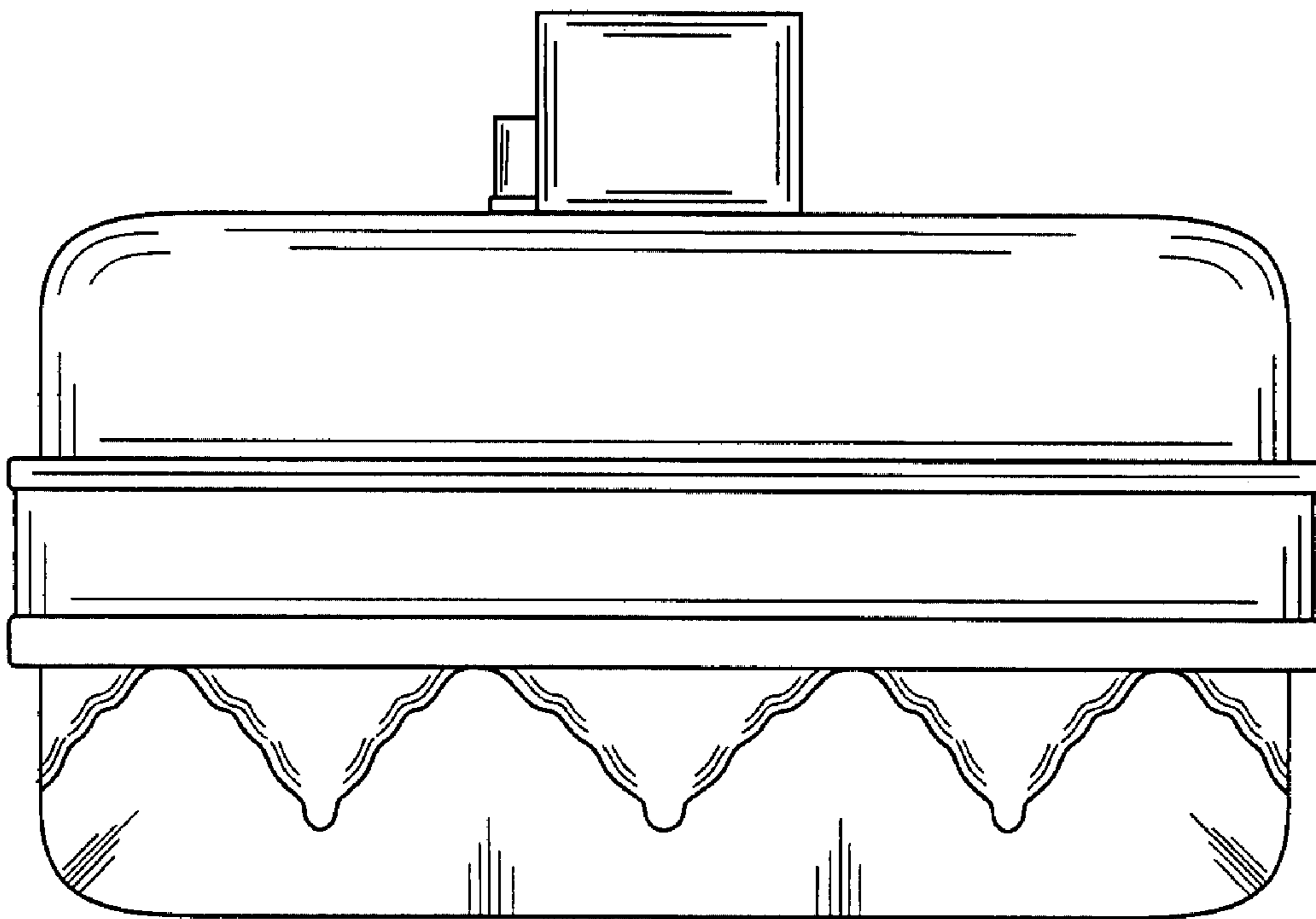


FIG. 5

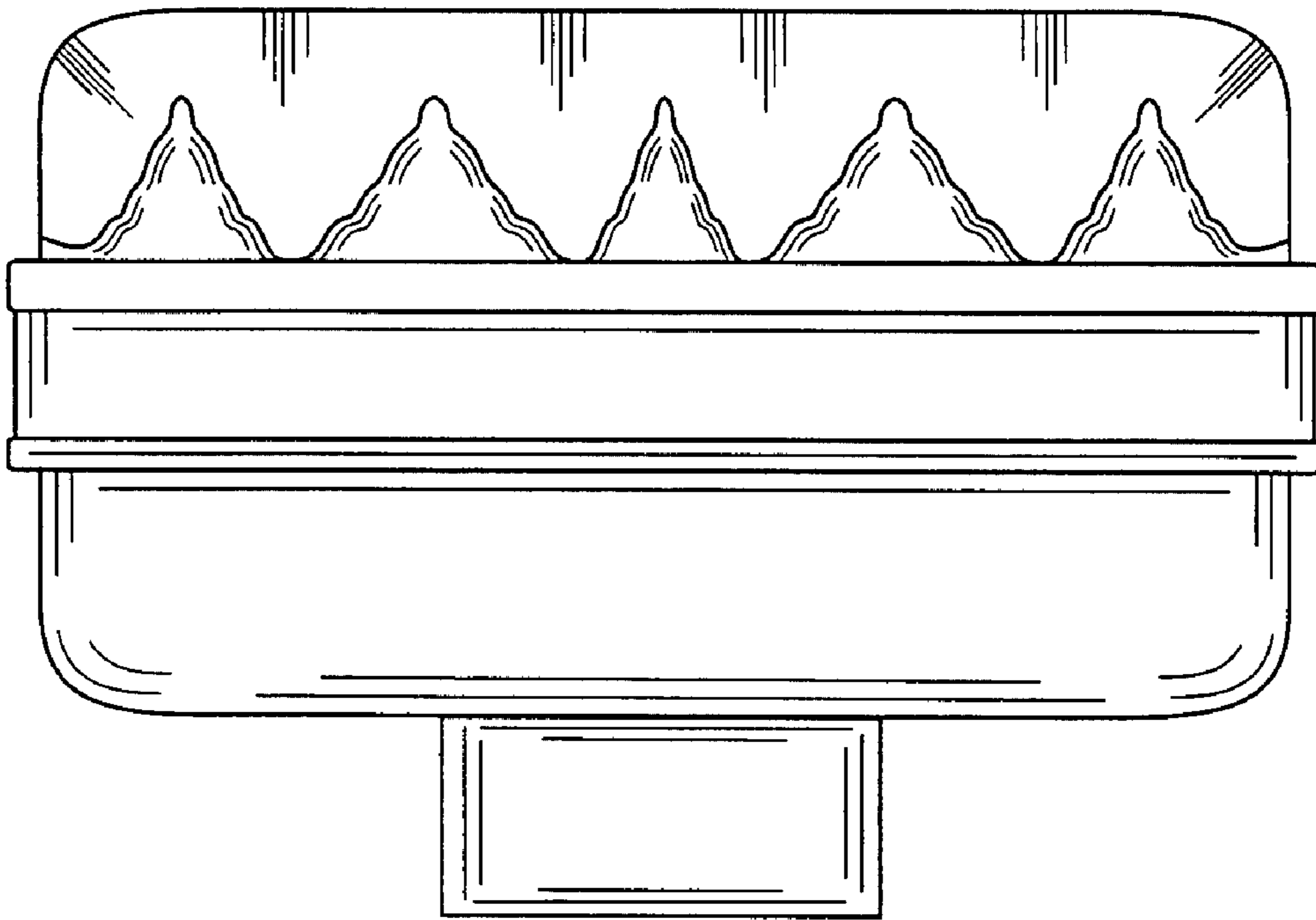


FIG. 6

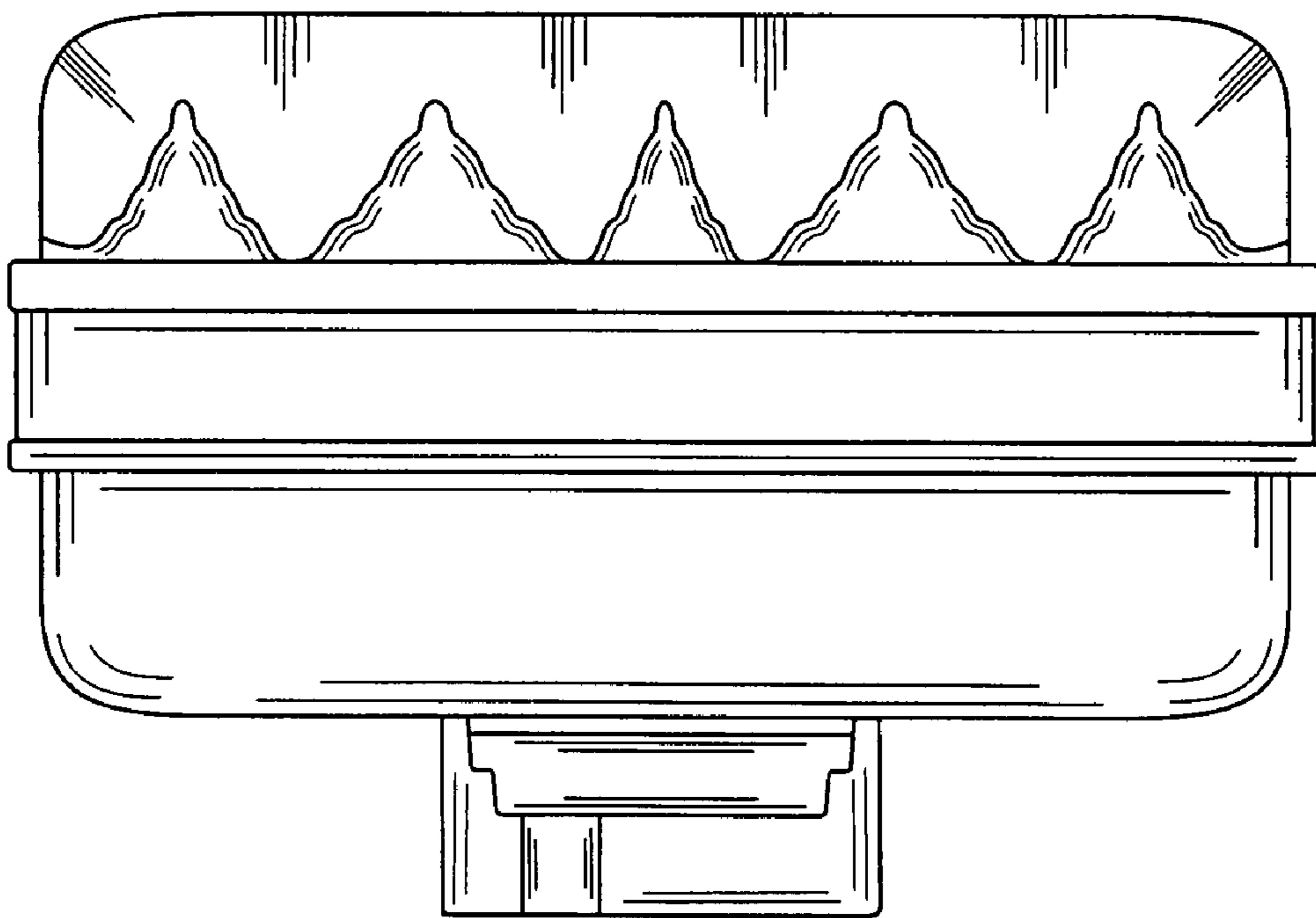


FIG. 7