



US00D570011S

(12) **United States Design Patent**
Huang

(10) **Patent No.:** **US D570,011 S**

(45) **Date of Patent:** **** May 27, 2008**

(54) **LOW PROFILE RECTANGULAR LED
SEALED LIGHT WITH SPIDER DESIGN**

D542,950 S * 5/2007 Rogers et al. D26/28
D556,351 S * 11/2007 Tsai D26/28

(75) Inventor: **Nan Huang Huang**, Rancho Palos
Verdes, CA (US)

* cited by examiner

Primary Examiner—Marcus A. Jackson

(73) Assignee: **Grand General Accessories
Manufacturing**, Rancho Dominquez,
CA (US)

(74) *Attorney, Agent, or Firm*—Thomas I. Rozsa

(**) Term: **14 Years**

(57) **CLAIM**

The ornamental design for a low profile rectangular LED
sealed light with spider design, as shown and described.

(21) Appl. No.: **29/293,061**

DESCRIPTION

(22) Filed: **Nov. 6, 2007**

FIG. 1 is a side perspective view of a low profile rectangular
LED sealed light with spider design, showing my design.

(51) **LOC (8) Cl.** **26-06**

FIG. 2 is a top plan view;

(52) **U.S. Cl.** **D26/28**

FIG. 3 is a bottom plan view;

(58) **Field of Classification Search** D26/28-36;
362/459-468, 475-478, 485-487

FIG. 4 is a front view;

See application file for complete search history.

FIG. 5 is a rear view;

(56) **References Cited**

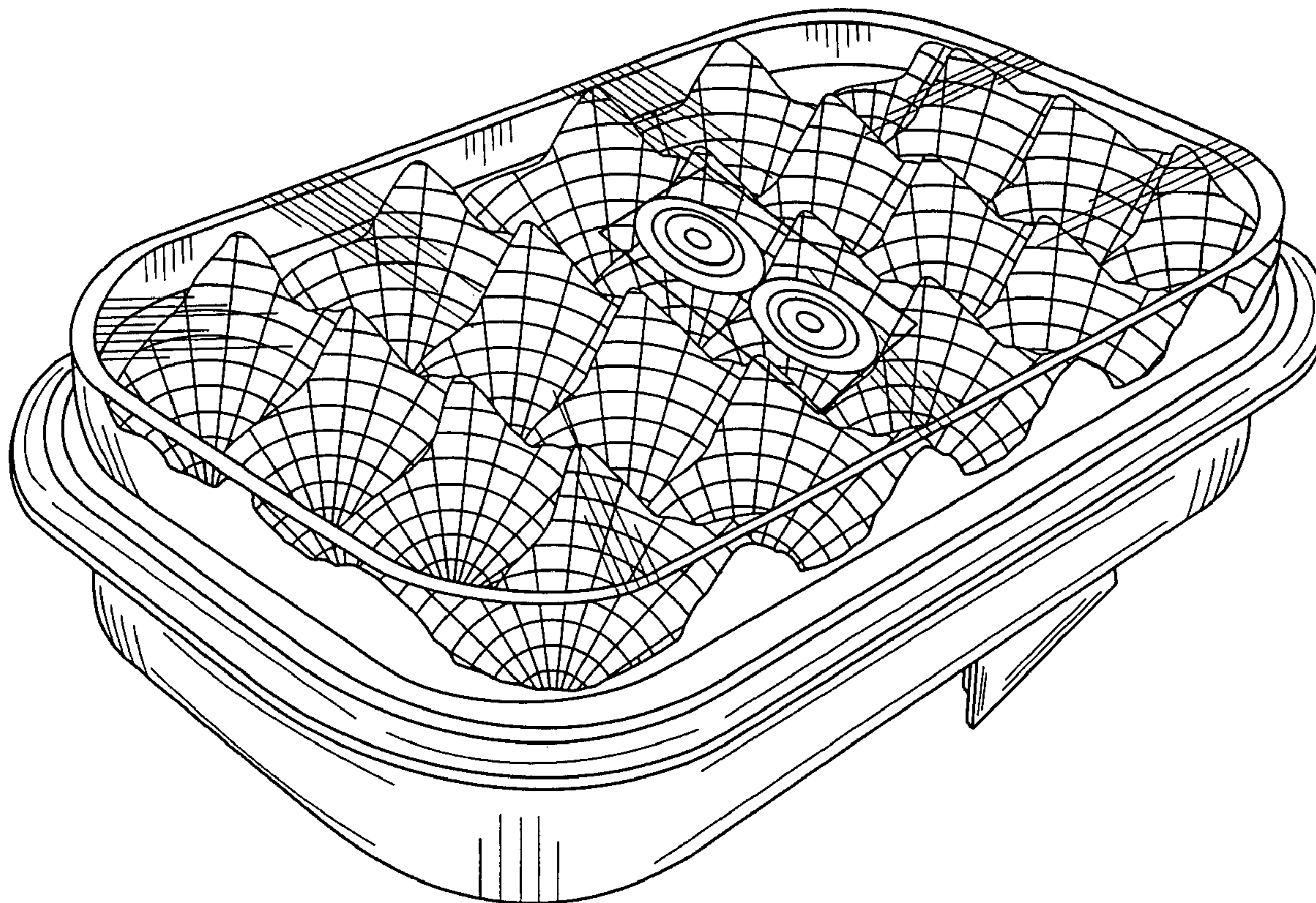
FIG. 6 is left side view; and,

U.S. PATENT DOCUMENTS

FIG. 7 is a right side view.

D540,965 S * 4/2007 Chiang D26/28

1 Claim, 5 Drawing Sheets



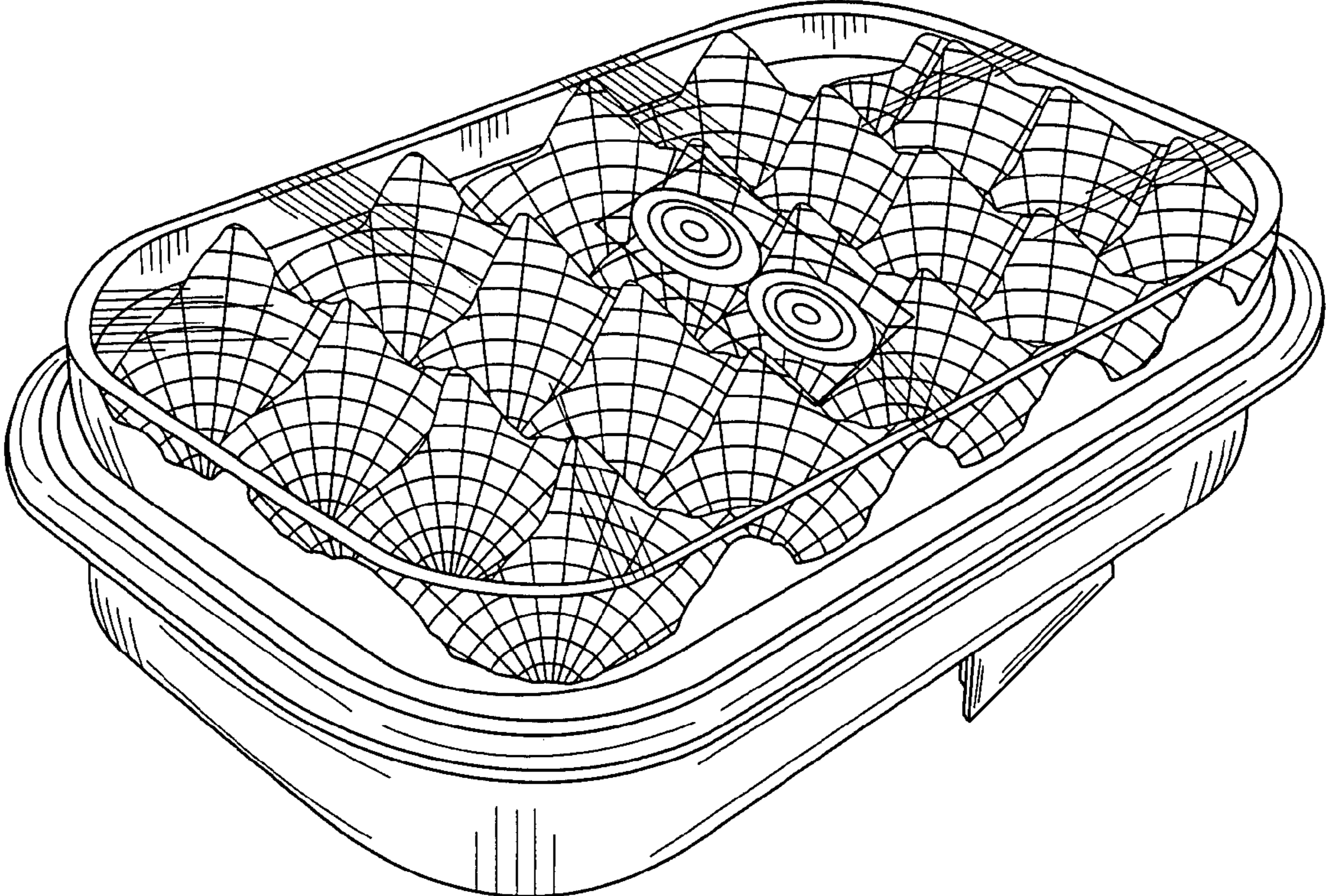


FIG. 1

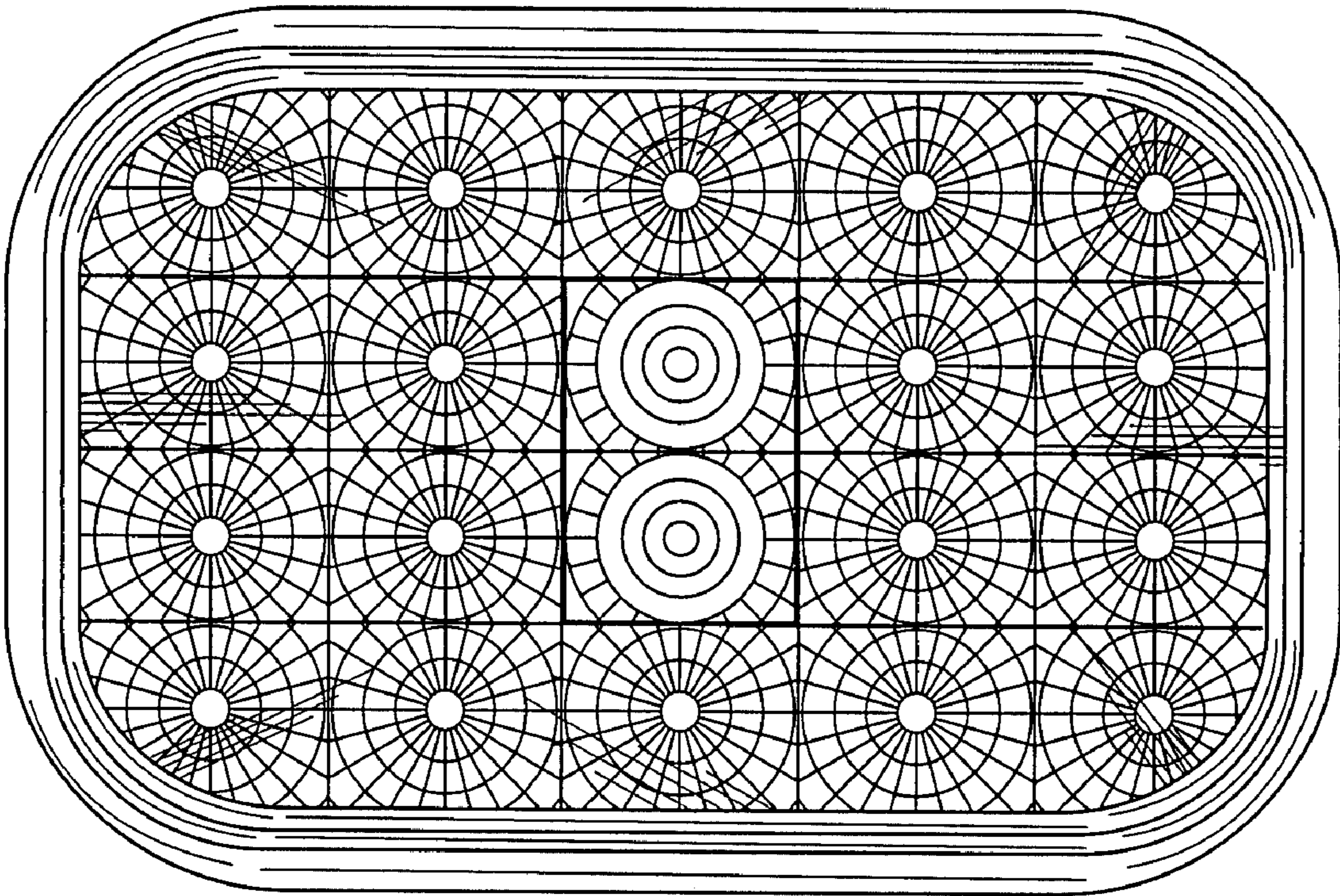


FIG. 2

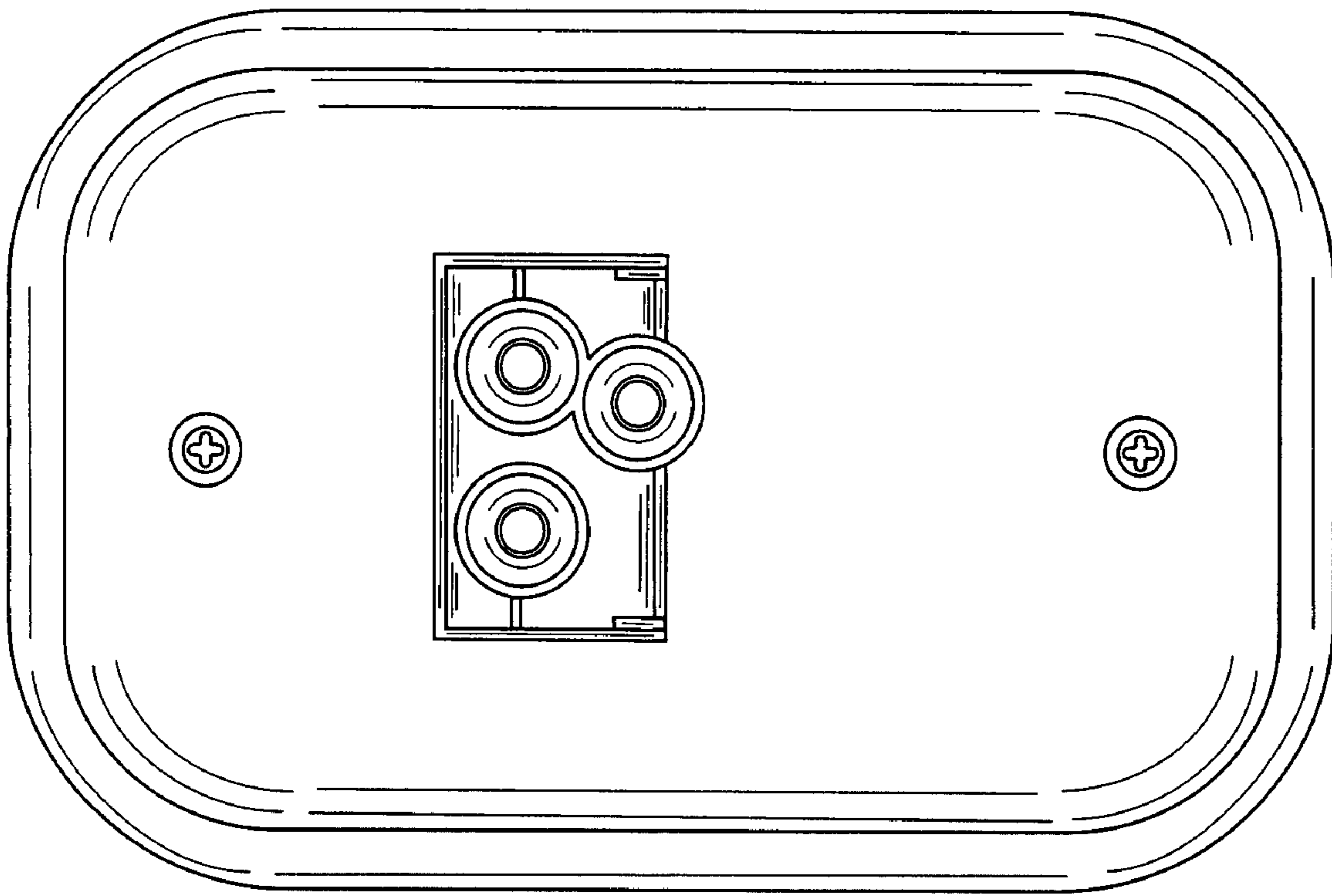


FIG. 3

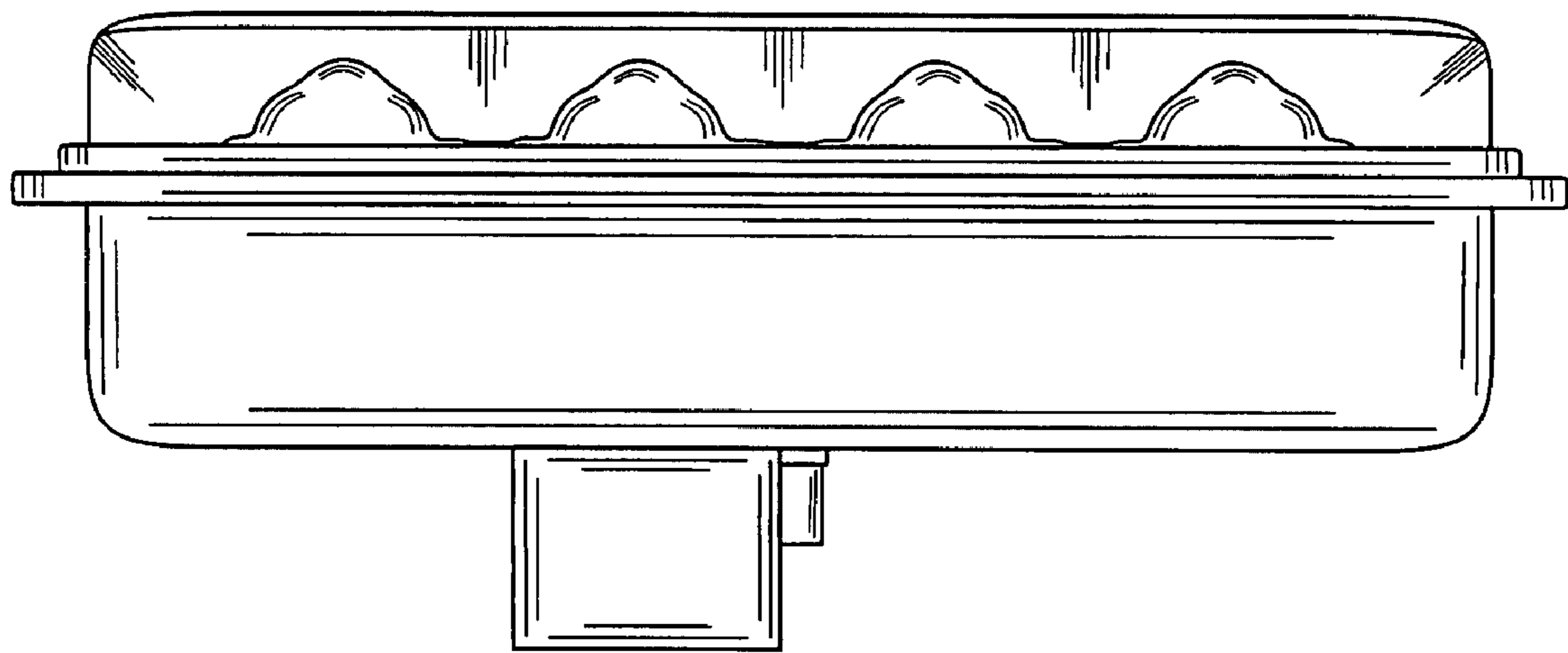


FIG. 4

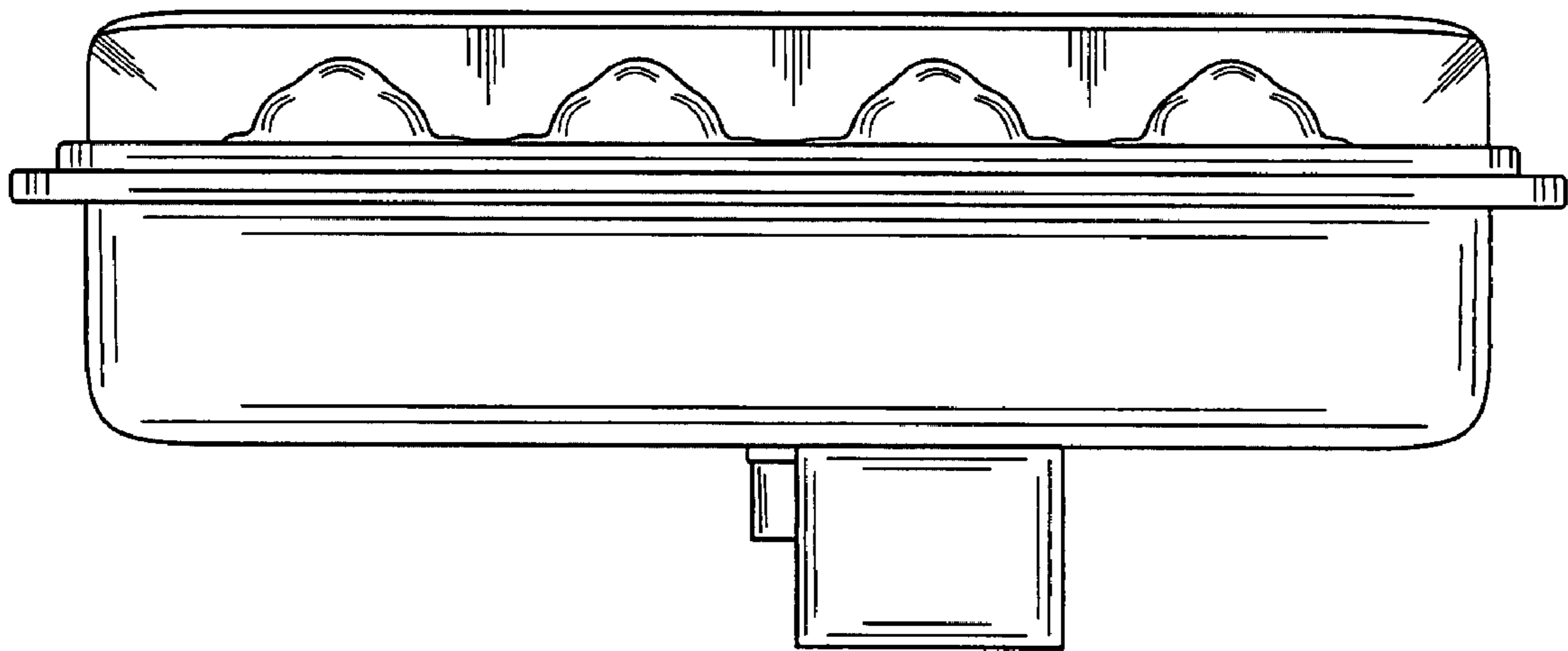


FIG. 5

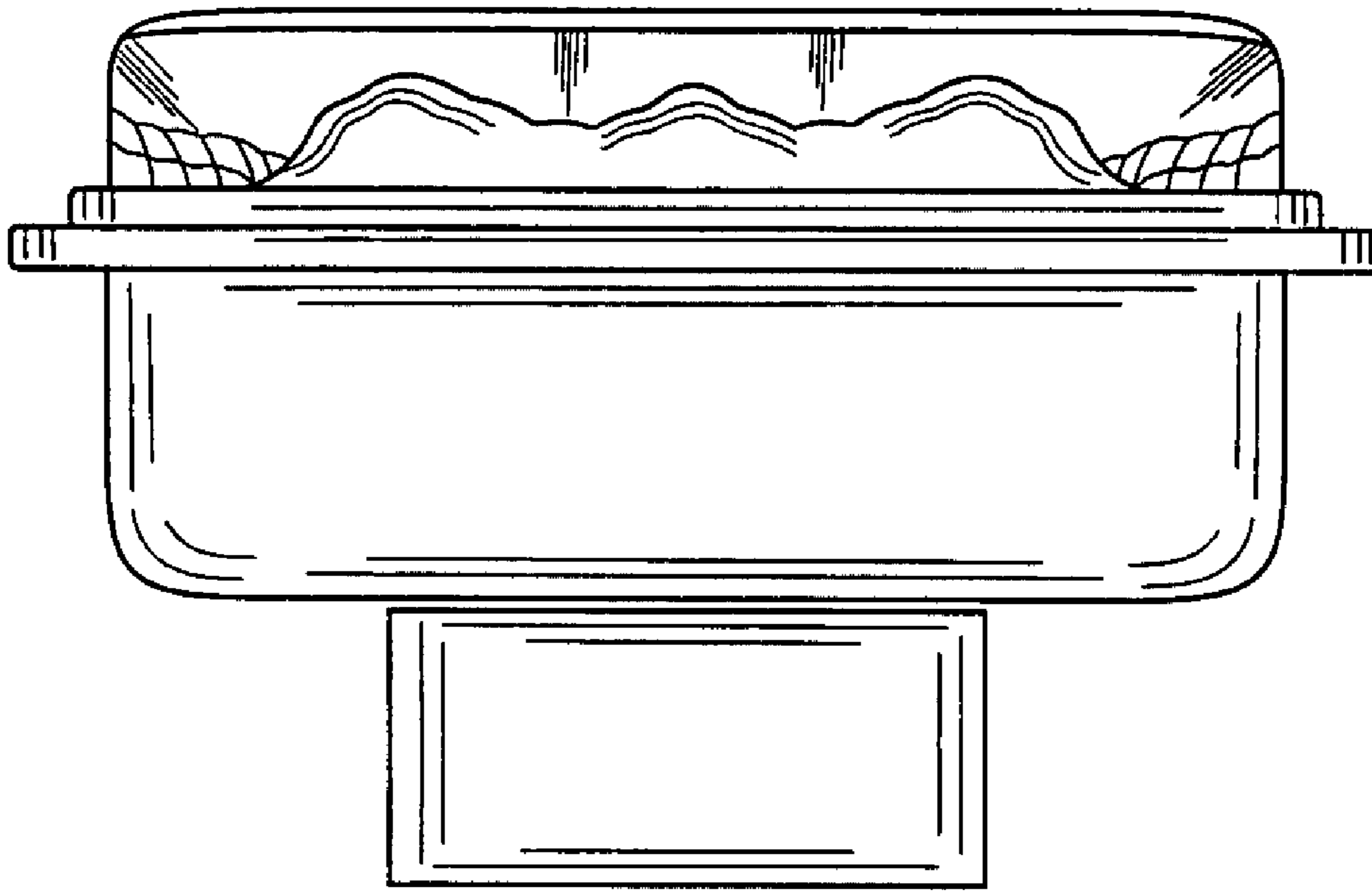


FIG. 6

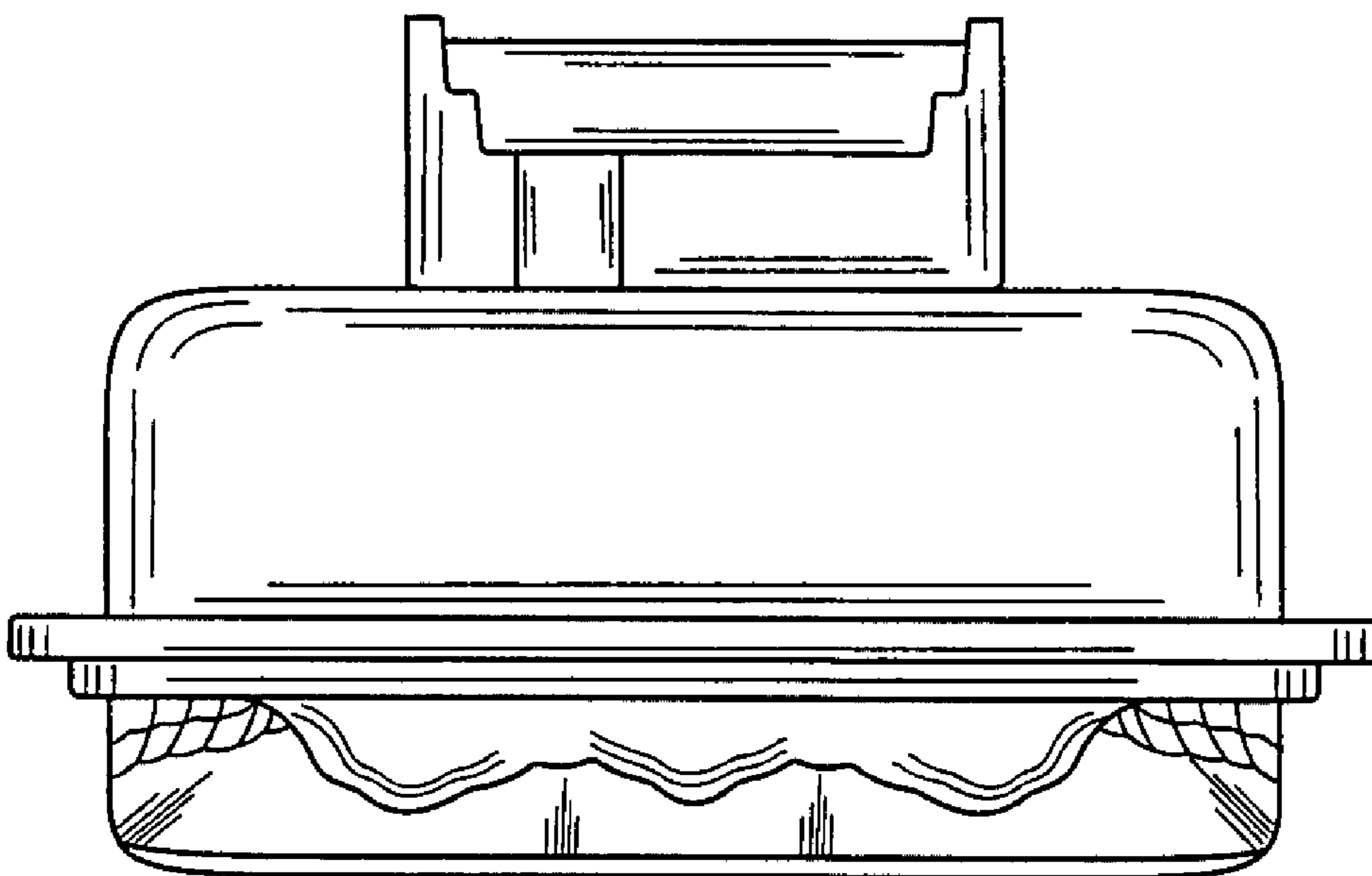


FIG. 7