



US00D570010S

(12) **United States Design Patent** (10) **Patent No.:** **US D570,010 S**
Hsu (45) **Date of Patent:** **** May 27, 2008**

(54) **EXTERIOR SURFACE CONFIGURATION OF A VEHICLE LIGHT**

Primary Examiner—Marcus A. Jackson
(74) *Attorney, Agent, or Firm*—Alexander Chen, Esq

(76) Inventor: **Hong Ming Hsu**, No 152, Sec 2,
Funong St. East District, Tainan City
(TW) 701

(57) **CLAIM**

The ornamental design for an exterior surface configuration of a vehicle light, as shown and described.

(**) Term: **14 Years**

(21) Appl. No.: **29/292,989**

DESCRIPTION

(22) Filed: **Nov. 7, 2007**

(51) **LOC (8) Cl.** **26-06**

(52) **U.S. Cl.** **D26/28**

(58) **Field of Classification Search** D26/28-36;
362/459-468, 475-478, 485-487

See application file for complete search history.

FIG. 1 is perspective view from the front right of an exterior surface configuration of a vehicle light. The drawings and descriptions represent the left side embodiment. The design also contemplates a mirror symmetrical embodiment on the right side of the vehicle. The dash line included denotes environment and is not part of the claimed design.

(56) **References Cited**

U.S. PATENT DOCUMENTS

D530,029 S * 10/2006 Neufeglise et al. D26/28

D558,367 S * 12/2007 Lukasak et al. D26/28

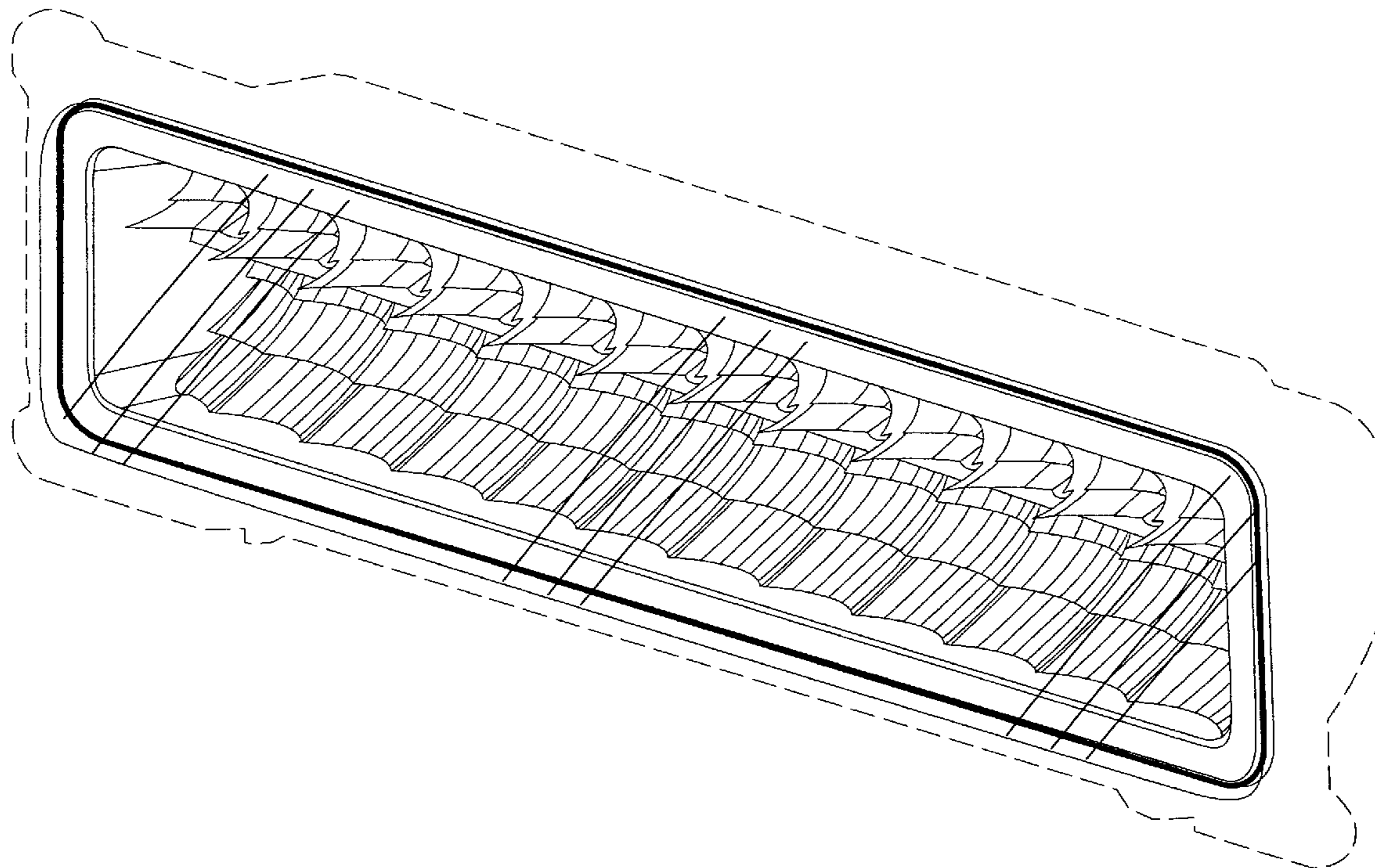
FIG. 2 is a front elevation view thereof;

FIG. 3 is a right elevation view thereof; and,

FIG. 4 is a top view thereof.

* cited by examiner

1 Claim, 4 Drawing Sheets



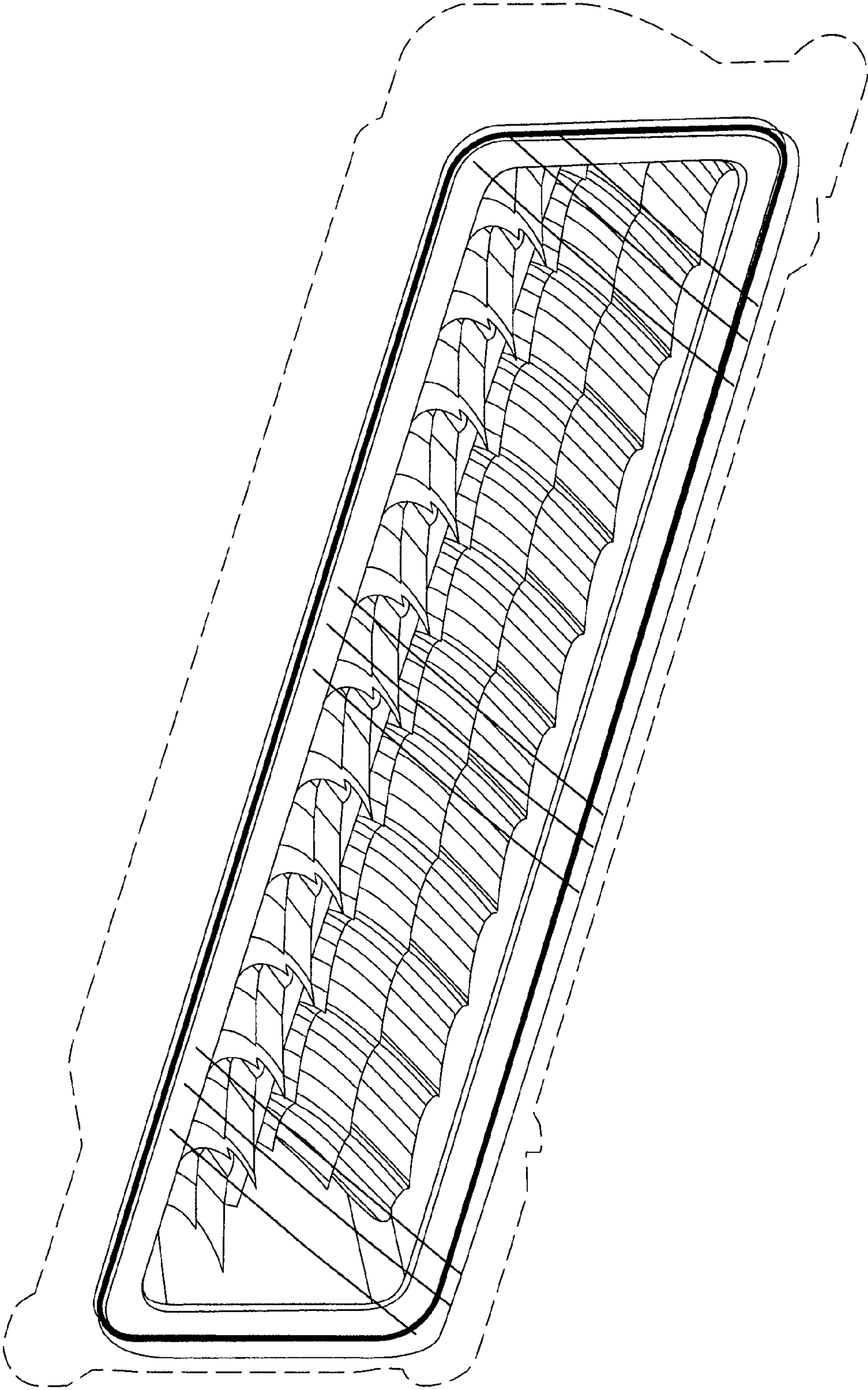


FIG. 1

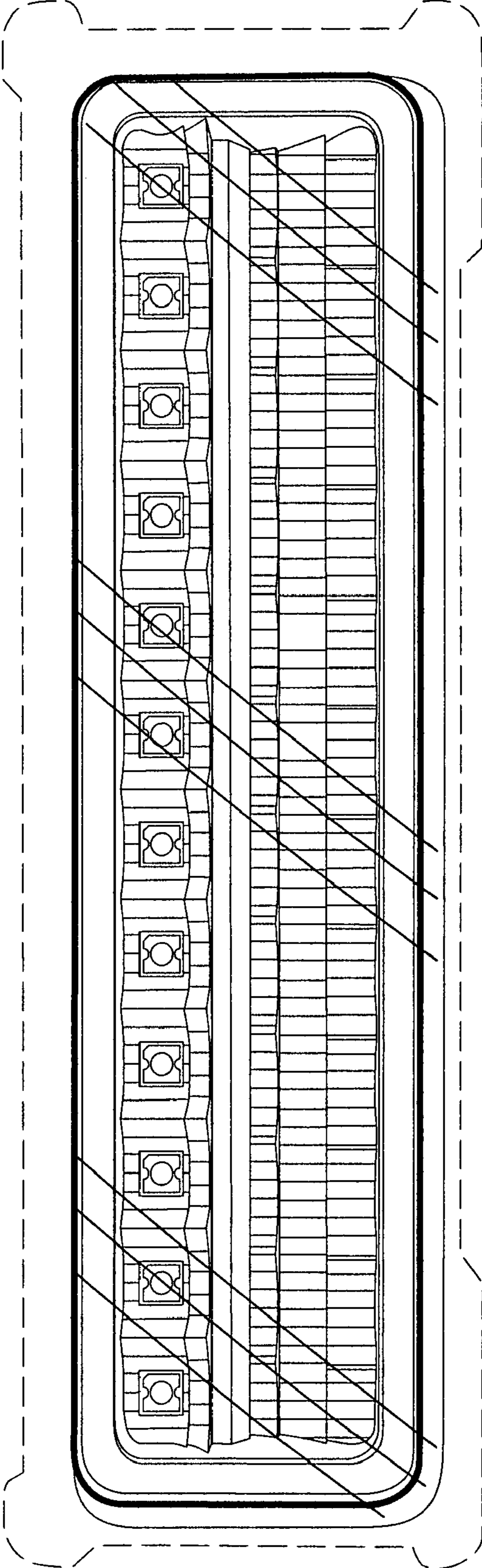


FIG. 2

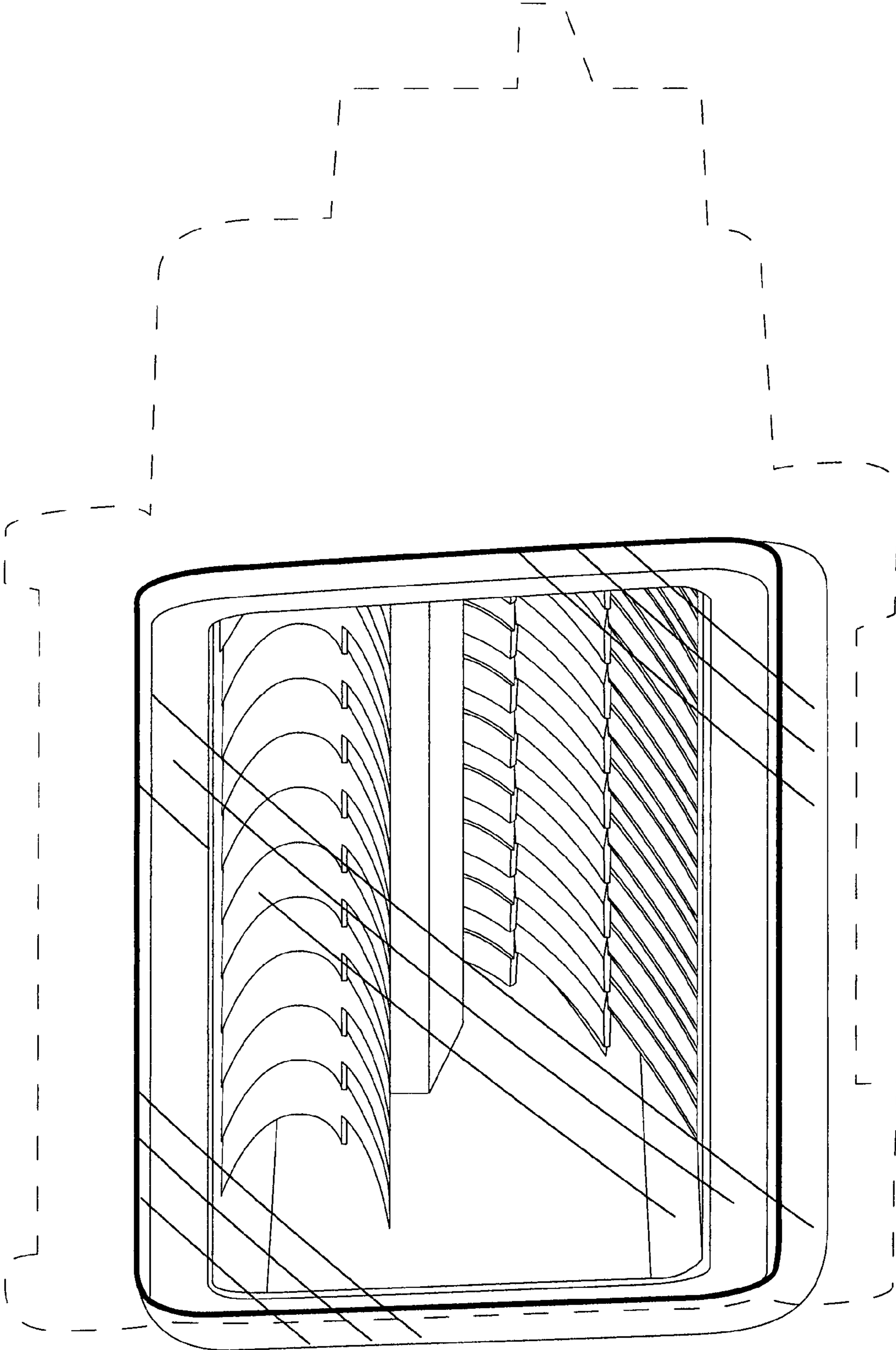


FIG. 3

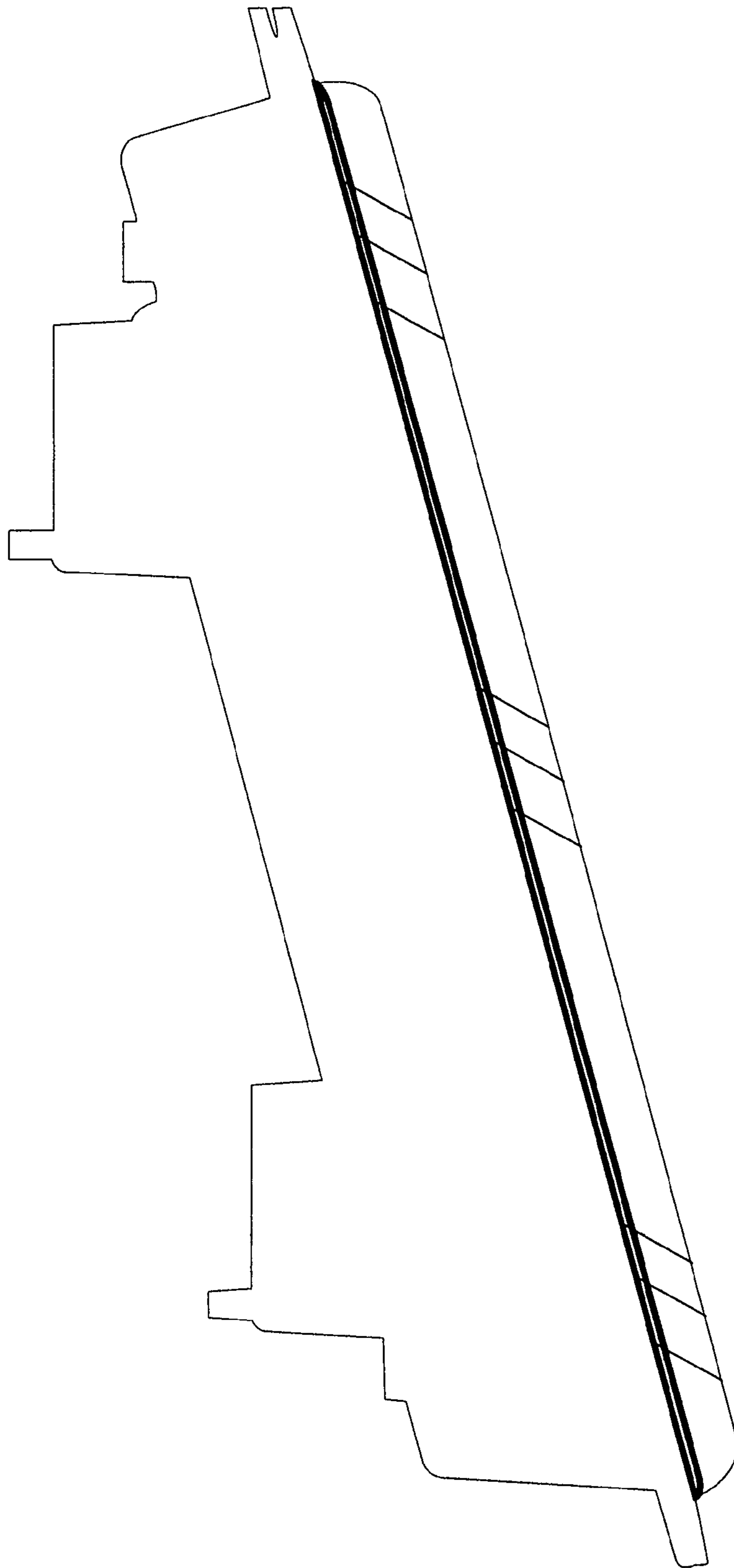


FIG. 4