

US00D570009S

(12) **United States Design Patent**
Kani et al.

(10) **Patent No.:** **US D570,009 S**

(45) **Date of Patent:** **** May 27, 2008**

(54) **SURFACE CONFIGURATION OF A LAMP FOR VEHICLE**

Primary Examiner—Marcus A. Jackson

(74) *Attorney, Agent, or Firm*—Olson & Cepuritis, Ltd.

(75) Inventors: **Gen Kani**, Tokyo (JP); **Yukari Ishiwatari**, Fukaya (JP); **Hideaki Shimada**, Tokyo (JP)

(57) **CLAIM**

The ornamental design for a surface configuration of a lamp for vehicle, as shown and described.

(73) Assignee: **PIAA Corporation**, Tokyo (JP)

(**) Term: **14 Years**

(21) Appl. No.: **29/292,733**

DESCRIPTION

(22) Filed: **Oct. 25, 2007**

(51) **LOC (8) Cl.** **26-06**

(52) **U.S. Cl.** **D26/28**

(58) **Field of Classification Search** D26/28–36;
362/459–468, 475–478, 485–487

See application file for complete search history.

FIG. 1 is a first perspective view of a surface configuration of a lamp for vehicle;

FIG. 2 is a second perspective view thereof;

FIG. 3 is a front view thereof;

FIG. 4 is a rear view thereof;

FIG. 5 is a right side view thereof;

FIG. 6 is a left side view thereof;

FIG. 7 is a top plan view thereof; and,

FIG. 8 is a bottom plan view thereof.

The broken lines showing on the drawing disclosure are for illustrative purposes only and form no part of the claimed design.

(56) **References Cited**

U.S. PATENT DOCUMENTS

D540,966 S * 4/2007 Ueda et al. D26/28

D548,860 S * 8/2007 Wang D26/28

D554,279 S * 10/2007 Jeffries D26/28

OTHER PUBLICATIONS

Pajero Accessories Catalogue brochure printed in Jun. 1992 published during 1992 (exact publication date unknown).

* cited by examiner

1 Claim, 8 Drawing Sheets

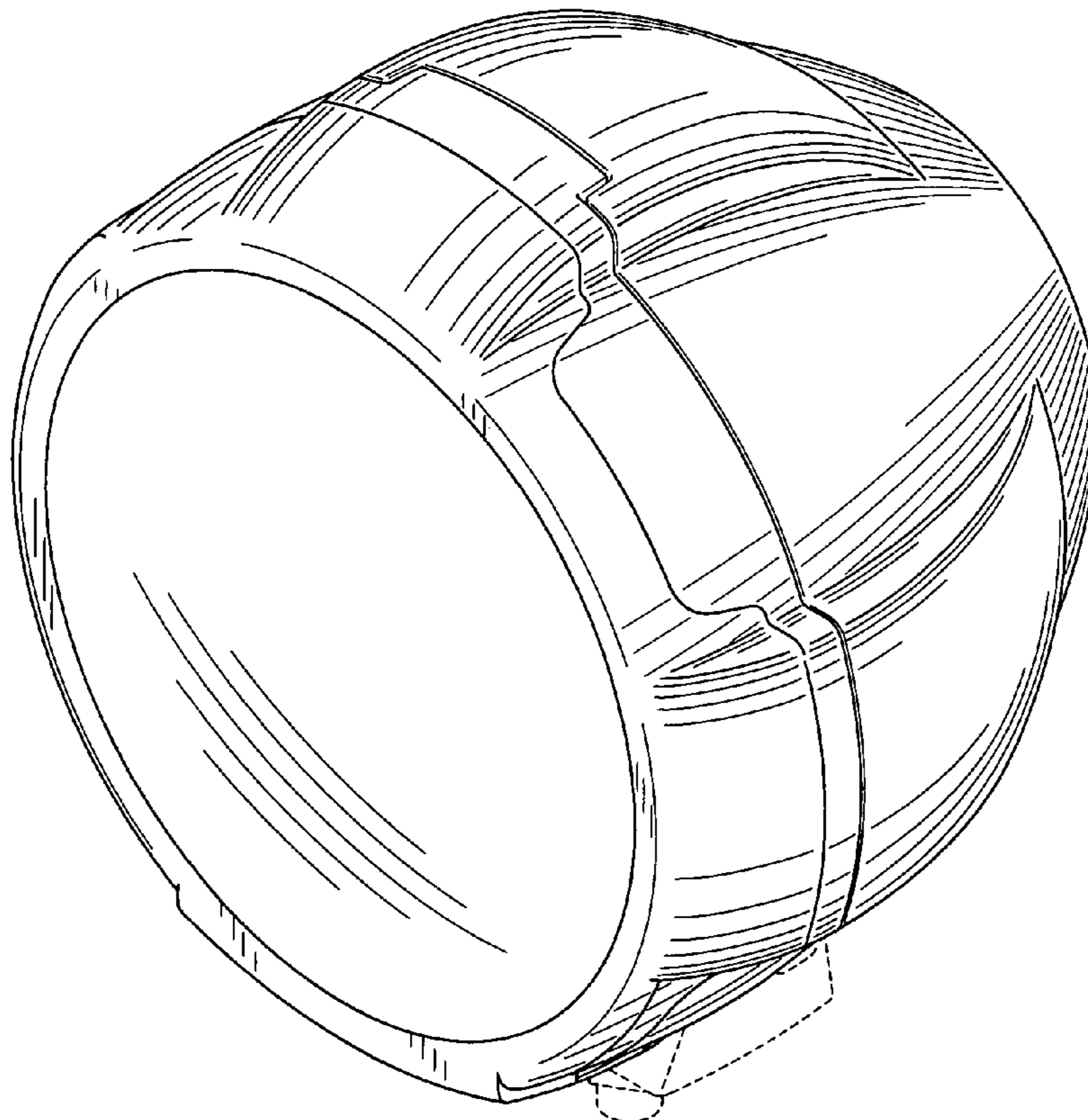


Fig.1

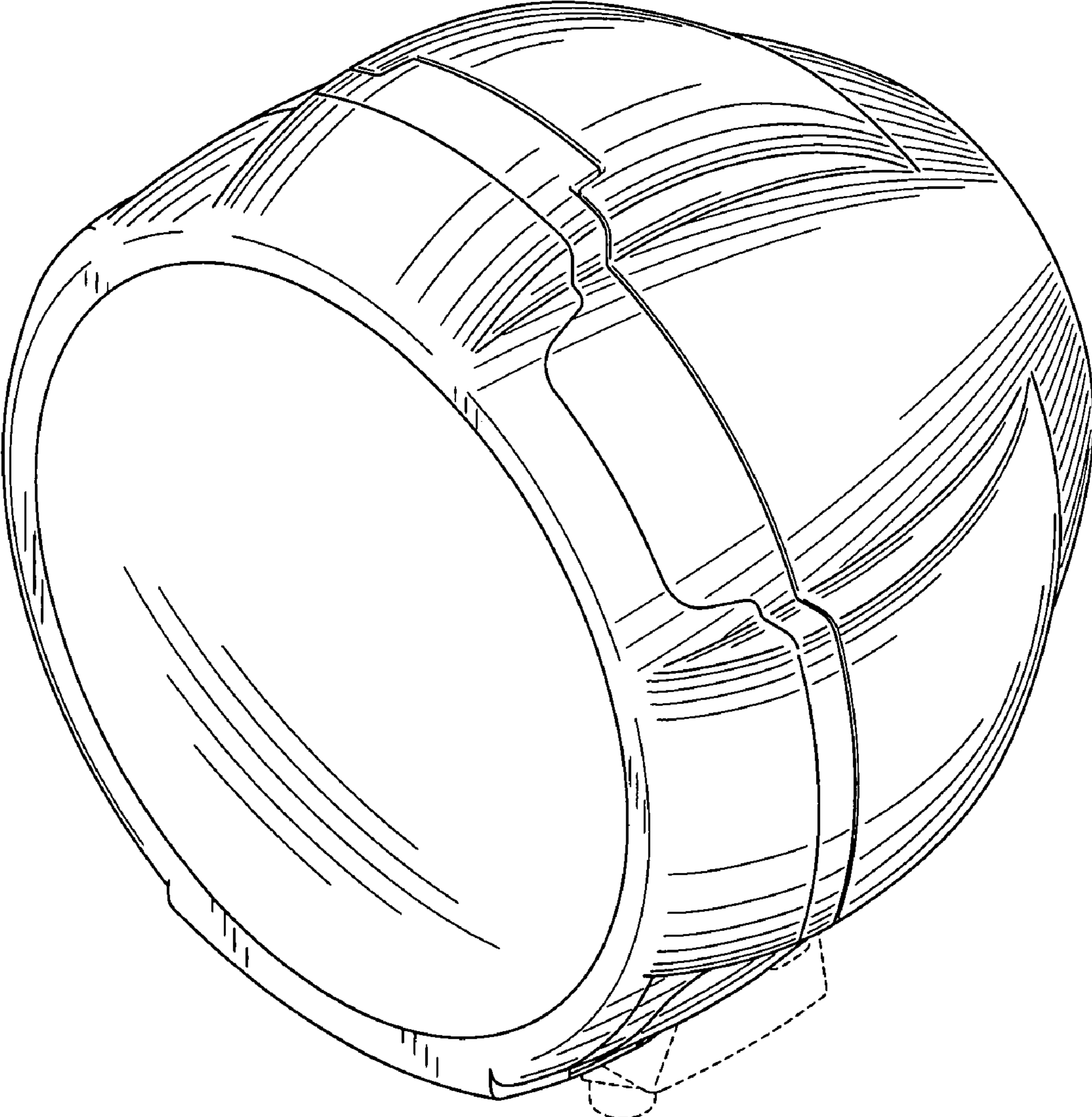


Fig.2

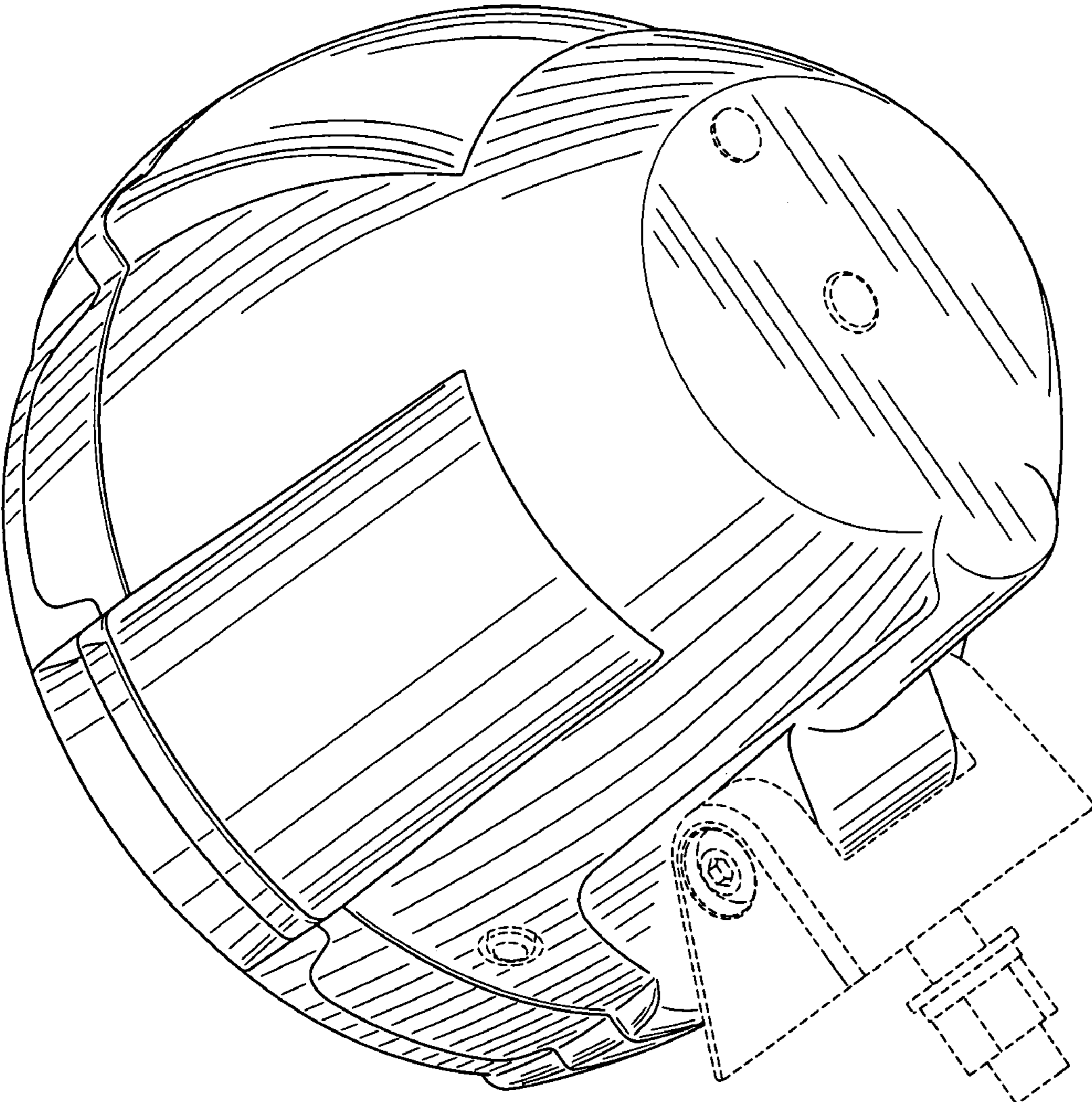


Fig.3

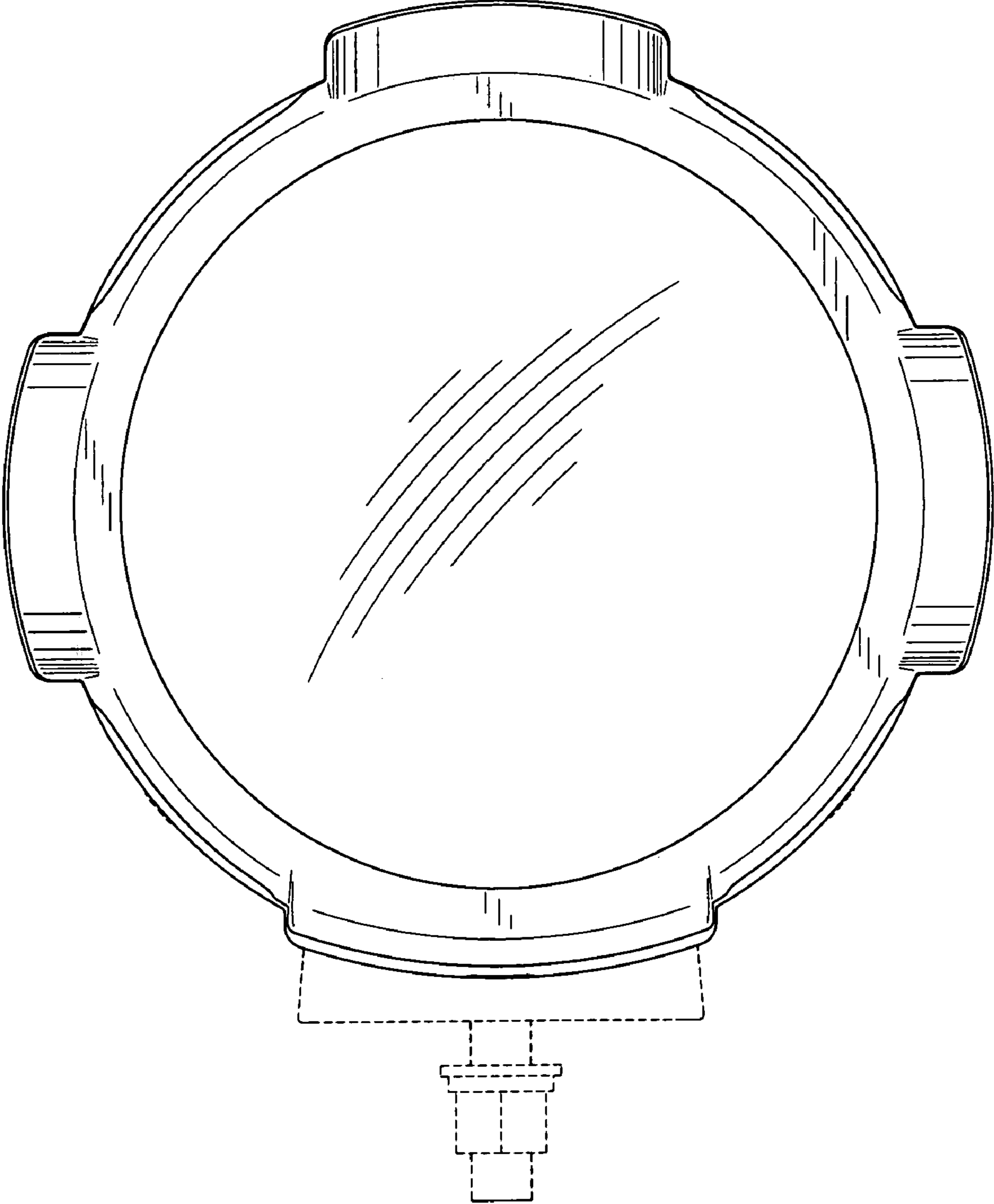


Fig.4

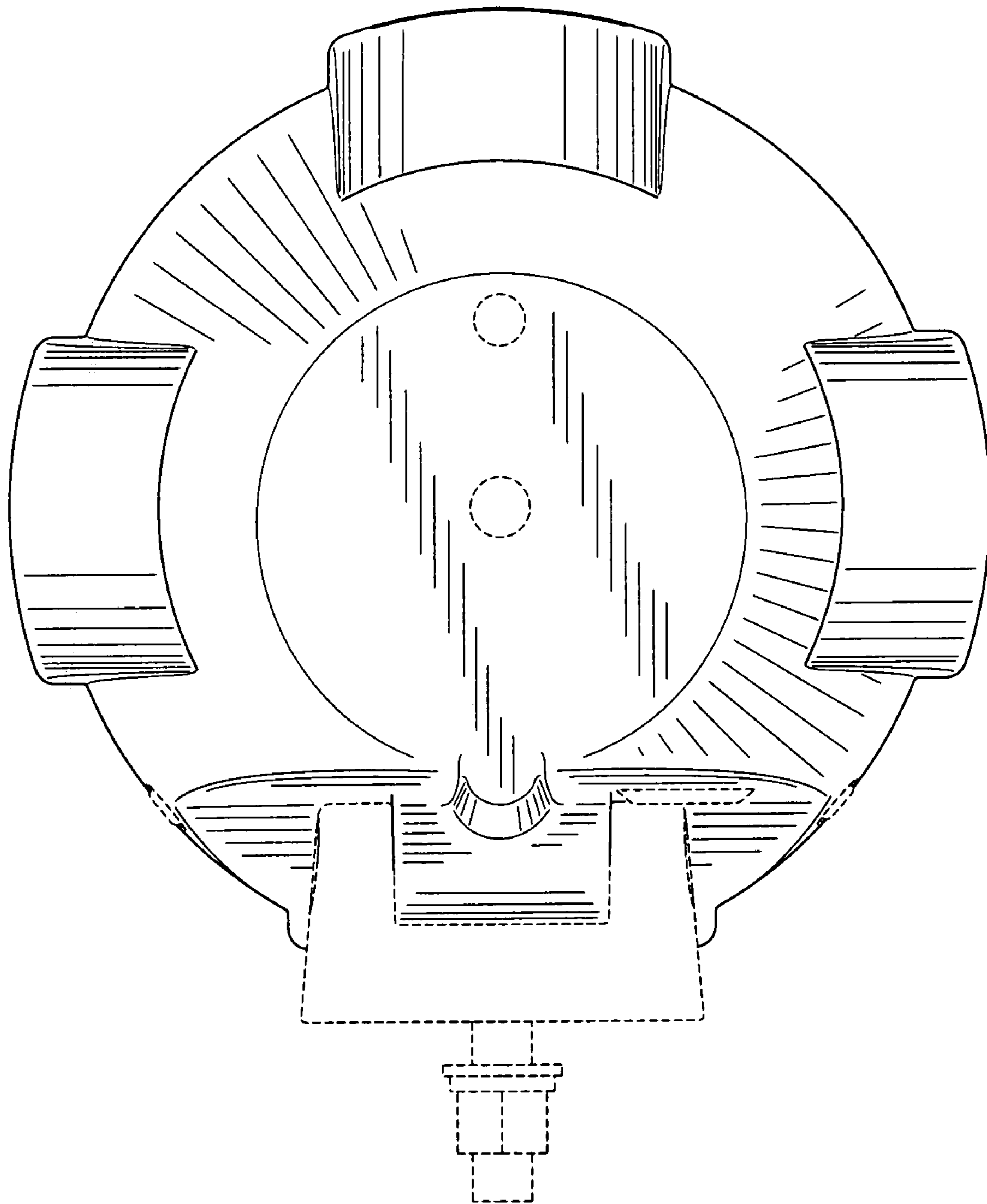


Fig.5

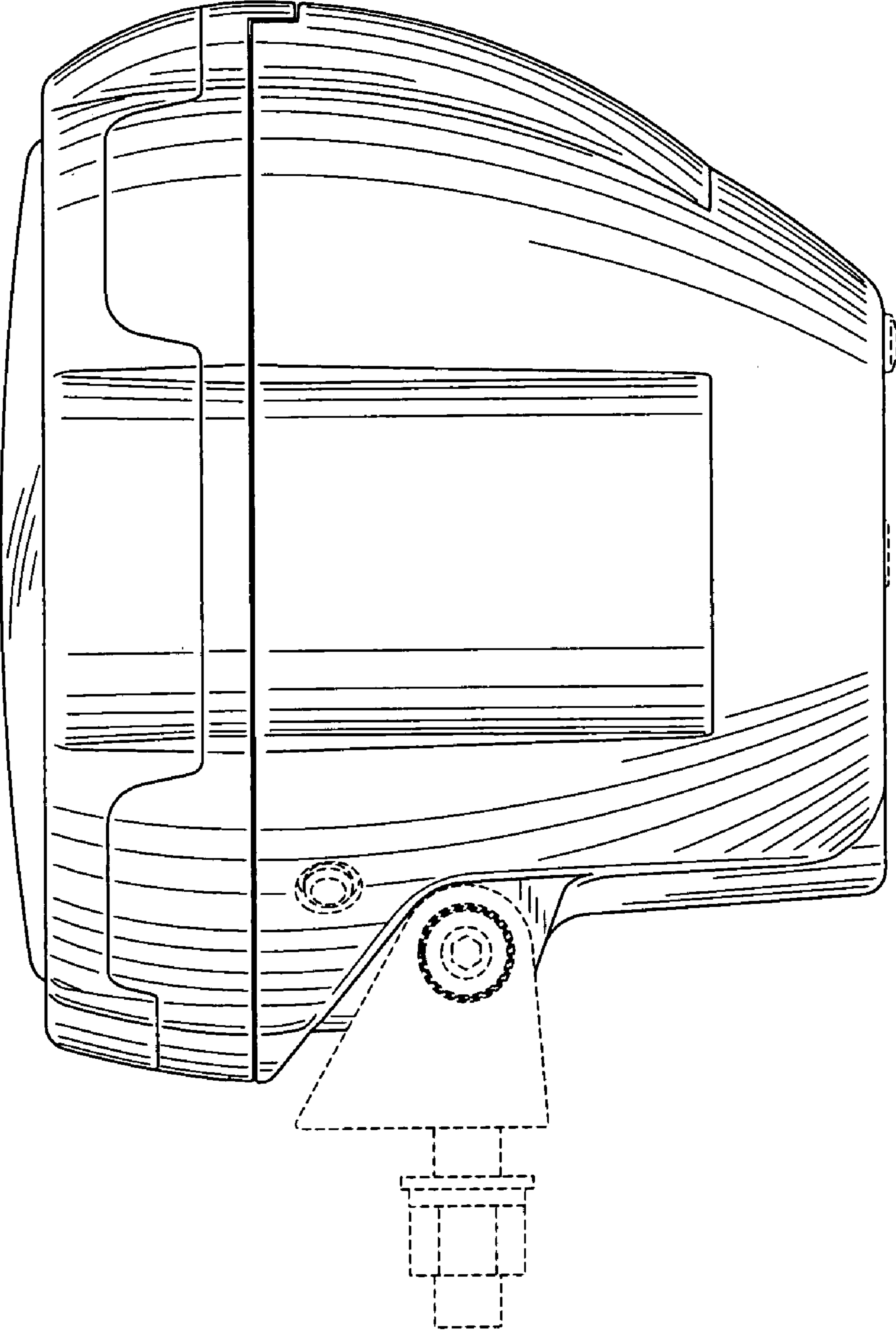


Fig.6

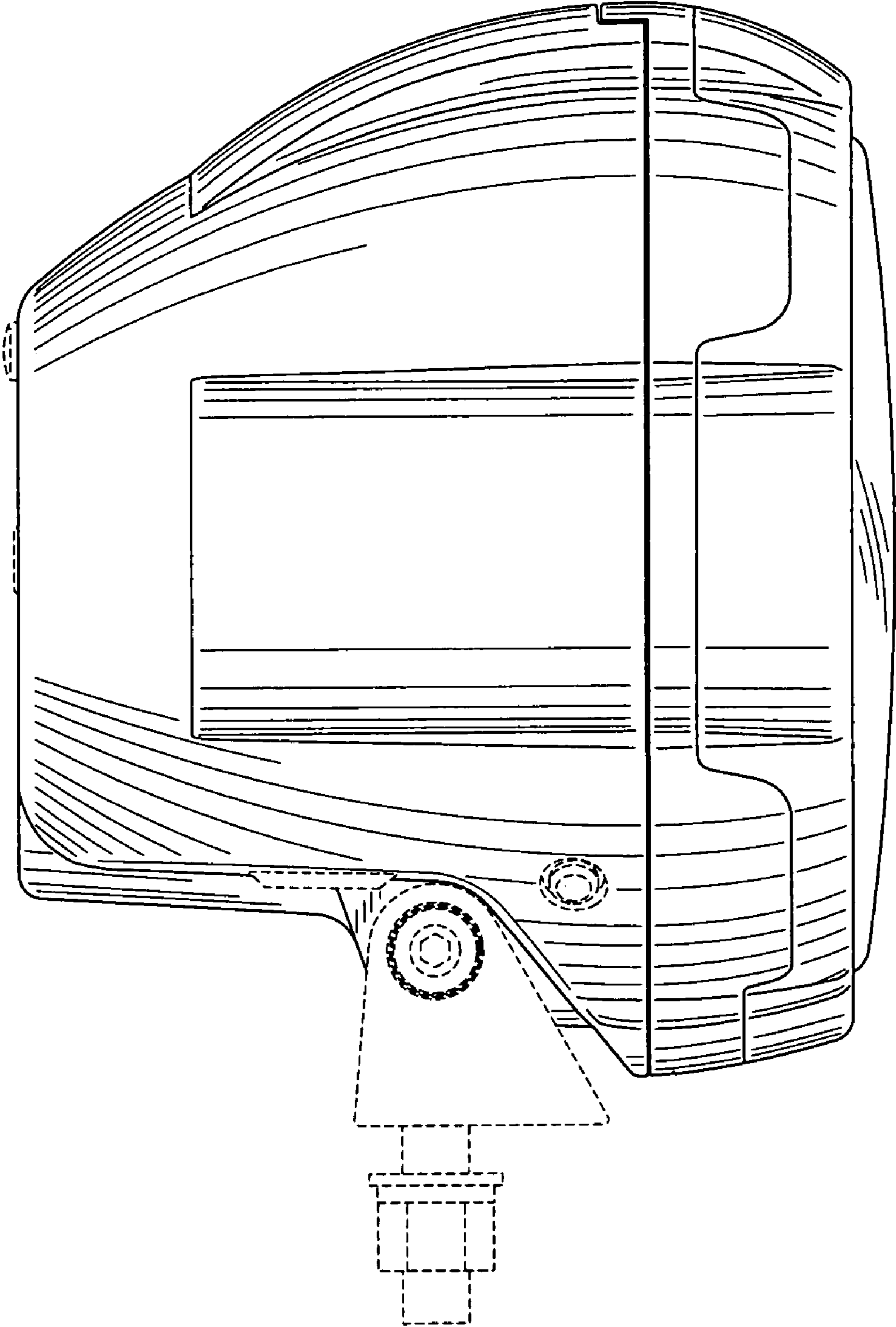


Fig.7

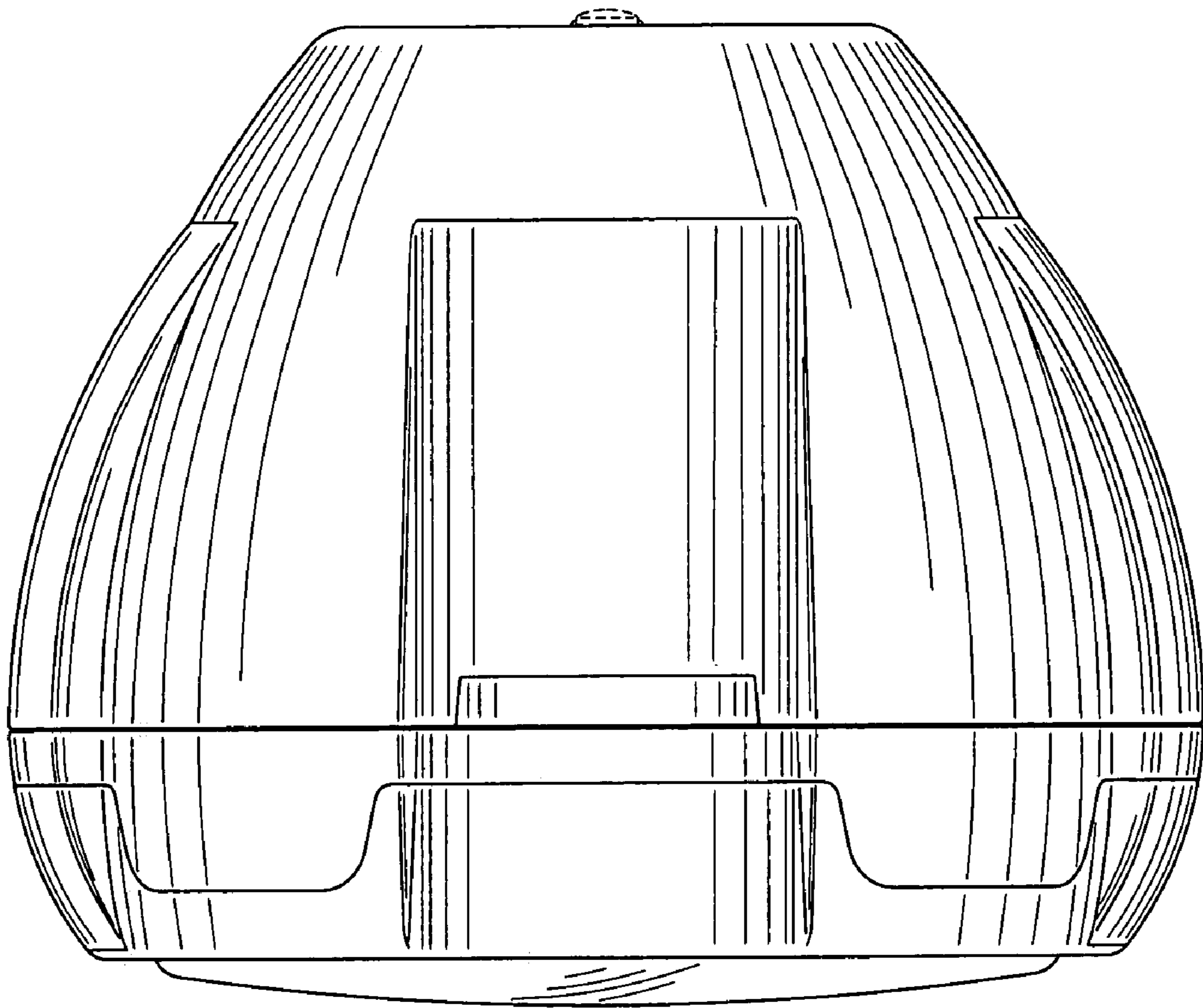


Fig.8

