

US00D570007S

(12) **United States Design Patent**
Hsu

(10) **Patent No.:** **US D570,007 S**

(45) **Date of Patent:** **** May 27, 2008**

(54) **EXTERIOR SURFACE CONFIGURATION OF
A VEHICLE FRONT LIGHT**

D542,442 S * 5/2007 Matsunami D26/28
D552,768 S * 10/2007 Leclercq D26/28

(76) Inventor: **Hong Ming Hsu**, No 152, Sec 2,
Funong St. East District, Tainan City
(TW) 701

* cited by examiner

Primary Examiner—Marcus A. Jackson
(74) *Attorney, Agent, or Firm*—Alexander Chen, Esq.

(**) Term: **14 Years**

(57) **CLAIM**

(21) Appl. No.: **29/283,057**

The ornamental design for an exterior surface configuration
of a vehicle front light, as shown and described.

(22) Filed: **Aug. 5, 2007**

DESCRIPTION

(51) **LOC (8) Cl.** **26-06**

(52) **U.S. Cl.** **D26/28**

(58) **Field of Classification Search** D26/28-36;
362/459-468, 475-478, 485-487
See application file for complete search history.

FIG. 1 is perspective view from the front right of an exterior
surface configuration of a vehicle front light. The drawings
and descriptions represent the right side embodiment. The
design also contemplates a mirror symmetrical embodiment
on the left side of the vehicle. The dash line included denotes
environment and is not part of the claimed design

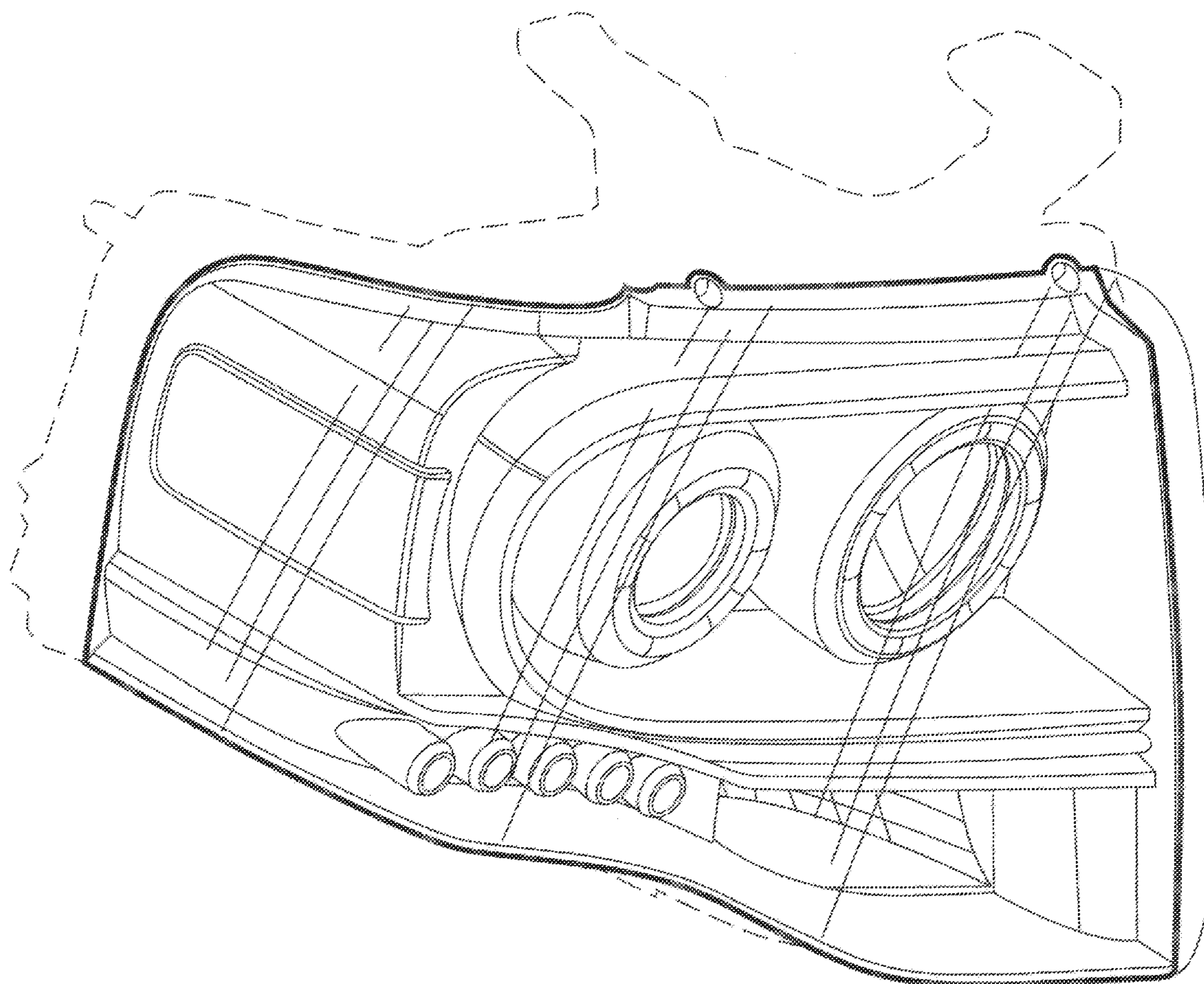
(56) **References Cited**

U.S. PATENT DOCUMENTS

D506,842 S * 6/2005 Nagura et al. D26/28
D524,466 S * 7/2006 Essig D26/28
D529,208 S * 9/2006 Ikeda D26/28
D538,954 S * 3/2007 Pfeiffer D26/28

FIG. 2 is a front elevation view thereof;
FIG. 3 is a right elevation view thereof; and,
FIG. 4 is a top view thereof.

1 Claim, 4 Drawing Sheets



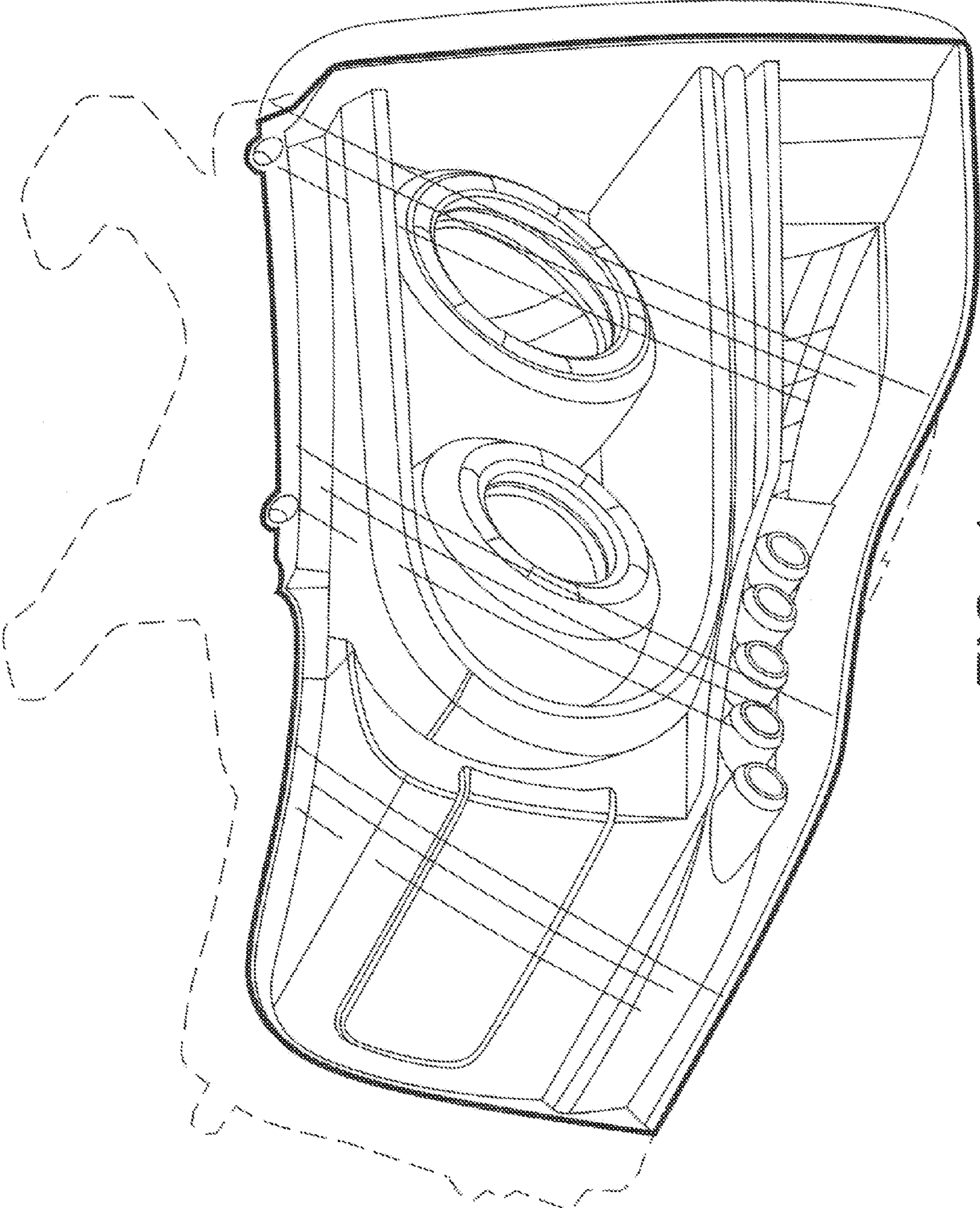


FIG. 1

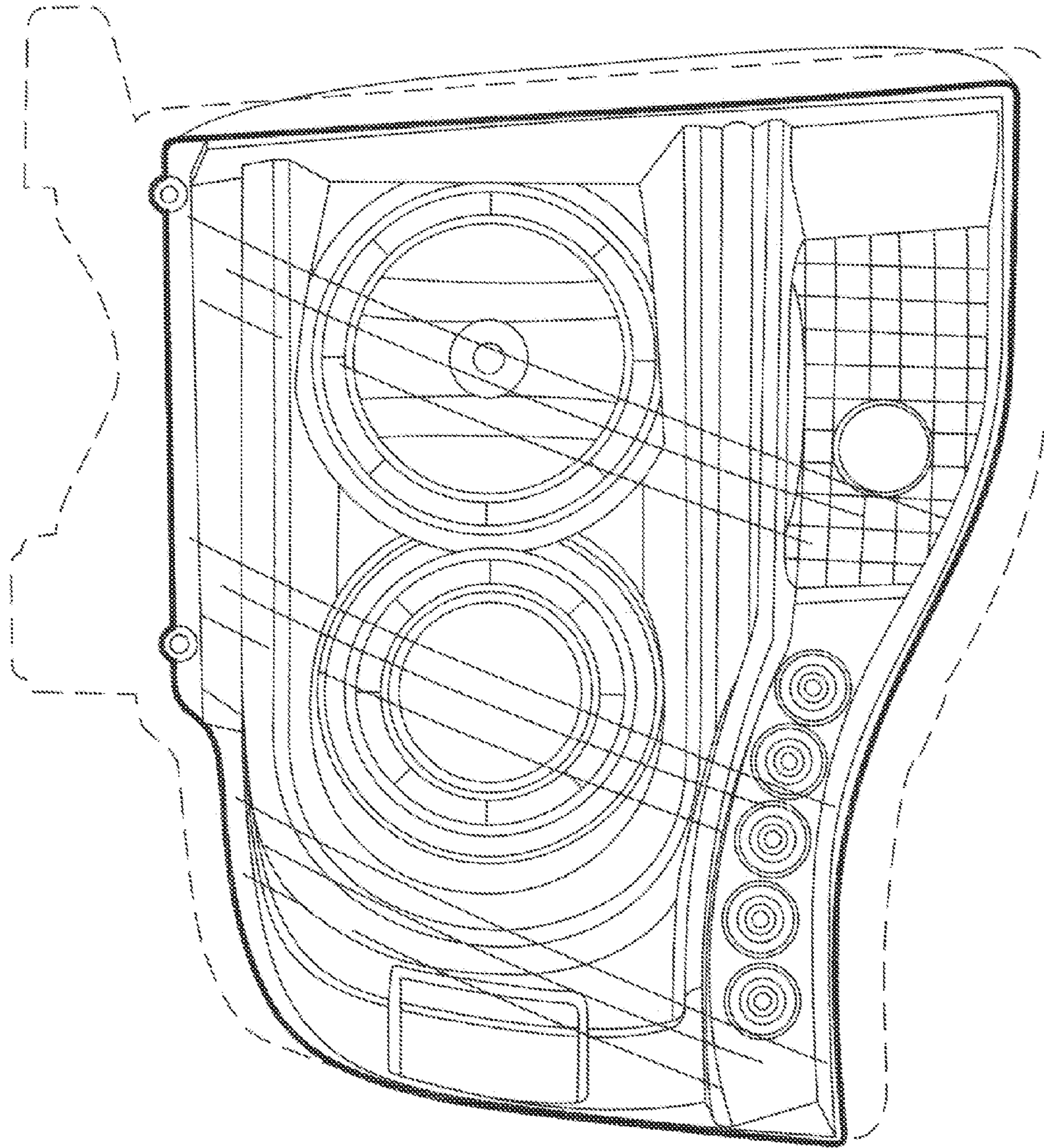


FIG. 2

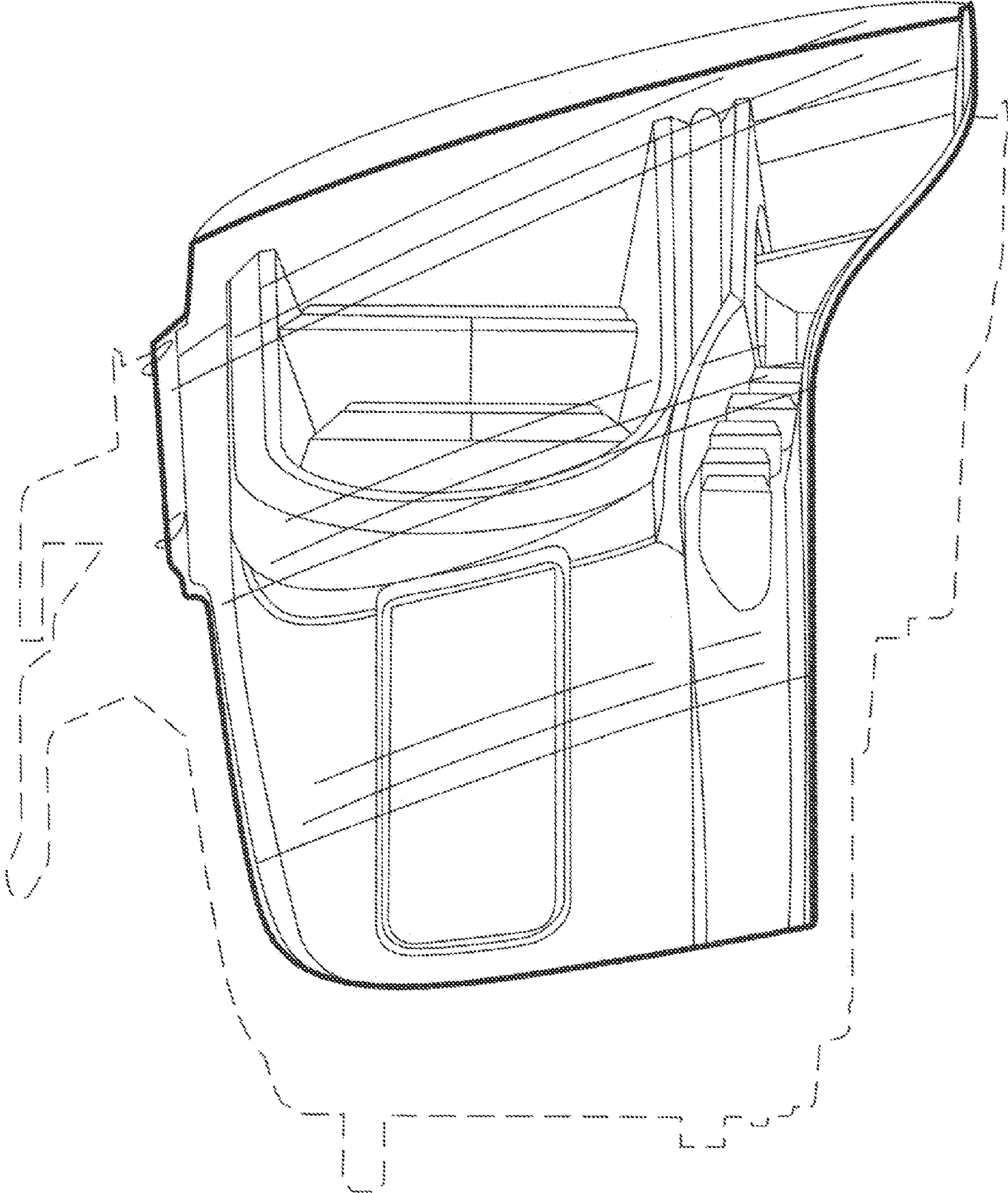


FIG. 3

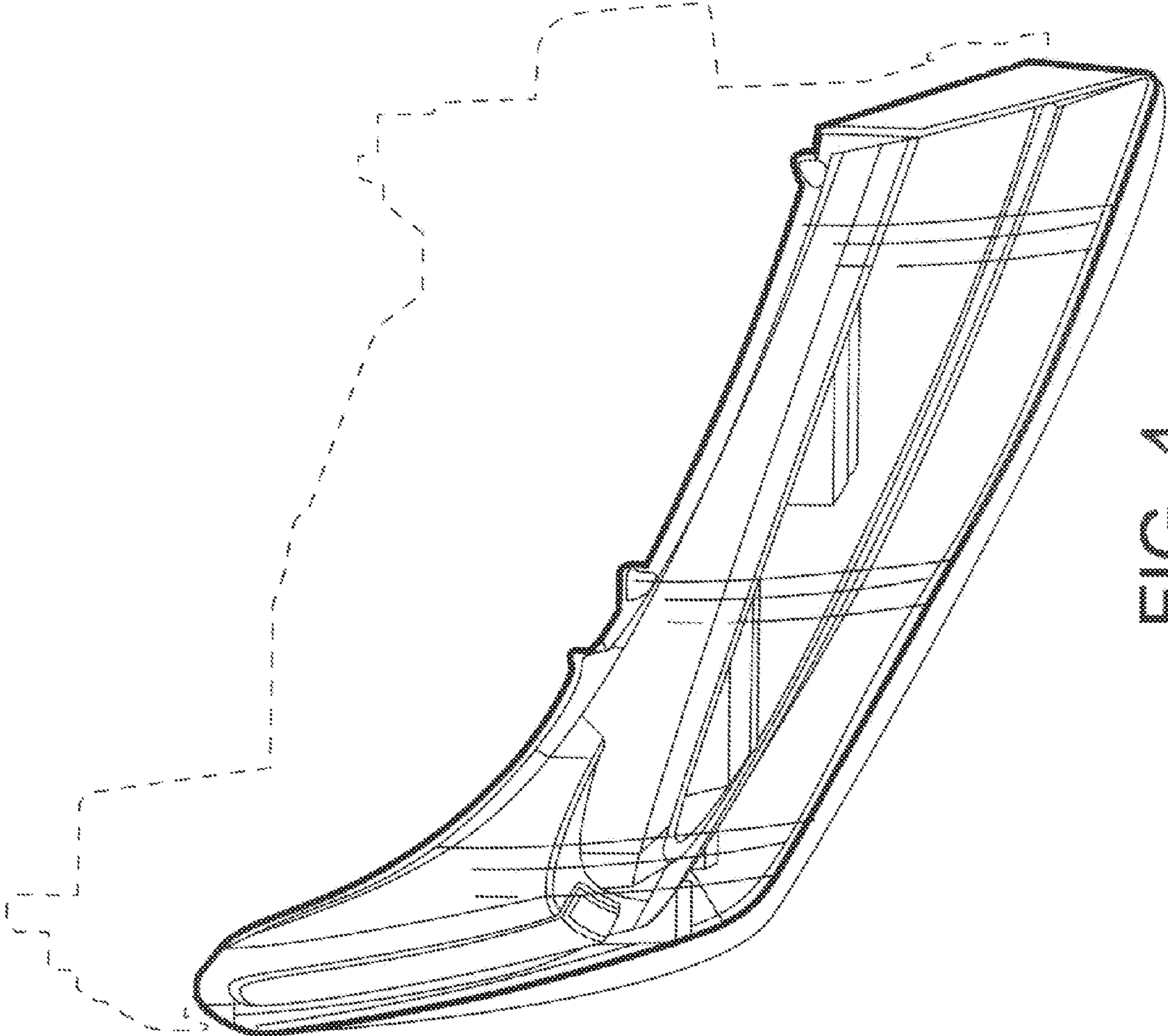


FIG. 4