

US00D569998S

(12) **United States Design Patent** (10) **Patent No.:** **US D569,998 S**  
**Mertinooke et al.** (45) **Date of Patent:** **\*\* May 27, 2008**

(54) **WEATHERSEAL BASE**

(75) Inventors: **Peter Mertinooke**, Amesbury, MA (US); **John E. Huntress**, Brentwood, NH (US); **John St. John**, Coraopolis, PA (US)

(73) Assignee: **Amesbury Group, Inc.**, Amesbury, MA (US)

(\*\*) Term: **14 Years**

(21) Appl. No.: **29/273,148**

(22) Filed: **Feb. 26, 2007**

(51) **LOC (8) Cl.** ..... **25-01**

(52) **U.S. Cl.** ..... **D25/121**

(58) **Field of Classification Search** ..... D25/121;  
49/483.1, 490.1, 493.1, 498.1, 475.1; 52/716.2,  
52/717.03

See application file for complete search history.

(56) **References Cited**

U.S. PATENT DOCUMENTS

2,657,438	A	11/1953	Spraragen	
2,707,812	A	5/1955	Lewis	
2,931,434	A	4/1960	Steel	
3,411,245	A	11/1968	Sturtevant	
4,676,856	A	6/1987	Shigeki et al.	
4,945,680	A	8/1990	Giguere	
5,165,201	A *	11/1992	Mishima et al.	49/490.1
5,269,101	A	12/1993	Nozaki et al.	
5,283,096	A *	2/1994	Greenberg et al.	428/67
5,361,542	A *	11/1994	Dettloff	49/477.1
5,634,644	A	6/1997	Guillon	
6,341,449	B1	1/2002	Stahl	
6,487,820	B1	12/2002	Nakajima et al.	

6,530,190	B2	3/2003	Conachen	
6,598,349	B1	7/2003	Balbaugh et al.	
6,722,082	B1	4/2004	Peterson et al.	
6,874,281	B2	4/2005	Fujita et al.	
6,889,985	B2	5/2005	Bonds	
D518,900	S *	4/2006	Barnett	..... D25/119

FOREIGN PATENT DOCUMENTS

JP	061 070 86	4/1994
JP	2000 118 323	4/2000
JP	2003 094 951	4/2003

\* cited by examiner

*Primary Examiner*—Doris Clark

(74) *Attorney, Agent, or Firm*—Goodwin Procter LLP

(57) **CLAIM**

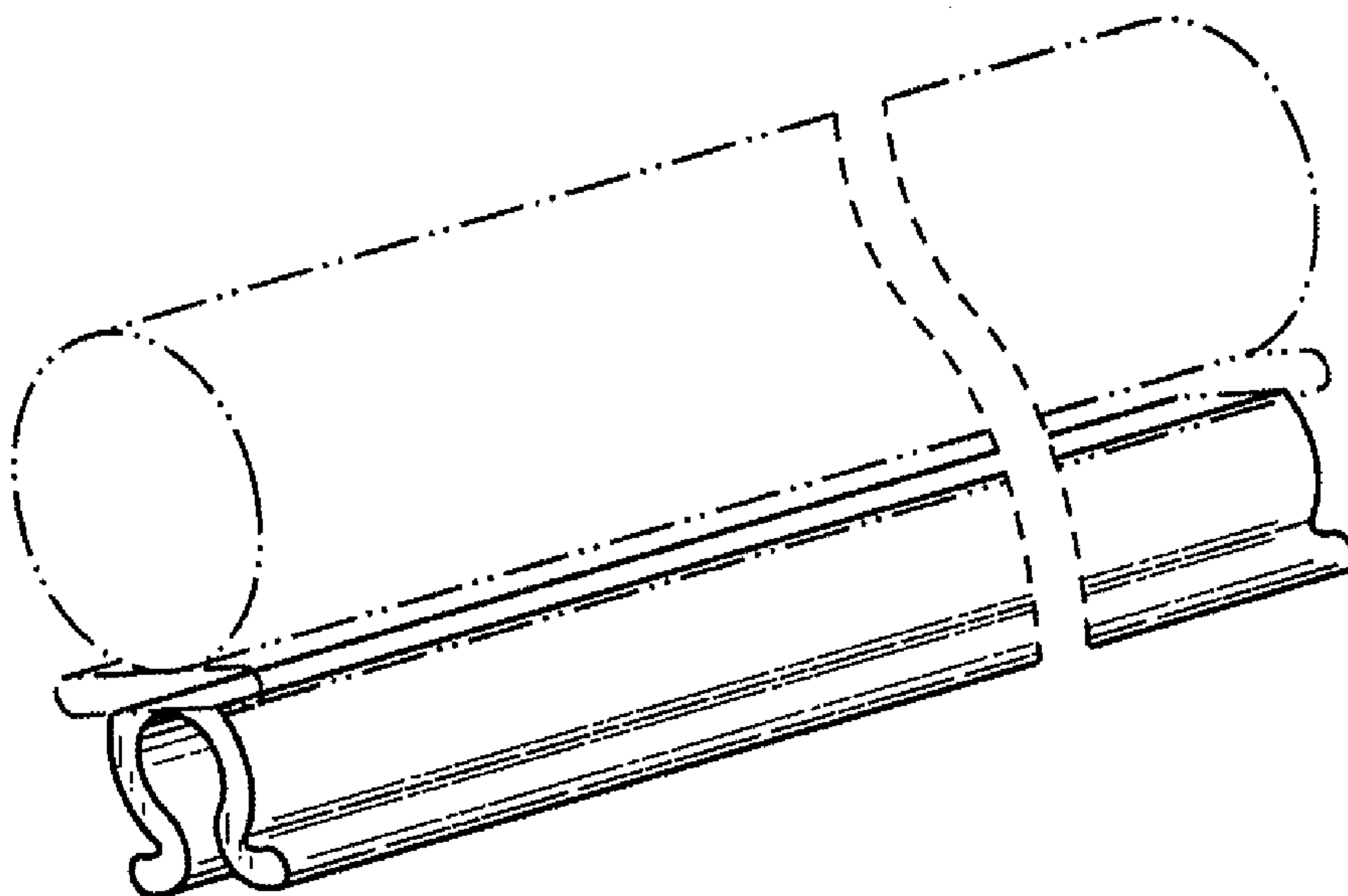
The ornamental design for a weatherseal base, as shown and described.

**DESCRIPTION**

FIG. 1 is a perspective view of the weatherseal base;  
 FIG. 2 is a right end view of the weatherseal base;  
 FIG. 3 is a left end view of the weatherseal base;  
 FIG. 4 is a right side view of the weatherseal base;  
 FIG. 5 is a left side view of the weatherseal base;  
 FIG. 6 is top view of the weatherseal base; and,  
 FIG. 7 is a bottom view of the weatherseal base.

The weatherseal base is shown broken along its length to indicate that the weatherseal base may be formed in any length. The weatherseal base profile is shown in uneven broken lines for illustrative purposes only and forms no part of the claimed design.

**1 Claim, 2 Drawing Sheets**



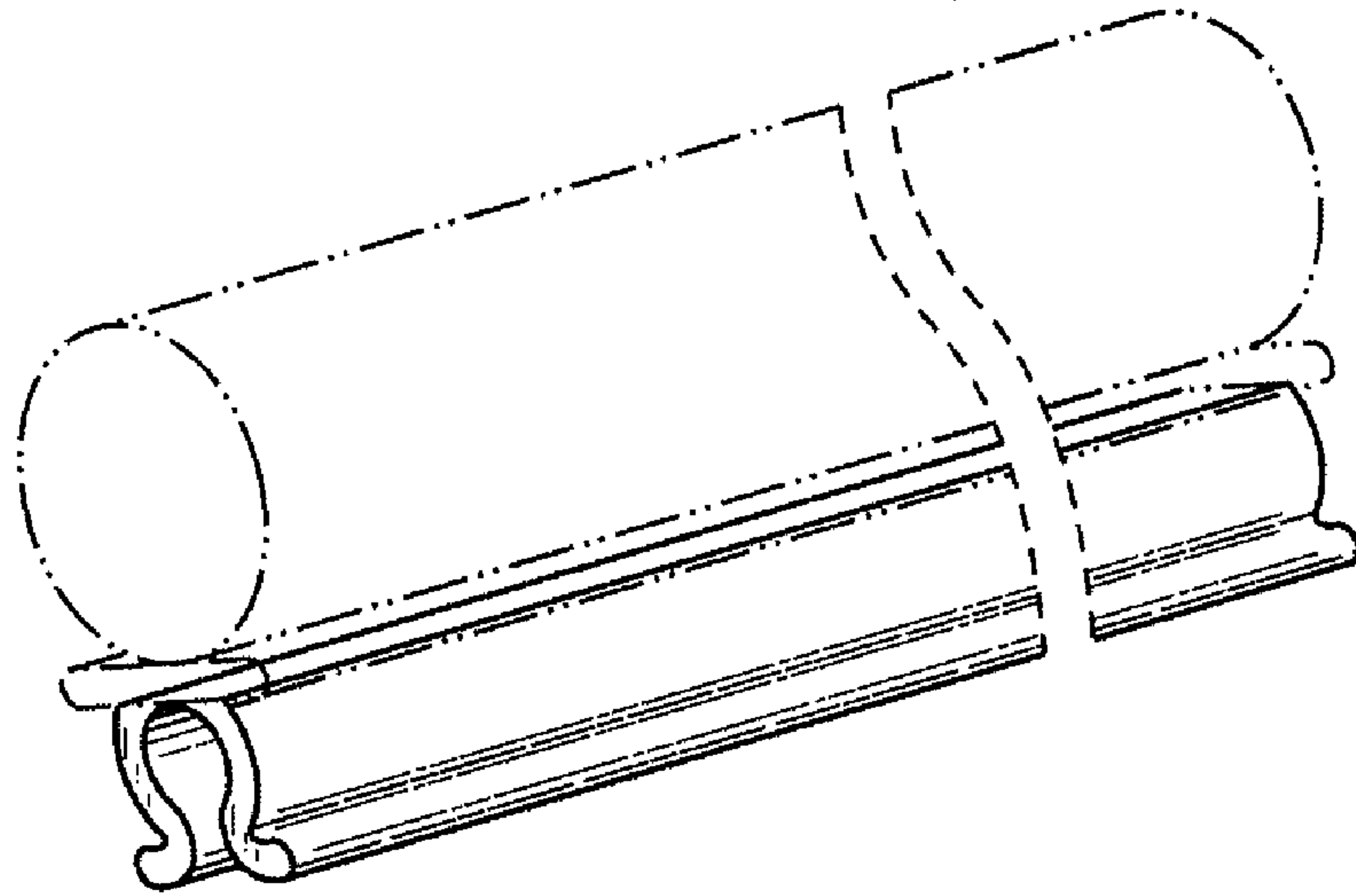


FIG. 1

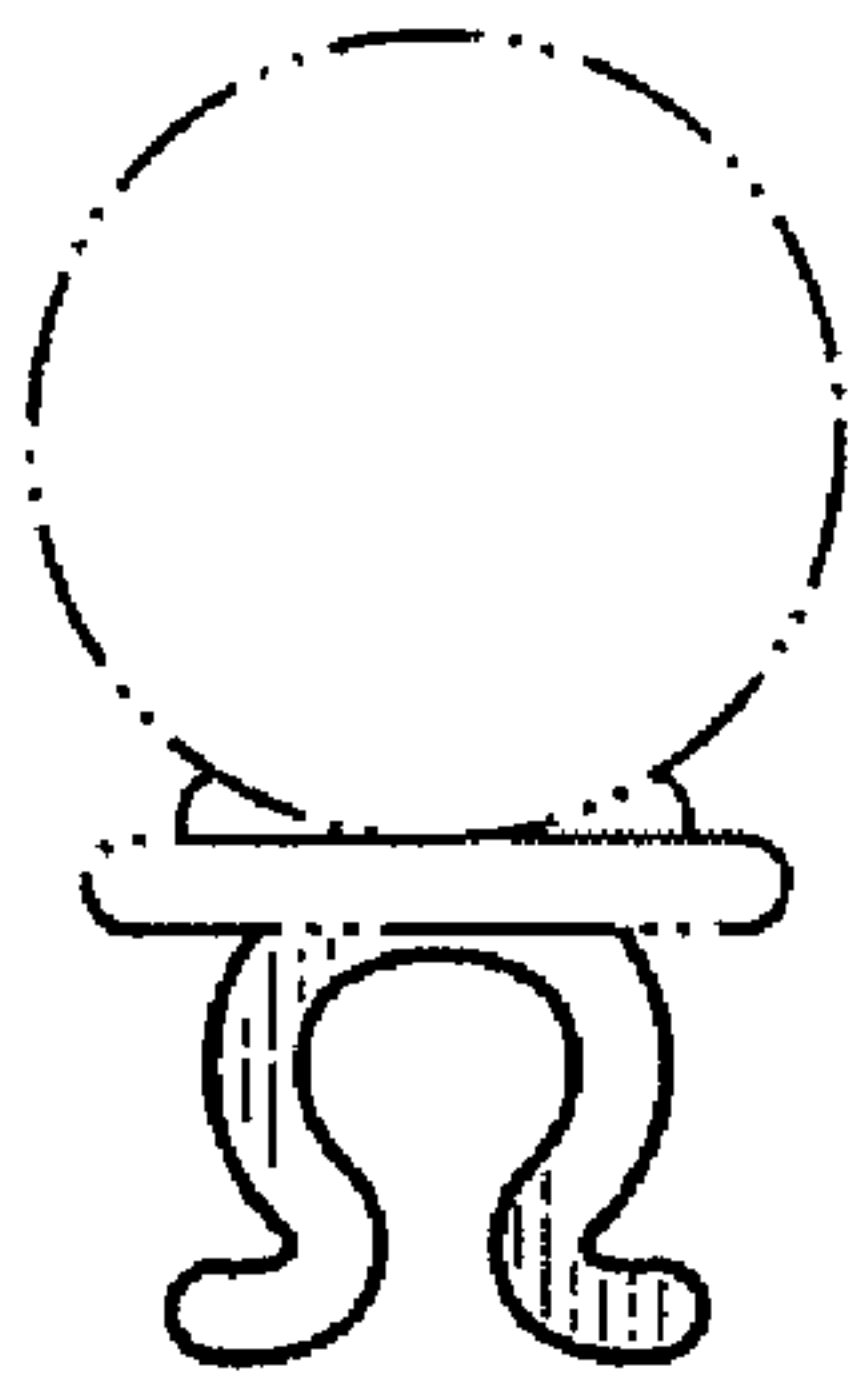


FIG. 2

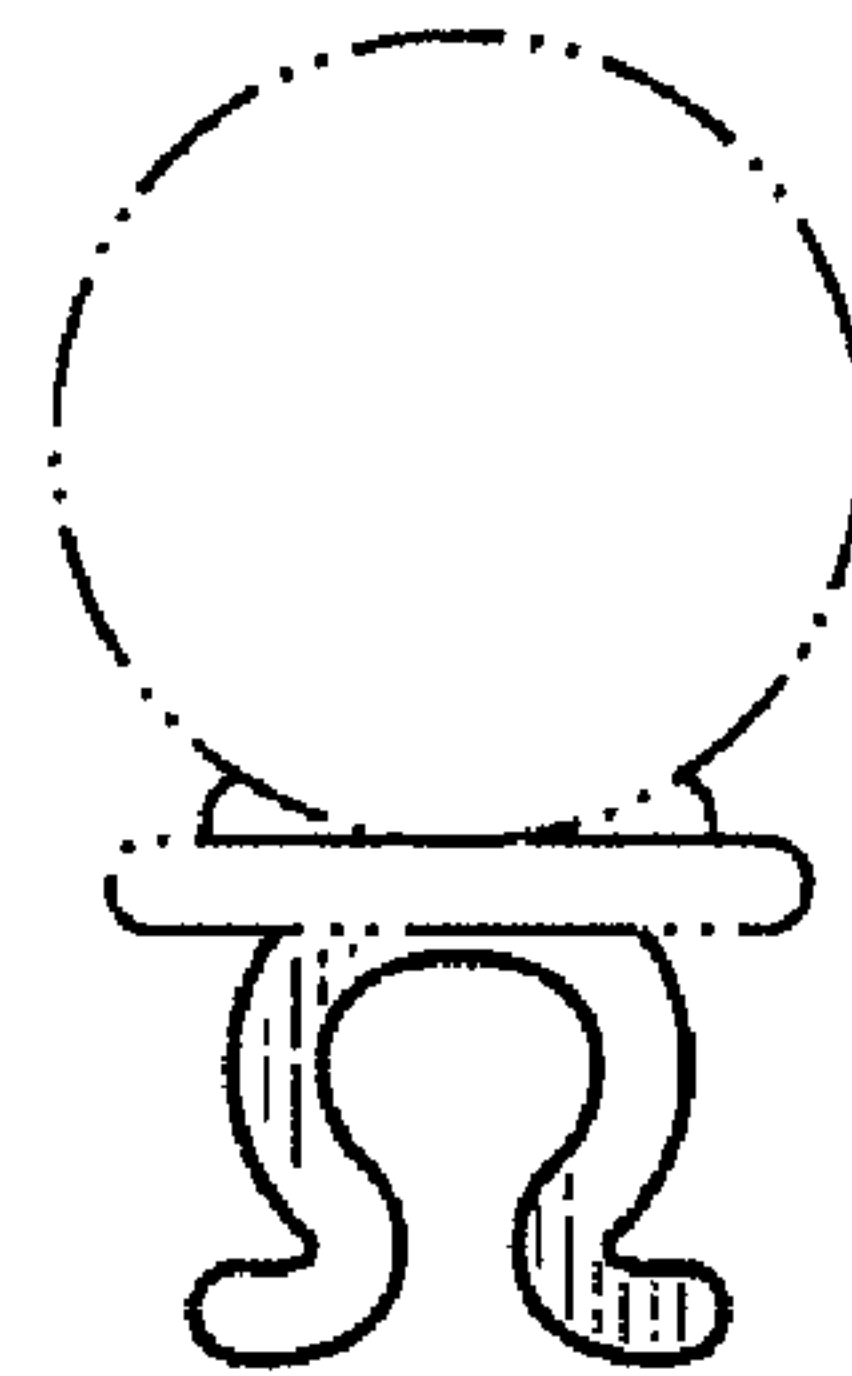


FIG. 3

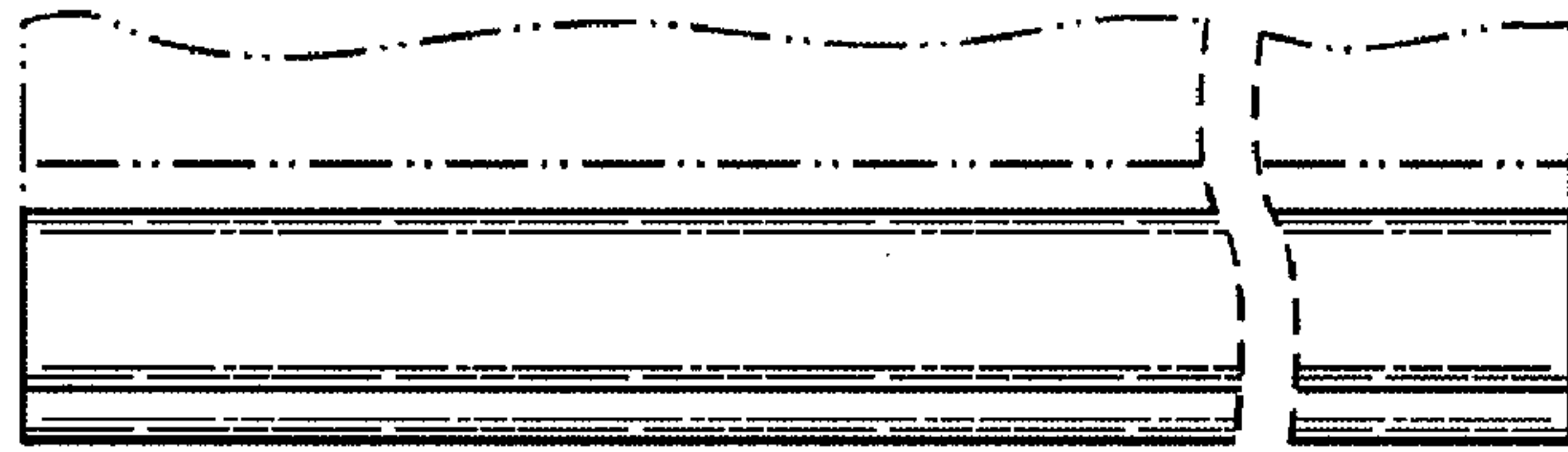


FIG. 4

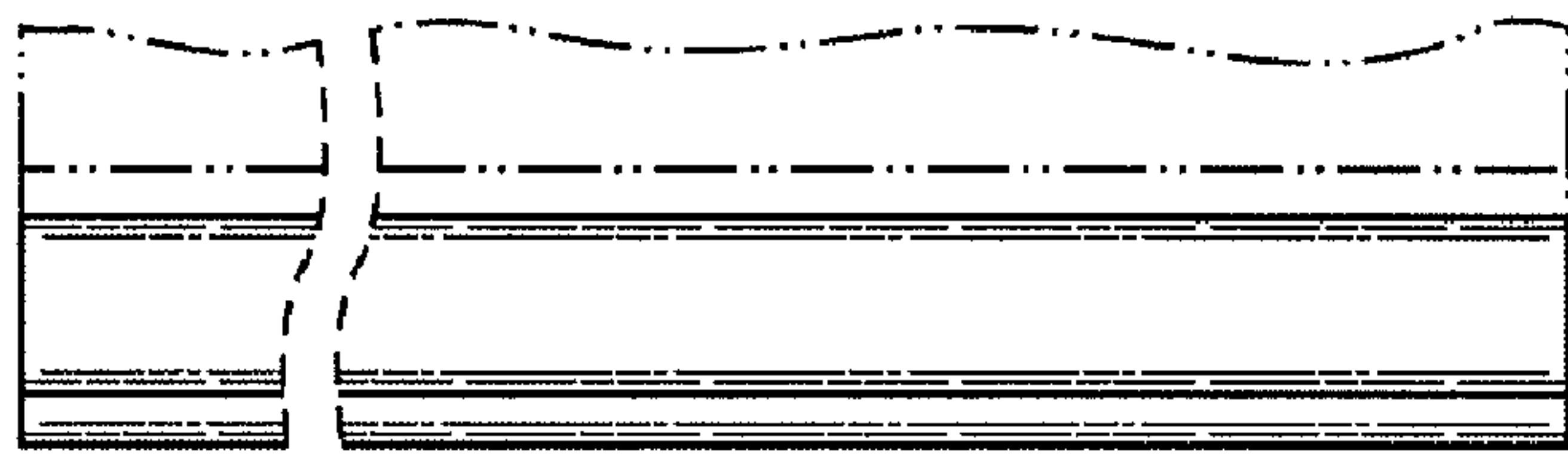


FIG. 5

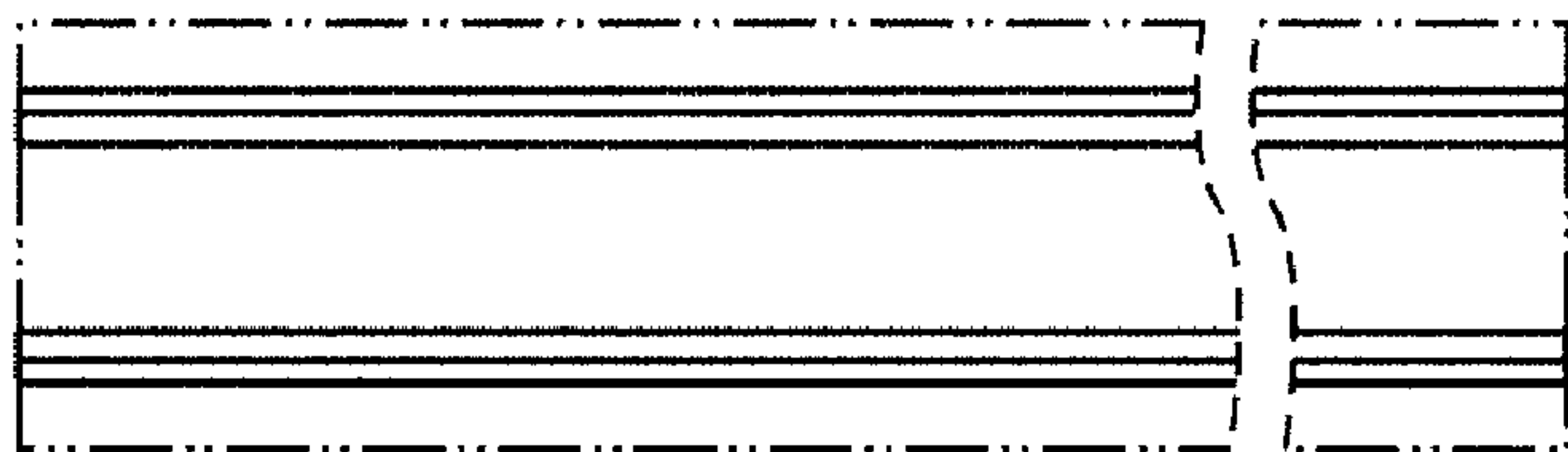


FIG. 6

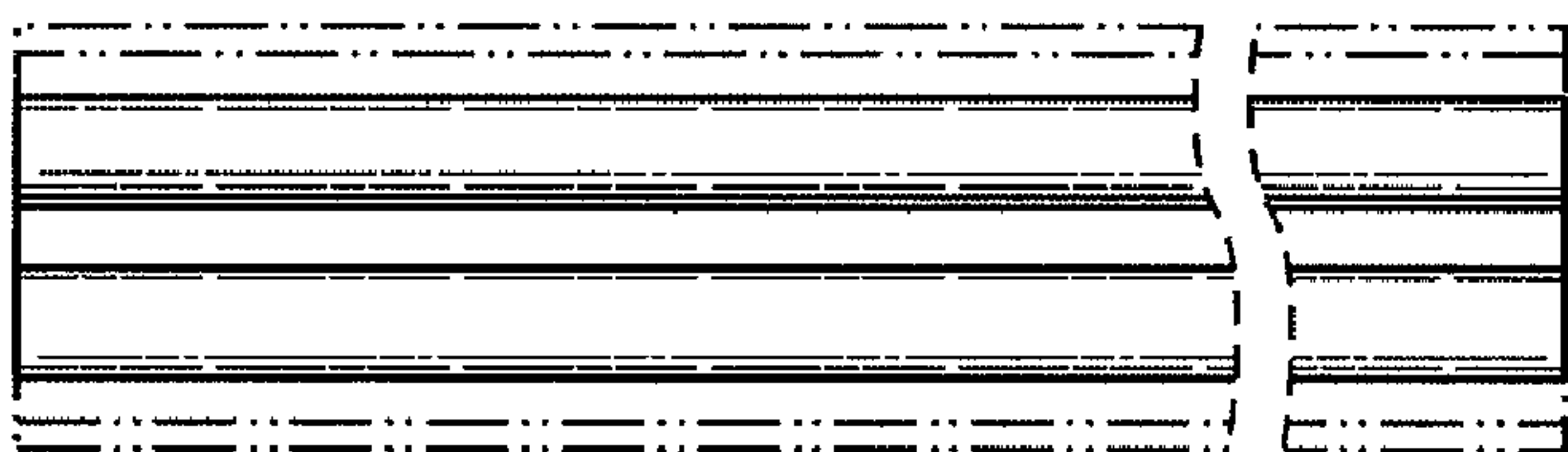


FIG. 7