



US00D569994S

(12) **United States Design Patent** (10) **Patent No.:** **US D569,994 S**
Platta et al. (45) **Date of Patent:** **** May 27, 2008**

(54) **WINDOW SHUTTER PANEL**

(75) Inventors: **Scott D. Platta**, Wausau, WI (US);
Ronald L. Swapp, Solvang, CA (US);
Georgine M. Zillman, Wausau, WI (US)

(73) Assignee: **Apogee Wausau Group, Inc.**, Wausau, WI (US)

(**) Term: **14 Years**

(21) Appl. No.: **29/260,681**

(22) Filed: **May 30, 2006**

(51) **LOC (8) Cl.** **25-02**

(52) **U.S. Cl.** **D25/47**

(58) **Field of Classification Search** D25/49,
D25/47; 52/473, 656.7, 783.12; 49/74.1,
49/80.1, 73.1; 160/104, 113, 84.07, 84.01
See application file for complete search history.

(56) **References Cited**

U.S. PATENT DOCUMENTS

4,299,070	A	11/1981	Oltmanns et al.	
5,348,790	A	9/1994	Ben-Zvi et al.	
D366,943	S	2/1996	Sheehy	
D384,421	S	9/1997	DiGiorgio	
5,673,524	A	10/1997	Gailey	
5,783,286	A	7/1998	DiNicola	
5,898,701	A	4/1999	Johnson	
6,219,985	B1	4/2001	Hsu	
D442,272	S	5/2001	Gabriele	
D449,121	S	10/2001	Hunter et al.	
D453,046	S *	1/2002	Ohanesian	D25/138
6,401,395	B2	6/2002	Gabriele	
D472,328	S	3/2003	Wenrick et al.	
D472,332	S *	3/2003	Wenrick et al.	D25/119
D472,977	S *	4/2003	Griffiths	D25/47
6,739,106	B2	5/2004	Curatolo	

* cited by examiner

Primary Examiner—Doris Clark

(74) *Attorney, Agent, or Firm*—Wendy Peterson; Dorsey & Whitney LLP

(57) **CLAIM**

The ornamental design for a window shutter panel, as shown and described.

DESCRIPTION

The design is for a window shutter panel for use alone or for connection to one or more adjacent window shutter panels via a connection means along the top and bottom edges of the panels.

FIG. 1 is a perspective view of the front of a window shutter panel showing the design.

FIG. 2 is a perspective view of the rear of a window shutter panel showing the design.

FIG. 3 is an elevational view of one side edge of the design, the opposite side edge being a mirror image thereof.

FIG. 4 is an elevational view of the front of the design shown in FIG. 1.

FIG. 5 is an elevational view of the rear of the design shown in FIG. 2.

FIG. 6 is an elevational bottom view of the design.

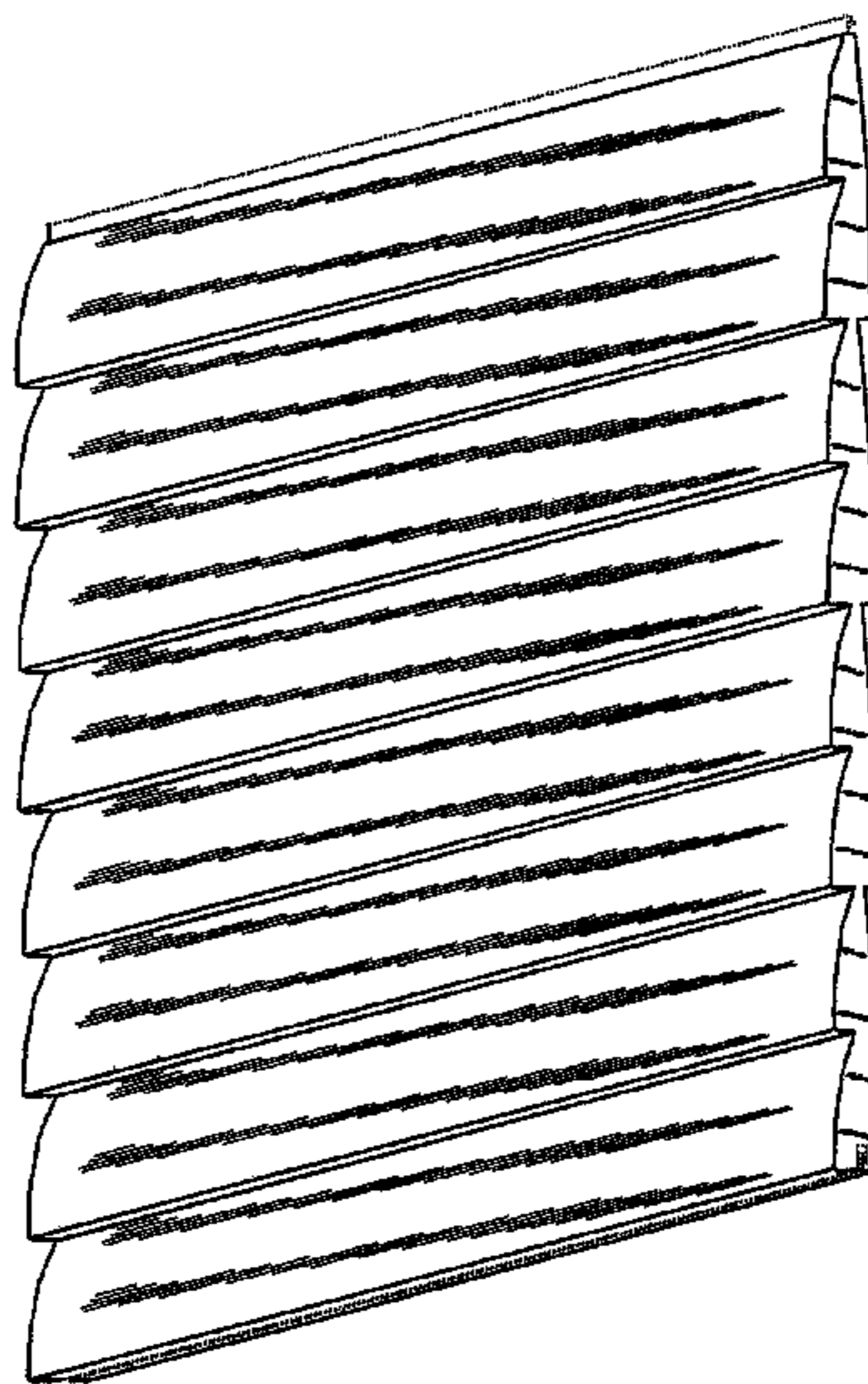
FIG. 7 is an elevational top view of the design.

FIG. 8 is an enlarged front perspective view of the window shutter panel broken in the center for ease of illustration; and,

FIG. 9 is an enlarged rear perspective view of window shutter panel broken in the center for ease of illustration.

Such connection means is shown in the drawings in broken lines for illustrative purposes only and forms no part of the claimed design.

1 Claim, 8 Drawing Sheets



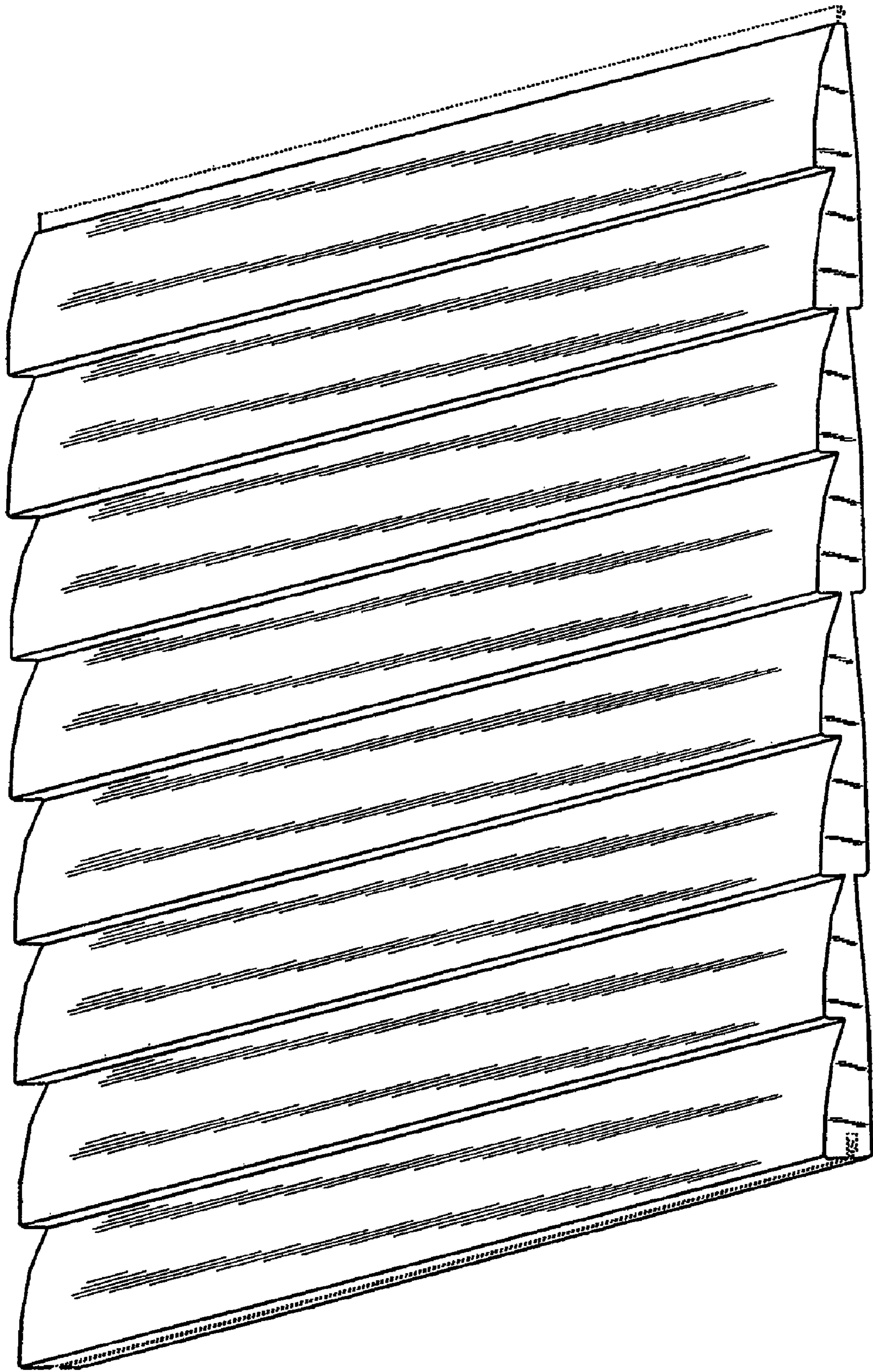


FIG. 1

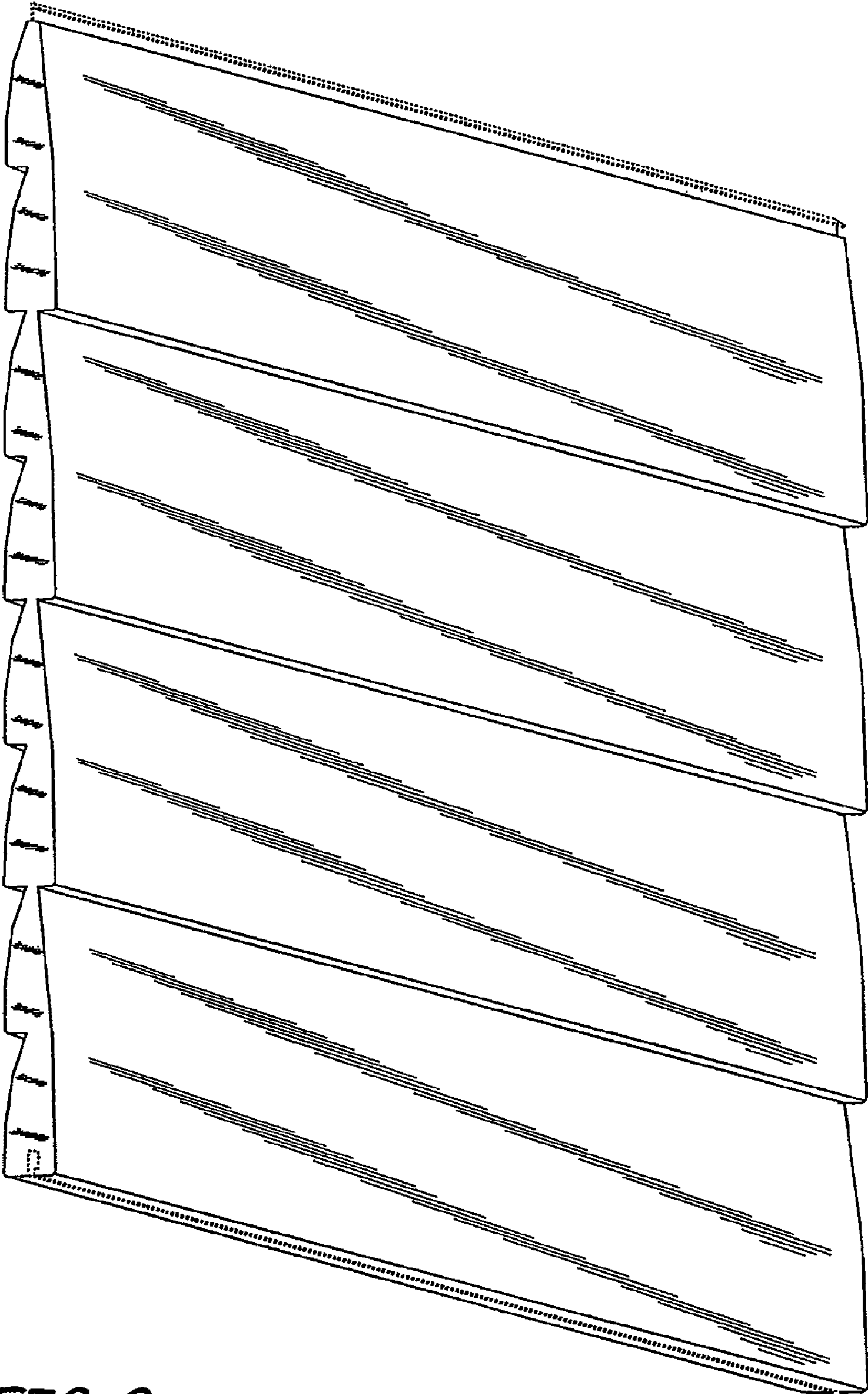


FIG. 2



FIG. 3

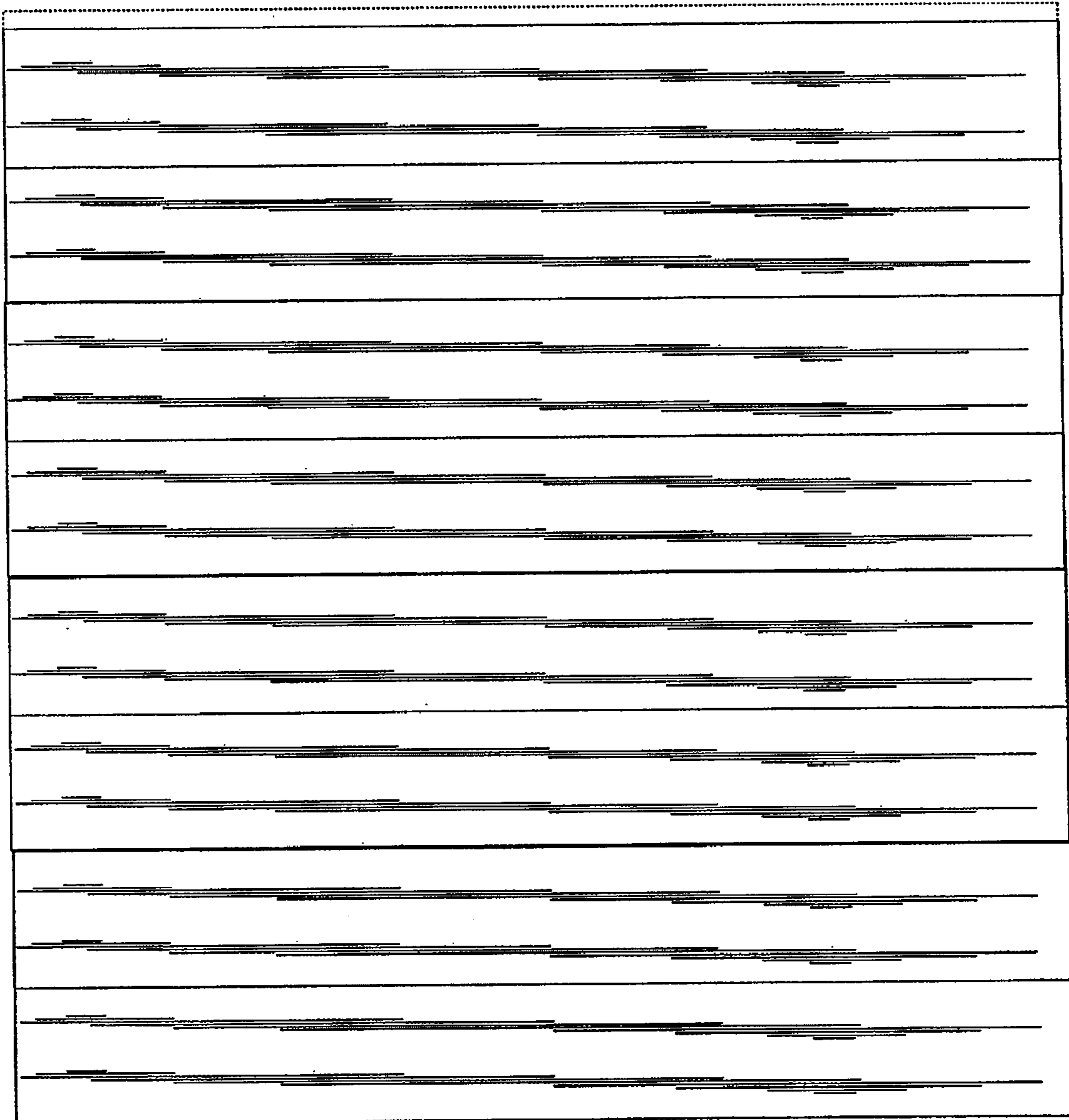


FIG. 4

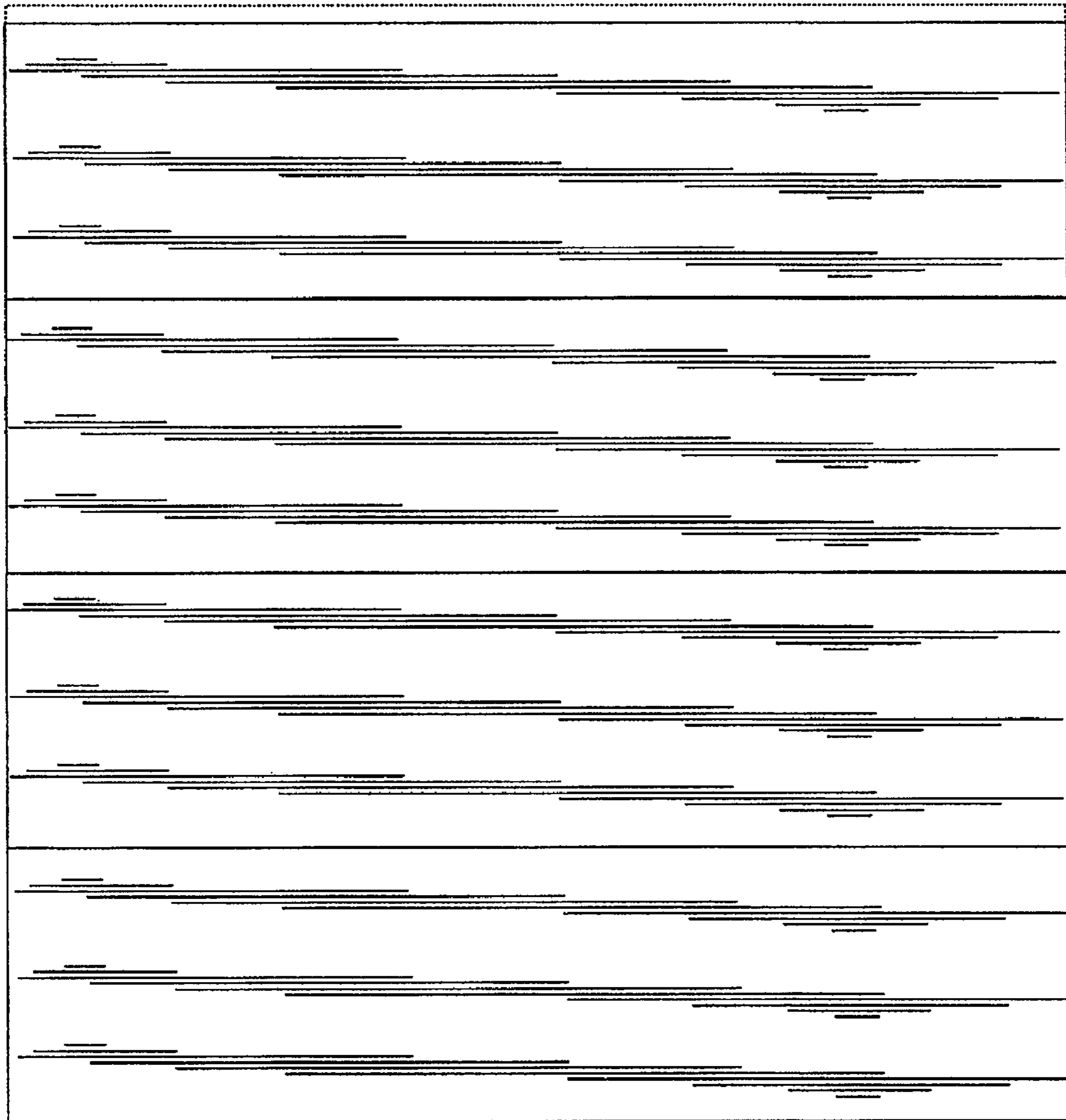


FIG. 5



FIG. 6



FIG. 7

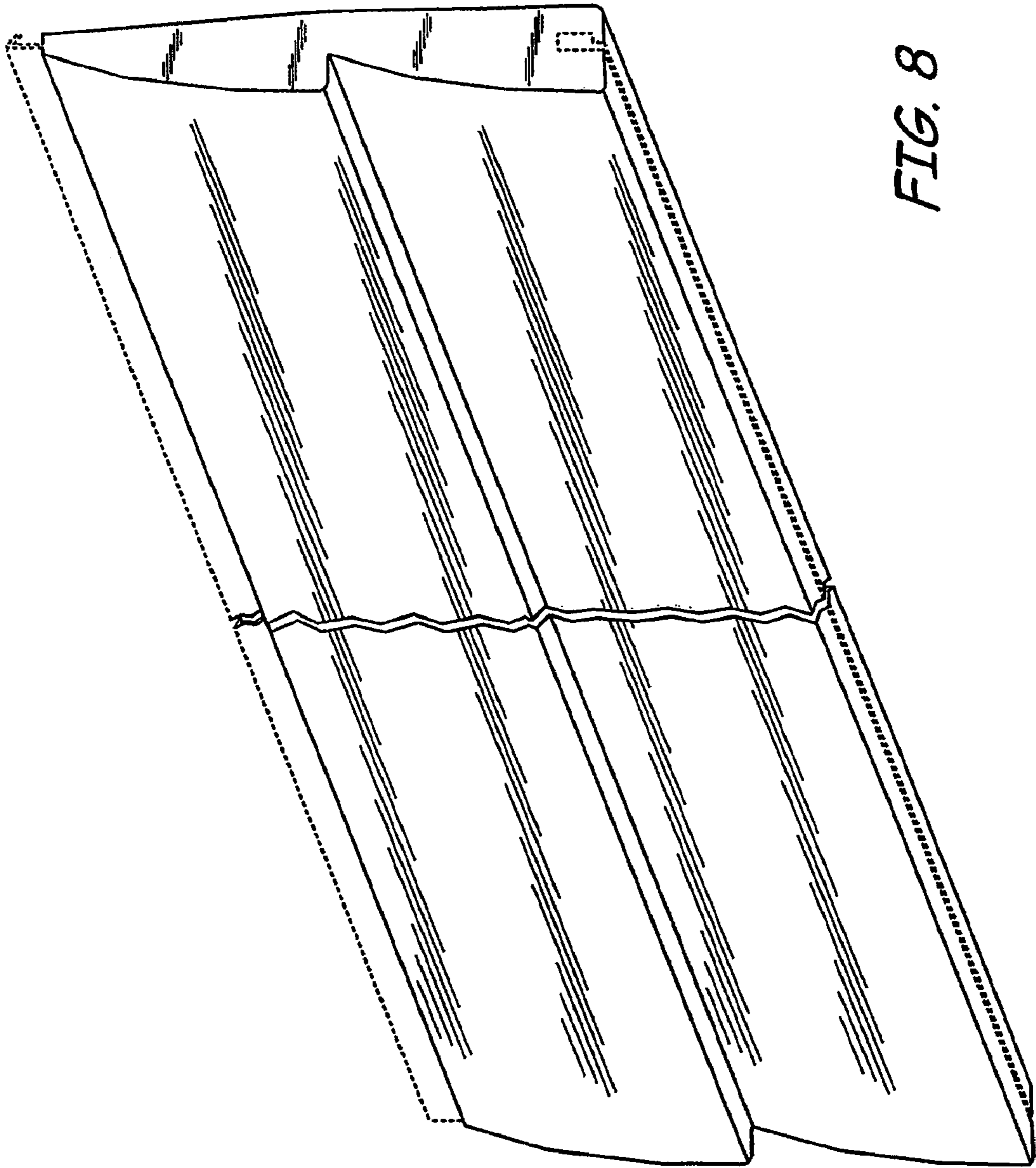


FIG. 8

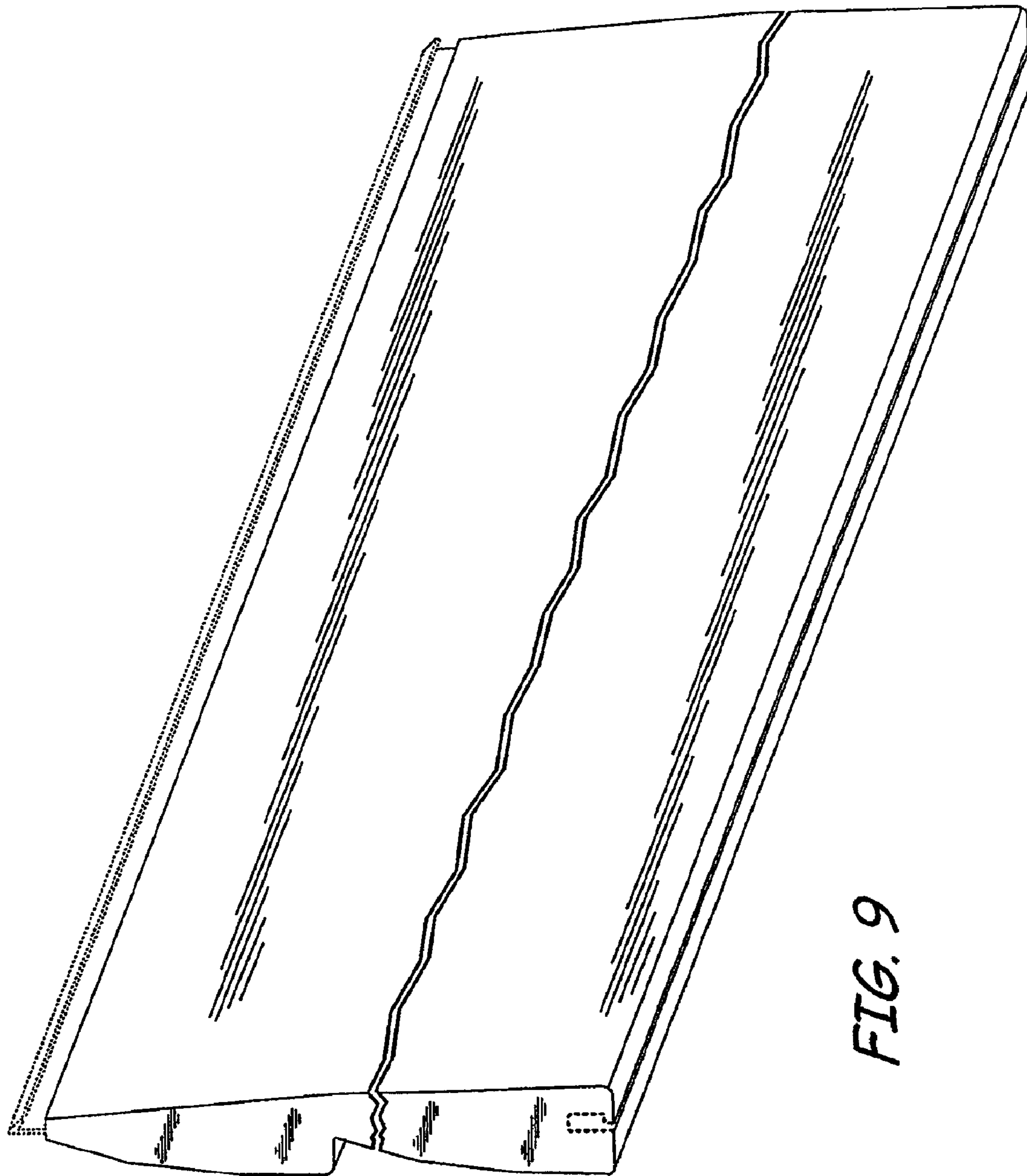


FIG. 9