

US00D569988S

(12) **United States Design Patent**
Koop

(10) **Patent No.:** **US D569,988 S**

(45) **Date of Patent:** **** May 27, 2008**

(54) **MIXER FOR LABORATORIES**

D258,085 S * 1/1981 Porteous D24/221
D288,600 S * 3/1987 Vander Hout et al. D24/217
D364,249 S * 11/1995 Cannata-Nowell D24/220

(75) Inventor: **Norbert Koop**, Hamburg (DE)

* cited by examiner

(73) Assignee: **Eppendorf AG**, Hamburg (DE)

Primary Examiner—Louis S Zarfes

(**) Term: **14 Years**

Assistant Examiner—Anhdao Doan

(21) Appl. No.: **29/262,575**

(74) *Attorney, Agent, or Firm*—White & Case LLP

(22) Filed: **Jul. 5, 2006**

(57) **CLAIM**

(30) **Foreign Application Priority Data**

The ornamental design for mixer for laboratories, as shown and described.

Apr. 10, 2006 (EM) 000511530-0001

DESCRIPTION

(51) **LOC (8) Cl.** **24-01**

FIG. 1 is a perspective view of a mixer for laboratories embodying our invention.

(52) **U.S. Cl.** **D24/220**

(58) **Field of Classification Search** D24/216–230;
366/209–213, 220, 602, 204, 205; D7/376,
D7/378; 336/129, 130

FIG. 2 is a top view of a mixer for laboratories embodying our invention of FIG. 1.

See application file for complete search history.

FIG. 3 is a front view of a mixer for laboratories embodying our invention of FIG. 1; and,

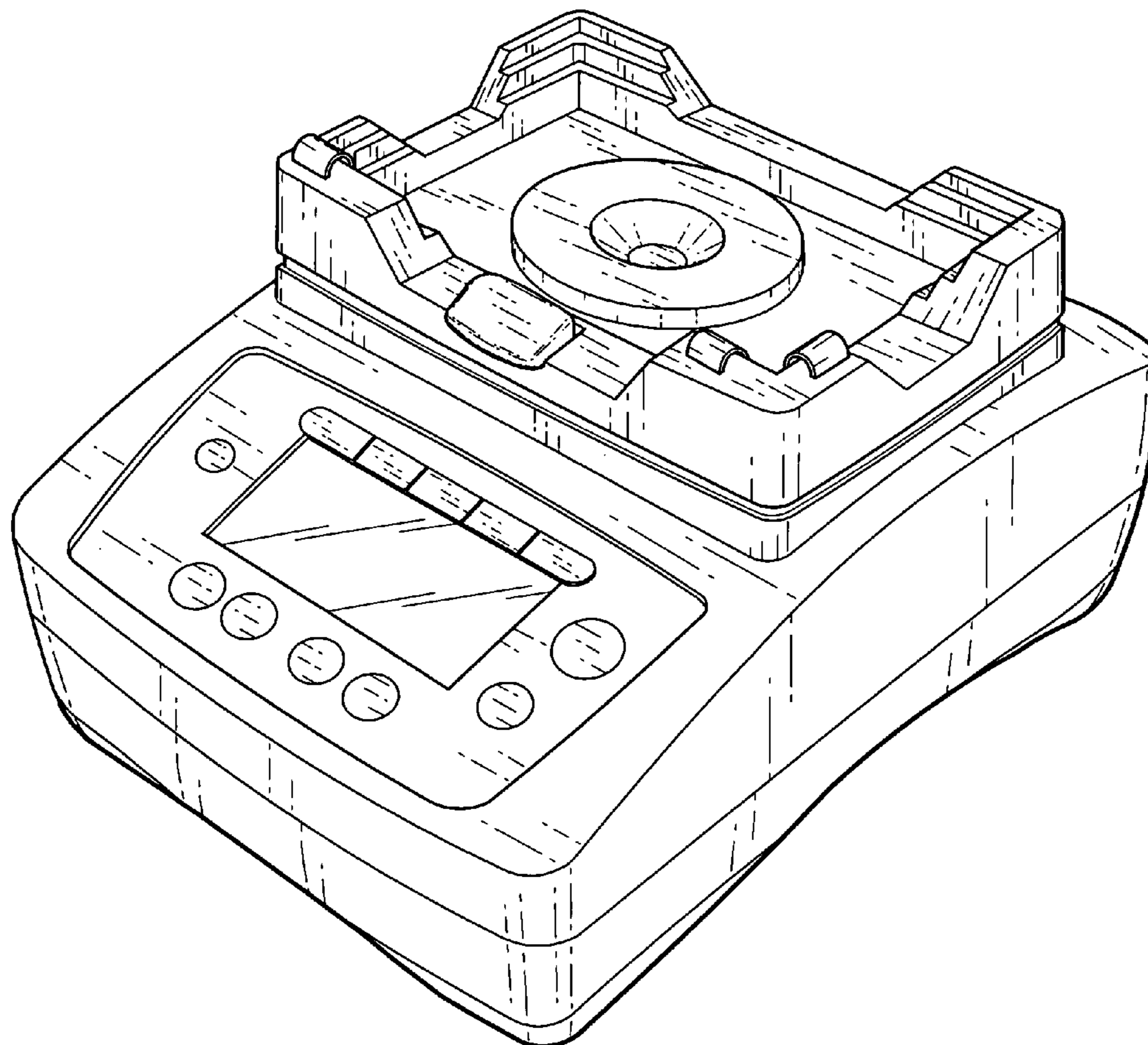
(56) **References Cited**

FIG. 4 is a right side view of a mixer for laboratories embodying our invention of FIG. 1.

U.S. PATENT DOCUMENTS

D233,244 S * 10/1974 Quandt D24/220
D256,049 S * 7/1980 Thomas D24/218

1 Claim, 4 Drawing Sheets



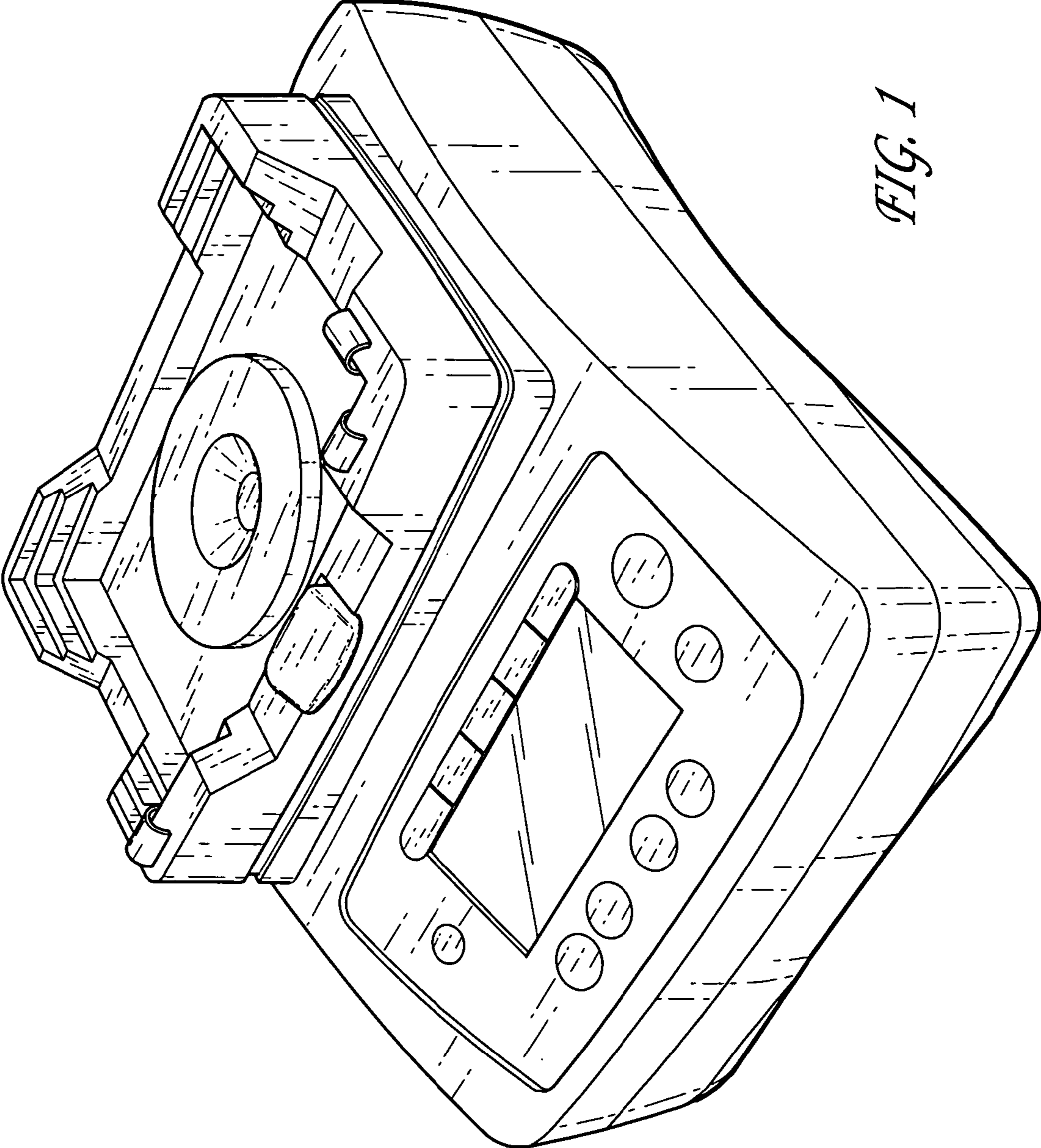


FIG. 1

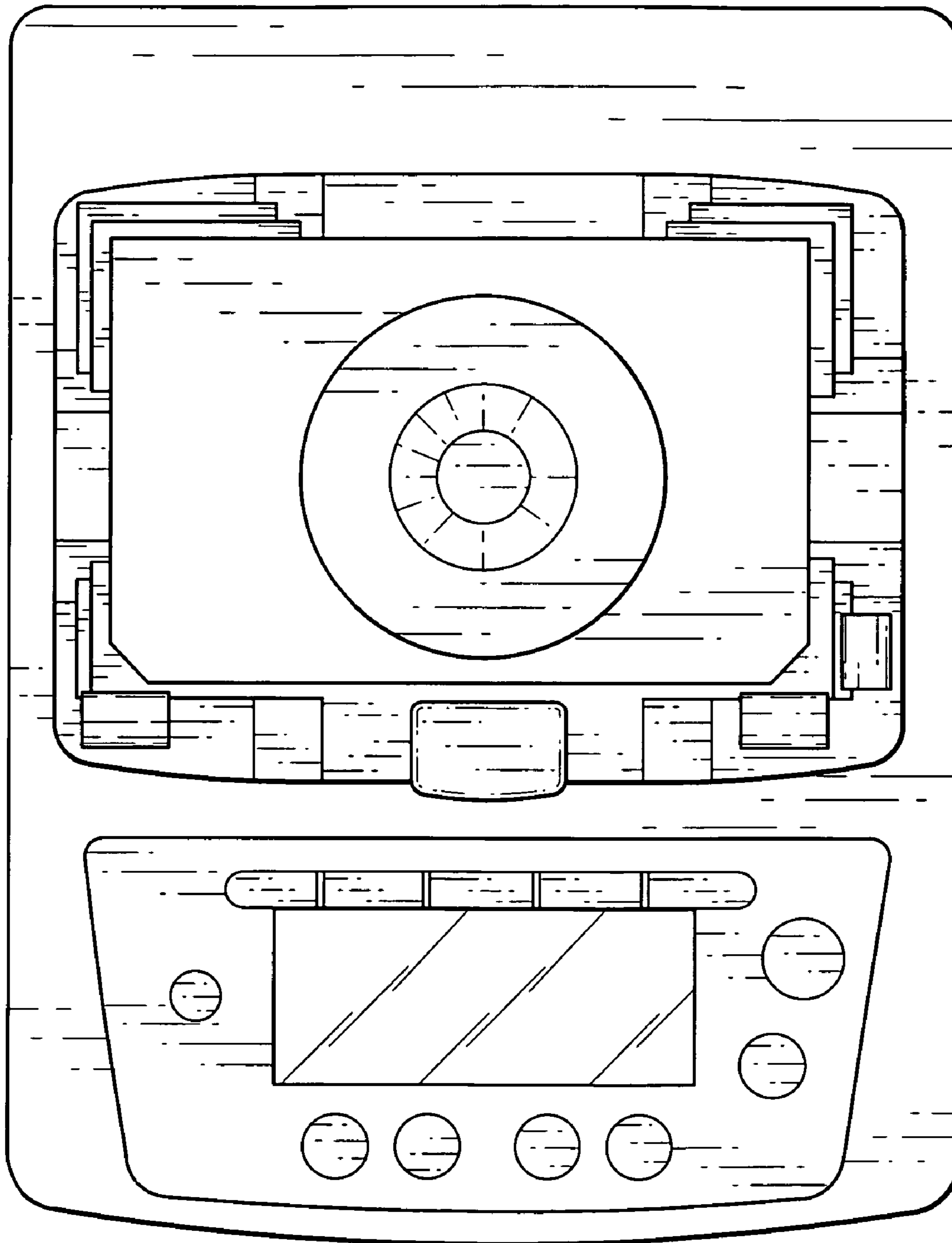


FIG. 2

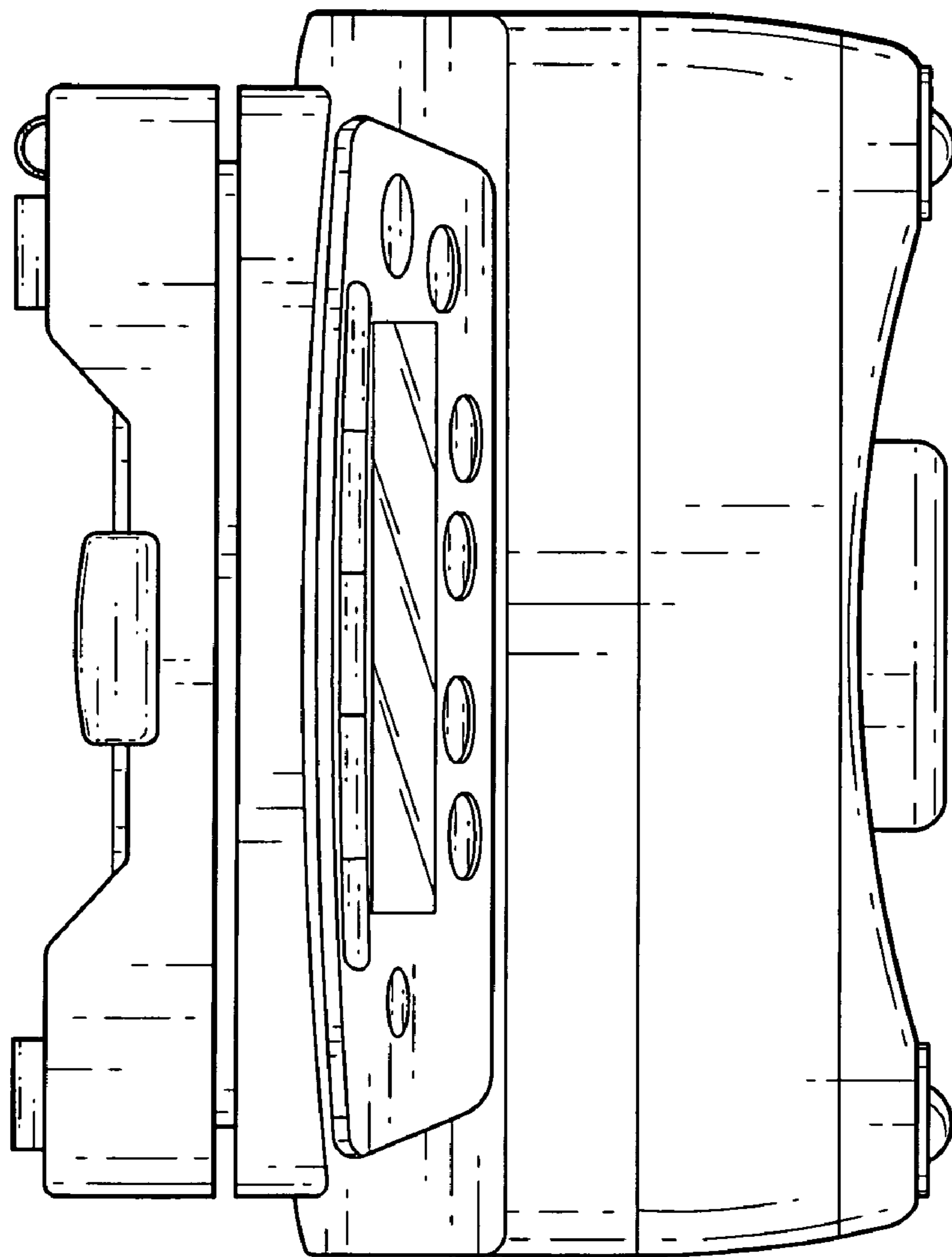


FIG. 3

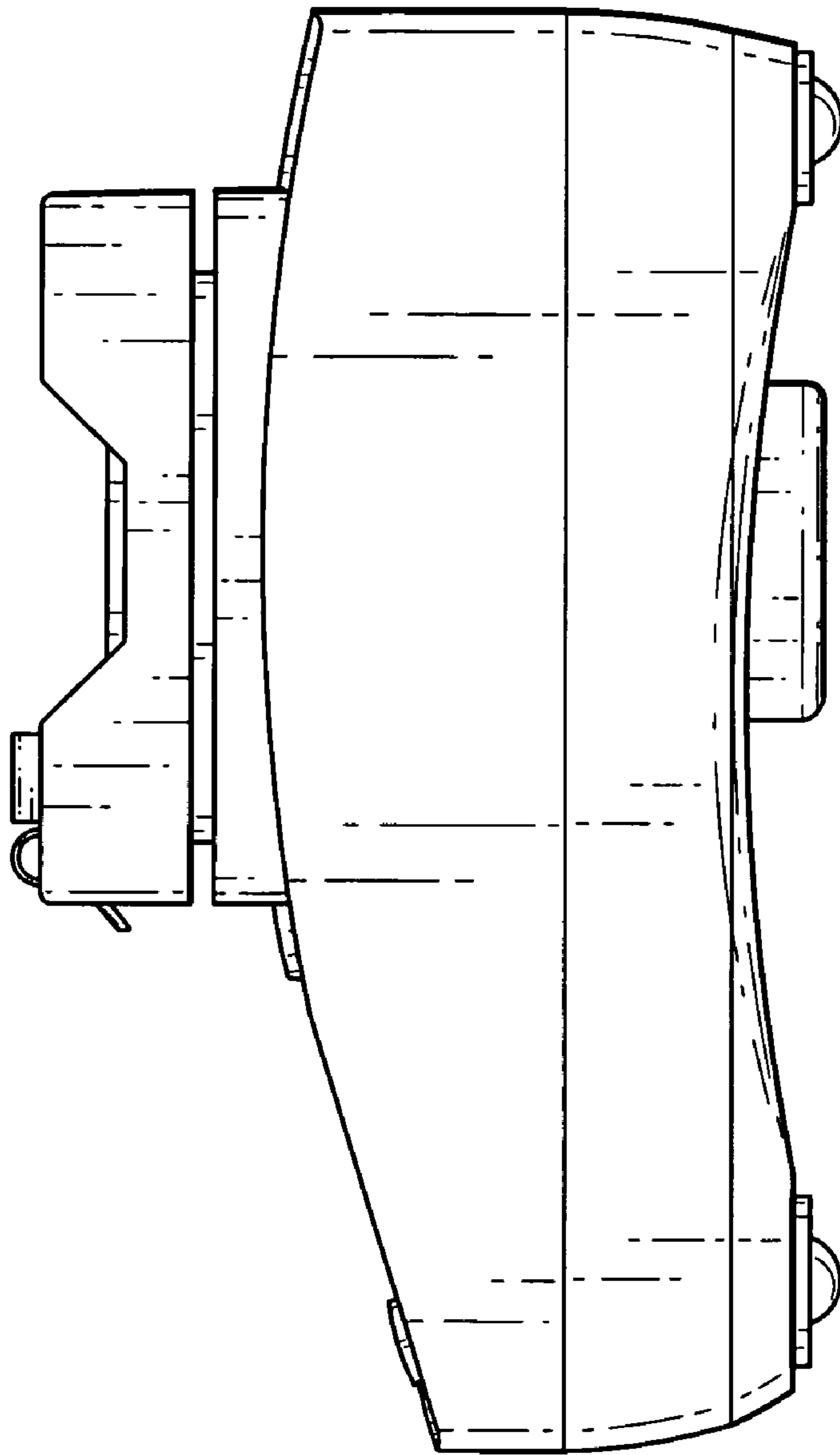


FIG. 4